



US00D785568S

(12) **United States Design Patent** (10) **Patent No.:** **US D785,568 S**
Reif et al. (45) **Date of Patent:** **** May 2, 2017**

(54) **GENERATOR ENCLOSURE**
(71) Applicant: **Kohler Co.**, Kohler, WI (US)
(72) Inventors: **Gary F. Reif**, Sheboygan, WI (US);
Jeffrey J. Neis, Sheboygan, WI (US)
(73) Assignee: **Kohler Co.**, Kohler, WI (US)
(**) Term: **15 Years**
(21) Appl. No.: **29/528,982**
(22) Filed: **Jun. 2, 2015**
(51) **LOC (10) Cl.** **13-01**
(52) **U.S. Cl.**
USPC **D13/122**
(58) **Field of Classification Search**
USPC 123/2, 3; 290/1 A, 1 B, 1 R; 310/89;
322/100; 361/730; D3/201, 272, 276,
D3/279, 294; D6/432, 440; D13/101,
D13/111, 112, 113, 114, 115, 116, 118,
D13/122, 184, 199; D23/351, 395
CPC F02B 63/04; H02K 5/00; H02K 7/1815;
F16M 3/00
See application file for complete search history.

(56) **References Cited**
U.S. PATENT DOCUMENTS

D27,433 S	7/1897	Heath	
D103,072 S	2/1937	Morgan	
D138,383 S	7/1944	Whitesell	
D158,149 S	4/1950	Sundberg	
D165,225 S	11/1951	Goodman	
D249,788 S	10/1978	Nanjo	
D295,400 S	4/1988	Wung	
4,835,405 A	5/1989	Clancey et al.	
D314,743 S	2/1991	Ishii	
D318,874 S	8/1991	Pushelberg et al.	
D335,862 S	5/1993	Kusunoki et al.	
D338,469 S	8/1993	Alden et al.	
D339,102 S	9/1993	Boyd	
D361,220 S *	8/1995	Cacciola D3/294

D367,652 S 3/1996 Beaumont
D382,853 S 8/1997 Crawford
D406,233 S * 3/1999 Kaplan D9/423
(Continued)

OTHER PUBLICATIONS

Office Action from the United States Patent and Trademark Office for U.S. Appl. No. 29/516,296 dated Jul. 10, 2015 (14 pages).
(Continued)

Primary Examiner — Derrick Holland
Assistant Examiner — Jennifer O King
(74) *Attorney, Agent, or Firm* — Michael Best & Friedrich LLP

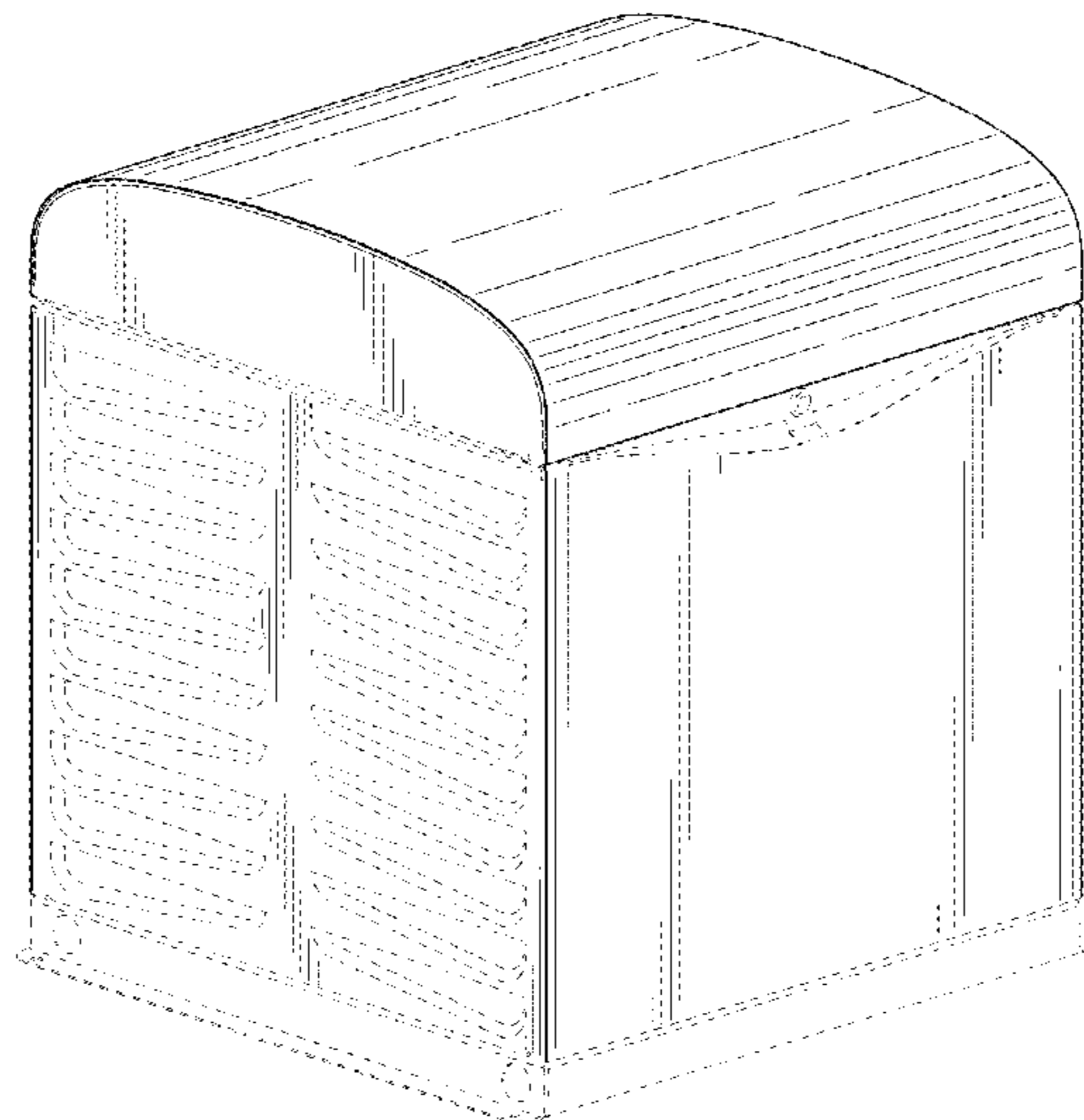
(57) **CLAIM**

We claim the ornamental design for a generator enclosure, as shown and described.

DESCRIPTION

FIG. 1 is a front perspective view of a generator enclosure. FIG. 2 is a rear perspective view of the generator enclosure shown in FIG. 1. FIG. 3 is a front view of the generator enclosure shown in FIG. 1. FIG. 4 is a rear view of the generator enclosure shown in FIG. 1. FIG. 5 is a right side view of the generator enclosure shown in FIG. 1. FIG. 6 is a left side view of the generator enclosure shown in FIG. 1; and, FIG. 7 is a top view of the generator enclosure shown in FIG. 1. The bottom view has no surface ornamentation and, therefore, has been omitted. The broken lines shown represent unclaimed subject matter and form no part of the claimed design.

1 Claim, 5 Drawing Sheets



(56)

References Cited

U.S. PATENT DOCUMENTS

D416,537 S 11/1999 Imai et al.
 D424,066 S 5/2000 Wheatley et al.
 D424,529 S 5/2000 Raspotnig
 D425,517 S 5/2000 Wheatley et al.
 D428,384 S * 7/2000 Maeyama D13/103
 D429,687 S 8/2000 Steiner et al.
 D429,916 S * 8/2000 Hurd D6/657
 6,124,567 A 9/2000 Feldhausen et al.
 D437,148 S * 2/2001 Base D27/189
 D446,183 S * 8/2001 Miyashita D13/103
 D454,388 S 3/2002 Mutchnik et al.
 D467,731 S * 12/2002 Pratt D3/273
 D470,103 S 2/2003 Nishida
 D486,161 S 2/2004 Greene
 D488,138 S 4/2004 Parsadayan et al.
 D505,766 S * 6/2005 Matthews D3/270
 D511,139 S 11/2005 Xiao
 D513,872 S * 1/2006 Moore D3/279
 D516,507 S 3/2006 Nushart et al.
 D517,009 S 3/2006 Xiao
 D522,770 S * 6/2006 Easton D6/657
 D523,806 S 6/2006 Symanzik et al.
 D525,047 S * 7/2006 Linder D6/663
 D531,176 S 10/2006 Ng et al.
 D545,505 S * 6/2007 Cicero D30/102
 D547,130 S * 7/2007 de Groote D7/609
 D555,116 S 11/2007 Schlegel
 D557,870 S 12/2007 MacMillan
 D564,450 S 3/2008 Gravlin et al.
 D566,042 S 4/2008 Yamasaki et al.

D572,658 S 7/2008 Yamamoto et al.
 D574,771 S 8/2008 Flanigan
 D584,251 S 1/2009 Lewis et al.
 D586,151 S * 2/2009 Roberts D6/667
 D588,061 S 3/2009 Bao et al.
 D588,063 S 3/2009 Lannoch
 D589,518 S 3/2009 Keith et al.
 D594,819 S 6/2009 Yamamoto et al.
 D624,878 S 10/2010 Uneo et al.
 D638,795 S 5/2011 Bechtel
 D654,023 S 2/2012 Kyle Ching Hao
 D662,055 S 6/2012 Little et al.
 D689,819 S * 9/2013 Olsson D13/110
 D696,185 S 12/2013 Azuma
 D715,048 S 10/2014 Donnelly et al.
 D723,803 S 3/2015 Thuma et al.
 D726,134 S 4/2015 Prendes
 D731,971 S 6/2015 Andren
 2003/0071465 A1 4/2003 Sugimoto et al.
 2006/0145550 A1 7/2006 Yamamoto et al.
 2008/0185801 A1 8/2008 Gravlin et al.

OTHER PUBLICATIONS

A 2010 norwall.com website excerpt depicting a Generac Guardian 14KW Generator, dated Apr. 15, 2010 (1 page).
 A 2010 norwall.com website excerpt depicting a Generac QP55 Generator, dated Apr. 15, 2010 (1 page).
 Notice of Allowance from the United States Patent and Trademark Office for U.S. Appl. No. 29/527,486 dated Dec. 21, 2016 (9 pages).

* cited by examiner

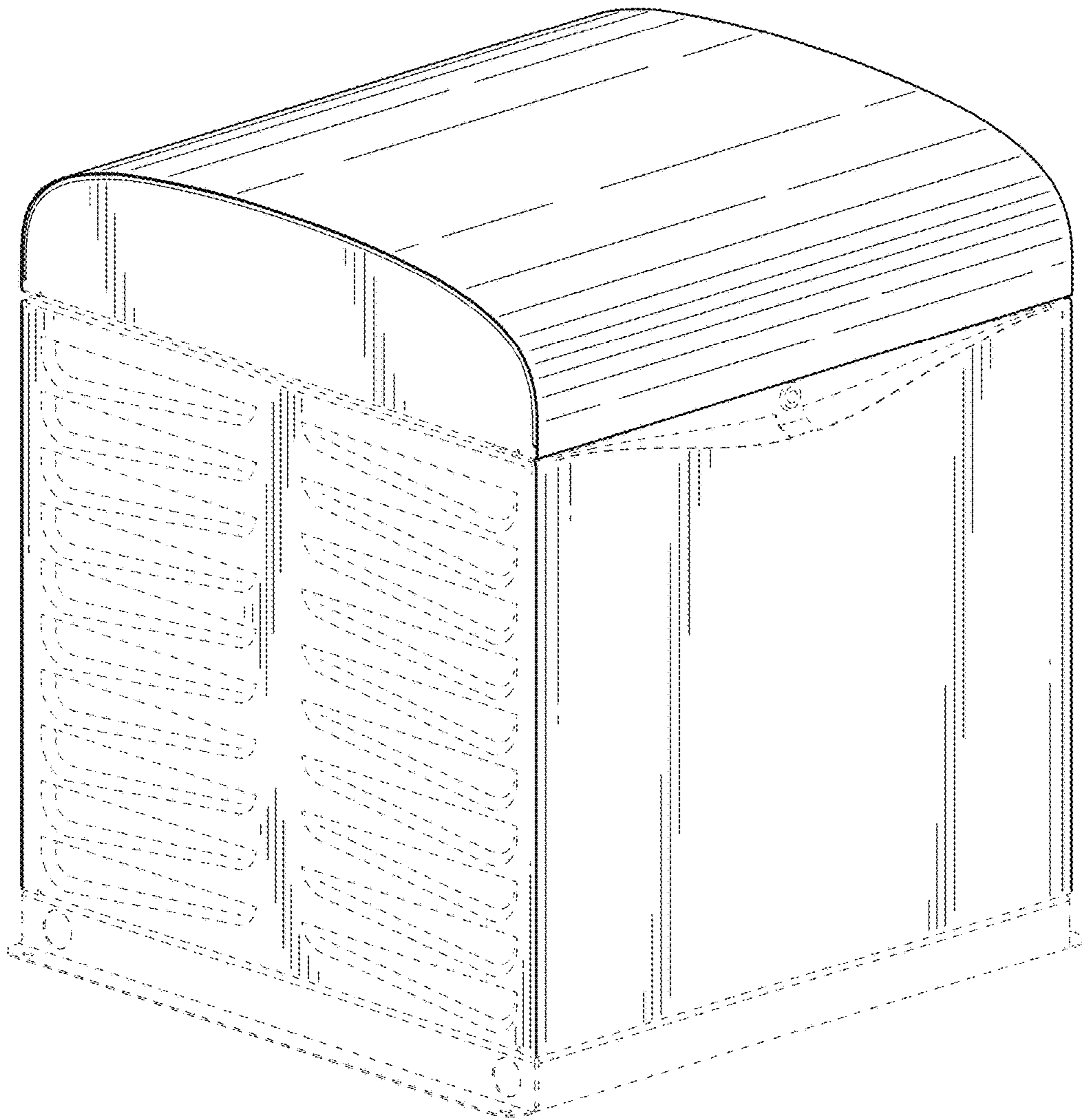


FIG. 1

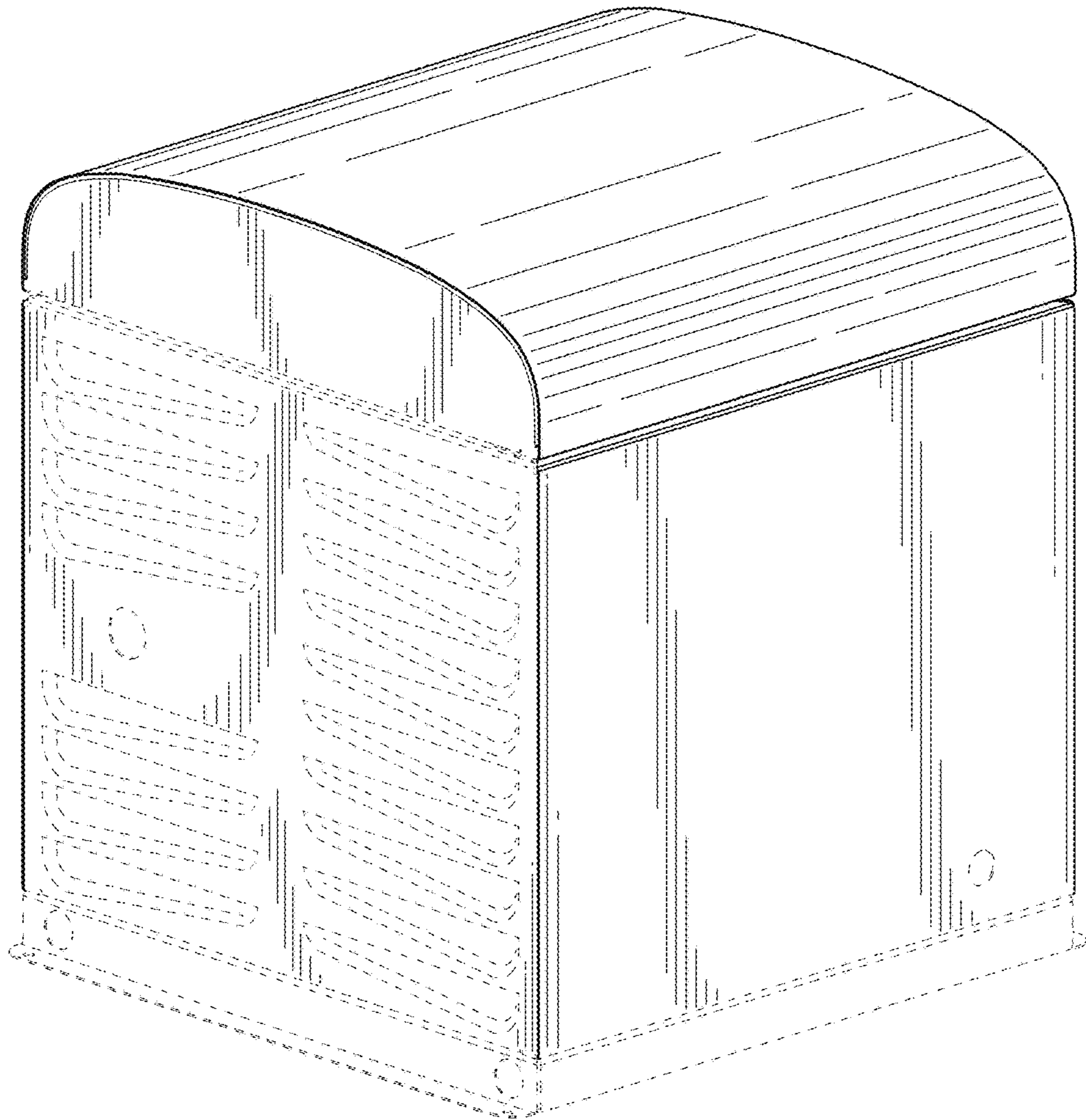


FIG. 2

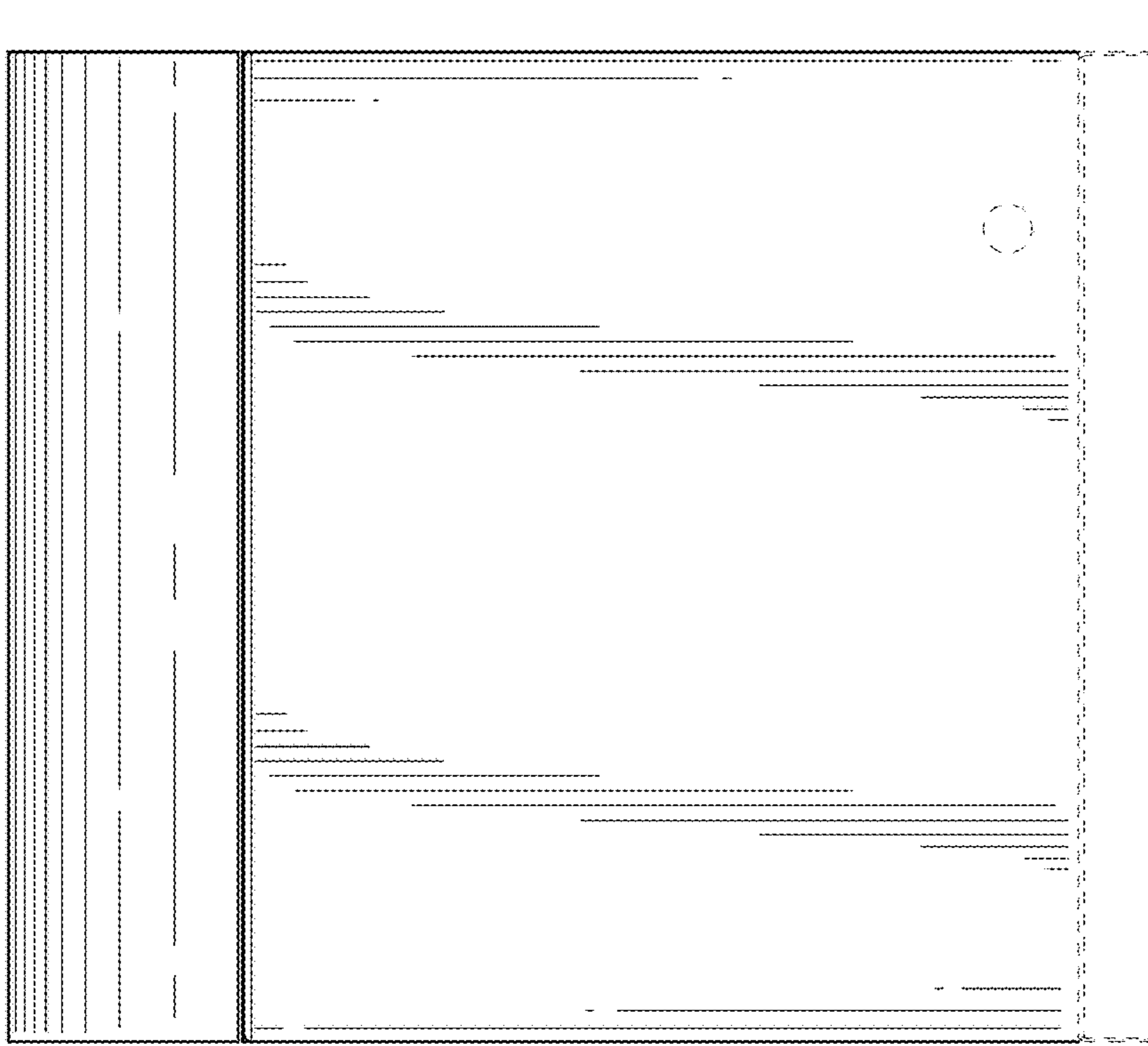


FIG. 4

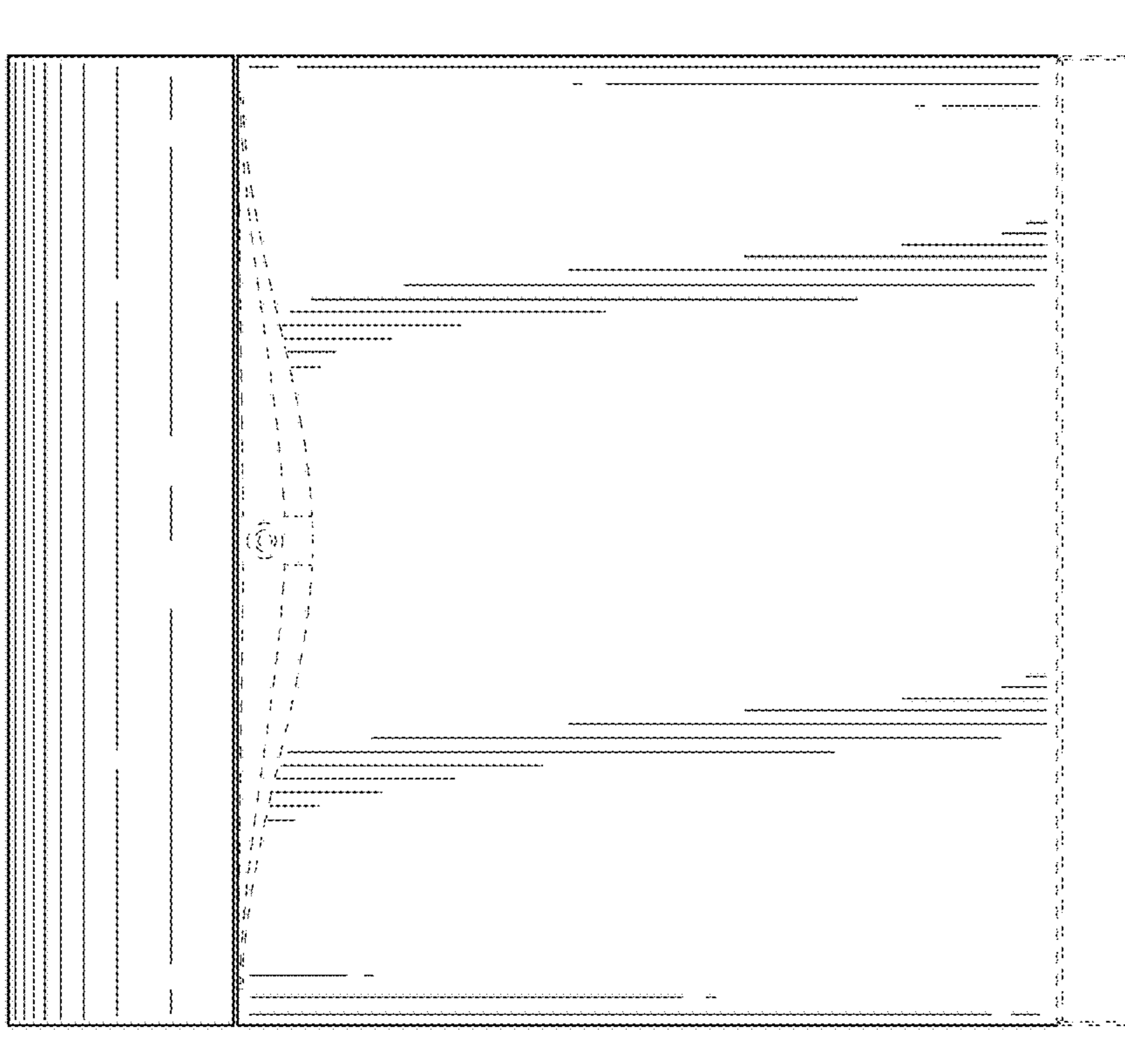


FIG. 3

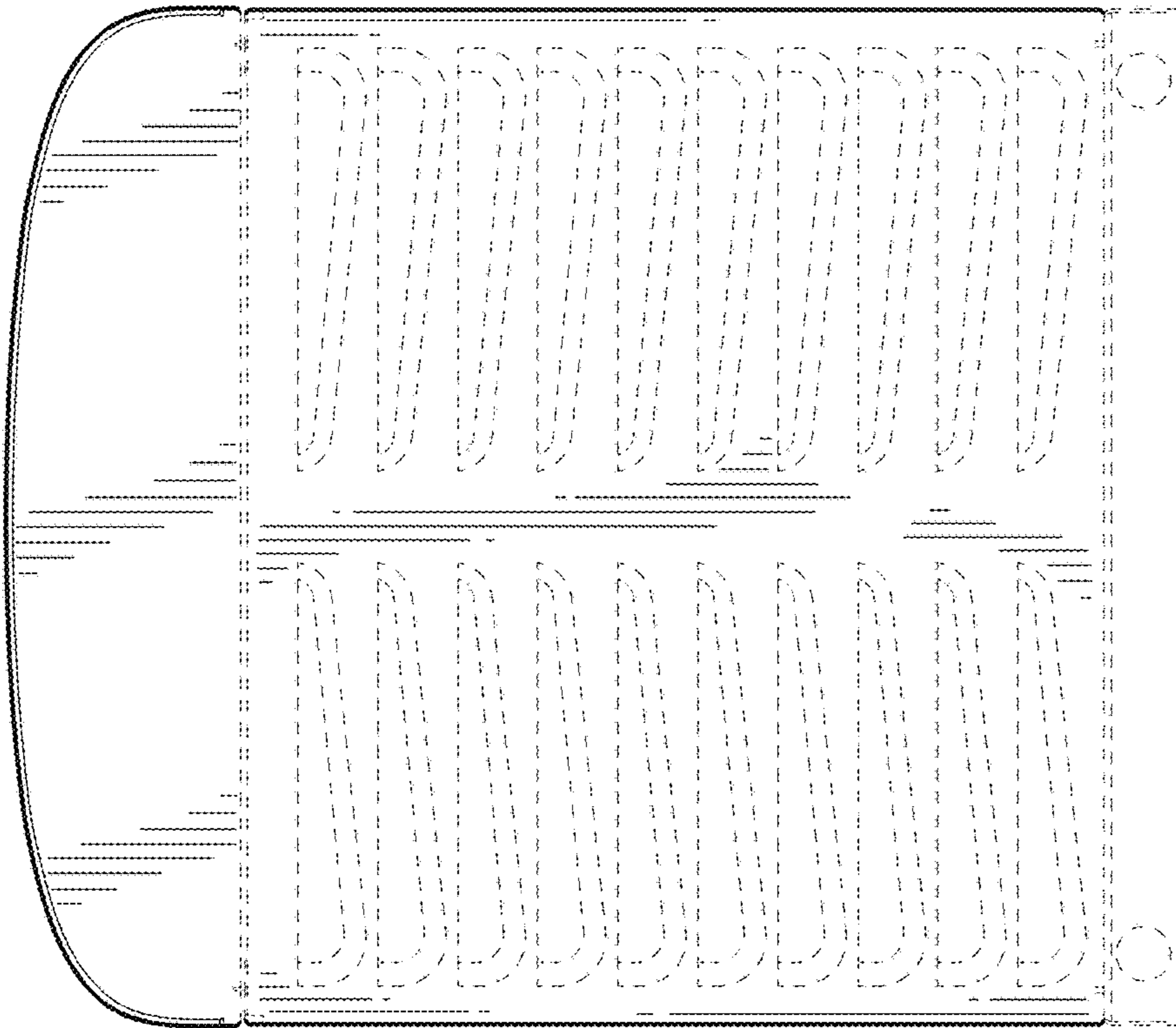


FIG. 5

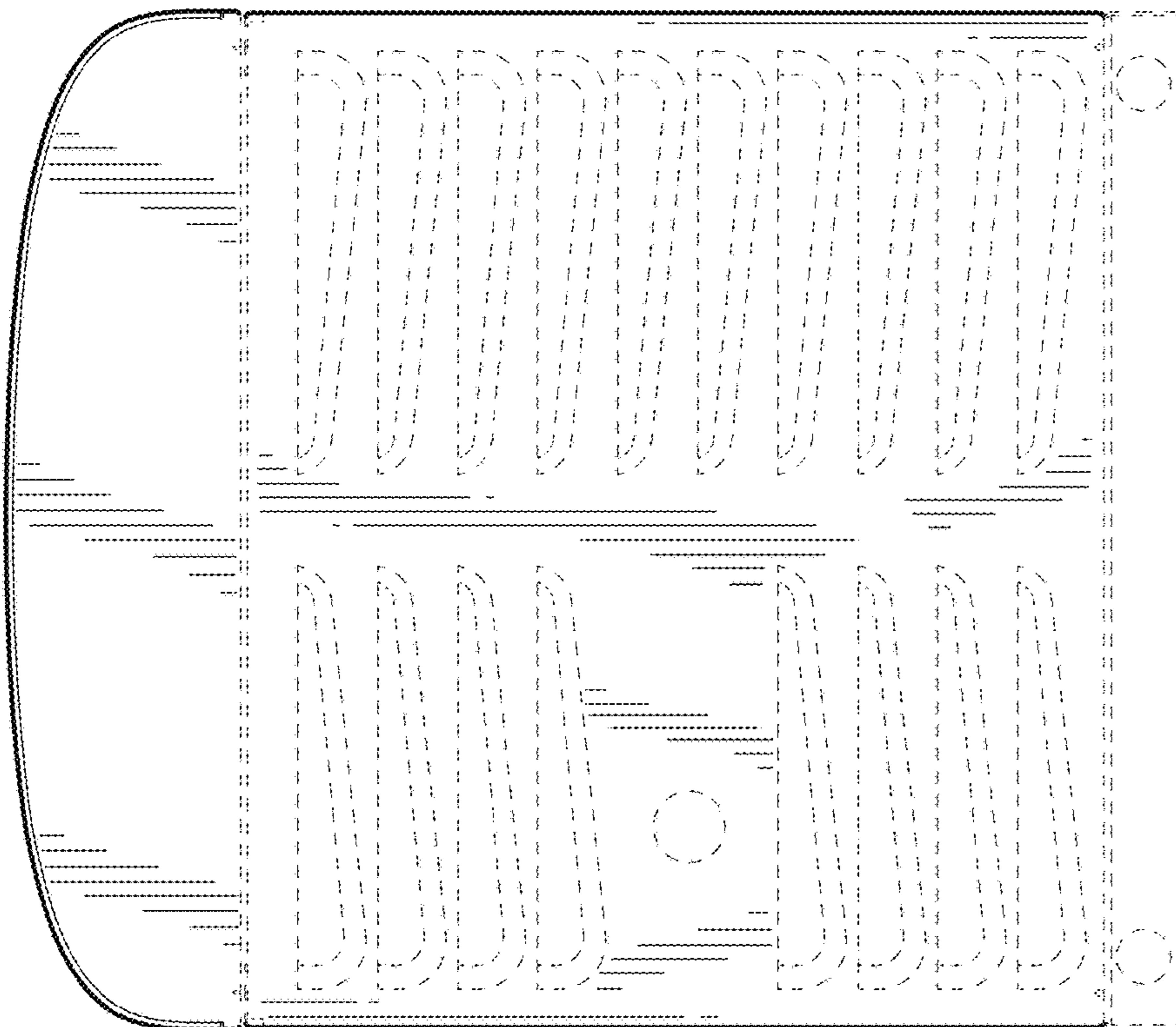


FIG. 6

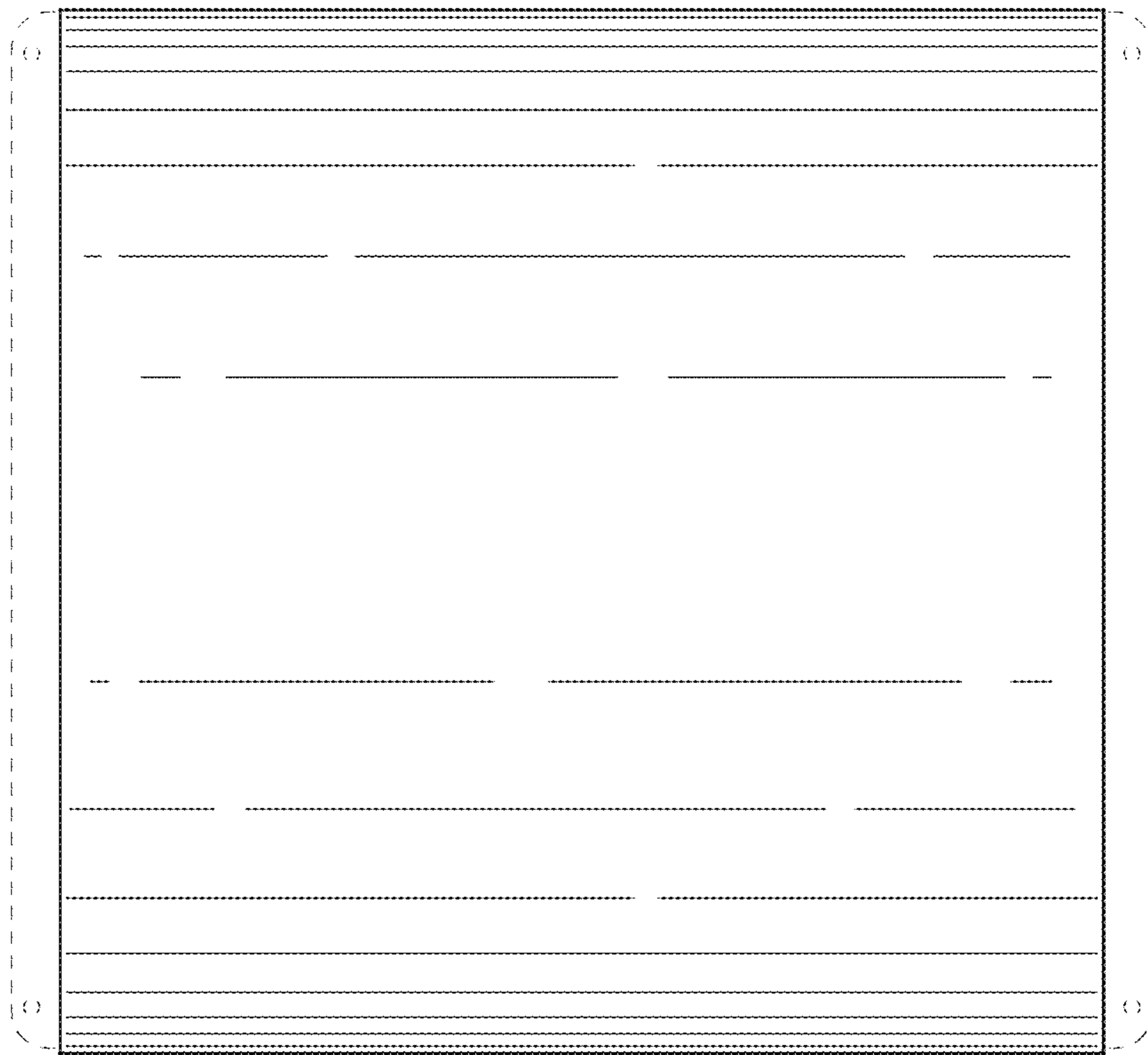


FIG. 7