



US00D785566S

(12) **United States Design Patent** (10) **Patent No.:** **US D785,566 S**
Du et al. (45) **Date of Patent:** **** May 2, 2017**

(54) **ELECTRIC MOTOR**

(56) **References Cited**

(71) Applicant: **GUANGZHOU EHANG INTELLIGENT TECHNOLOGY CO., LTD.**, Guangzhou (CN)

U.S. PATENT DOCUMENTS

(72) Inventors: **Hao Du**, Guangzhou (CN); **Zhiyi Li**, Guangzhou (CN); **Chunming Ma**, Gaungzhou (CN)

D141,066	S	*	5/1945	Heintz	D13/112
D178,517	S	*	8/1956	Horvath et al.	D13/112
D314,550	S	*	2/1991	Sieber	D13/112
D347,619	S	*	6/1994	VanHorn	D13/113
D561,096	S	*	2/2008	Wai	D13/112
D624,015	S	*	9/2010	Walker	D13/112
D655,309	S	*	3/2012	Headley	D15/5
2010/0038979	A1	*	2/2010	Miller	B23D 53/12 310/50

(73) Assignee: **GUANGZHOU EHANG INTELLIGENT TECHNOLOGY CO., LTD.**, Guangzhou, Guangdong (CN)

* cited by examiner

(**) Term: **15 Years**

Primary Examiner — Derrick Holland

(21) Appl. No.: **29/555,925**

(74) *Attorney, Agent, or Firm* — Hamre, Schumann, Mueller & Larson, P.C.

(22) Filed: **Feb. 25, 2016**

(57) **CLAIM**

(30) **Foreign Application Priority Data**

The ornamental design for an electric motor, as shown and described.

Dec. 25, 2015 (CN) 2015 3 0558377

DESCRIPTION

(51) **LOC (10) Cl.** **13-01**

(52) **U.S. Cl.**
USPC **D13/112**

(58) **Field of Classification Search**
USPC D13/101, 112, 113, 114, 118, 122, 184,
D13/199; D15/3, 5, 199
CPC .. H02K 5/18; H02K 5/20; H02K 9/19; H02K
9/20; H02K 3/24; H02K 3/47; H02K
7/145; H02K 11/33; H02K 2205/09;
B23D 53/12; F02B 63/04

FIG. 1 is a perspective view of an electric motor showing our new design;
FIG. 2 is a front view thereof;
FIG. 3 is a rear view thereof;
FIG. 4 is a left side view, the right side being a mirror image thereof; and,
FIG. 5 is a top view, the bottom view being a mirror thereof.
The broken lines shown represent unclaimed subject matter and form no part of the claimed design.

See application file for complete search history.

1 Claim, 5 Drawing Sheets

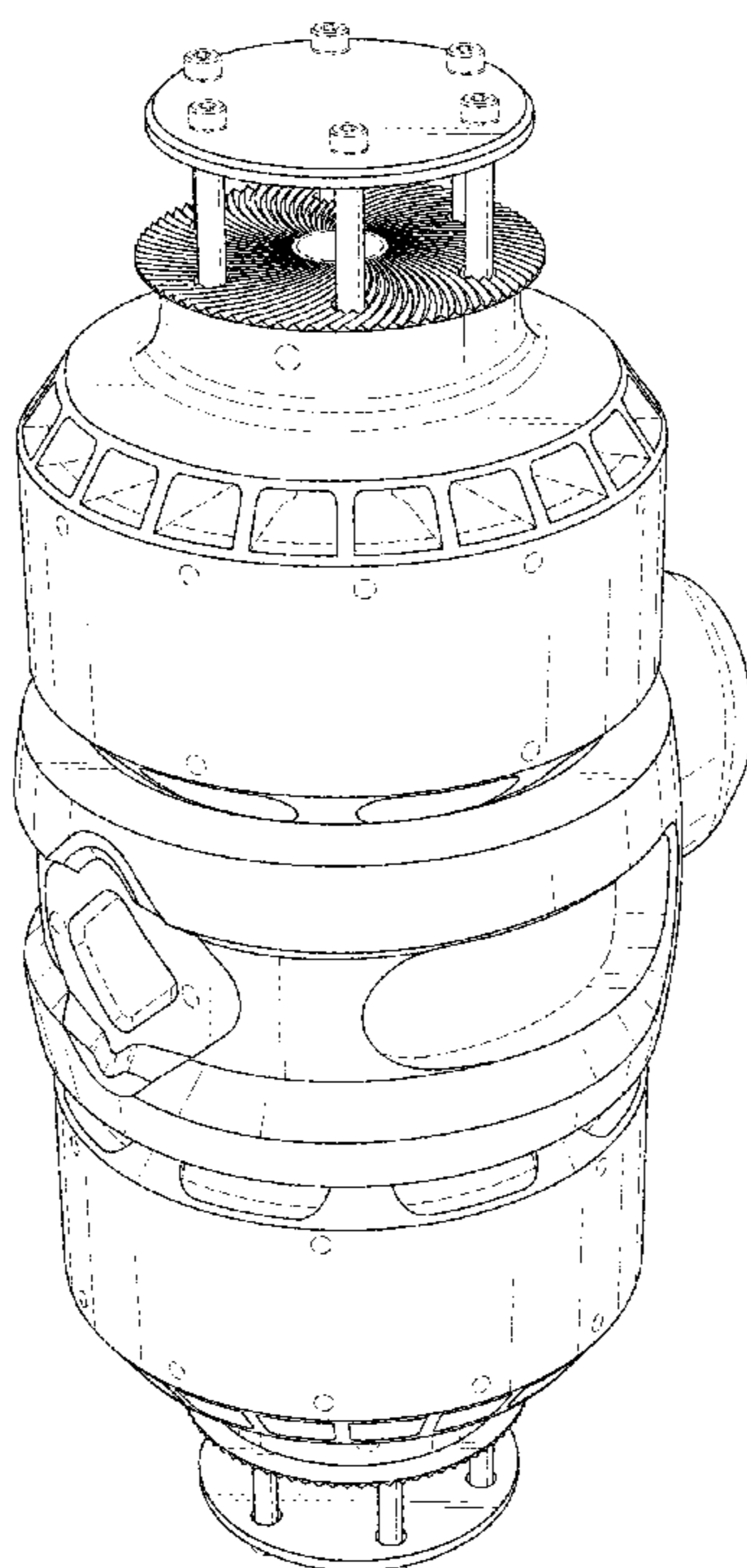


Fig. 1

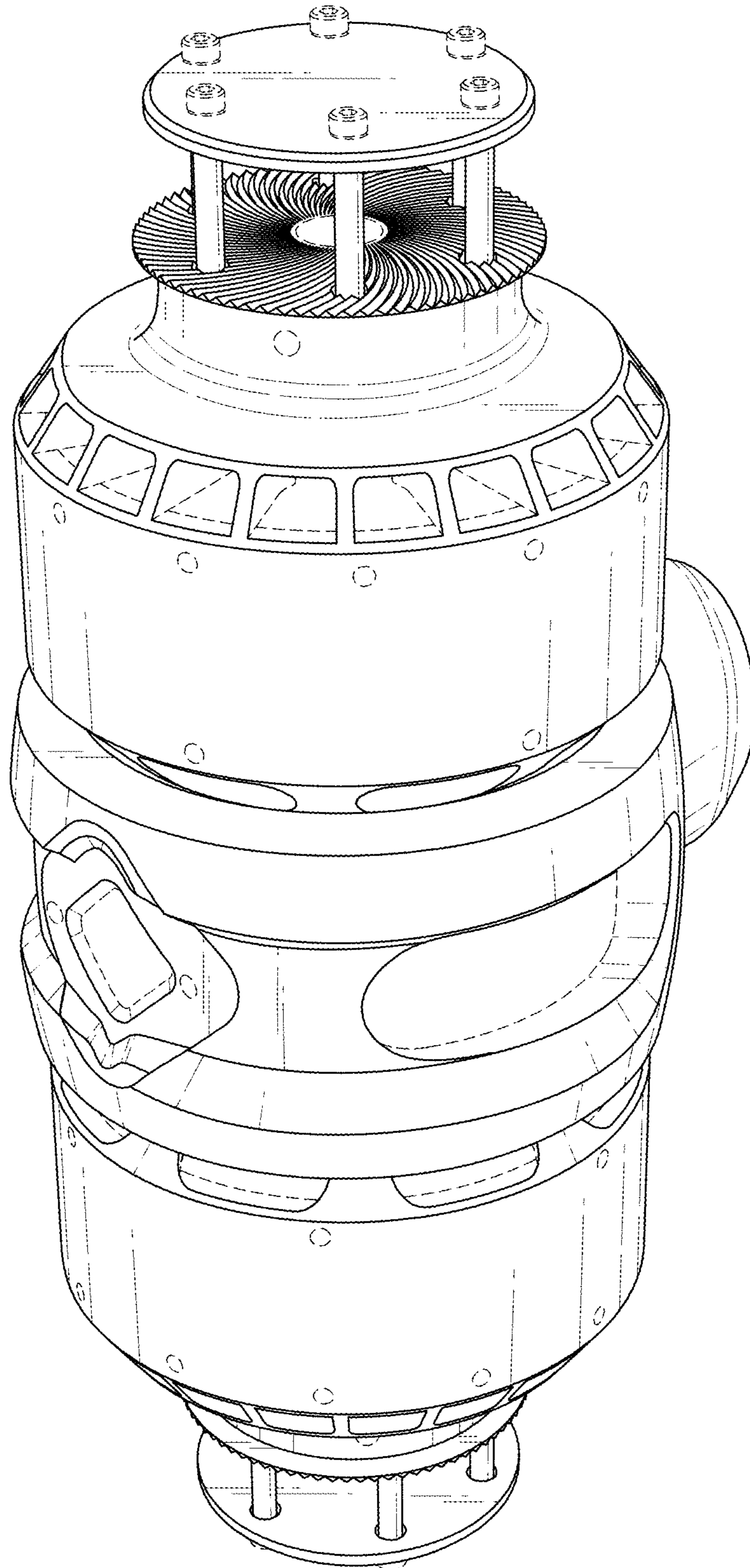


Fig. 2

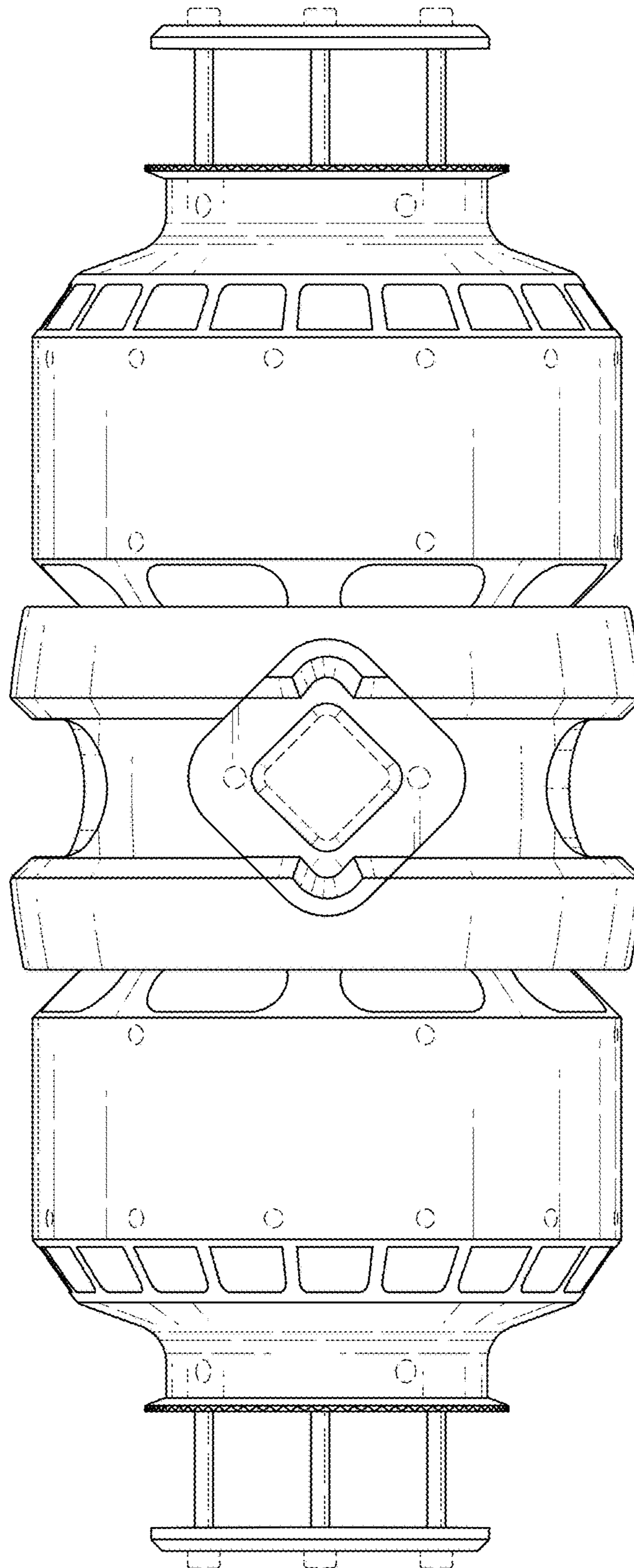


Fig. 3

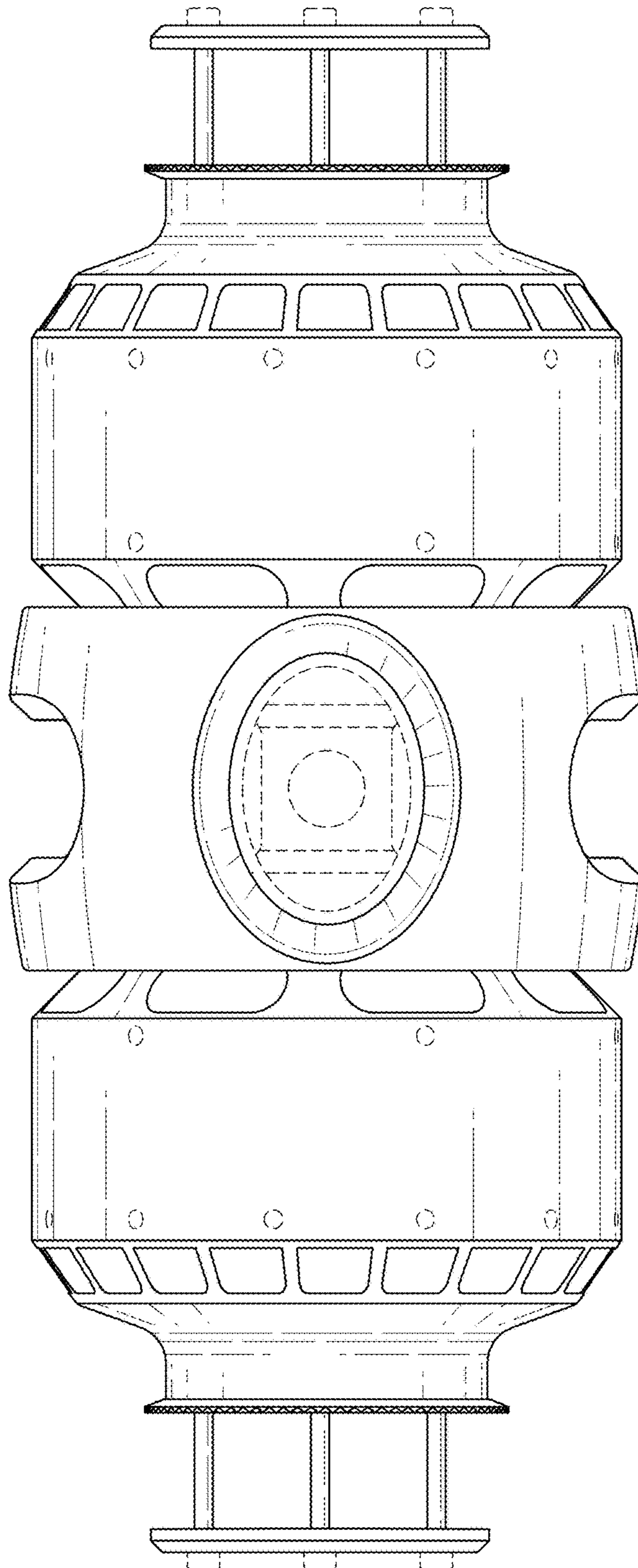


Fig. 4

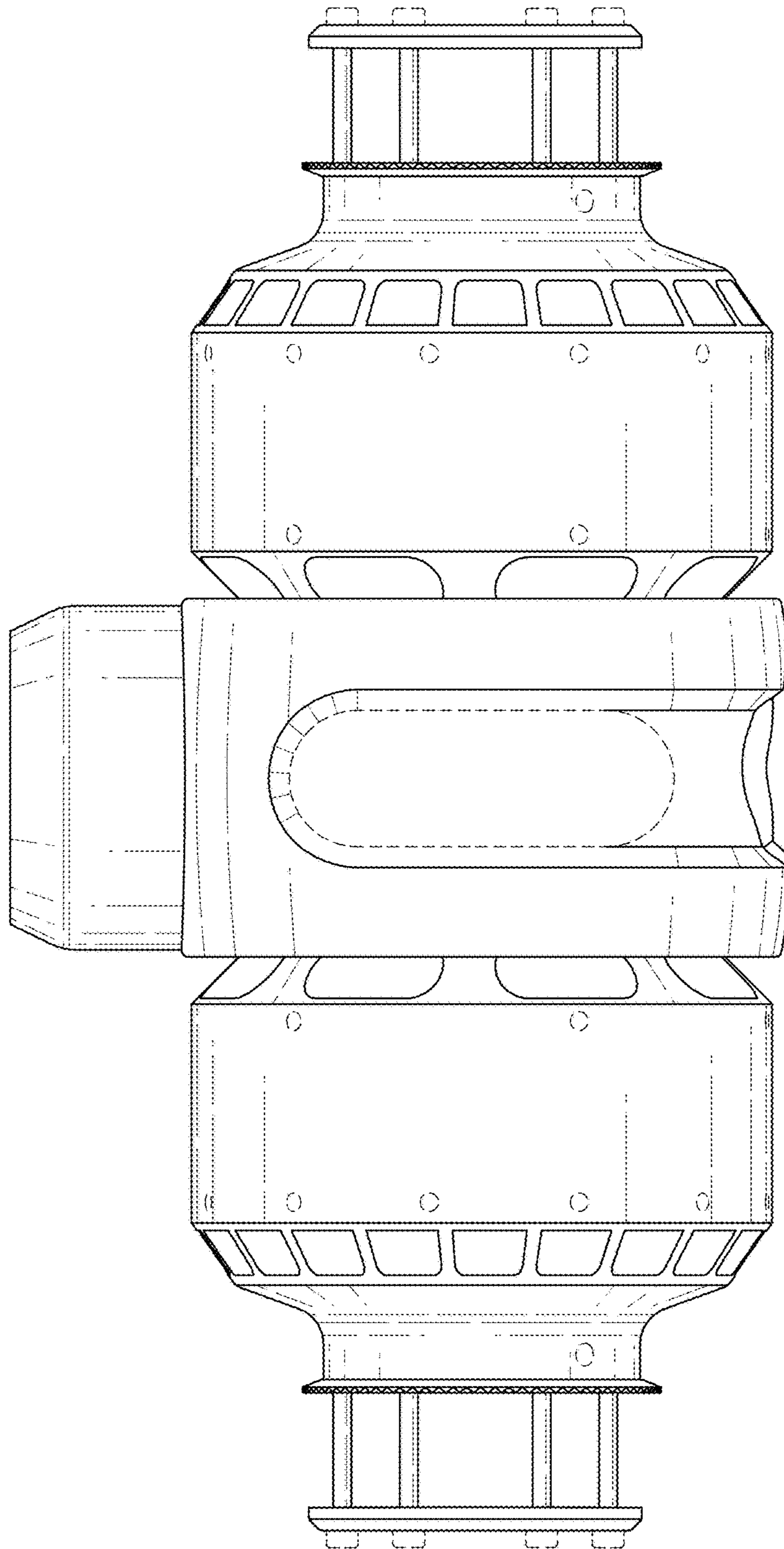


Fig. 5

