



US00D785565S

(12) **United States Design Patent** (10) **Patent No.:** **US D785,565 S**  
**Xu** (45) **Date of Patent:** **\*\* May 2, 2017**

(54) **INVERTER**  
(71) Applicant: **Guangdong BESTEK E-commerce Co., Ltd.**, Shenzhen (CN)  
(72) Inventor: **Xinhua Xu**, Shenzhen (CN)  
(73) Assignee: **GUANGDONG BESTEK E-COMMERCE CO., LTD.** (CN)

D427,148 S \* 6/2000 Wei ..... D13/110  
D427,969 S \* 7/2000 Wei ..... D13/110  
D558,142 S \* 12/2007 Cho ..... D13/110  
D562,235 S \* 2/2008 Hussaini ..... D13/110  
7,483,272 B2 \* 1/2009 Hussaini ..... H02J 7/0042  
174/50  
D627,719 S \* 11/2010 DuMelle ..... D13/110  
D693,298 S \* 11/2013 Inskeep ..... D13/110  
D701,490 S \* 3/2014 Inskeep ..... D13/110  
D719,508 S \* 12/2014 Byrne ..... D13/110

(\*\*) Term: **15 Years**

\* cited by examiner

(21) Appl. No.: **29/535,949**

*Primary Examiner* — Derrick Holland

(22) Filed: **Aug. 12, 2015**

(74) *Attorney, Agent, or Firm* — Garcia-Zamor IP Law;  
Ruy M. Garcia-Zamor

(51) **LOC (10) Cl.** ..... **13-02**

(52) **U.S. Cl.**  
USPC ..... **D13/110**

(57) **CLAIM**

(58) **Field of Classification Search**  
USPC ..... D13/110, 108, 118, 123, 162, 168, 169,  
D13/174, 177, 184, 199; D14/257, 432,  
D14/438; 174/16.3, 17 R, 17.08;  
361/600, 601, 690, 694, 695, 679.01,  
361/679.61, 704, 730; 363/141, 142  
CPC ..... H05K 5/00; H05K 5/02; H05K 5/0247;  
H05K 7/00; H05K 7/20; H05K 7/20136;  
H05K 7/20154; H05K 7/209; H02M 7/00;  
H02M 7/003; H02M 2001/009; H02J  
7/0042; Y10T 307/367  
See application file for complete search history.

The ornamental design for an inverter, as shown and described.

**DESCRIPTION**

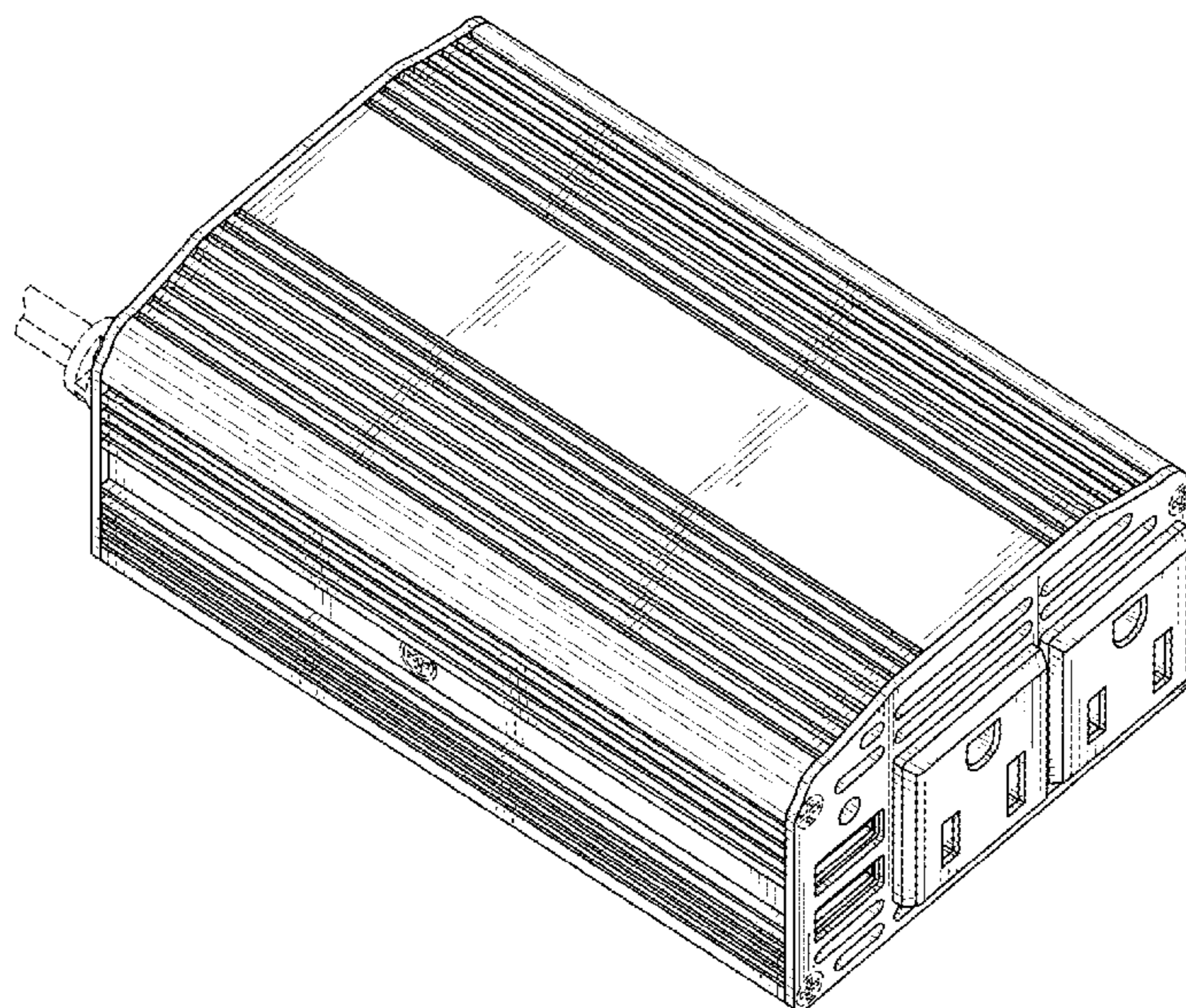
(56) **References Cited**

FIG. 1 is a perspective view of an inverter showing my new design;  
FIG. 2 is a front elevational view thereof;  
FIG. 3 is a rear elevational view thereof;  
FIG. 4 is a left side elevational view thereof;  
FIG. 5 is a right side elevational view thereof;  
FIG. 6 is a top plan view thereof; and,  
FIG. 7 is a bottom plan view thereof.  
The broken lines shown represent unclaimed subject matter and form no part of the claimed design.

U.S. PATENT DOCUMENTS

5,949,640 A \* 9/1999 Cameron ..... H02M 7/003  
361/600  
D427,146 S \* 6/2000 Wei ..... D13/110

**1 Claim, 7 Drawing Sheets**



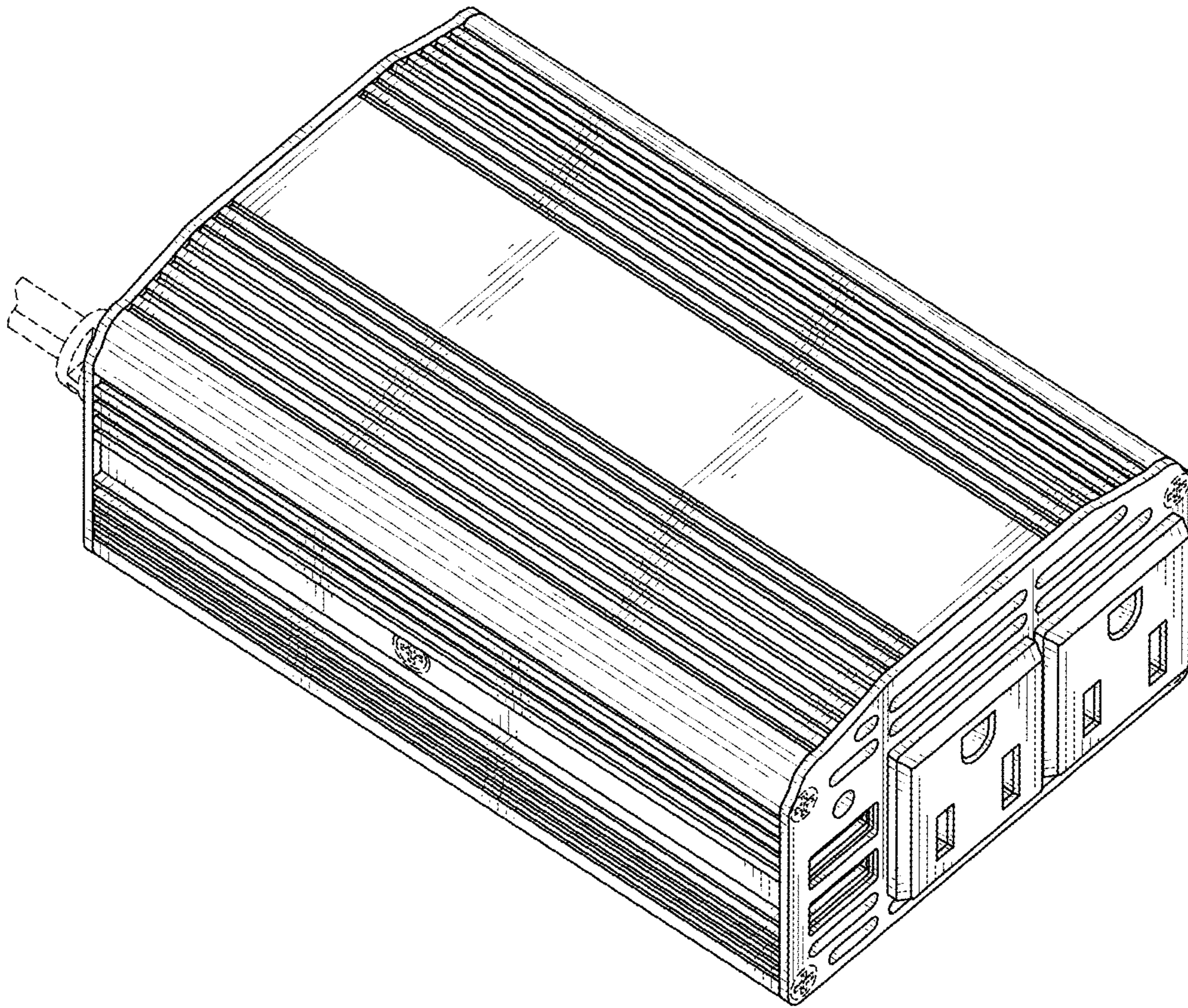


FIG. 1

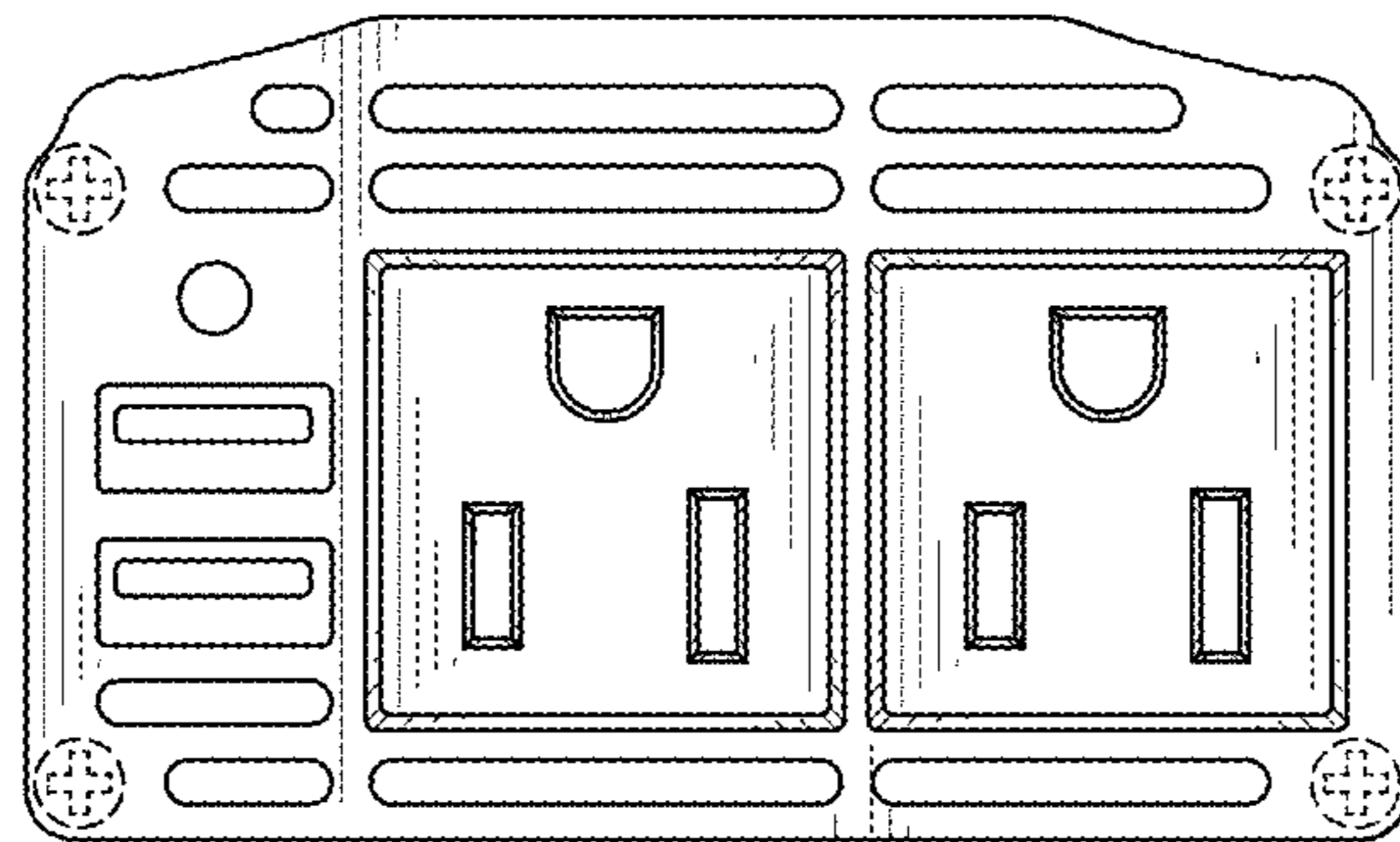


FIG. 2

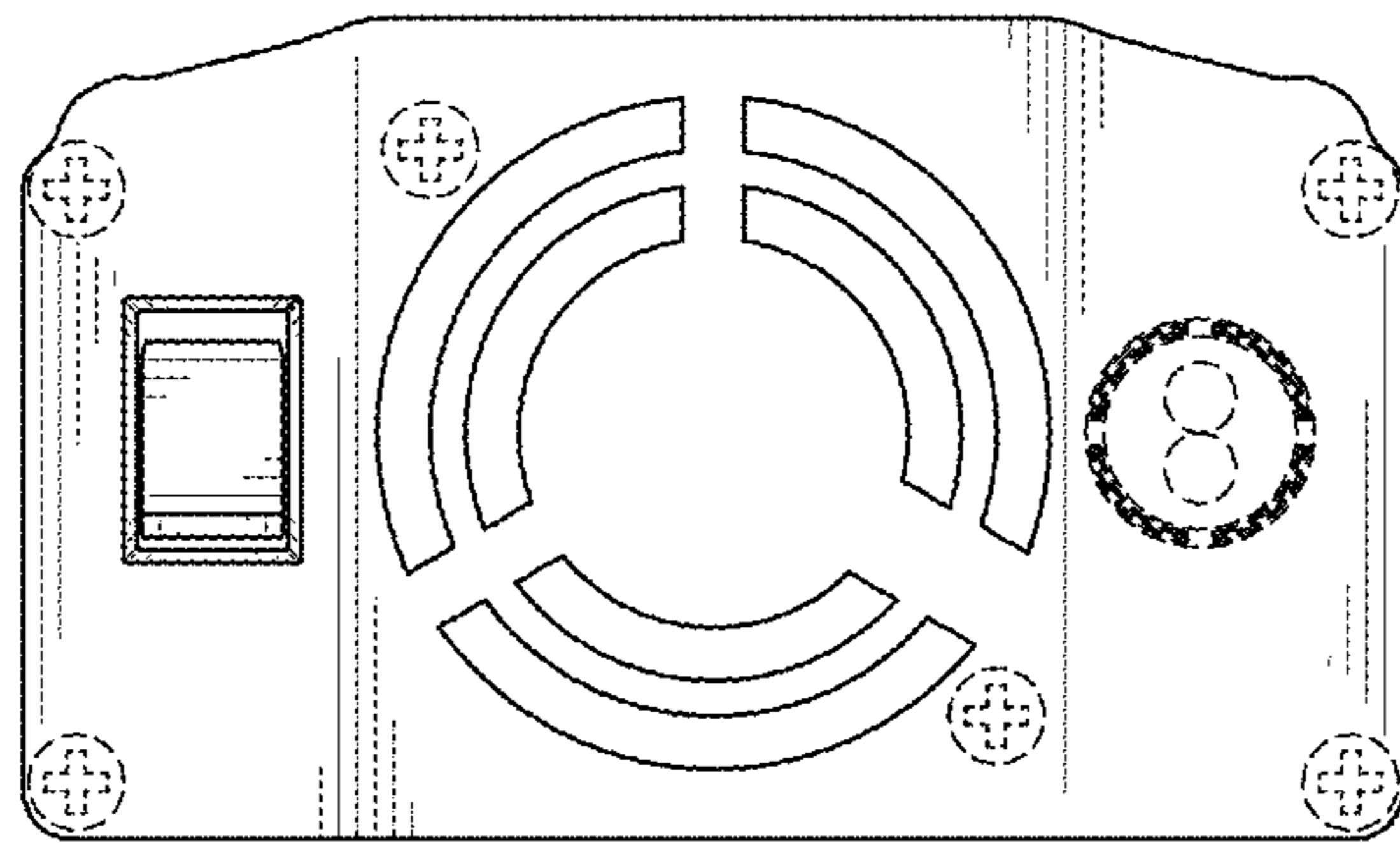


FIG. 3

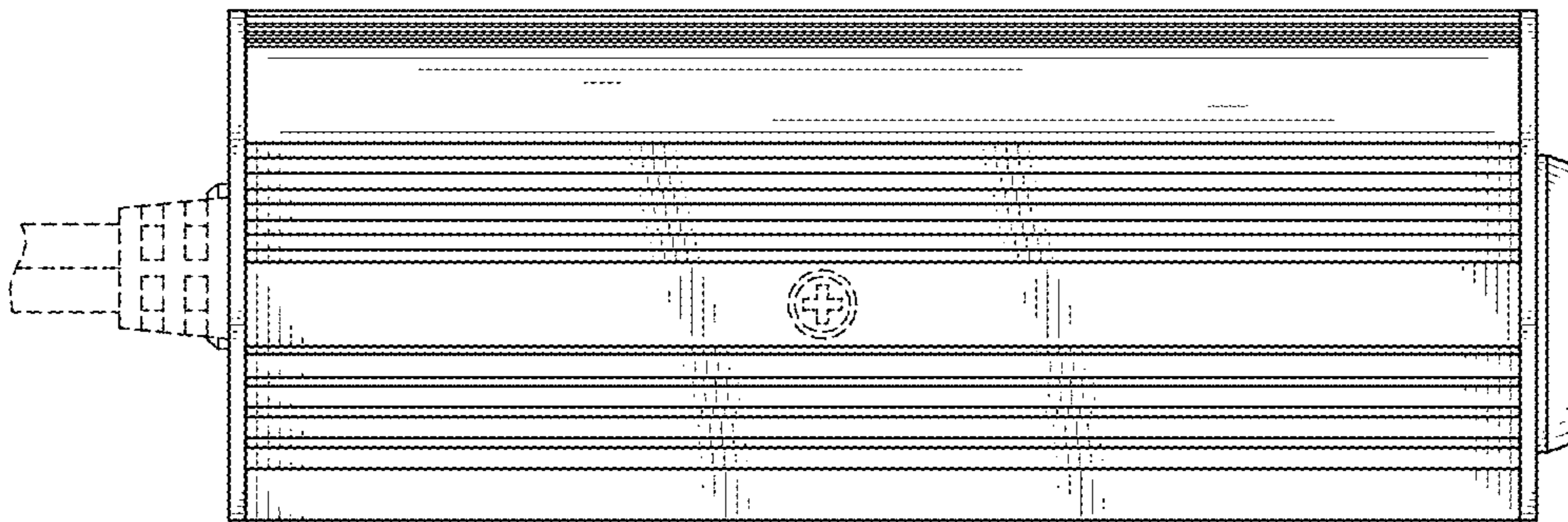


FIG. 4

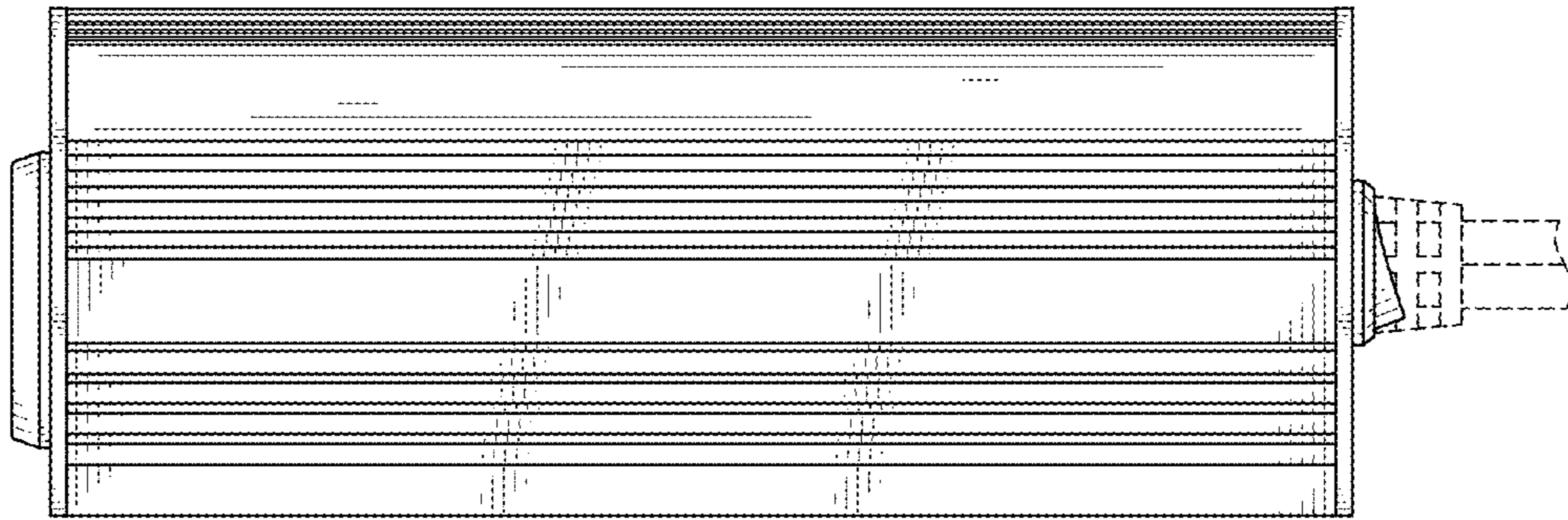


FIG. 5

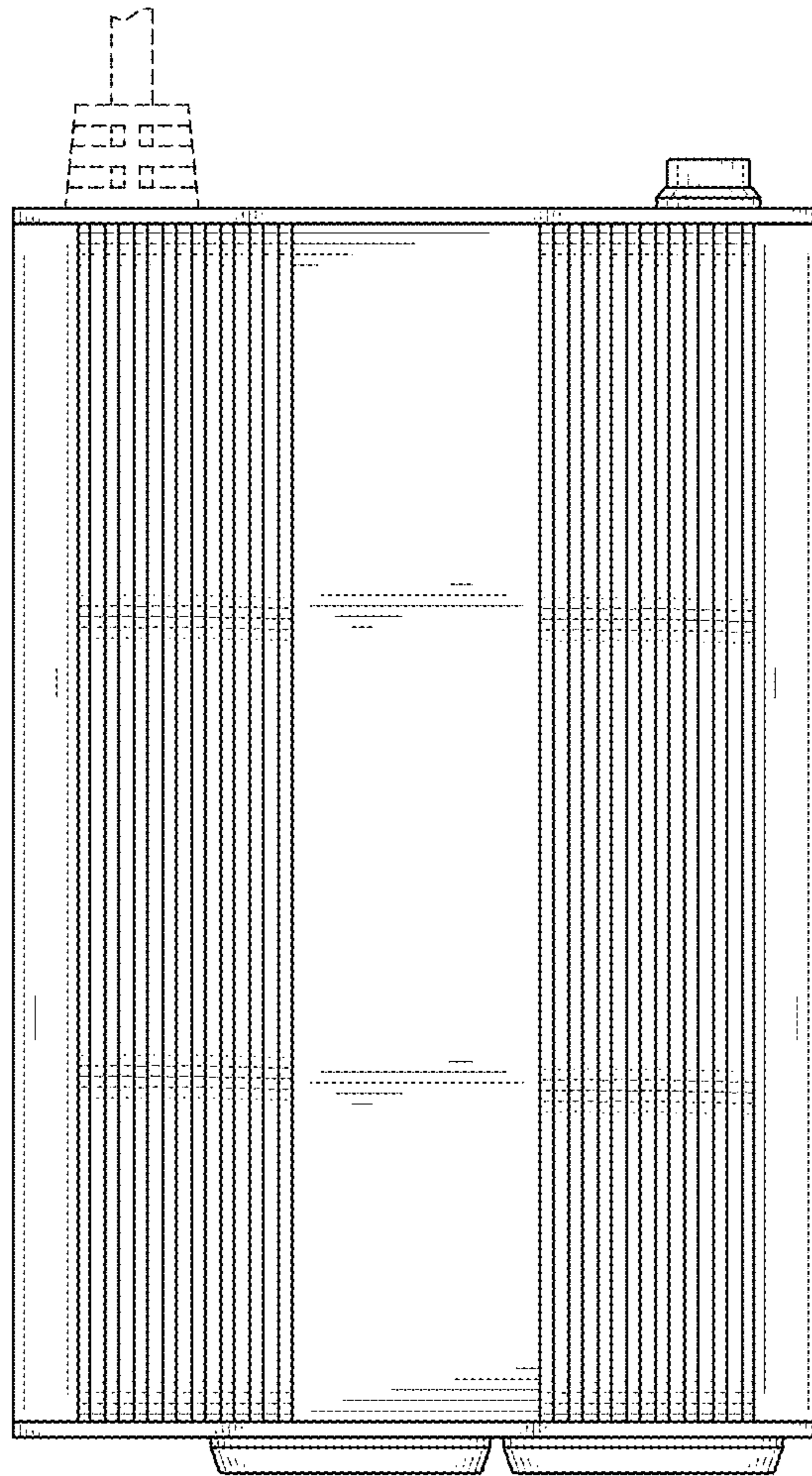


FIG. 6

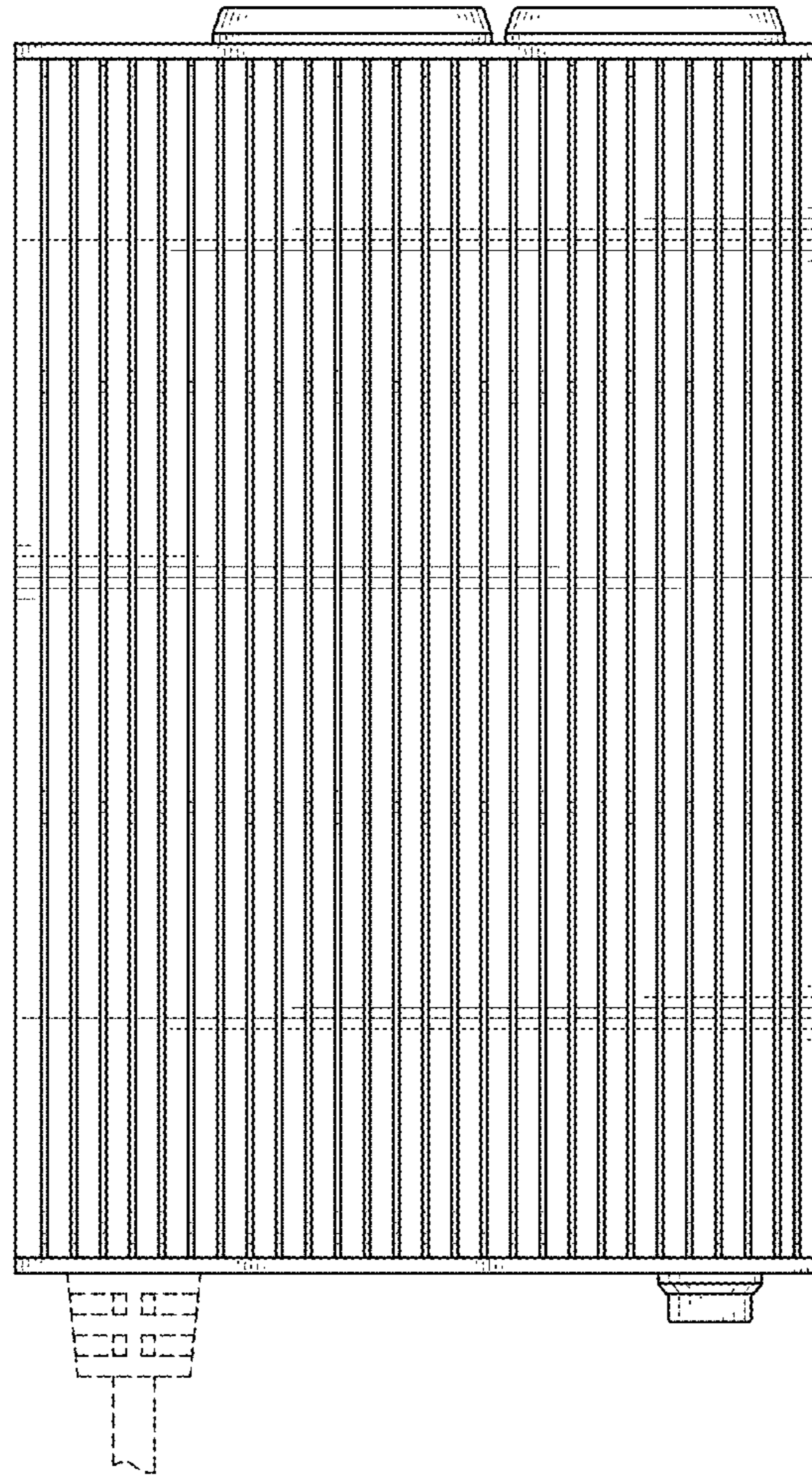


FIG. 7