



US00D785562S

(12) **United States Design Patent** (10) **Patent No.:** **US D785,562 S**
Cooper (45) **Date of Patent:** **** *May 2, 2017**

(54) **BATTERY PACK**

(71) Applicant: **BLACK & DECKER INC.**, Newark, DE (US)

(72) Inventor: **Joseph B. Cooper**, Baltimore, MD (US)

(73) Assignee: **Black & Decker Inc.**, New Britain, CT (US)

(*) Notice: This patent is subject to a terminal disclaimer.

(**) Term: **14 Years**

(21) Appl. No.: **29/520,528**

(22) Filed: **Mar. 16, 2015**

(51) **LOC (10) Cl.** **13-02**

(52) **U.S. Cl.**
USPC **D13/103**

(58) **Field of Classification Search**
USPC D13/102-110, 118-119, 184, 199;
D14/356, 432, 240; 320/103, 111-115,
320/135, 138, 140; 429/96-100, 163,
429/176; D19/115-123, 177, 193
CPC Y02E 60/10; Y02E 60/12; Y02E 60/122;
Y02E 60/124; Y02E 60/50; H01M 2/02;
H01M 2/022; H01M 2/0202; H01M
2/0207; H01M 2/0212; H01M 2/1061;
H01M 2/1022; H01M 2/1055; H01M
2/1066; H01M 2/105; H01M 2/20; H01M
2/202; H01M 2/204; H01M 2/206; H01M
10/44; H01M 10/46; H01M 10/465;
H01M 10/482; H01M 10/4257; H01M
10/0436; H01M 10/48; H01M 2200/30;
H01M 2250/30; H01M 2250/40; H02J
7/00; H02J 7/0003; H02J 7/0011; H02J
7/0013; H02J 7/0054; H02J 7/0055; H02J
7/0057; H02J 2007/0062

See application file for complete search history.

(56) **References Cited**

U.S. PATENT DOCUMENTS

D415,100 S *	10/1999	Buck	D13/103
D436,917 S *	1/2001	Hayakawa	D13/103
D481,672 S *	11/2003	Niwa	D13/103
D512,961 S *	12/2005	Okuda	D13/103
D514,060 S *	1/2006	Wong	D13/103
D516,504 S *	3/2006	Okuda	D13/103
D523,807 S *	6/2006	Murayama	D13/103
D537,408 S *	2/2007	Aglassinger	D13/103
D541,740 S *	5/2007	Tsai	D13/108
D550,152 S *	9/2007	Okuda	D13/103

(Continued)

OTHER PUBLICATIONS

Black & Decker Double Pack 20V Lithium Ion Battery, 1.5 Ah, LBXR20-OPE2, [online], [site visited Apr. 15, 2016]. Available from Internet, <URL: <http://www.walmart.com/ip/Black-Decker-Double-Pack-20V-Lithium-Ion-Battery-1.5-Ah-LBXR20-OPE2/30224752>>.*

Primary Examiner — Rosemary K Tarcza

Assistant Examiner — Sanjeev Paul

(74) *Attorney, Agent, or Firm* — Michael Aronoff

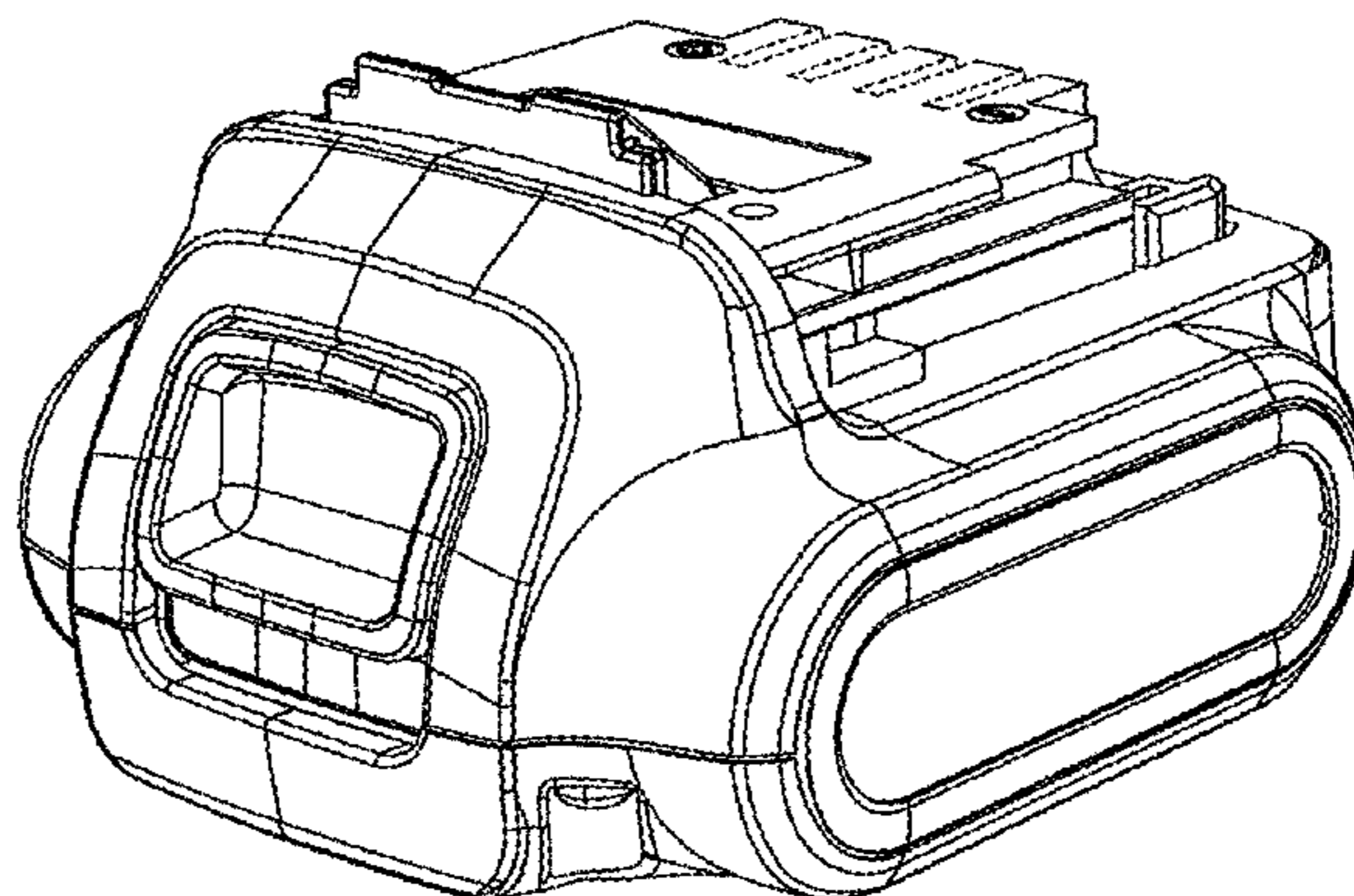
(57) **CLAIM**

The ornamental design for a battery pack, as shown and described.

DESCRIPTION

FIG. 1 is a front perspective view of a battery pack showing my new design;
FIG. 2 is a left side view thereof;
FIG. 3 is a right view thereof;
FIG. 4 is a front view thereof;
FIG. 5 is a rear view thereof;
FIG. 6 is a top plan view thereof; and,
FIG. 7 is a bottom plan view thereof.

(Continued)



The broken lines shown in the drawings represent unclaimed portions of the battery pack and form no part of the claimed design.

1 Claim, 7 Drawing Sheets

(56)

References Cited

U.S. PATENT DOCUMENTS

D555,086 S * 11/2007 Zhang D13/103
 D580,353 S * 11/2008 Harrison D13/103
 D589,439 S * 3/2009 Van Wambeke D13/103
 D589,440 S * 3/2009 Van Wambeke D13/103
 D589,441 S * 3/2009 Van Wambeke D13/103
 D597,931 S * 8/2009 Aglassinger D13/103
 D597,932 S * 8/2009 Aglassinger D13/103
 D597,934 S * 8/2009 Aglassinger D13/103
 D597,935 S * 8/2009 Aglassinger D13/103
 D598,373 S * 8/2009 Aglassinger D13/103
 D604,694 S * 11/2009 Aglassinger D13/103
 D606,935 S * 12/2009 Murayama D13/103
 D610,082 S * 2/2010 Sweeney D13/103
 D633,036 S * 2/2011 Murray D13/103
 D638,793 S * 5/2011 Perin D13/110
 D639,730 S * 6/2011 Kawase D13/103
 D640,197 S * 6/2011 Park D13/103
 D640,628 S * 6/2011 Lopano D13/103
 D640,975 S * 7/2011 Okuda D13/103
 D643,809 S * 8/2011 Okuda D13/103
 8,092,932 B2 * 1/2012 Phillips B25F 5/02
 429/100
 D658,578 S * 5/2012 Davis D13/103
 8,343,643 B2 * 1/2013 Miller H01M 2/105
 429/100
 D682,192 S * 5/2013 Corbin D13/103

D682,194 S * 5/2013 Jiang D13/103
 D684,528 S * 6/2013 Murray D13/103
 D685,730 S * 7/2013 Hamm D13/103
 D686,157 S * 7/2013 Kawase D13/119
 D686,569 S * 7/2013 Lau D13/103
 D698,313 S * 1/2014 Buetow D13/119
 D699,180 S * 2/2014 Sweere D13/103
 D699,670 S * 2/2014 Cooper D13/103
 8,758,919 B2 * 6/2014 Taga H01M 2/1055
 429/100
 D712,348 S * 9/2014 Zhang D13/103
 D712,826 S * 9/2014 Marino D13/103
 D718,705 S * 12/2014 Naksen D13/103
 D722,016 S * 2/2015 Beukema D13/103
 D729,728 S * 5/2015 Inskeep D13/107
 2006/0071634 A1 * 4/2006 Meyer H02J 7/041
 320/112
 2010/0085008 A1 * 4/2010 Suzuki B25F 5/00
 320/112
 2013/0136965 A1 * 5/2013 Nakano H01M 10/48
 429/92
 2013/0280573 A1 * 10/2013 Taga H01M 2/105
 429/100
 2014/0014386 A1 * 1/2014 Turner H01M 2/1022
 173/217
 2014/0127543 A1 * 5/2014 Cho H01M 2/1016
 429/99
 2014/0272516 A1 * 9/2014 Tennison H01M 2/105
 429/120
 2014/0329119 A1 * 11/2014 Tirone H01M 2/1022
 429/90
 2015/0035488 A1 * 2/2015 Mori H02J 7/0047
 320/112
 2015/0288038 A1 * 10/2015 Johnson H01M 10/482
 320/136
 2016/0099575 A1 * 4/2016 Velderman H02J 5/00
 307/72

* cited by examiner

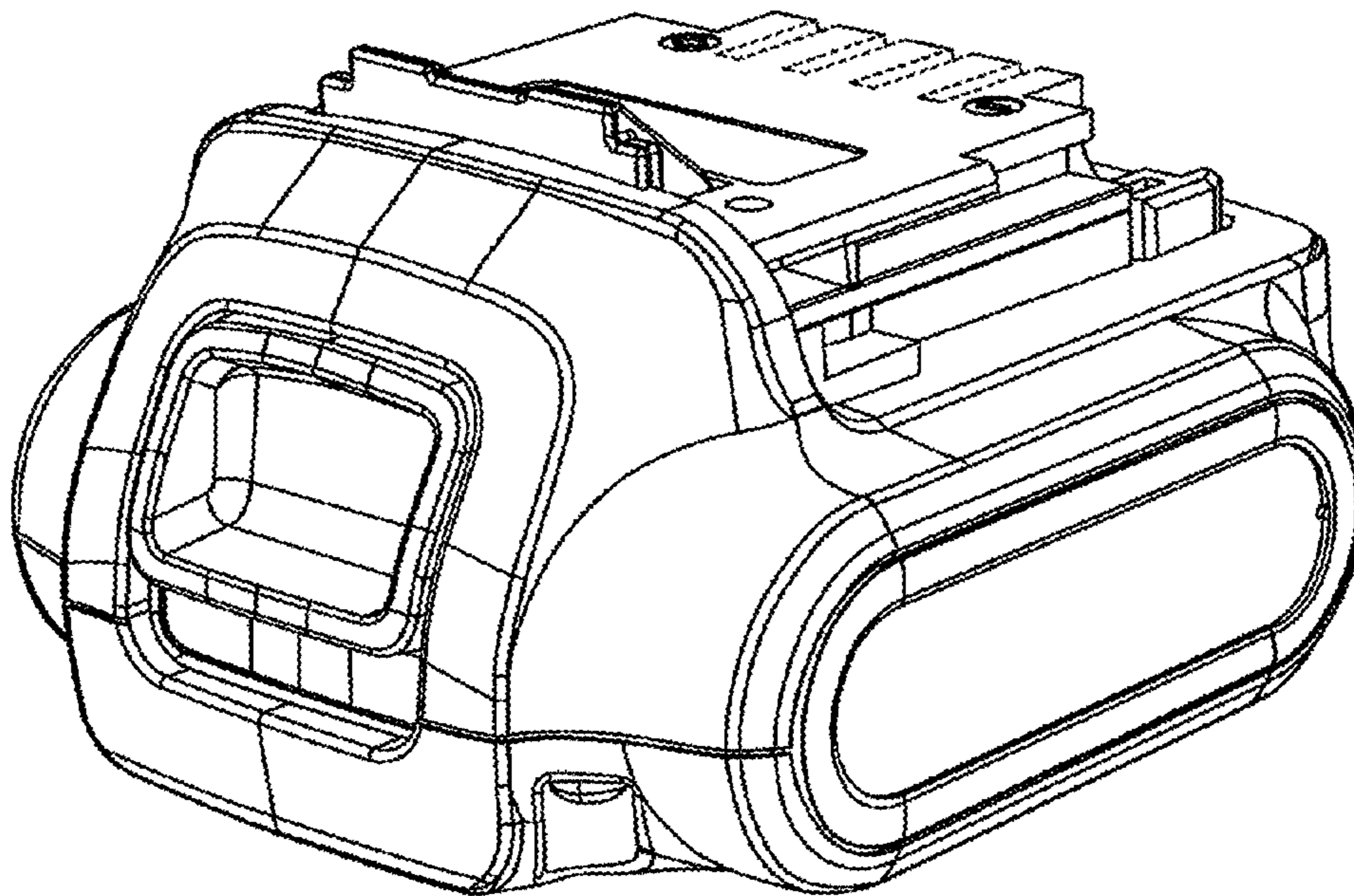


FIG. 1

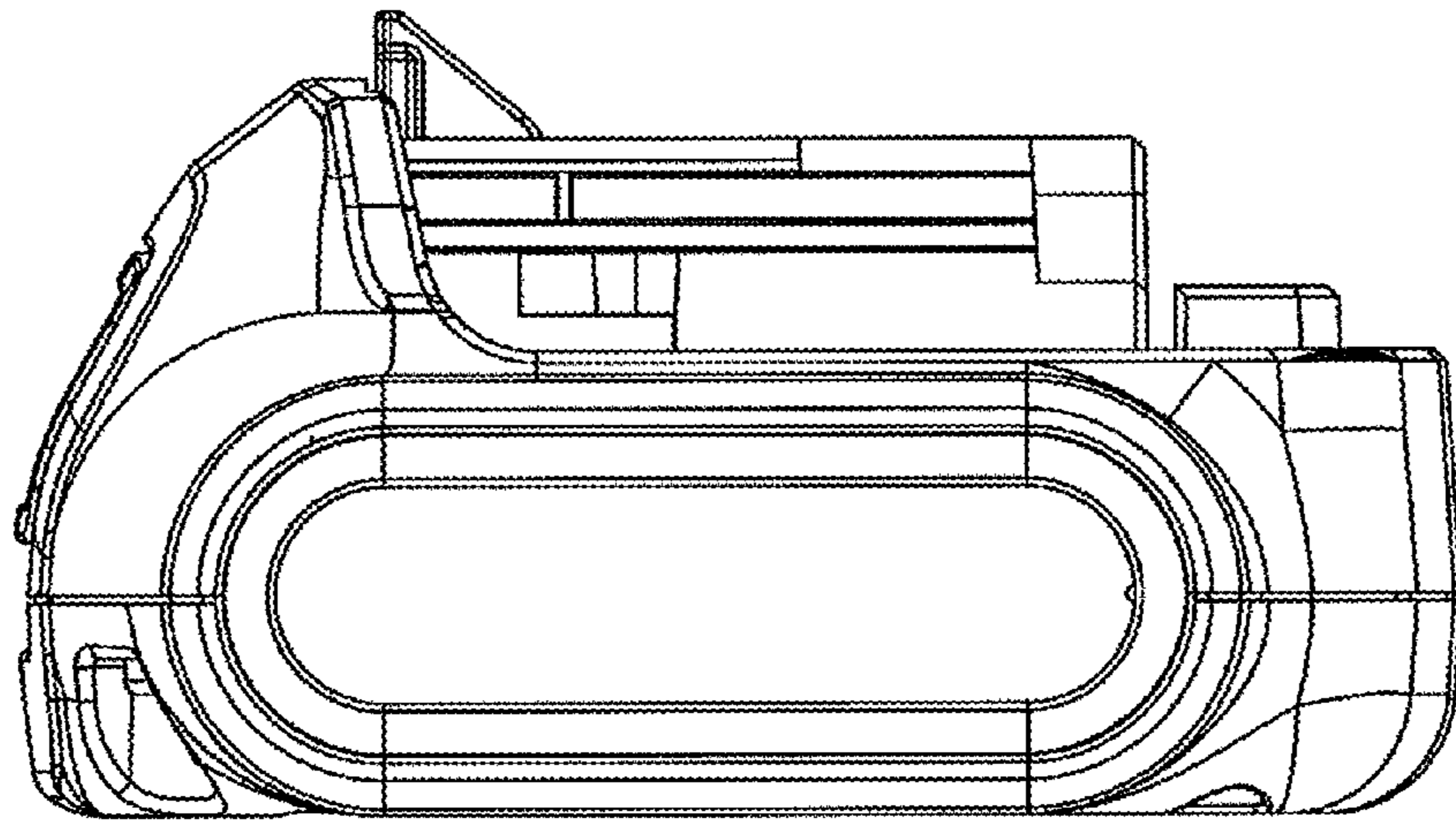


FIG. 2

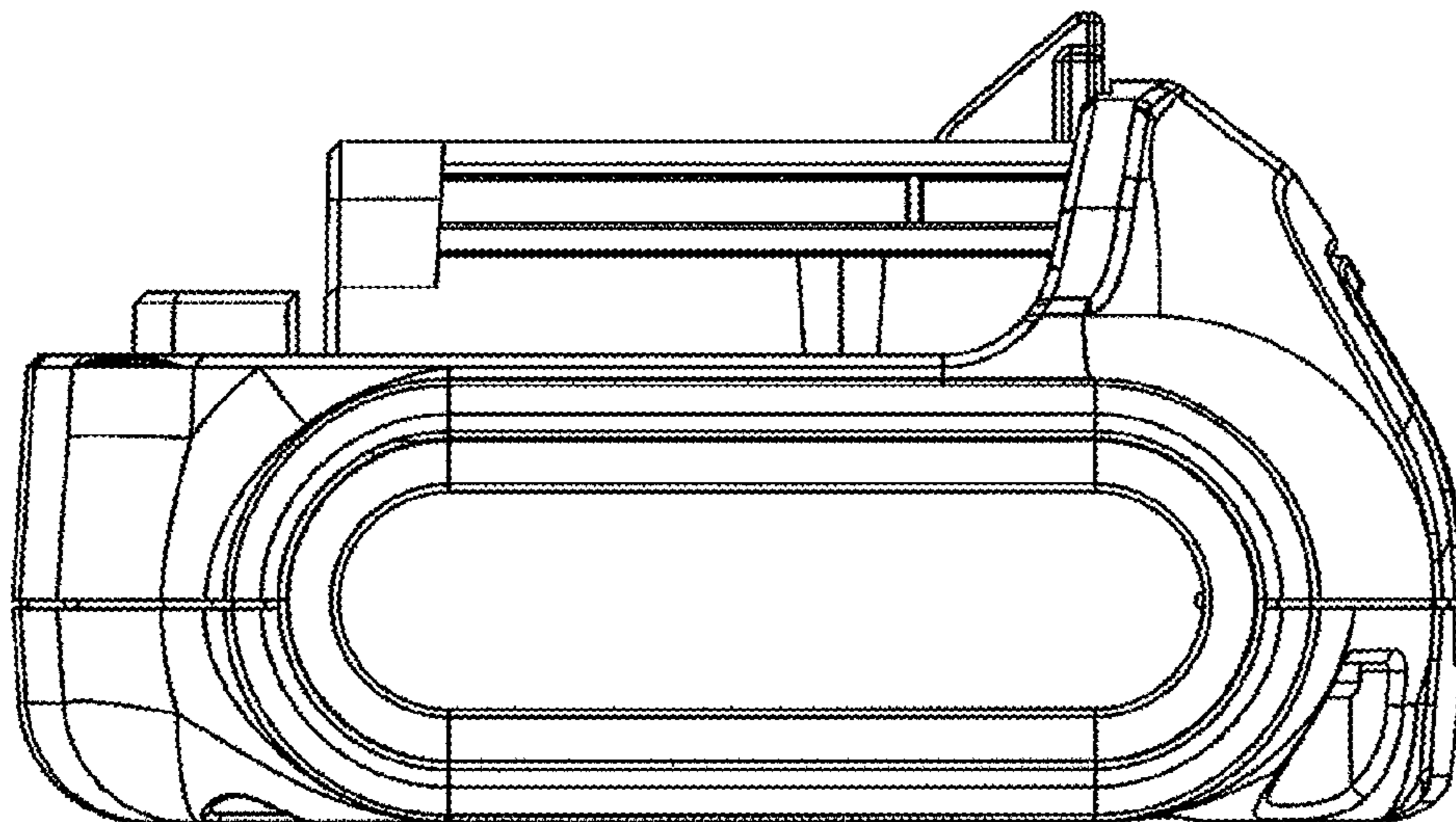


FIG. 3

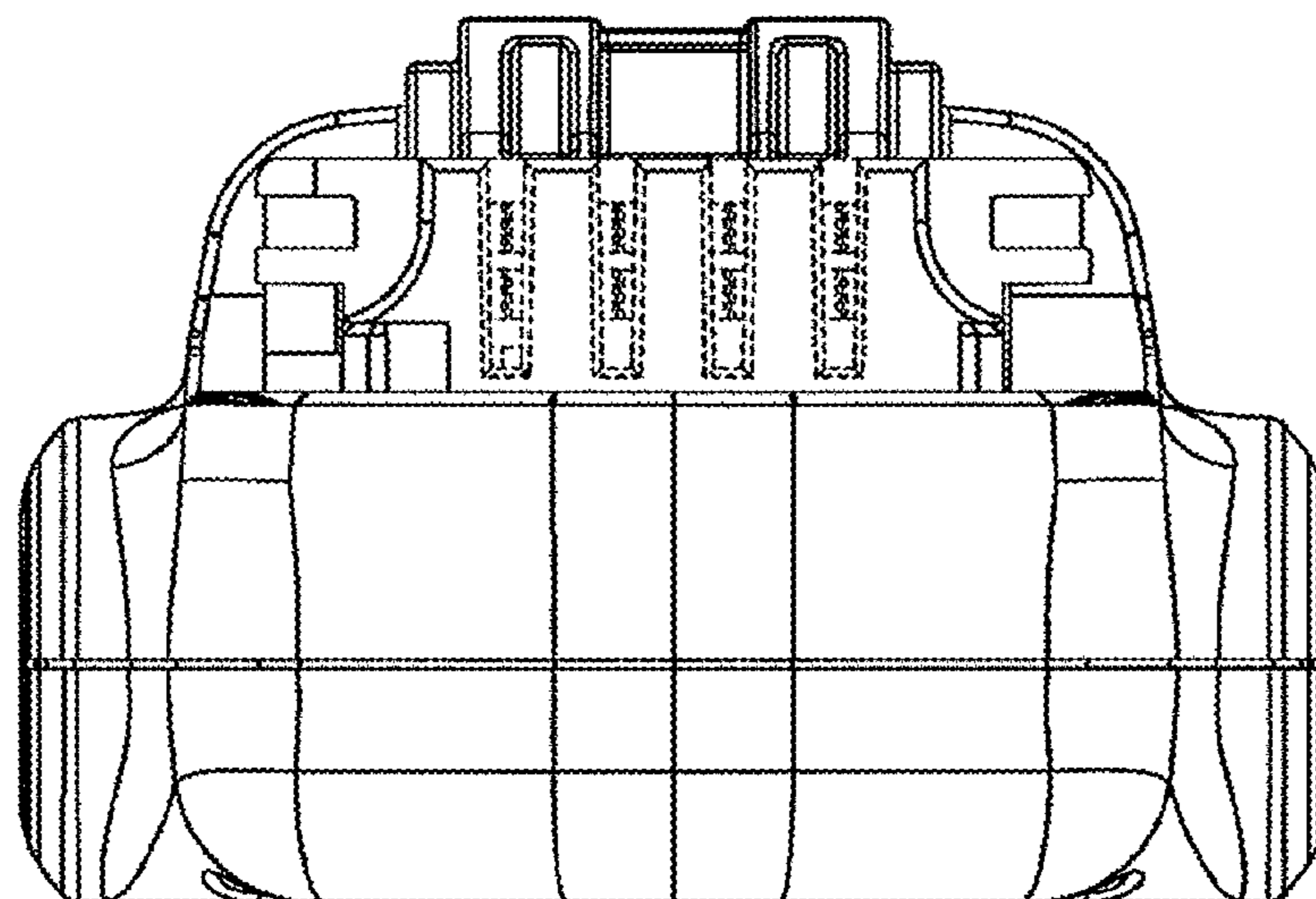


FIG. 4

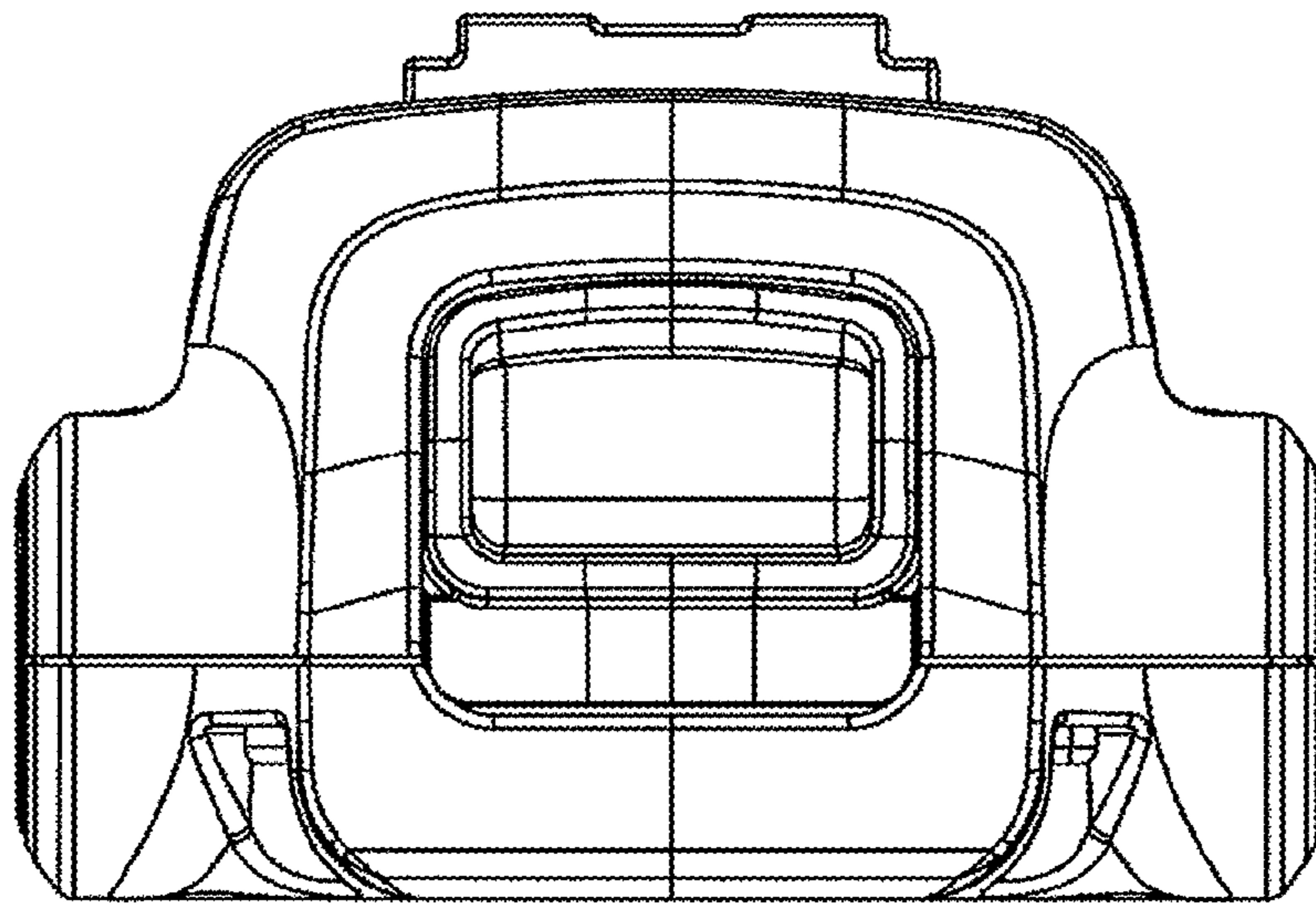


FIG. 5

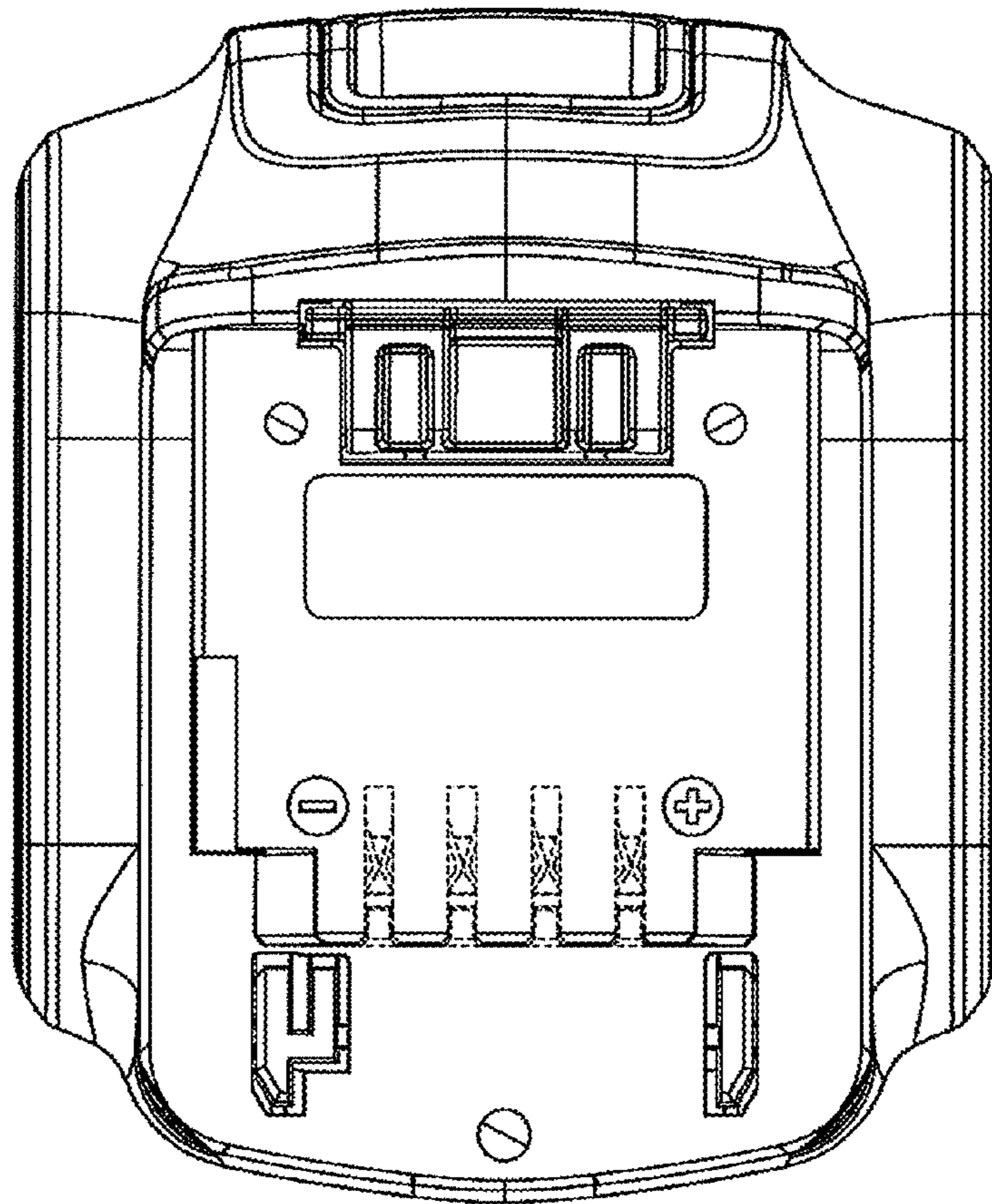


FIG. 6

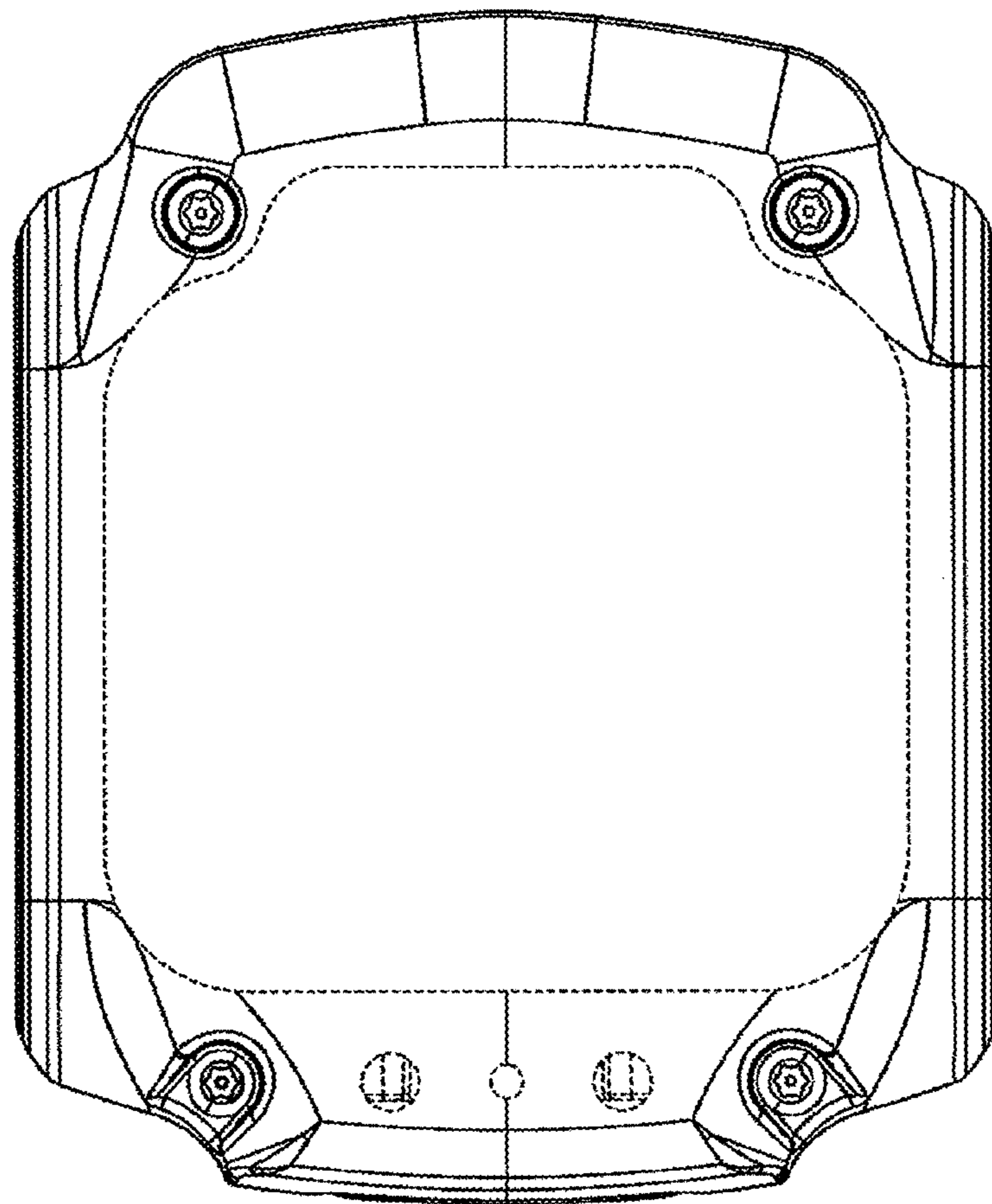


FIG. 7