



US00D785561S

(12) **United States Design Patent** (10) **Patent No.:** **US D785,561 S**
Lyman (45) **Date of Patent:** **** May 2, 2017**

(54) **BATTERY**
(71) Applicant: **ZIH Corp.**, Lincolnshire, IL (US)
(72) Inventor: **Roy P. Lyman**, Coventry, RI (US)
(73) Assignee: **ZIH Corp.**, Lincolnshire, IL (US)
(**) Term: **14 Years**
(21) Appl. No.: **29/517,711**
(22) Filed: **Feb. 16, 2015**
(51) **LOC (10) Cl.** **13-02**
(52) **U.S. Cl.**
USPC **D13/103**
(58) **Field of Classification Search**
USPC D13/102–106, 110, 118–119, 184;
429/96–100, 163, 176
CPC Y02E 60/12; Y02E 60/122; Y02E 60/124;
H01M 2/1022; H02J 7/0045; H02J
7/0052
See application file for complete search history.

(56) **References Cited**

U.S. PATENT DOCUMENTS

D411,826 S *	7/1999	Lamar	D13/139.6
D495,994 S *	9/2004	Arakelian	D13/103
D517,987 S *	3/2006	Castagnola	D13/103
D517,988 S *	3/2006	Ihde	D13/103
D538,226 S *	3/2007	Lyman	D13/103
D554,580 S *	11/2007	Ogasawara	D13/103
D557,203 S *	12/2007	Grunow	D13/103
D580,852 S *	11/2008	Heinzen	D13/103
D591,231 S *	4/2009	Wung	D13/103
D592,134 S *	5/2009	Brockington	D13/119
D594,403 S *	6/2009	Yang	D13/103
D685,729 S *	7/2013	Lyman	D13/103
D689,017 S *	9/2013	Ambrose	D13/103
D719,095 S *	12/2014	Oota	D13/103
D722,951 S *	2/2015	Parsons	D13/103
D742,307 S *	11/2015	DeKeuster	D13/103

2014/0162132 A1* 6/2014 Ishii H01M 4/525
429/231.95

* cited by examiner

Primary Examiner — Rosemary K Tarcza
Assistant Examiner — James Thorn, Sr.

(57) **CLAIM**

The ornamental design for a battery, as shown and described.

DESCRIPTION

The patent or application file contains at least one drawing executed in color. Copies of this patent or patent application publication with color drawing(s) will be provided by the Office upon request and payment of the necessary fee.

FIG. 1 is a perspective view of a battery according to our new design;

FIG. 2 is another perspective view thereof;

FIG. 3 is a front elevation view thereof;

FIG. 4 is a back elevation view thereof;

FIG. 5 is a right side elevation view thereof;

FIG. 6 is a left side elevation view thereof;

FIG. 7 is a top elevation view thereof; and

FIG. 8 is a bottom plan view thereof.

FIG. 9 is a perspective view of a battery according to another embodiment of our new design;

FIG. 10 is another perspective view thereof;

FIG. 11 is a front elevation view thereof;

FIG. 12 is a back elevation view thereof;

FIG. 13 is a right side elevation view thereof;

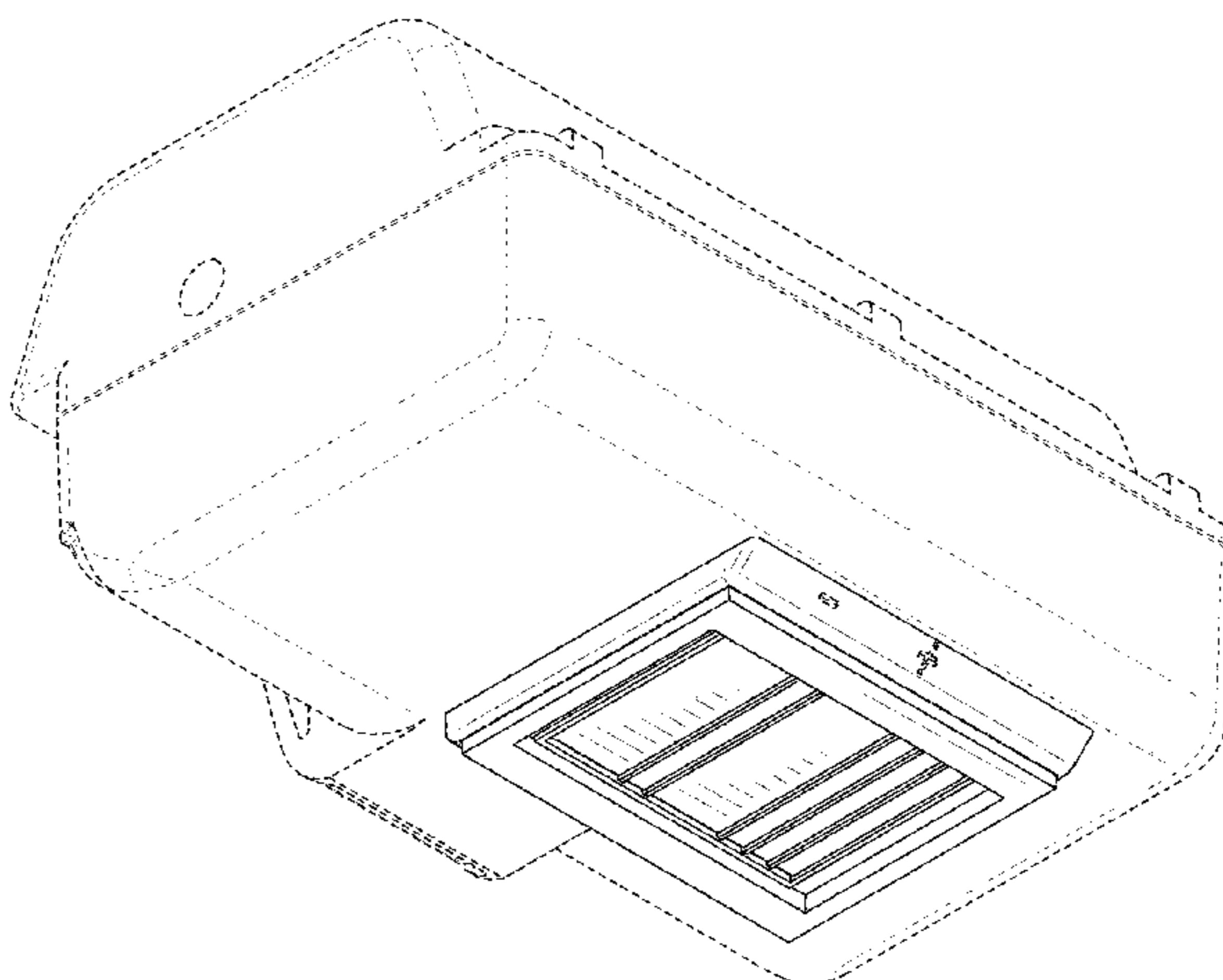
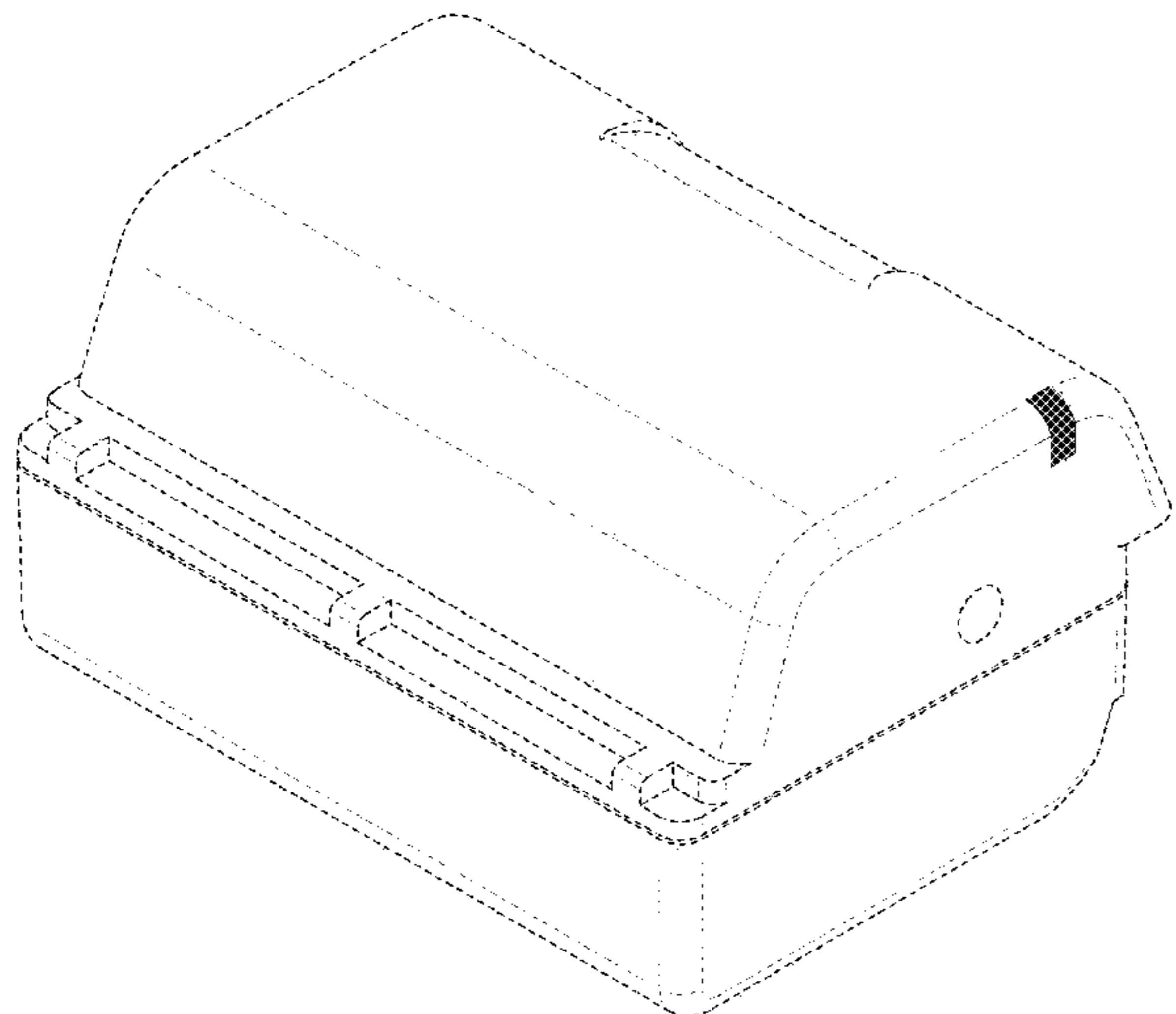
FIG. 14 is a left side elevation view thereof;

FIG. 15 is a top elevation view thereof; and,

FIG. 16 is a bottom plan view thereof.

The broken lines represent an example environment of the claimed design, and are for illustrative purposes only. The broken lines form no part of any embodiment of the claimed design.

1 Claim, 12 Drawing Sheets
(6 of 12 Drawing Sheet(s) Filed in Color)



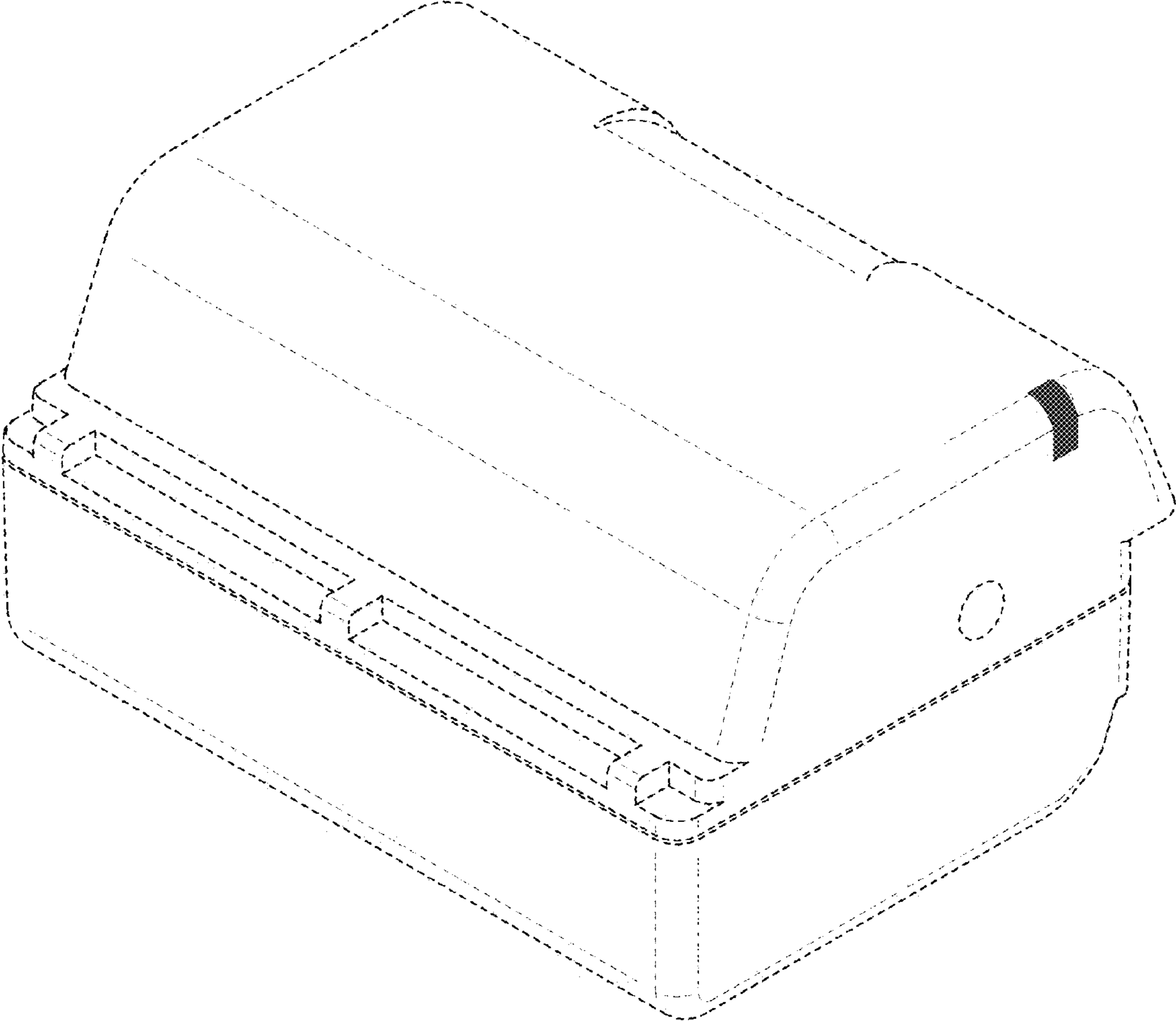


FIG. 1

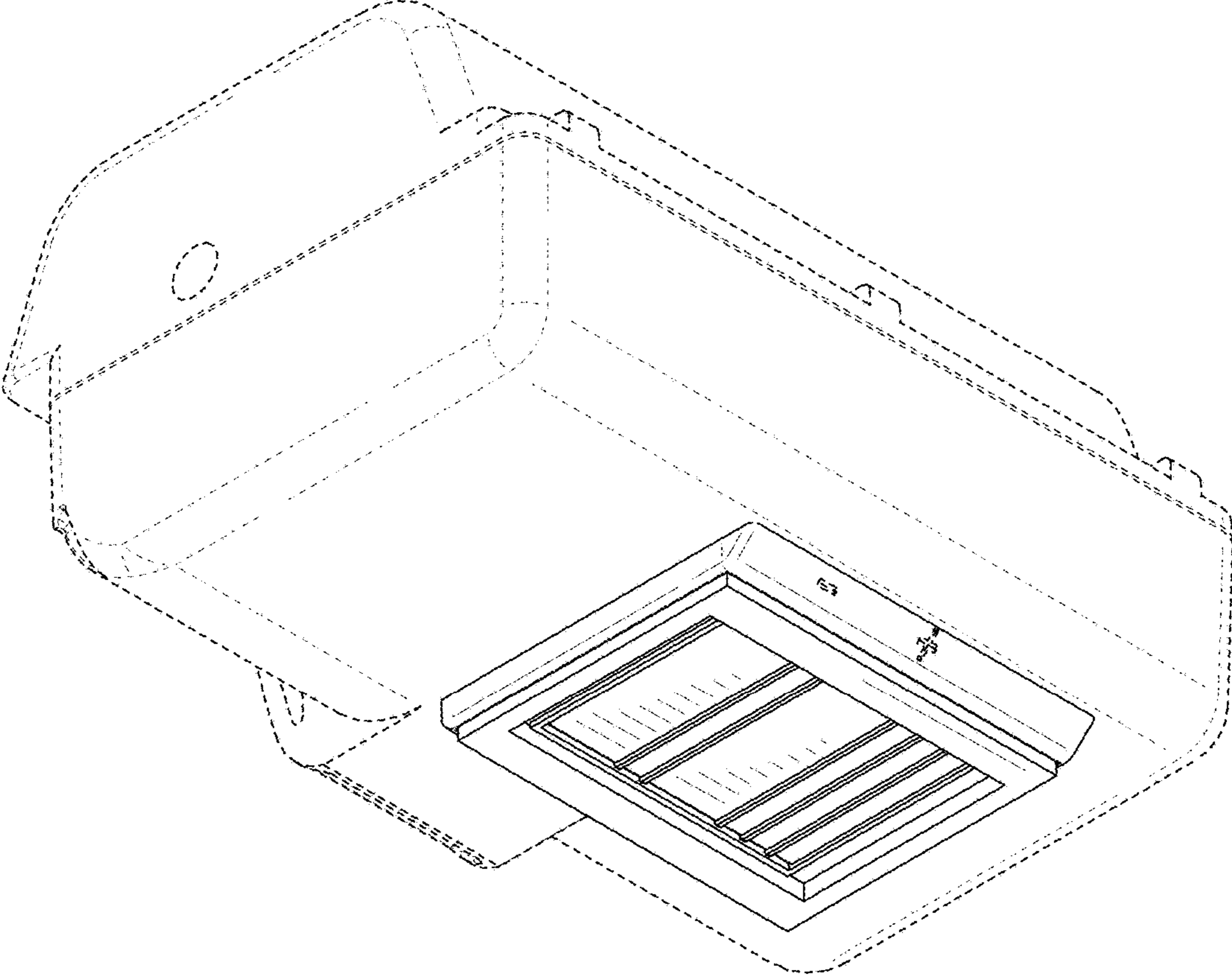


FIG. 2

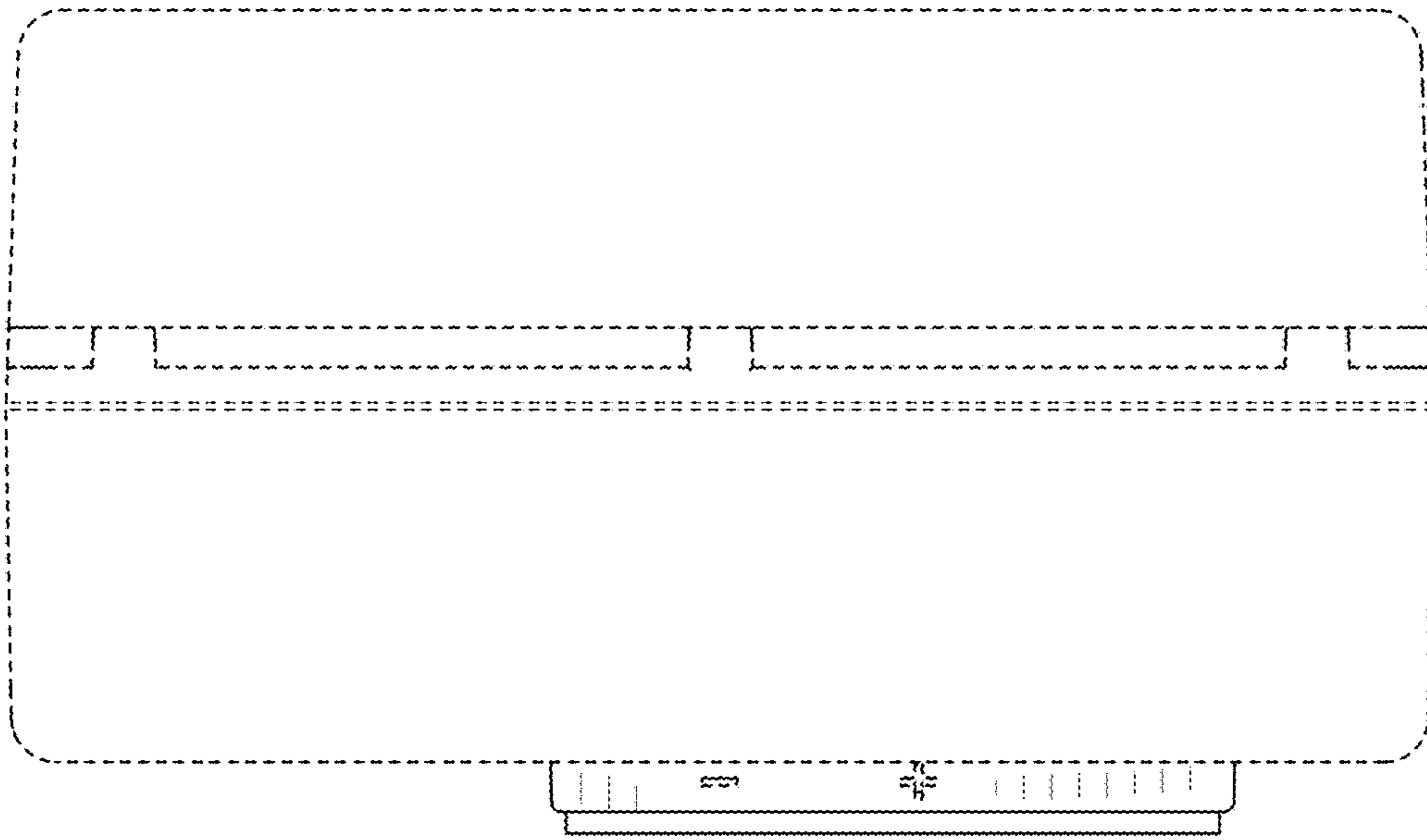


FIG. 3

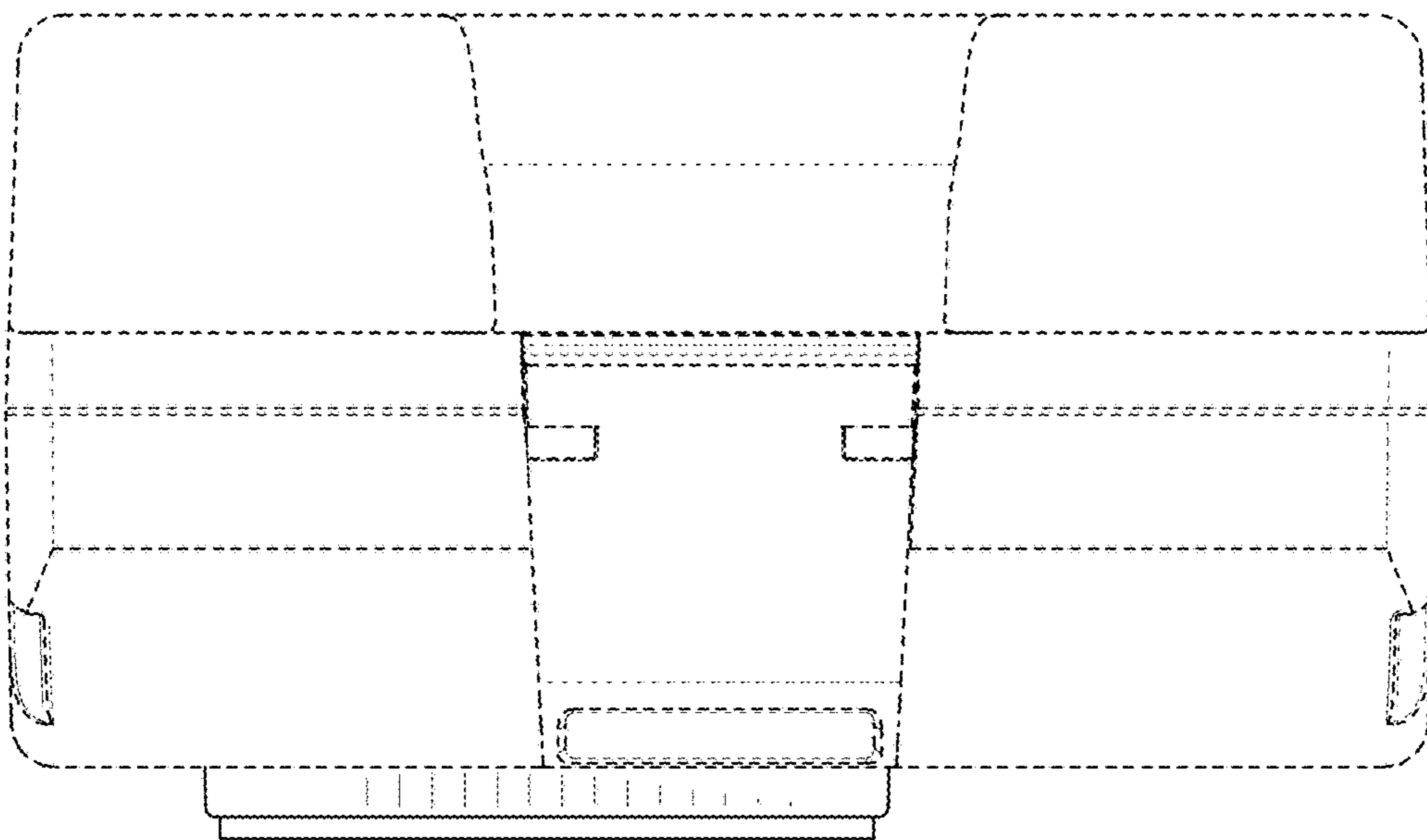


FIG. 4

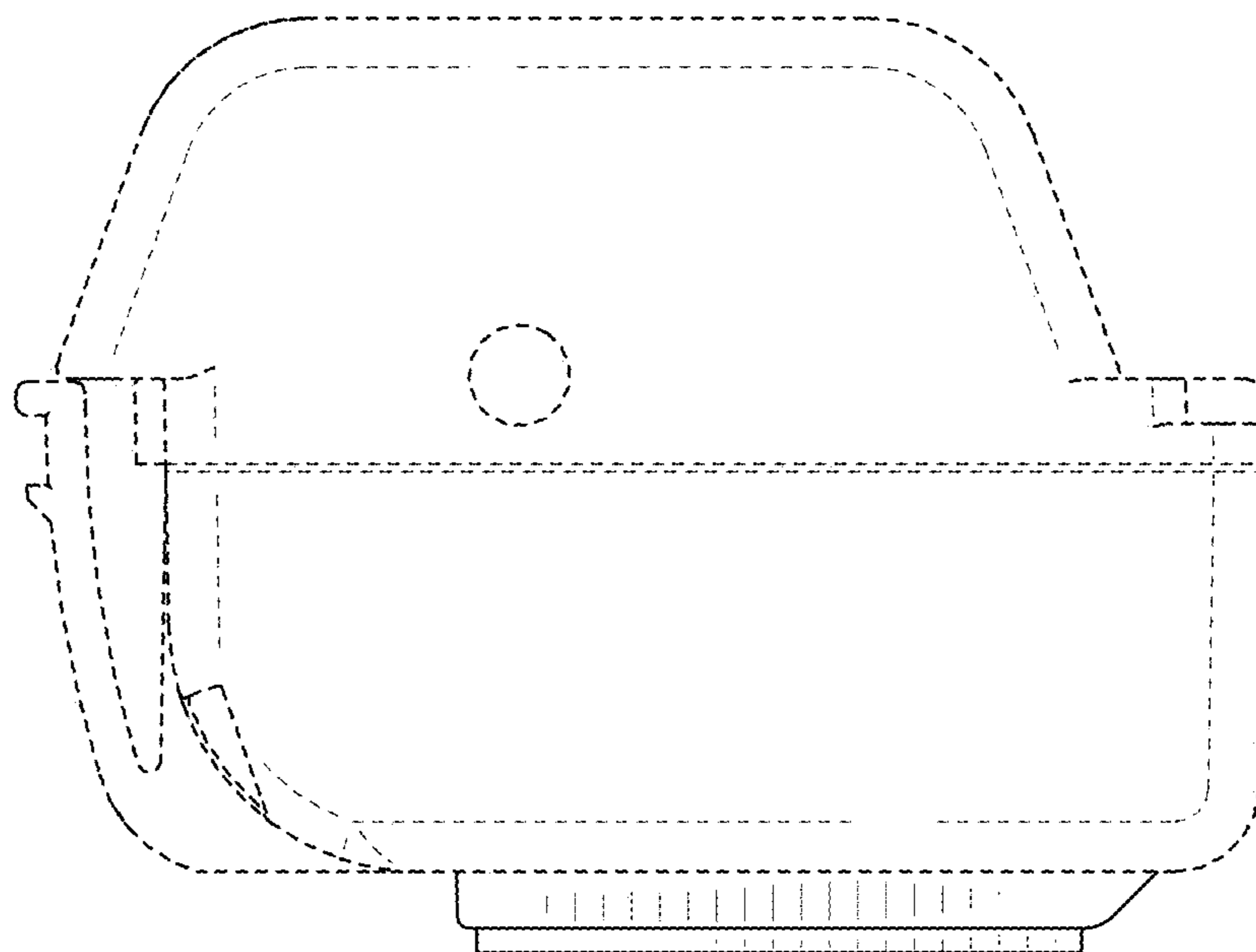


FIG. 5

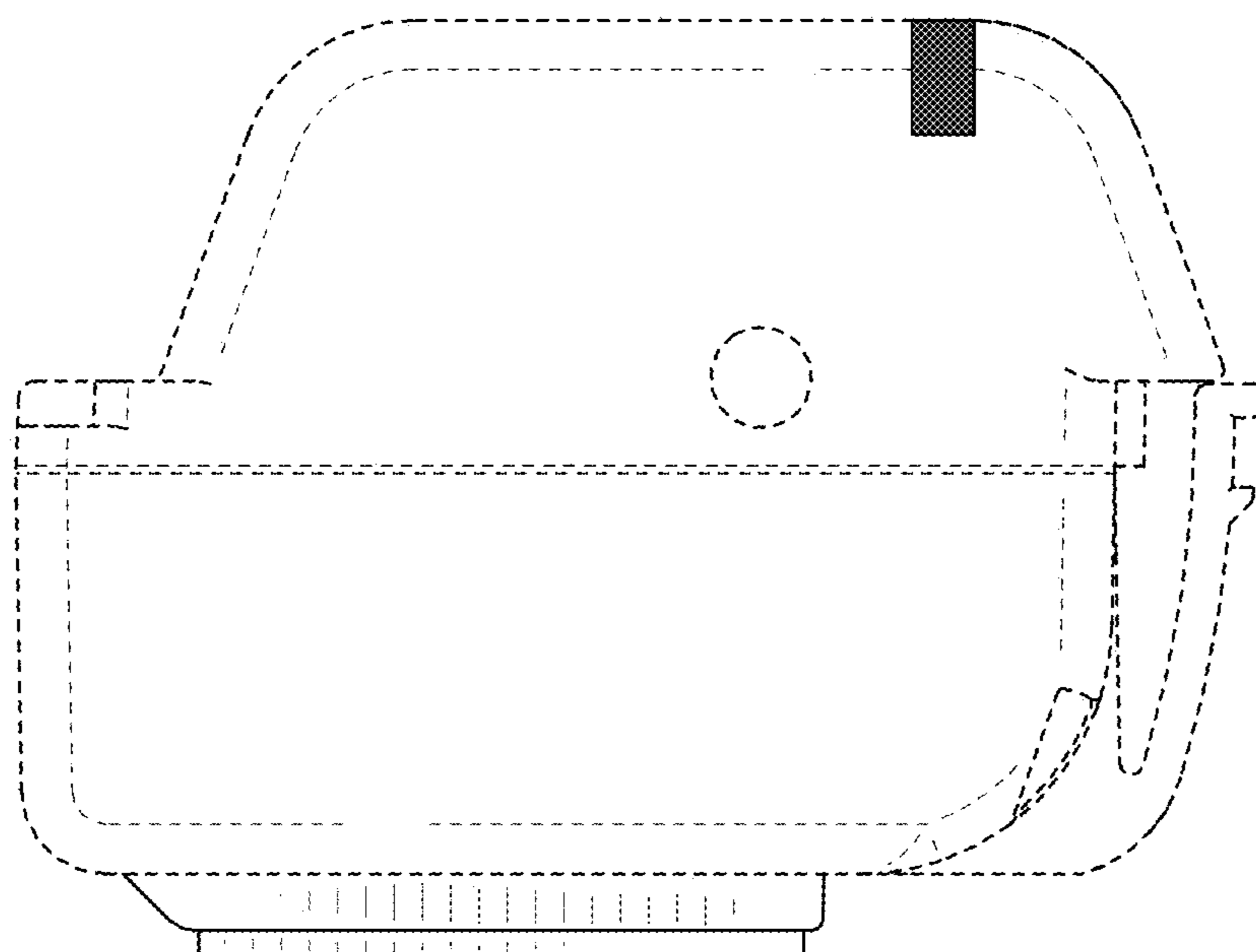


FIG. 6

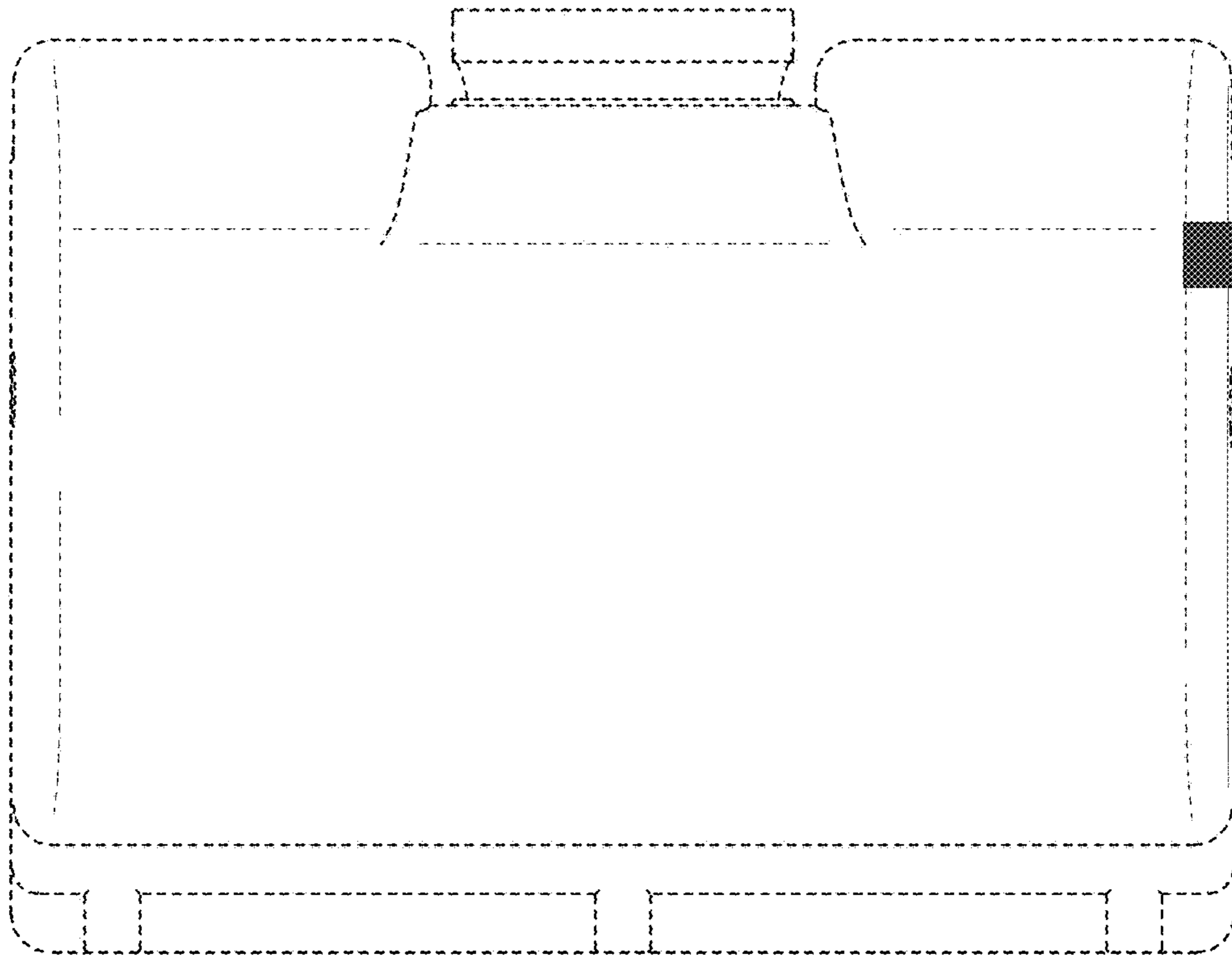


FIG. 7

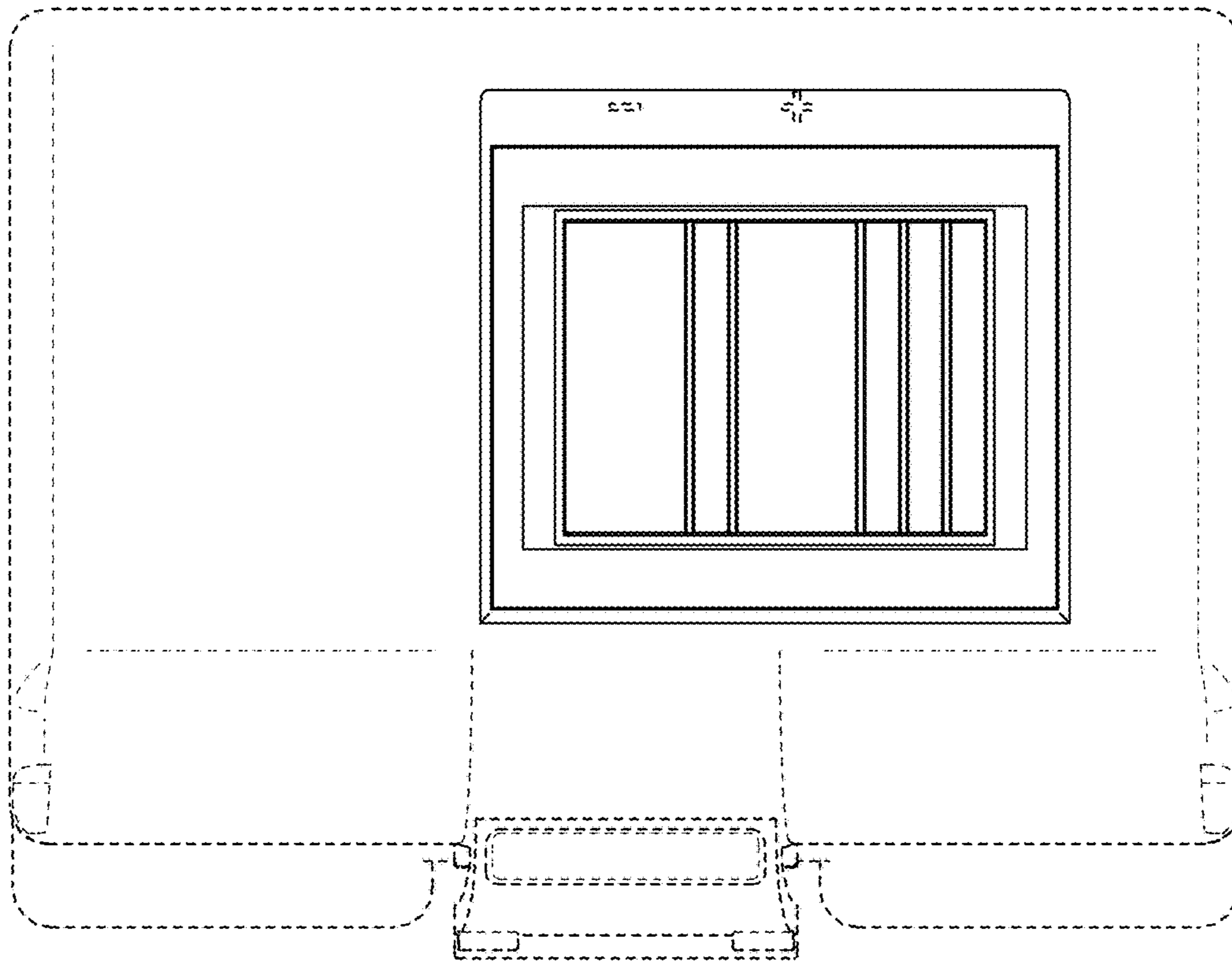


FIG. 8

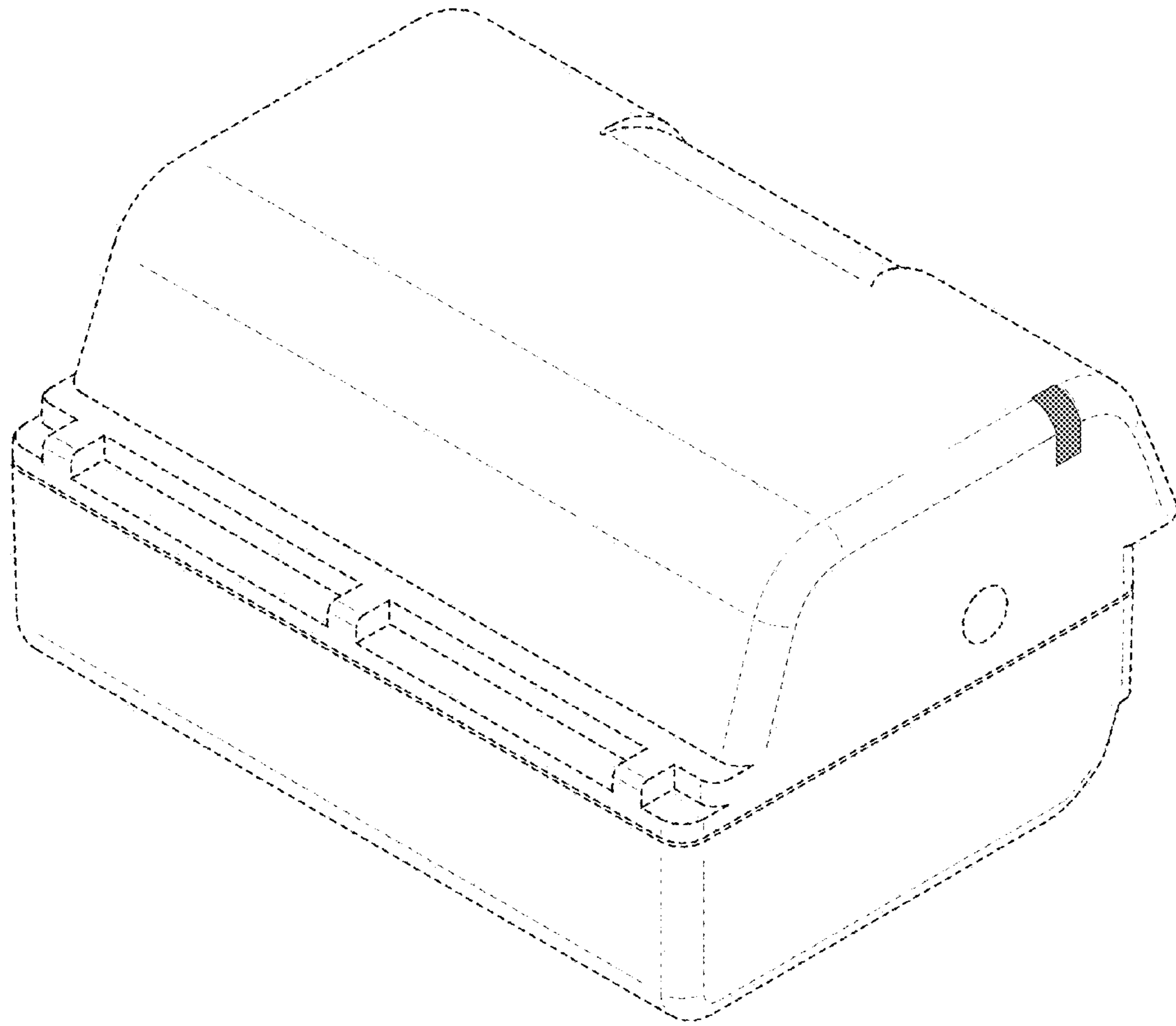


FIG. 9

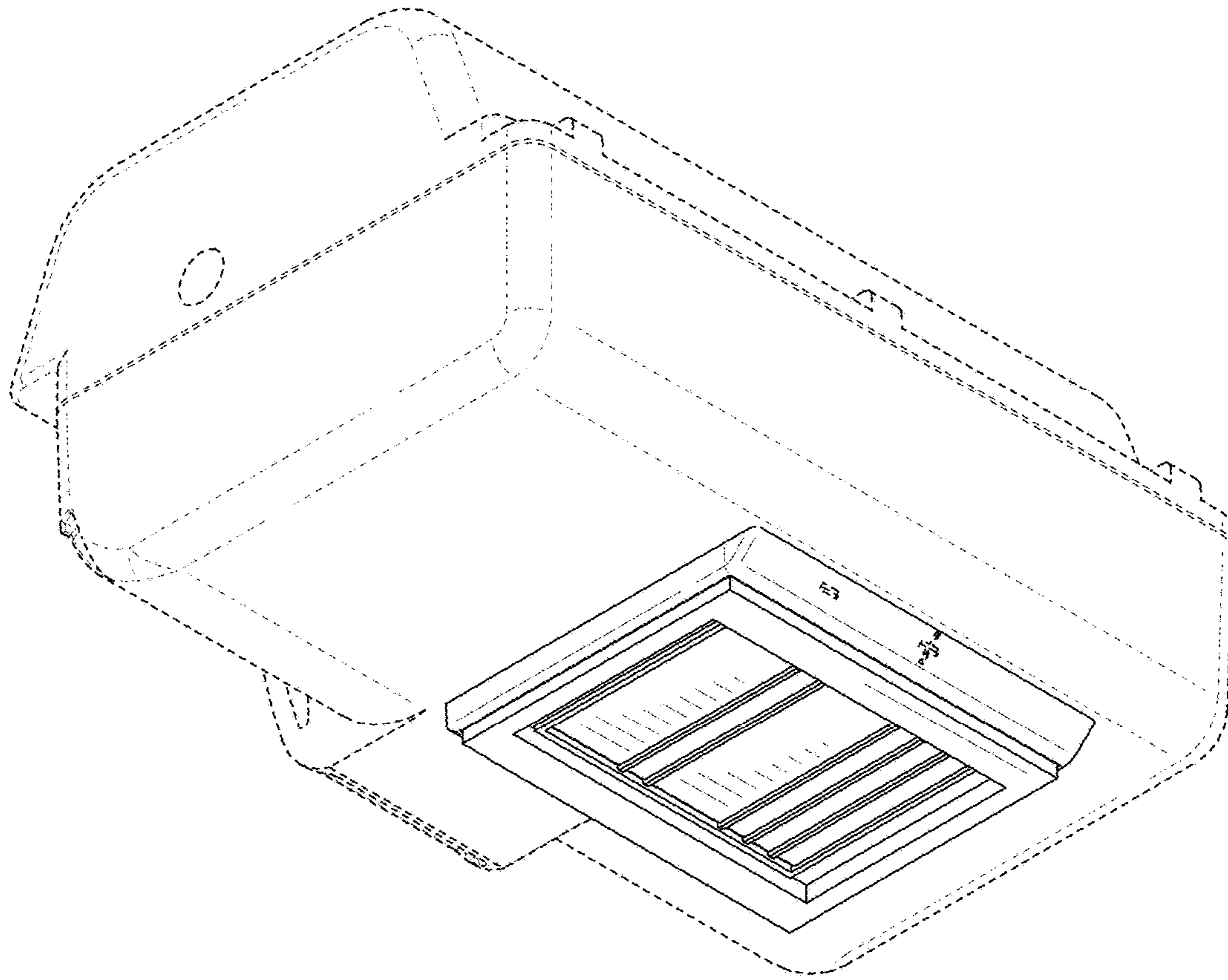


FIG. 10

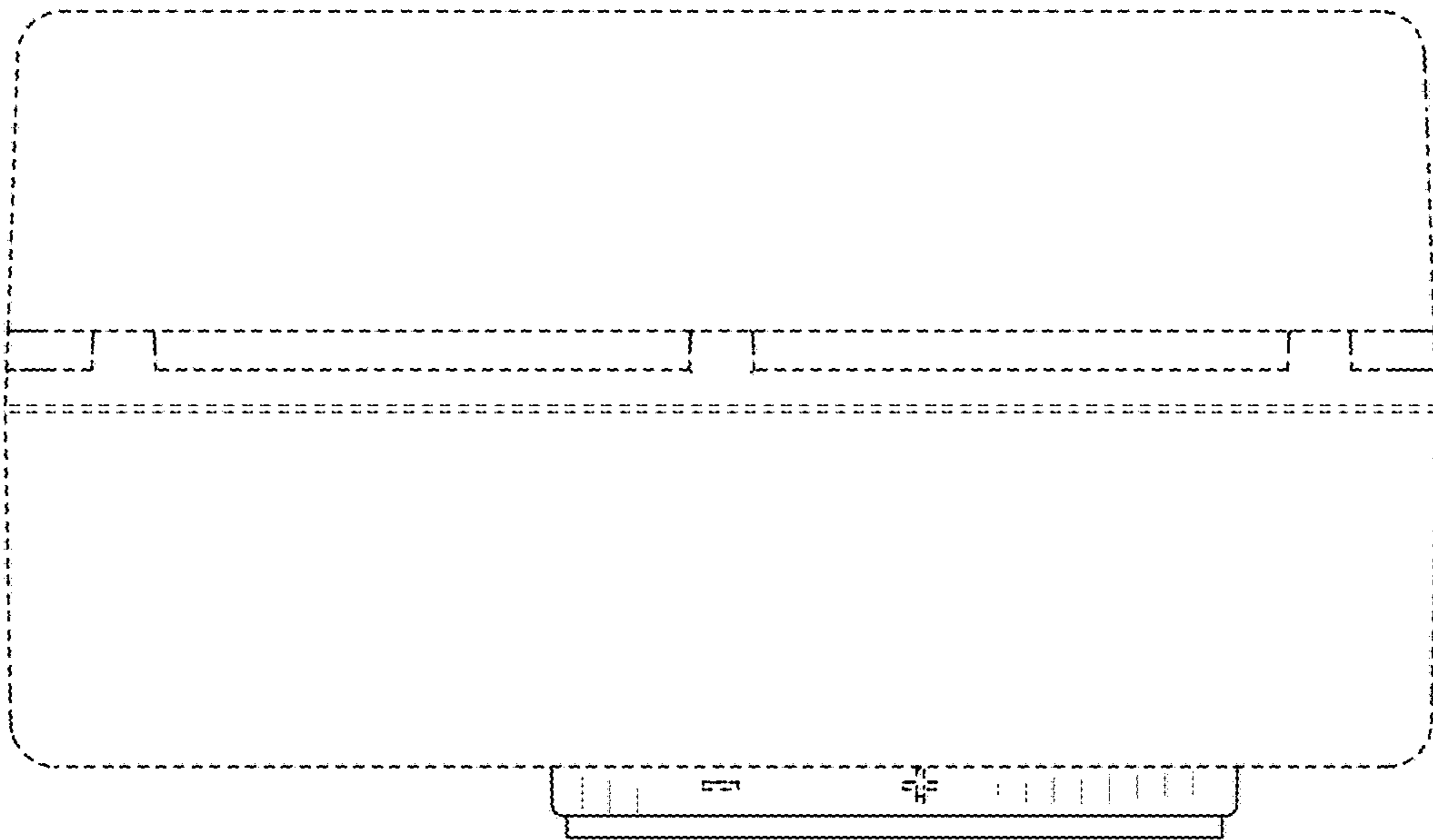


FIG. 11

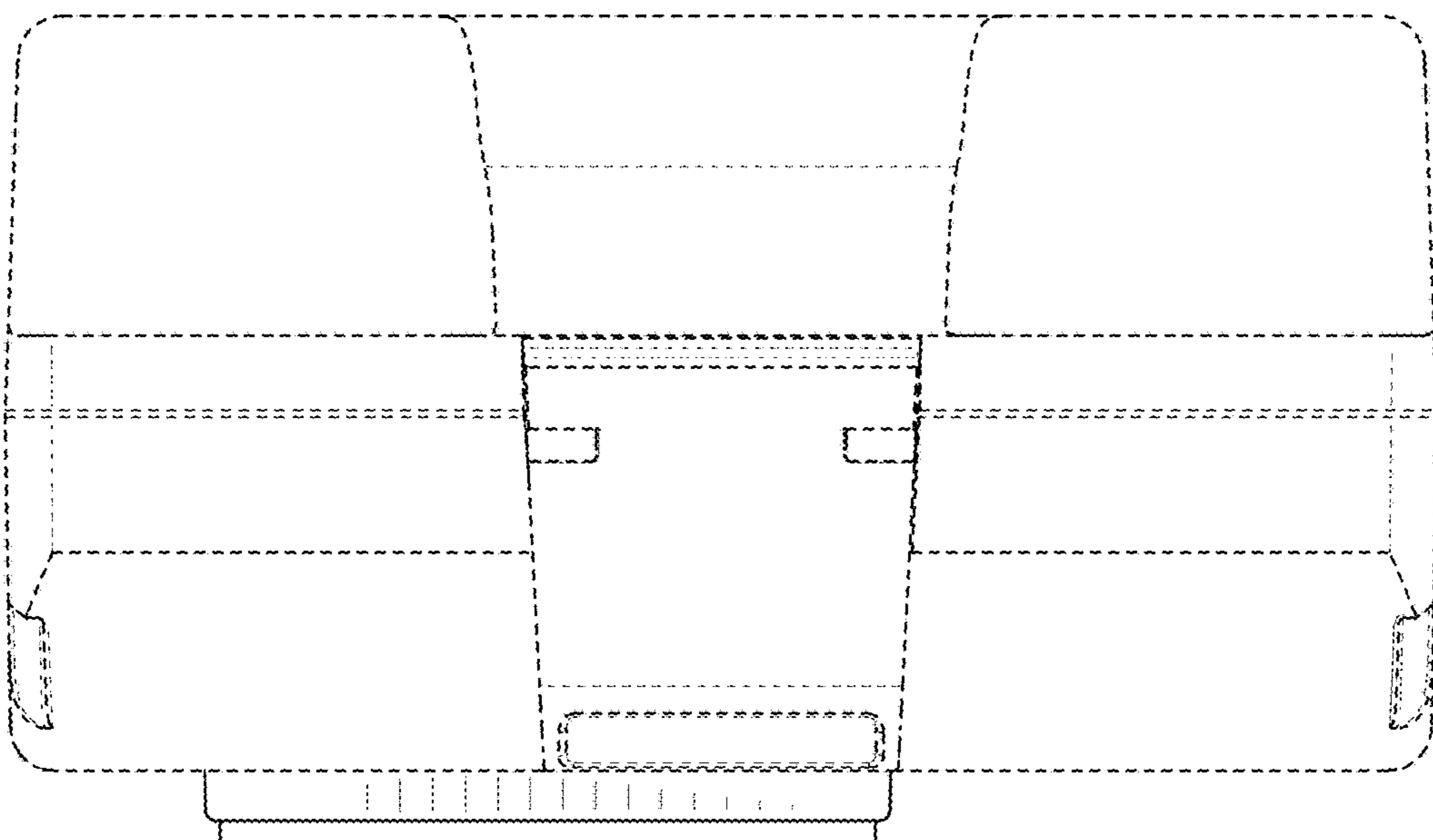


FIG. 12

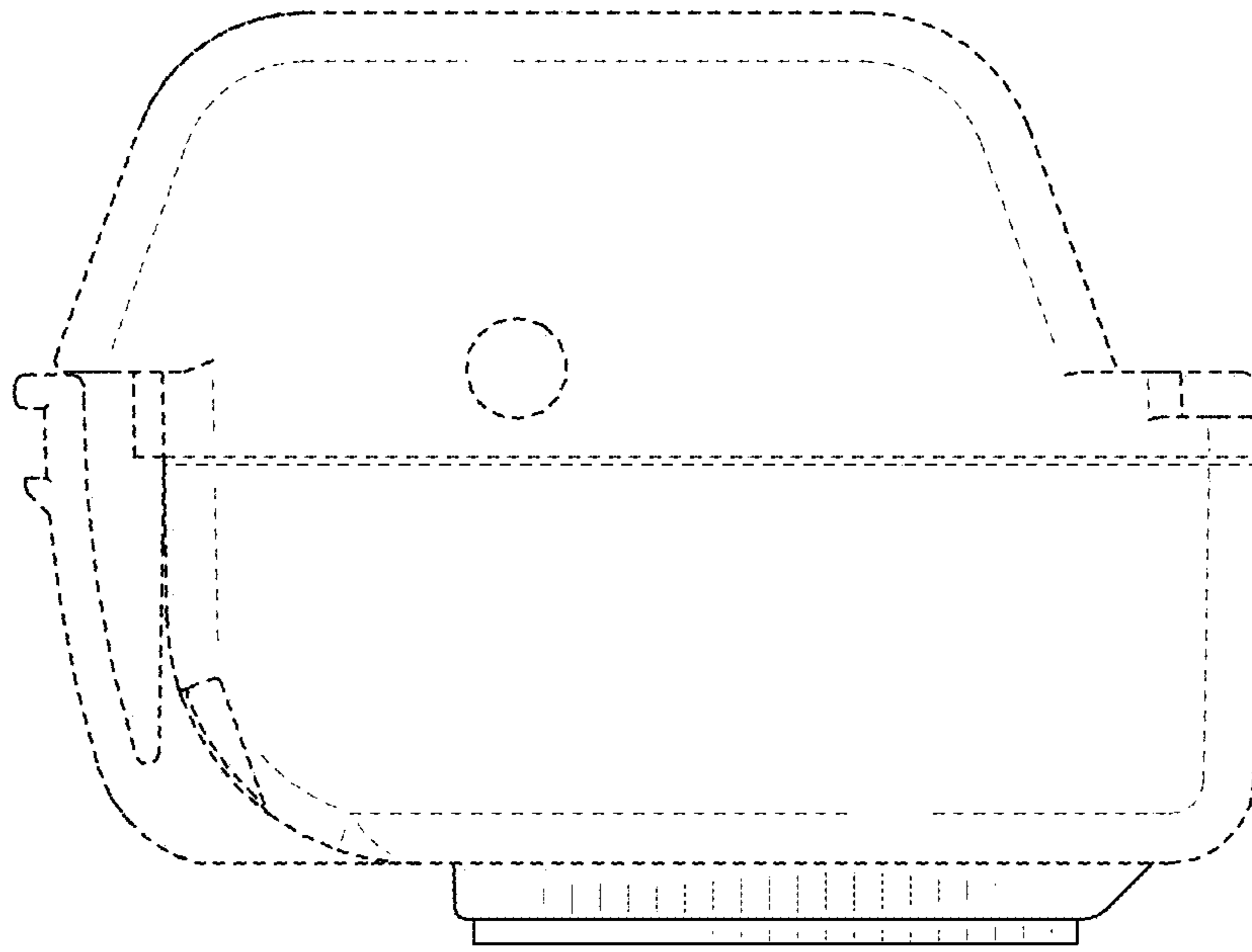


FIG. 13

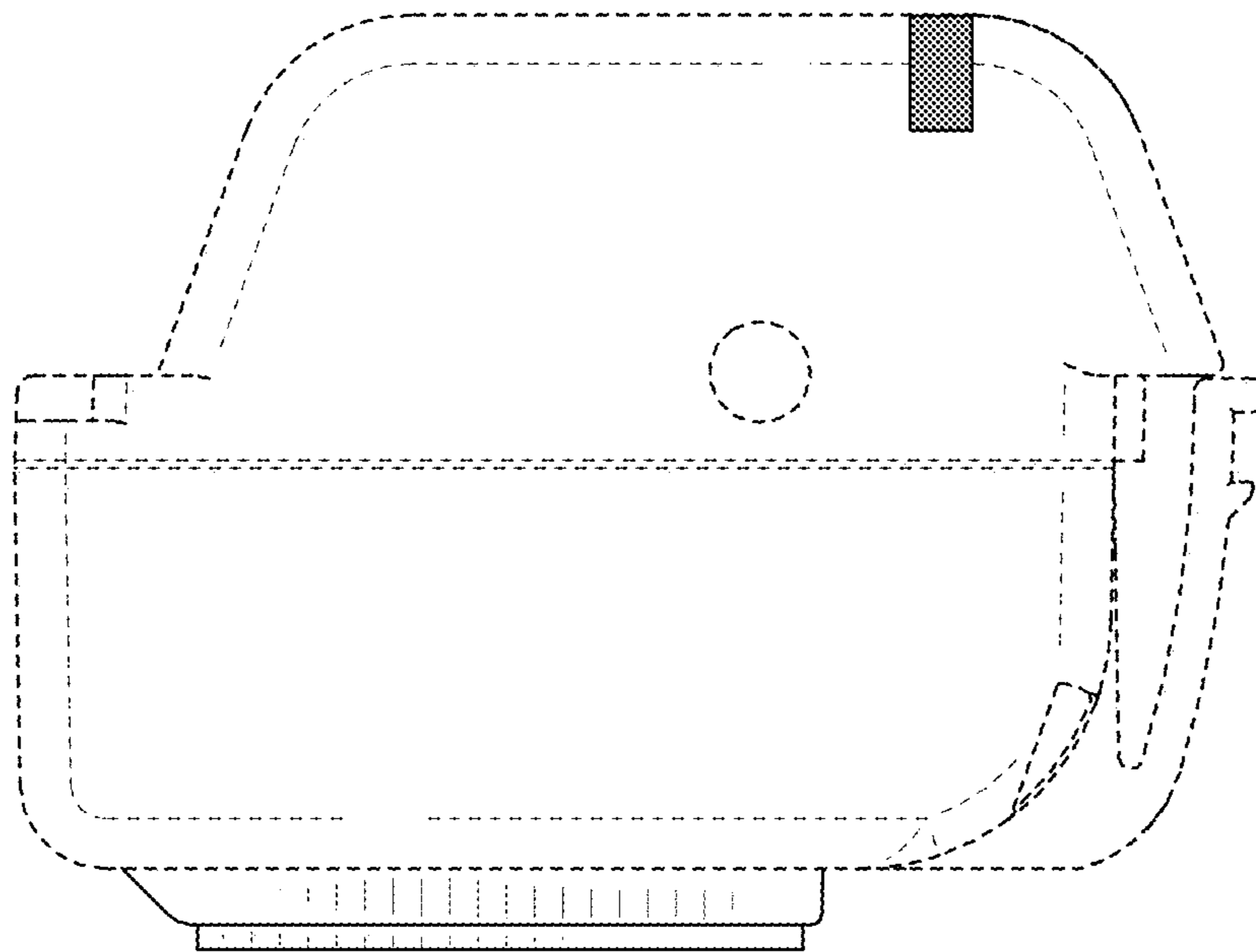


FIG. 14

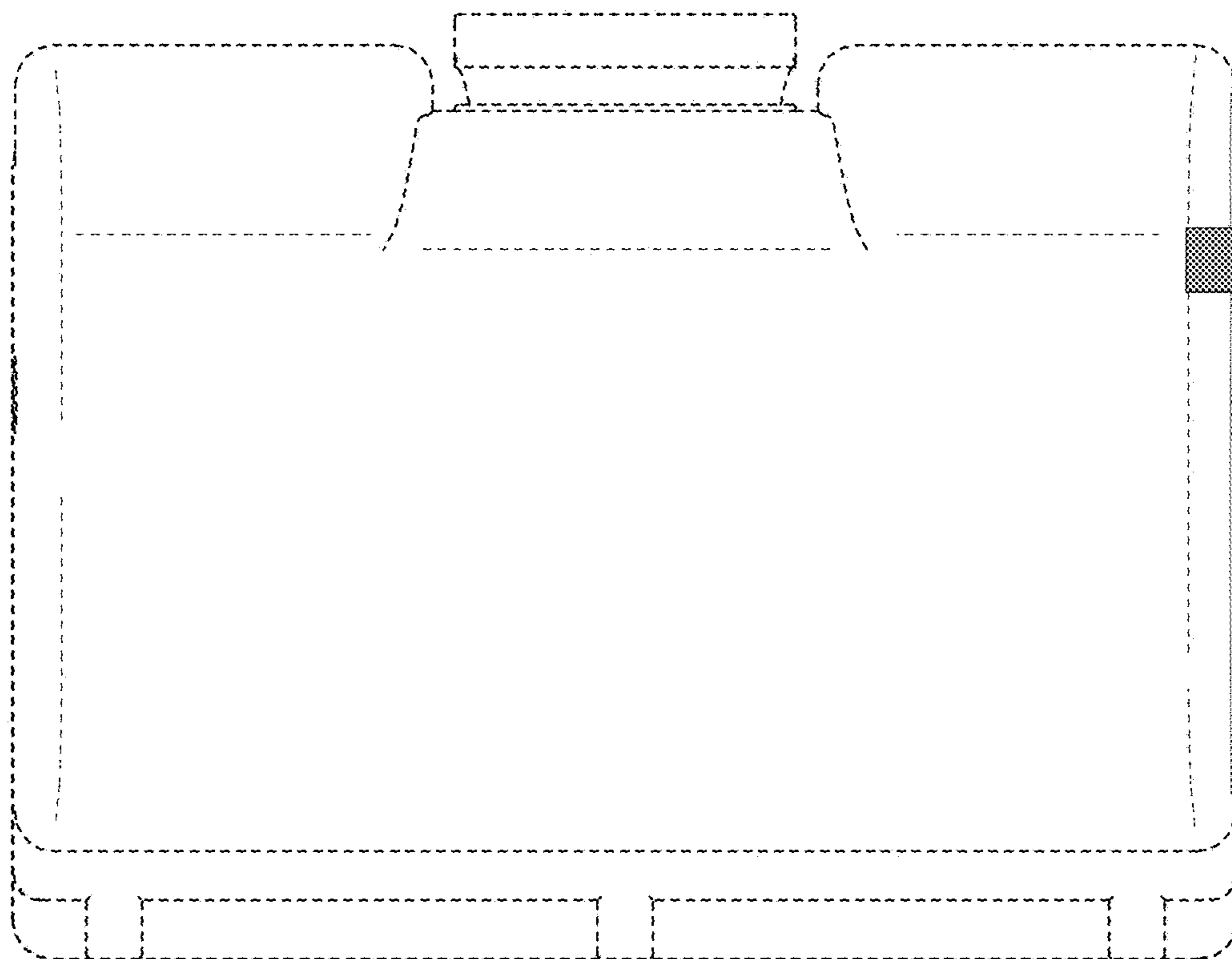


FIG. 15

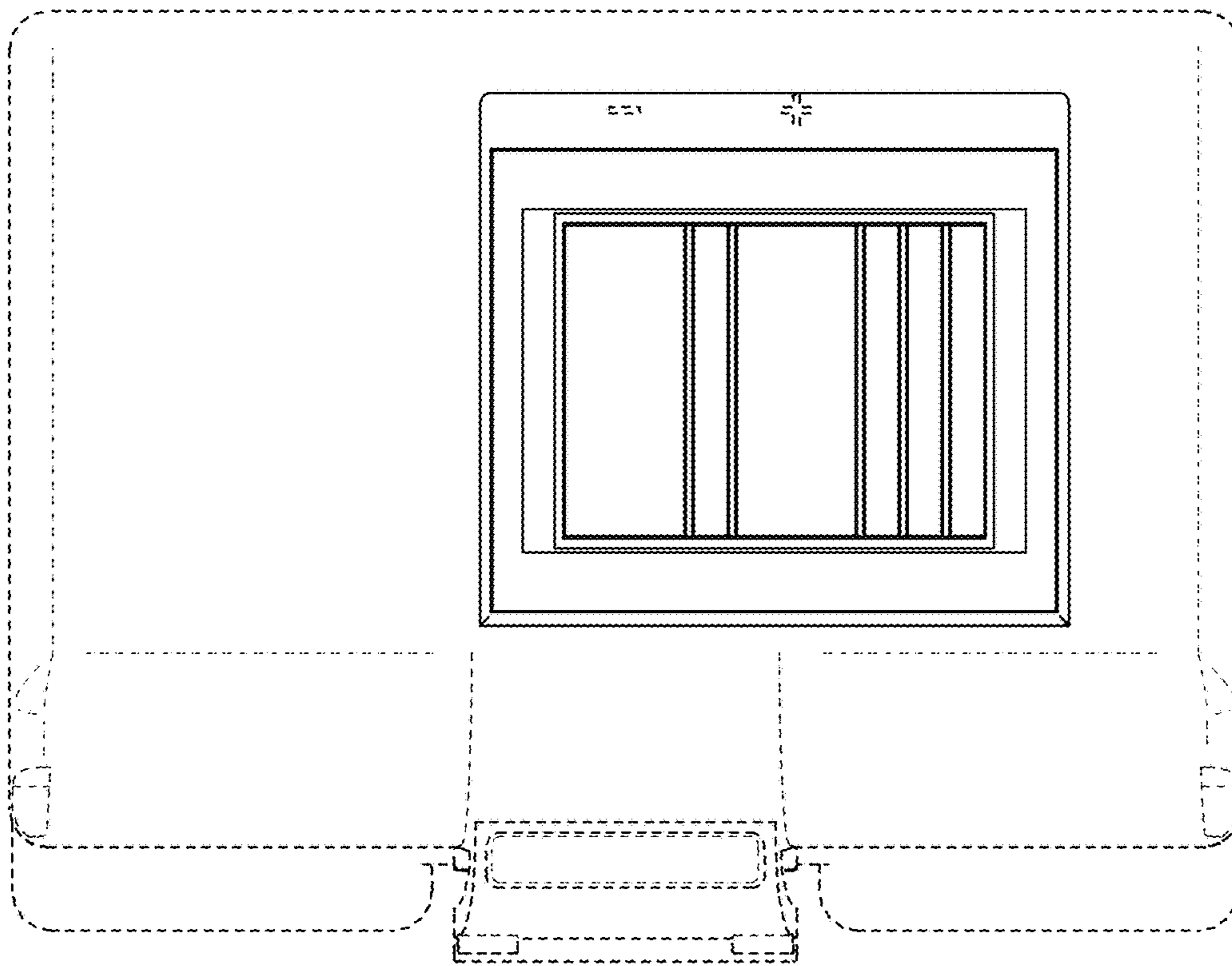


FIG. 16