



US00D785560S

(12) **United States Design Patent** (10) **Patent No.:** **US D785,560 S**
Aiken (45) **Date of Patent:** **** May 2, 2017**

(54) **MOSAIC SOLAR CELL**
(71) Applicant: **SolAero Technologies Corp.**,
Albuquerque, NM (US)
(72) Inventor: **Daniel Aiken**, Cedar Crest, NM (US)
(73) Assignee: **SolAero Technologies Corp.**,
Albuquerque, NM (US)
(**) Term: **15 Years**
(21) Appl. No.: **29/570,233**
(22) Filed: **Jul. 6, 2016**
(51) **LOC (10) Cl.** **13-02**
(52) **U.S. Cl.**
USPC **D13/102**
(58) **Field of Classification Search**
USPC D10/104.1; D13/101, 102, 103, 107,
D13/109, 118, 119, 184, 199; D14/371,
D14/432, 439, 441, 447, 451; D25/109,
D25/140, 144
CPC .. F21S 8/086; F21S 8/088; F21S 9/032; F21S
9/035; H01L 31/02008; H01L 31/0201;
H01L 31/042; H01L 31/022425; H01L
31/18
See application file for complete search history.

8,222,523 B2 7/2012 Antaya
D667,370 S 9/2012 Arletti
D674,396 S * 1/2013 Yang D14/447
8,373,613 B2 2/2013 Lin et al.
8,424,830 B2 * 4/2013 Yang A47B 23/044
248/459
8,563,847 B2 * 10/2013 Meyer G05F 1/46
136/244
8,829,328 B2 9/2014 Silverstein
8,853,527 B2 10/2014 Hieslmair
D731,408 S * 6/2015 Ko D13/102
D742,306 S * 11/2015 Tohoda D13/102
D765,024 S * 8/2016 Crist D13/102
D772,802 S * 11/2016 Haas D13/102
D772,803 S * 11/2016 Haas D13/102
2007/0261731 A1 * 11/2007 Abe H01L 31/03528
136/244

(Continued)

FOREIGN PATENT DOCUMENTS

EP 1855325 A1 11/2007
JP 2001203380 A 7/2011
JP 2012174871 A 9/2012

Primary Examiner — Garth Rademaker
Assistant Examiner — Richard Kearney

(57) **CLAIM**

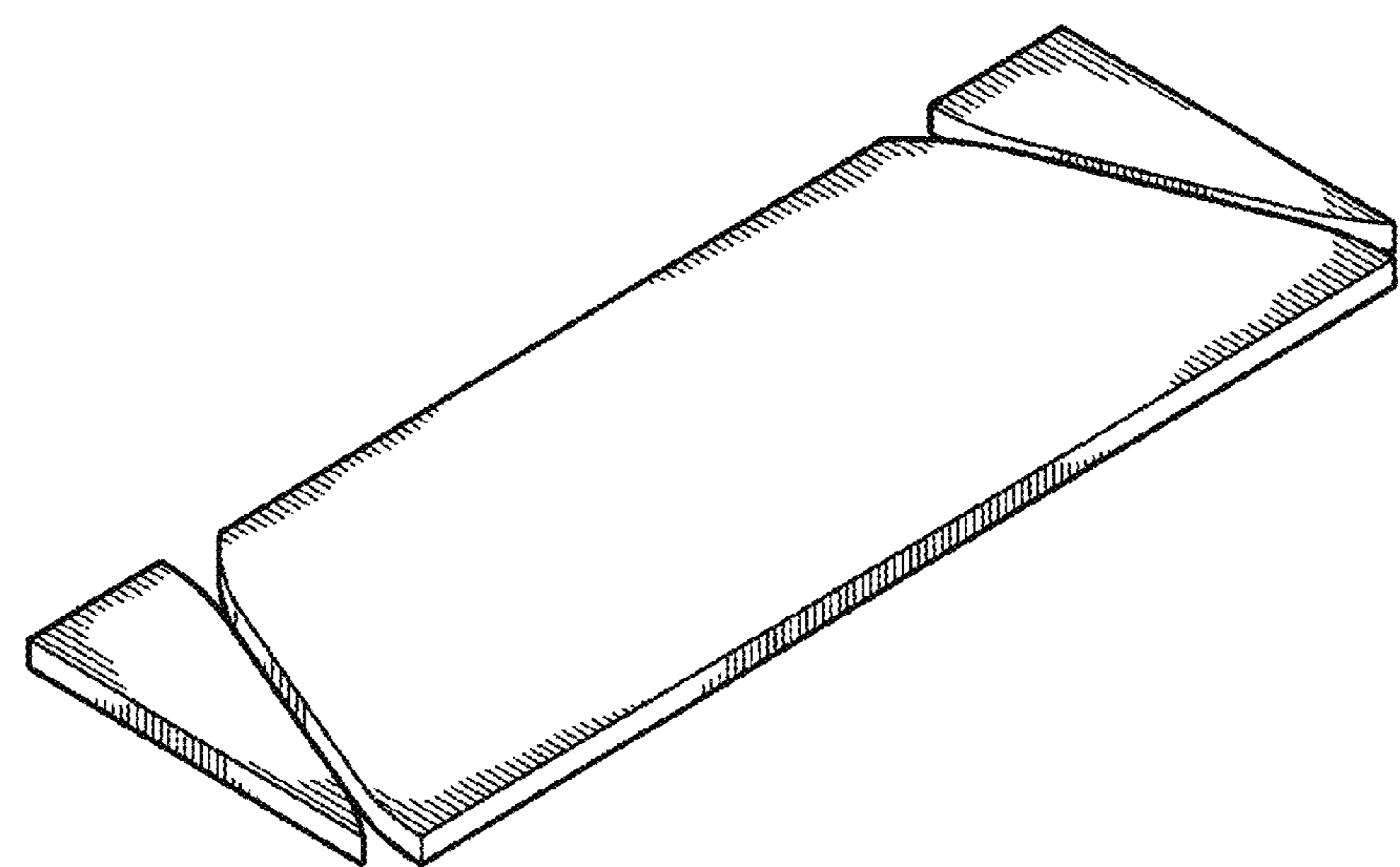
The ornamental design for a mosaic solar cell, as show and described.

DESCRIPTION

FIG. 1 is a top perspective view of a mosaic solar cell showing my new design;
FIG. 2 is a top plan view of the mosaic solar cell of FIG. 1;
FIG. 3 is a bottom plan view thereof;
FIG. 4 is a front elevation view thereof;
FIG. 5 is a rear elevation view thereof;
FIG. 6 is a left side elevation view thereof; and,
FIG. 7 is a right side elevation view thereof.

1 Claim, 2 Drawing Sheets

(56) **References Cited**
U.S. PATENT DOCUMENTS
D275,876 S 10/1984 Everett
D442,139 S 5/2001 Sasaoka
D558,139 S 12/2007 Sharma et al.
D590,768 S 4/2009 Feng et al.
7,902,451 B2 3/2011 Shimizu
7,902,510 B2 3/2011 Mann et al.
D641,692 S * 7/2011 Wharram D13/102
8,049,096 B2 * 11/2011 Yagiura H01L 31/0352
136/244



(56)

References Cited

U.S. PATENT DOCUMENTS

2010/0147372 A1* 6/2010 Meck H01L 27/142
136/255
2010/0294333 A1 11/2010 Wang et al.
2011/0061706 A1 3/2011 Park et al.
2011/0061716 A1 3/2011 Myong
2013/0068278 A1 3/2013 Kataoka
2016/0359079 A1* 12/2016 Clevenger H01L 31/049

* cited by examiner

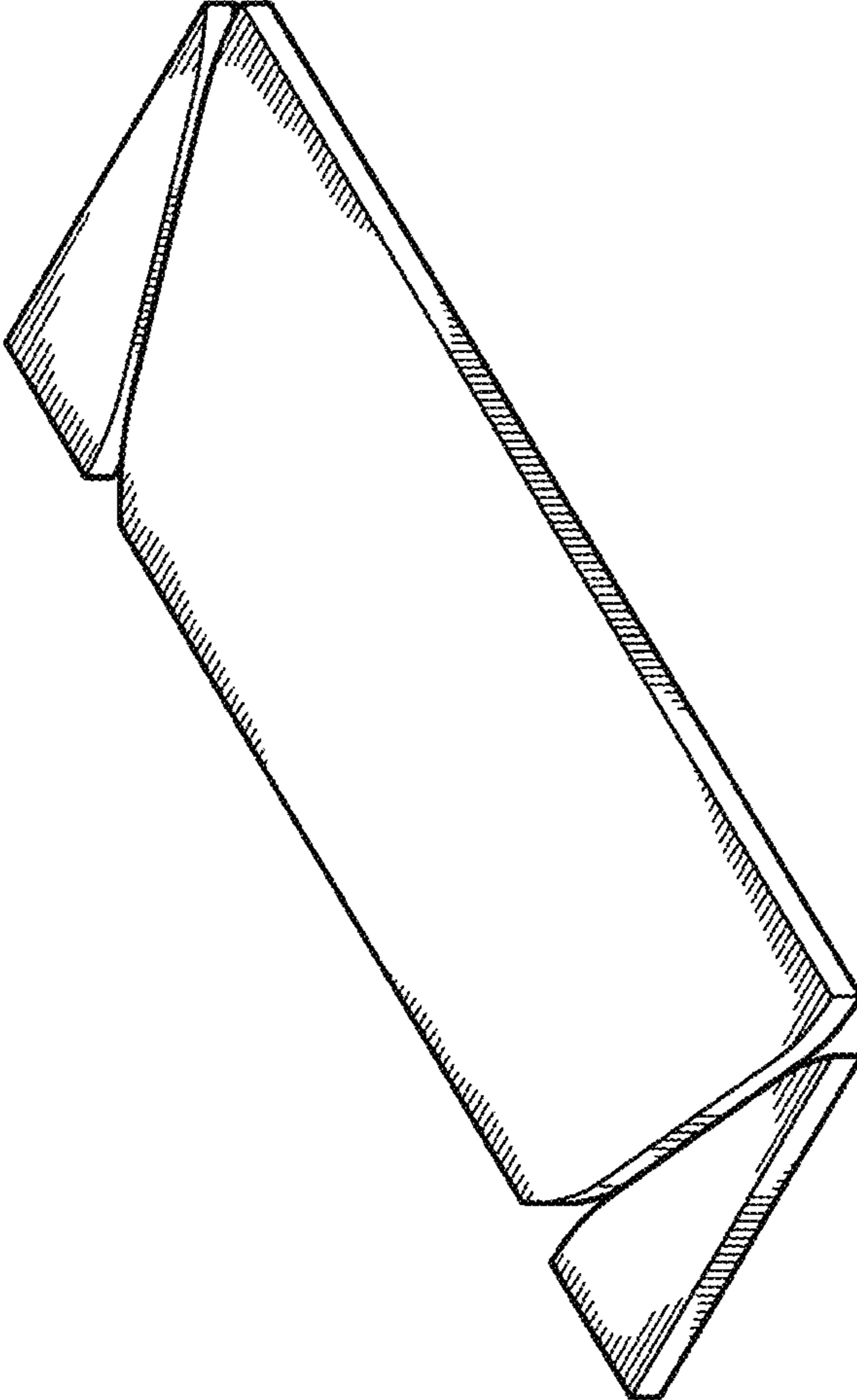


FIG. 1

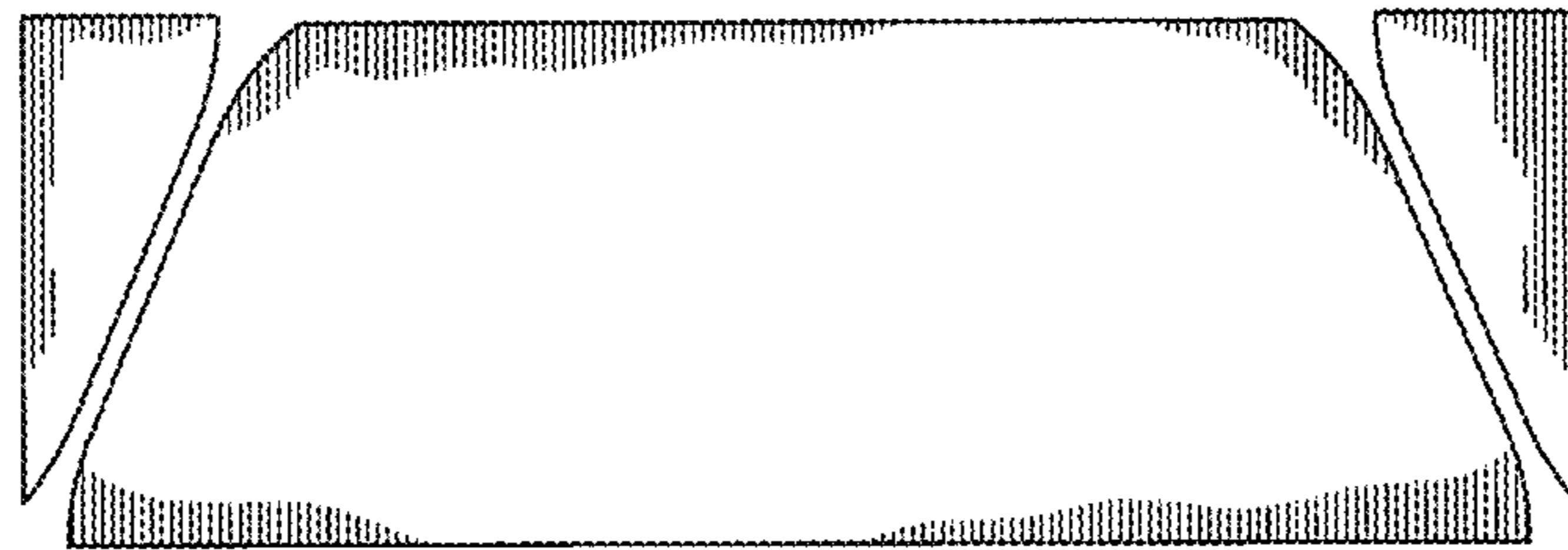


FIG. 2

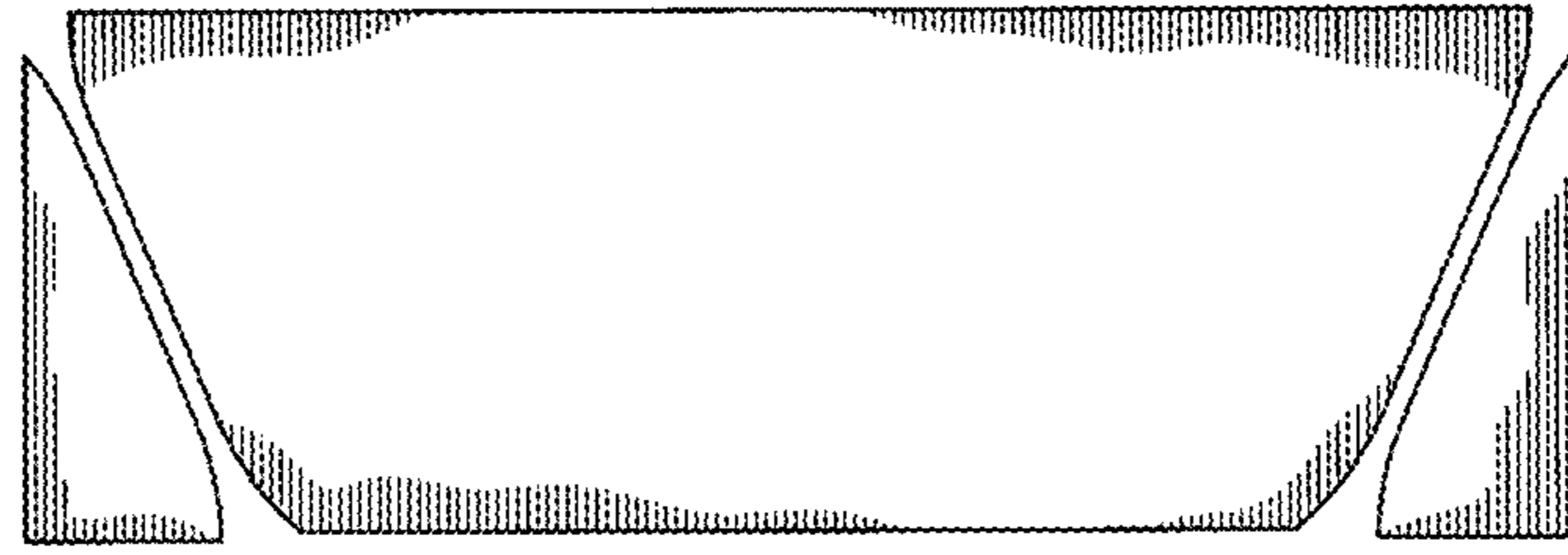


FIG. 3



FIG. 5



FIG. 4



FIG. 6



FIG. 7