



US00D785555S

(12) **United States Design Patent** (10) **Patent No.:** **US D785,555 S**  
**Bacher** (45) **Date of Patent:** **\*\* May 2, 2017**

(54) **TIRE TREAD**

(71) Applicants: **COMPAGNIE GENERALE DES ETABLISSEMENTS MICHELIN**, Clermont-Ferrand (FR); **Michelin Recherche et Technique S.A.**, Granges-Paccot (CH)

(72) Inventor: **Guillaume Bacher**, Clermont-Ferrand (FR)

(73) Assignees: **COMPAGNIE GENERALE DES ETABLISSEMENTS MICHELIN** (FR); **MICHELIN RECHERCHE ET TECHNIQUE S.A.** (CH)

(\*\*) Term: **15 Years**

(21) Appl. No.: **29/562,893**

(22) Filed: **Apr. 29, 2016**

(30) **Foreign Application Priority Data**

Oct. 30, 2015 (FR) ..... 2015-5331

(51) **LOC (10) Cl.** ..... **12-15**

(52) **U.S. Cl.**  
USPC ..... **D12/600; D12/588**

(58) **Field of Classification Search**  
USPC ..... D12/568-604, 900  
CPC ..... B60C 1/0016; B60C 11/0306; B60C 11/0302; B60C 3/06; B60C 9/17  
See application file for complete search history.

(56) **References Cited**

**U.S. PATENT DOCUMENTS**

D452,199 S \* 12/2001 Robert ..... D12/594  
D647,467 S \* 10/2011 Bonhomme ..... D12/588

D647,468 S 10/2011 Weaver et al.  
D675,981 S 2/2013 Kuwahara  
D686,145 S 7/2013 Godin et al.  
D719,907 S \* 12/2014 Ohara ..... D12/588  
D722,950 S 2/2015 Compte et al.  
D728,463 S \* 5/2015 Lindner ..... D12/588  
D735,646 S 8/2015 Hair et al.  
D739,343 S 9/2015 Gommez  
D759,584 S \* 6/2016 Ono ..... D12/588  
D761,194 S \* 7/2016 Dixon ..... D12/600  
D761,197 S \* 7/2016 Dixon ..... D12/602  
D767,476 S \* 9/2016 Kristen ..... D12/583

\* cited by examiner

*Primary Examiner* — Robert M Spear

*Assistant Examiner* — John Voytek

(74) *Attorney, Agent, or Firm* — Dickinson Wright PLLC

(57) **CLAIM**

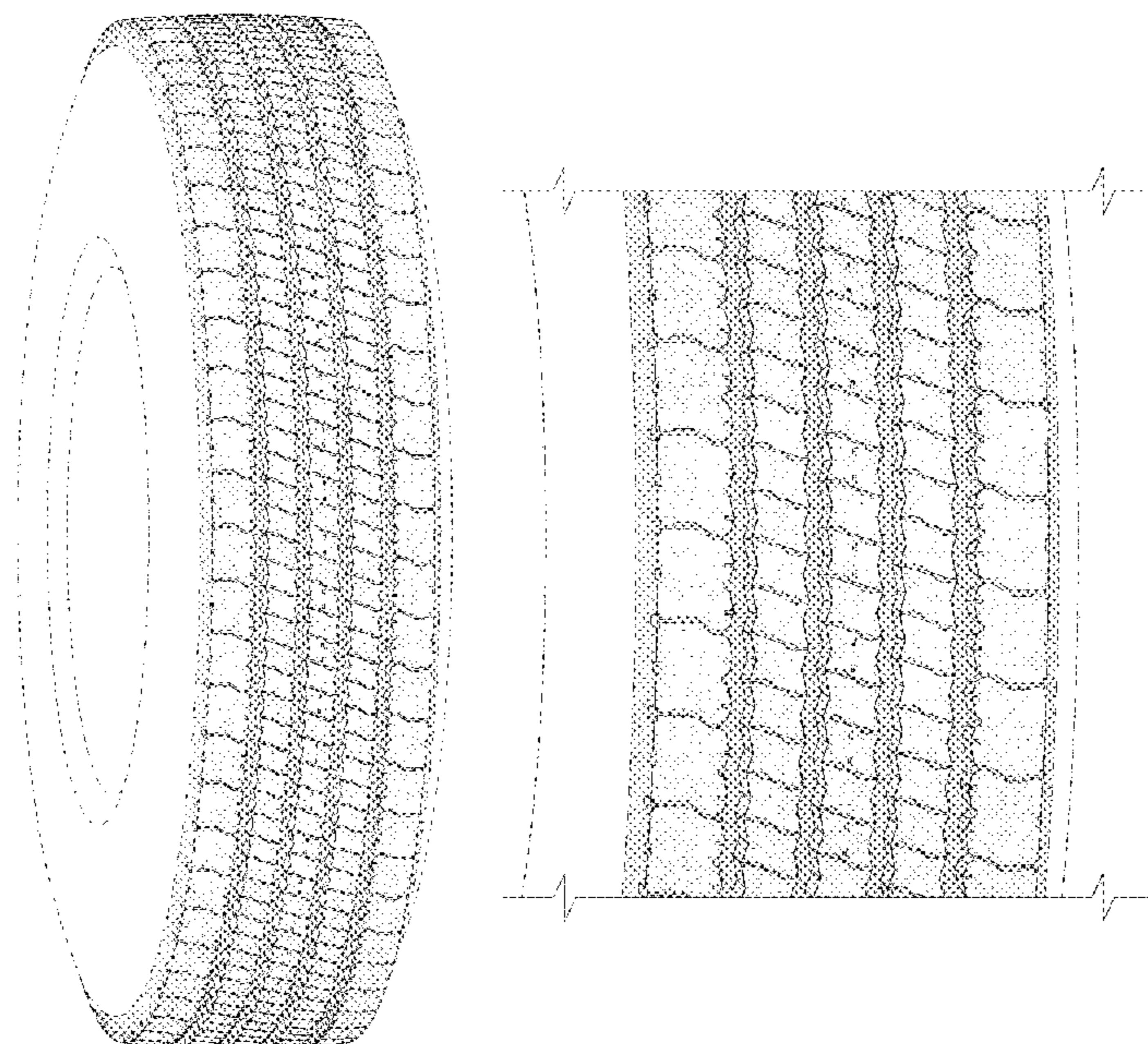
The ornamental design for a tire tread, as shown and described.

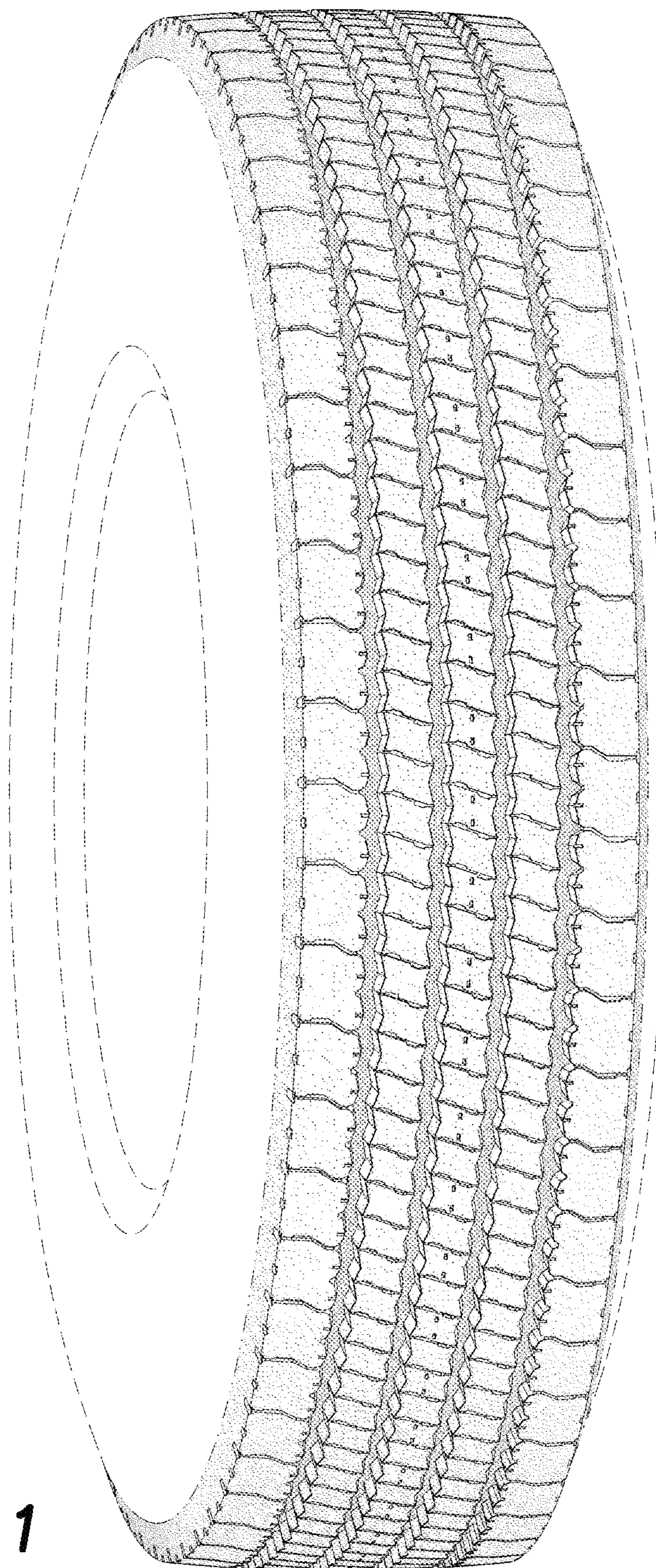
**DESCRIPTION**

FIG. 1 is a perspective view of the tire tread of my design; FIG. 2 is a front elevation view of the tire tread of my design; FIG. 3 is a side elevation view of the tire tread of my design; FIG. 4 is a side elevation view of the tire tread of my design, taken from the opposite side of that shown in FIG. 3; and, FIG. 5 is an enlarged, partial view of the tire tread of FIG. 1, as indicated by the break lines.

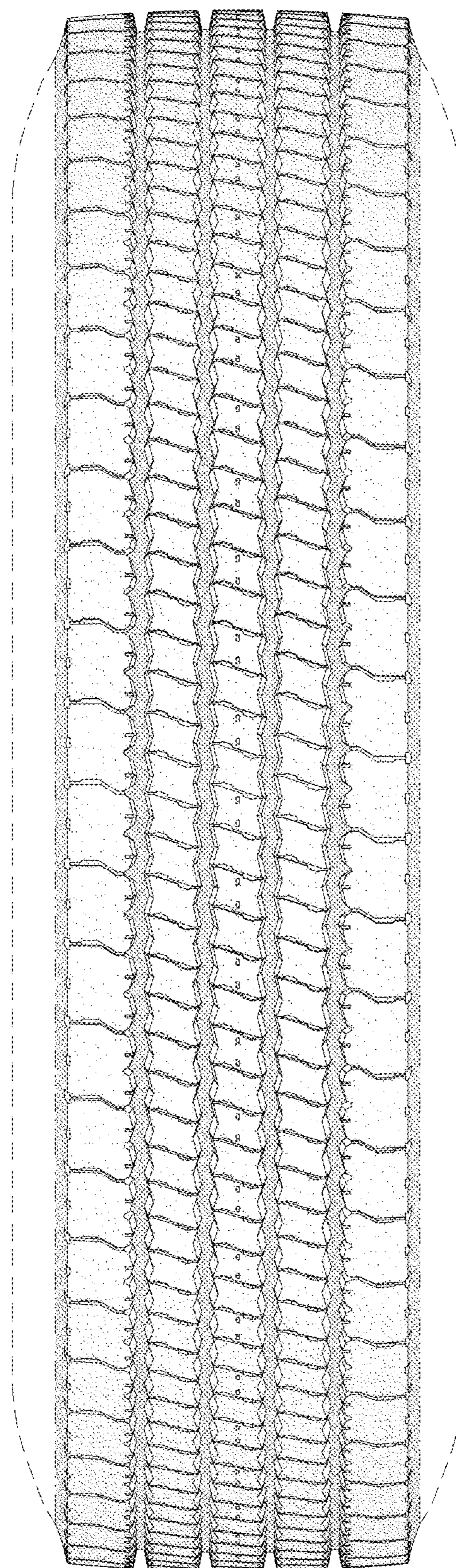
In the drawings, the broken lines defining the sidewall and inner bead depict environmental subject matter that forms no part of the claimed design. The dash-dot-dot-dash line defines the peripheral boundary between the claimed tire tread and the unclaimed sidewall. The tread pattern repeats uniformly throughout the circumference of the tire.

**1 Claim, 5 Drawing Sheets**

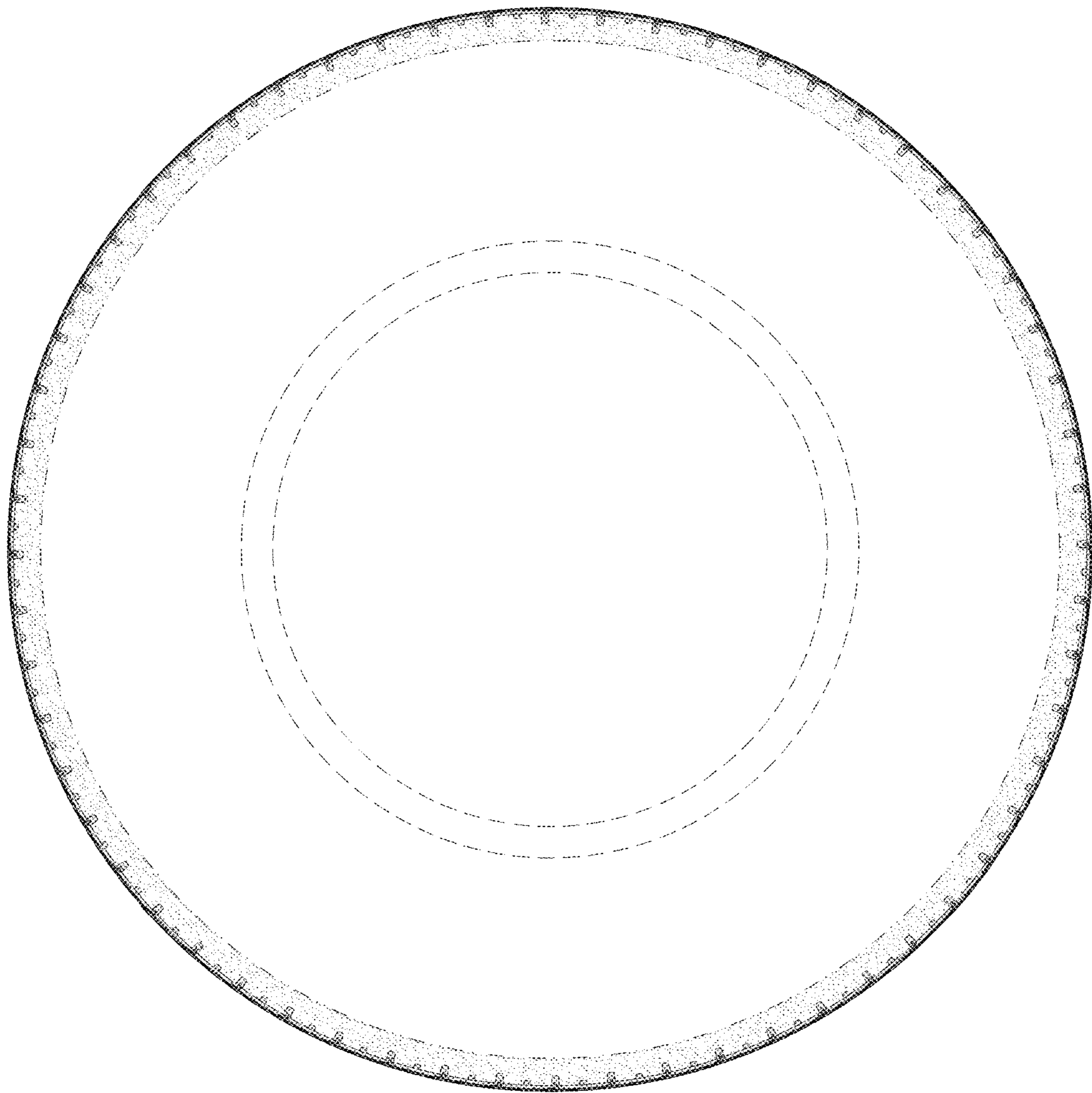




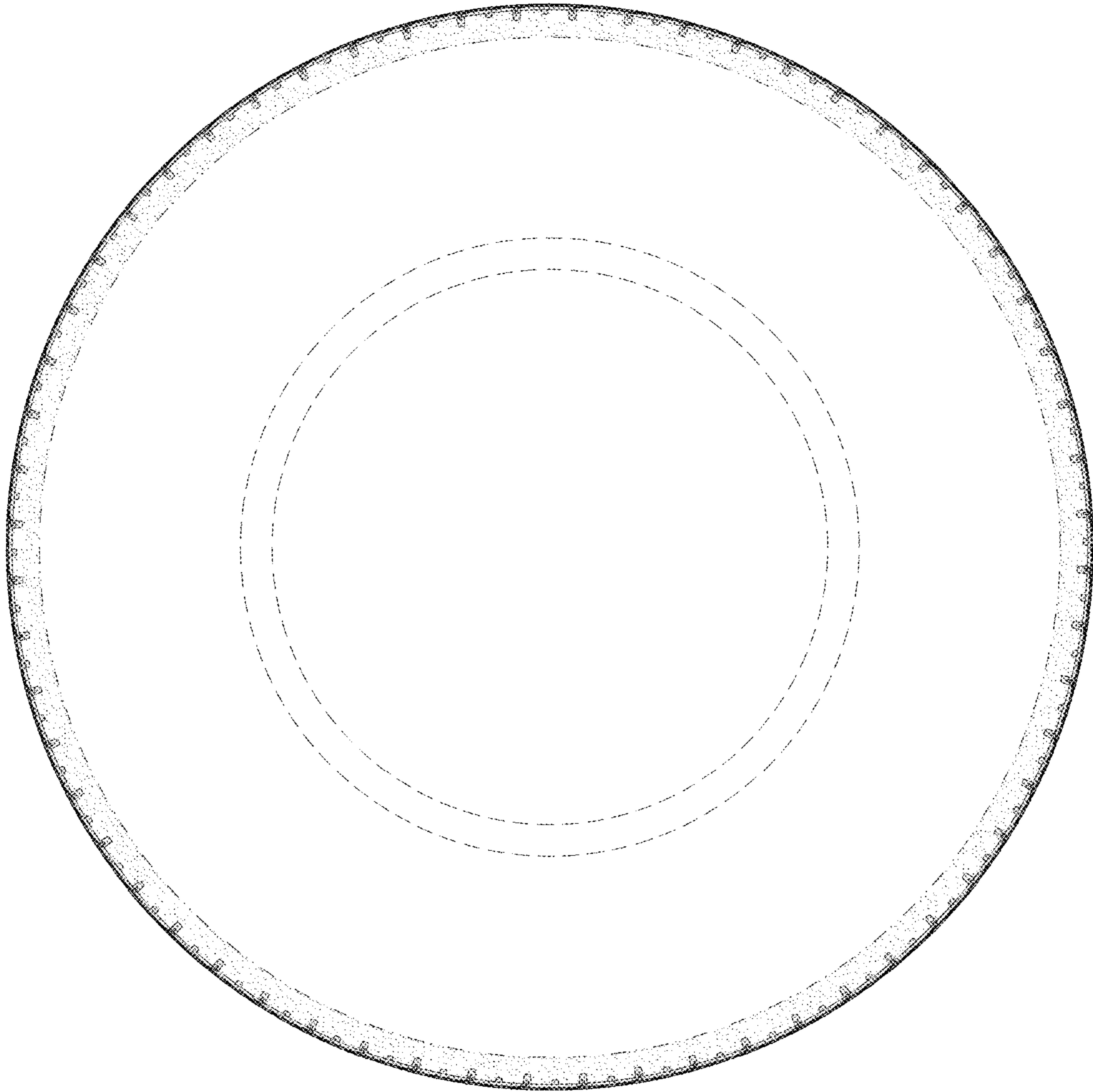
**FIG. 1**



**FIG. 2**



**FIG. 3**



**FIG. 4**

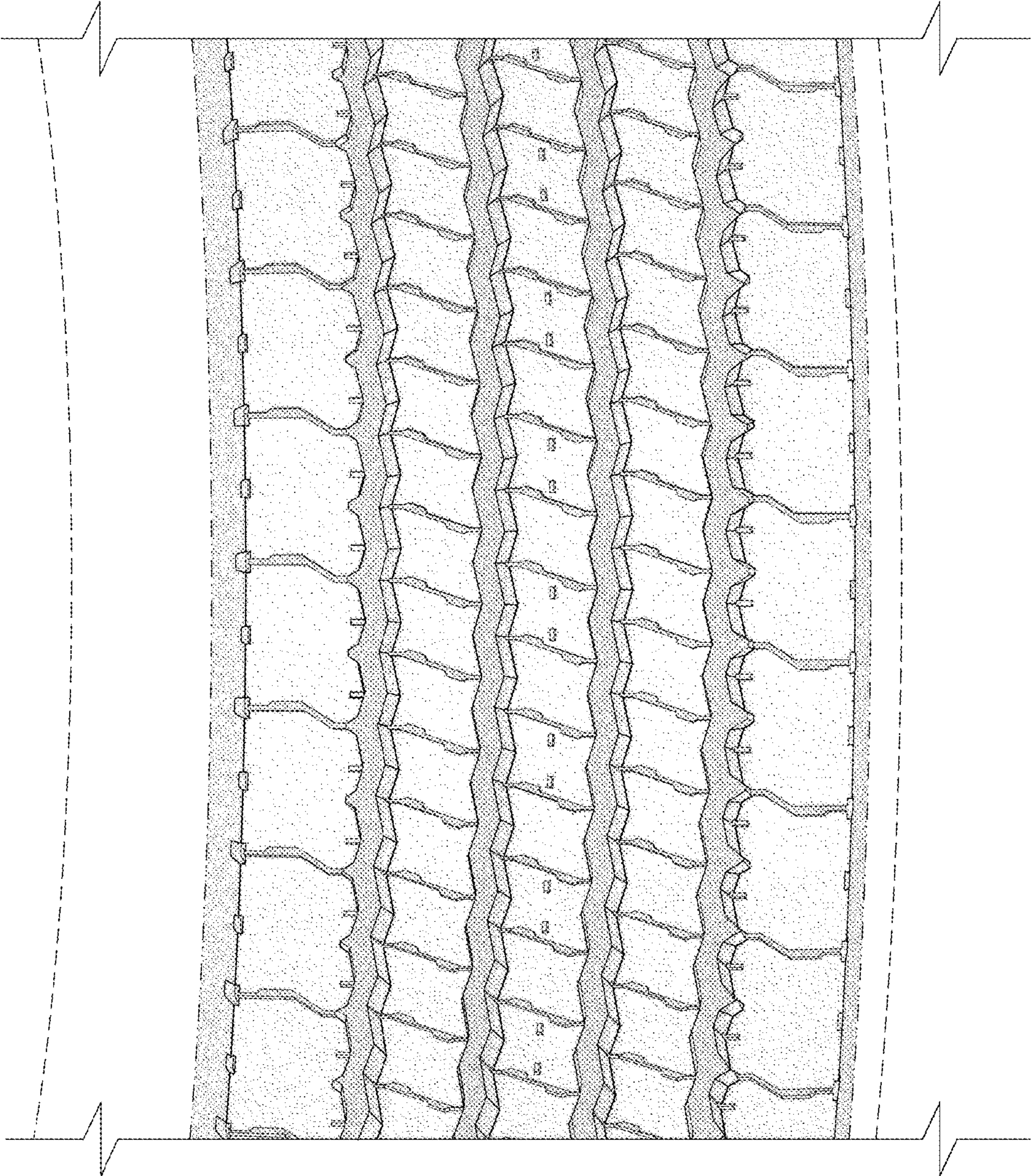


FIG. 5