



US00D785551S

(12) **United States Design Patent**
Farinelle et al.

(10) **Patent No.:** **US D785,551 S**

(45) **Date of Patent:** **** May 2, 2017**

- (54) **TIRE**
- (71) Applicant: **The Goodyear Tire & Rubber Company, Akron, OH (US)**
- (72) Inventors: **Corentin Eric Ghislain Farinelle, Breuvanne (BE); Jean-Julien Edouard Ghislain Krier, Bastogne (BE); Peter Johann Cornelius Maus, Bullingen (BE)**
- (73) Assignee: **The Goodyear Tire & Rubber Company, Akron, OH (US)**
- (**) Term: **15 Years**
- (21) Appl. No.: **29/539,462**
- (22) Filed: **Sep. 15, 2015**
- (51) **LOC (10) Cl.** **12-15**
- (52) **U.S. Cl.**
USPC **D12/588**
- (58) **Field of Classification Search**
USPC D12/559, 564, 585, 586, 588, 590, 591, D12/594, 595, 598, 600, 601, 602, 603
CPC .. B60C 11/03; B60C 11/0306; B60C 11/0388
See application file for complete search history.

- D472,204 S 3/2003 Kemp, Jr. D12/588
- D481,992 S 11/2003 Harden, Jr. et al. D12/595
- D554,053 S 10/2007 Feider et al. D12/588

(Continued)

Primary Examiner — Robert M Spear

(74) *Attorney, Agent, or Firm* — Robert N. Lipsik

(57) **CLAIM**

The ornamental design for a tire, as shown and described.

DESCRIPTION

FIG. 1 is a perspective view of a tire showing our design, it being understood that the pattern repeats uniformly throughout the circumference of the tread;

FIG. 2 is a front elevational view thereof;

FIG. 3 is a right side elevational view thereof; the opposite side elevational view being identical thereto;

FIG. 4 is an enlarged fragmentary front elevational view thereof;

FIG. 5 is a perspective view of a second embodiment of a tire showing our new design, it being understood that the pattern repeats uniformly throughout the circumference of the tread and that the opposite side view is identical thereto; and,

FIG. 6 is a front elevational view of a second embodiment, it being understood that an enlarged fragmentary view thereof would be substantially identical to that shown in FIG. 4, with the exception of the inclusion of the sidewall in solid lines.

In the drawings, the broken lines showing of the sidewall, inner bead and the peripheral boundary between the tire tread and the sidewall in FIGS. 1 through 4 depict environmental subject matter and form no part of the claimed design.

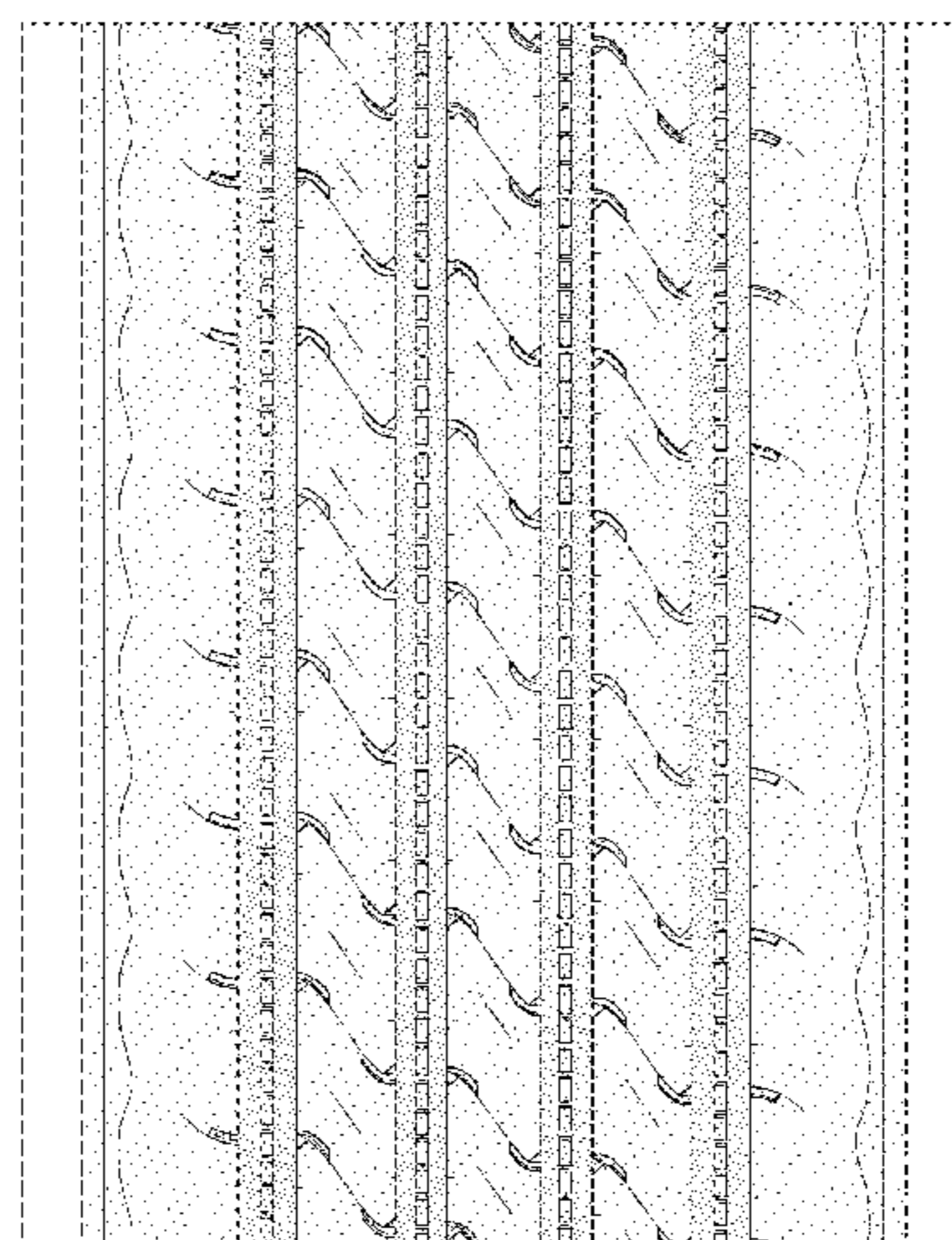
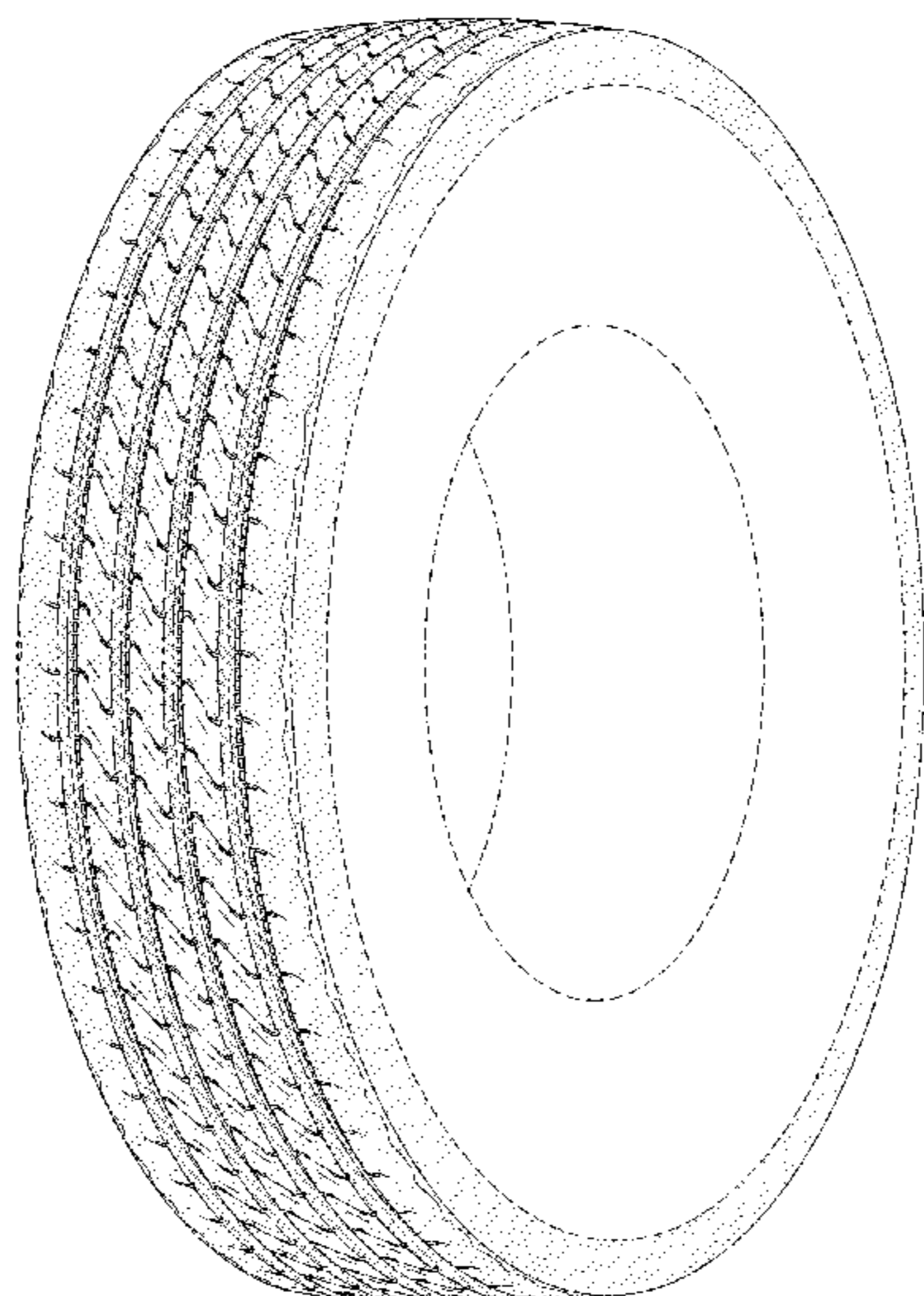
The dark stippled surface shading represents the recessed portion of the tread grooves having a depth as best shown in FIG. 2.

1 Claim, 6 Drawing Sheets

(56) **References Cited**

U.S. PATENT DOCUMENTS

- D370,439 S 6/1996 Feider et al. D12/141
- D383,713 S 9/1997 Grosskopf D12/146
- D384,313 S 9/1997 Harden, Jr. D12/147
- D385,235 S 10/1997 Young D12/141
- D388,030 S 12/1997 Schuster D12/142
- D390,510 S 2/1998 Stone et al. D12/143
- D402,943 S 12/1998 Albert et al. D12/147
- D414,446 S 9/1999 Kemp, Jr. D12/141
- D414,725 S 10/1999 Kemp, Jr. D12/143
- D451,438 S 12/2001 Galante et al. D12/146
- D451,860 S 12/2001 Schuster et al. D12/147
- D464,025 S 10/2002 Okano D12/588



(56)

References Cited

U.S. PATENT DOCUMENTS

D555,081 S	11/2007	Feider et al.	D12/588
D592,589 S	5/2009	Dixon et al.	D12/600
D598,370 S	8/2009	Beha	D12/602
D604,226 S	11/2009	Scheuren	D12/553
D604,230 S	11/2009	Brown et al.	D12/588
D605,107 S	12/2009	Ludwig et al.	D12/588
D605,108 S	12/2009	Brown et al.	D12/588
D609,169 S	2/2010	Feider	D12/588
D609,170 S	2/2010	Feider et al.	D12/588
D609,175 S	2/2010	Feider et al.	D12/600
D613,680 S	4/2010	Dixon et al.	D12/588
D635,915 S	4/2011	Hamada	D12/588
D642,511 S	8/2011	Strader et al.	D12/587
D674,740 S	1/2013	Mathonet et al.	D12/588
D674,741 S	1/2013	Mathonet et al.	D12/588
D713,782 S	9/2014	Krier et al.	D12/583
D730,273 S	5/2015	Schimmoeller	D12/601
D732,465 S	6/2015	Yamada	D12/588
D740,745 S *	10/2015	Tian	D12/586

* cited by examiner

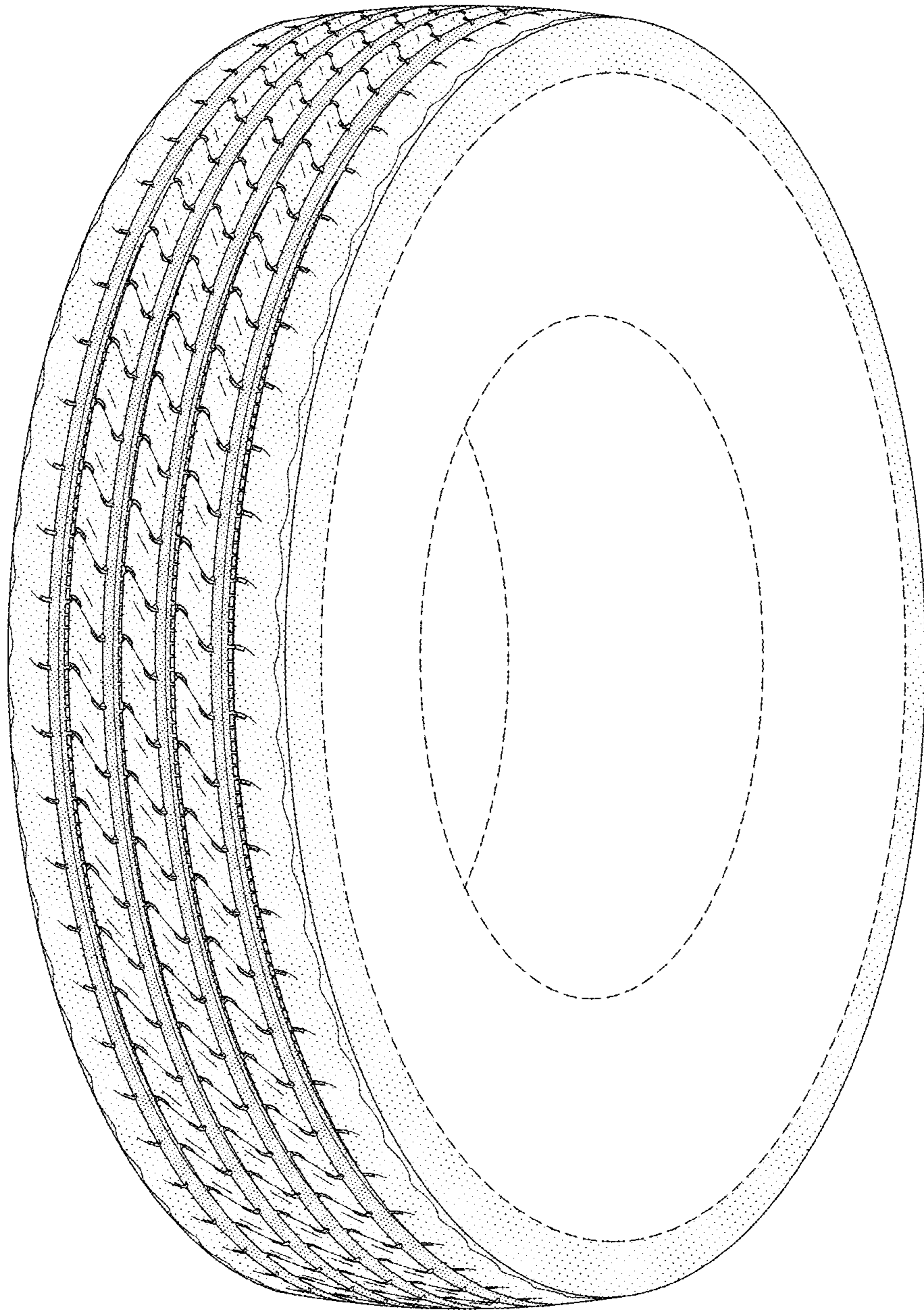


FIG-1

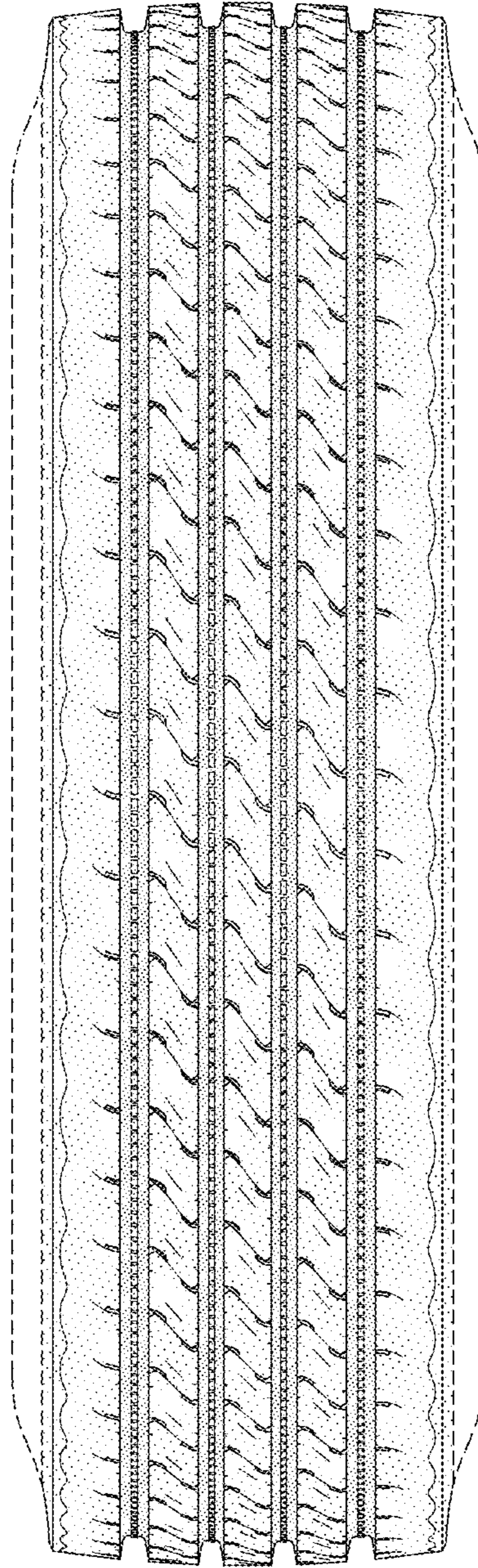


FIG-2

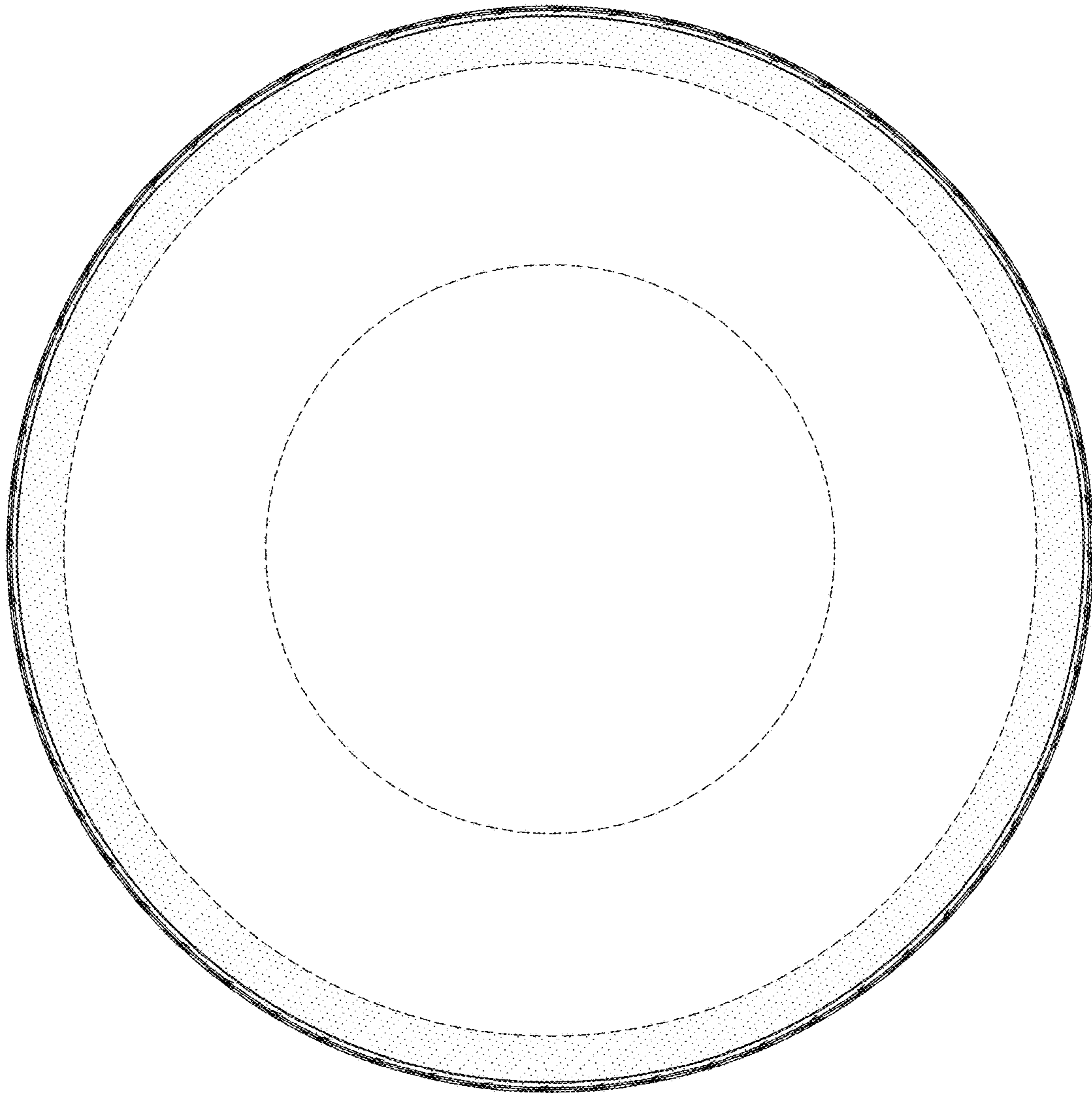


FIG-3

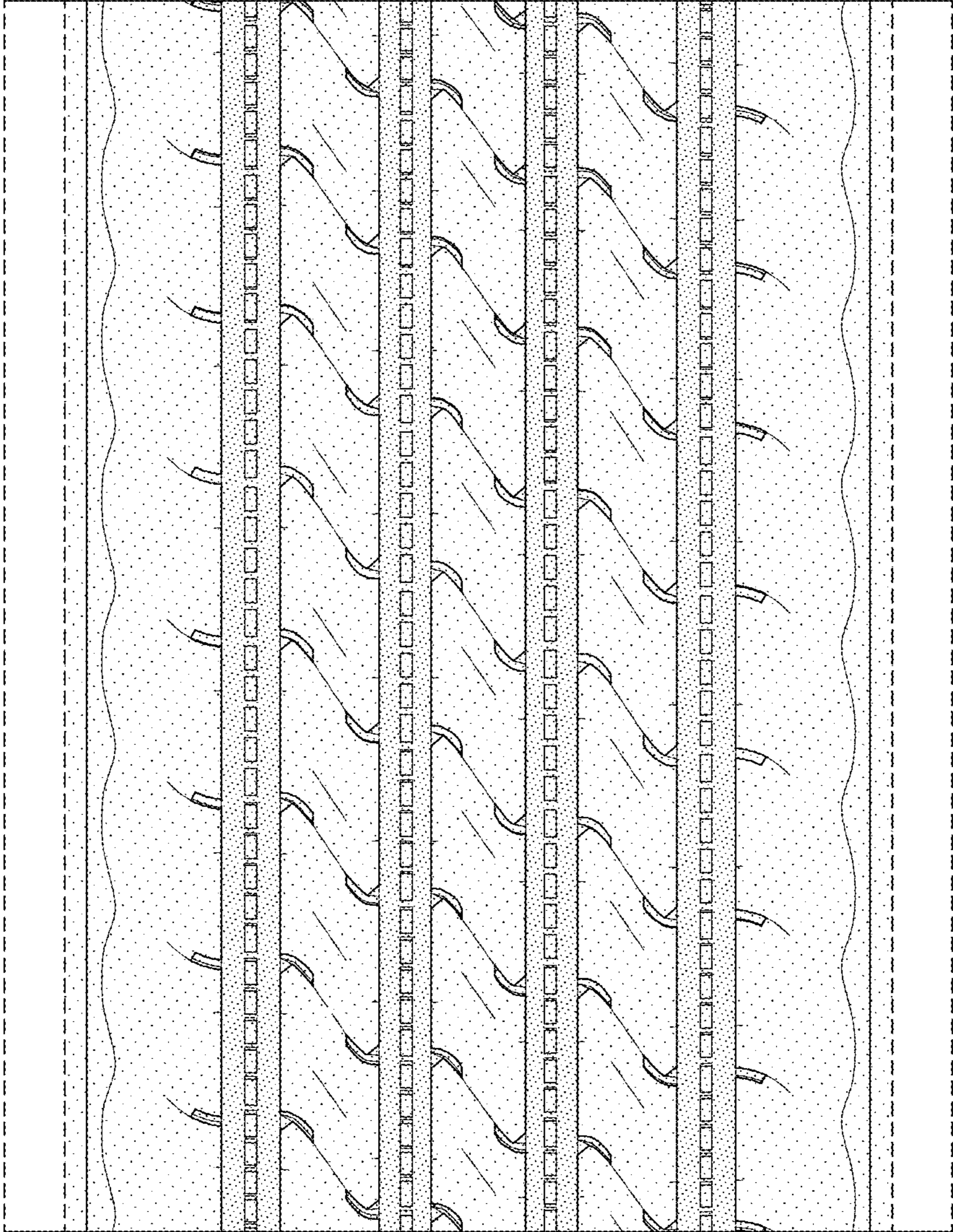


FIG-4

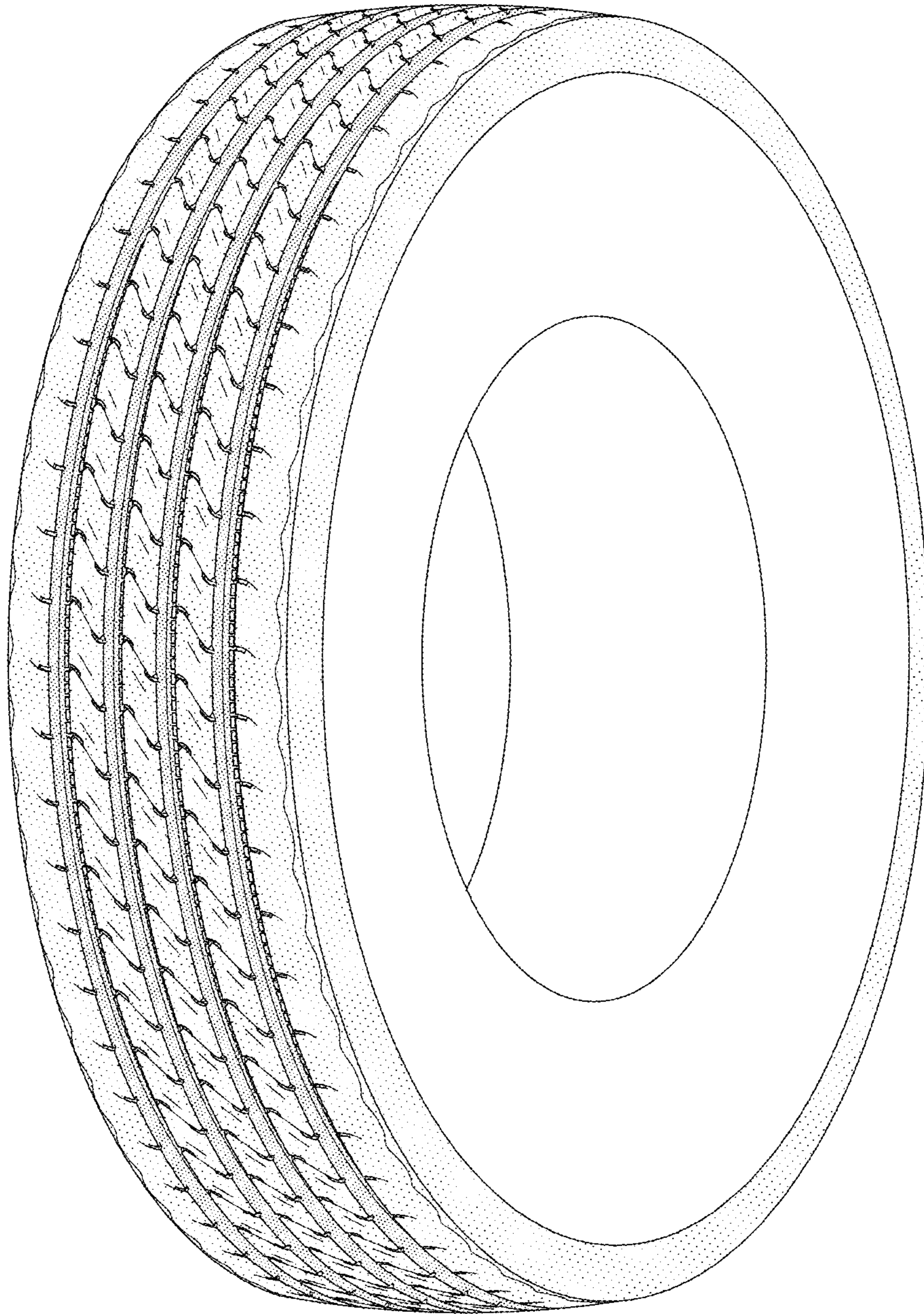


FIG-5

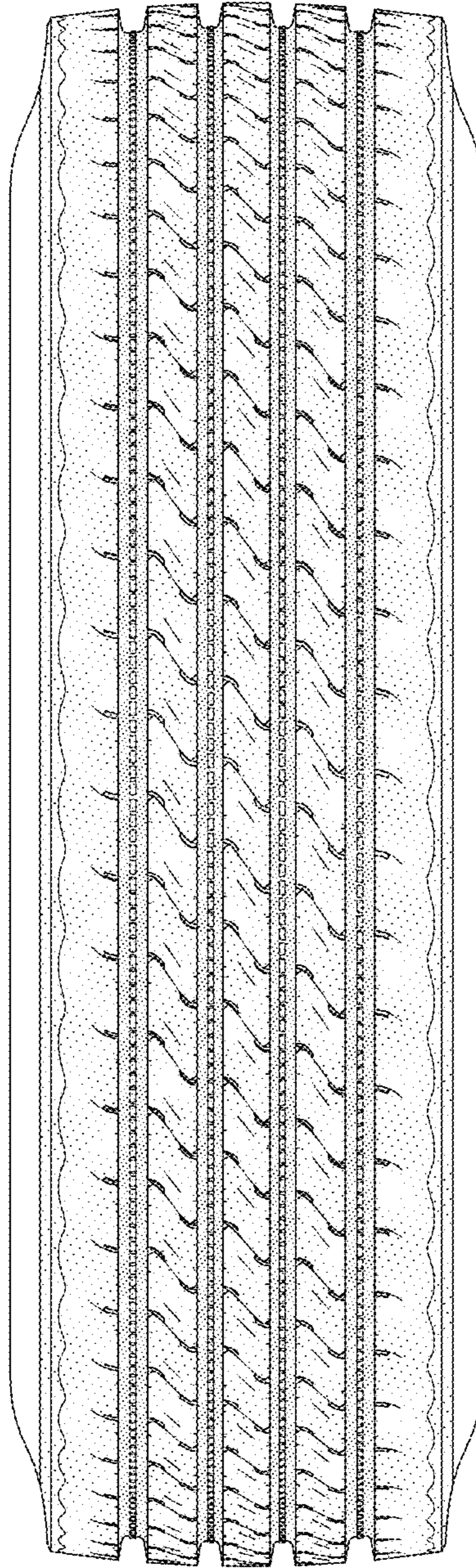


FIG-6