



US00D785550S

(12) **United States Design Patent**
Yoshihara

(10) **Patent No.:** **US D785,550 S**

(45) **Date of Patent:** **** May 2, 2017**

(54) **TREAD OF AN AUTOMOBILE TIRE**

(71) Applicant: **BRIDGESTONE CORPORATION,**
Tokyo (JP)

(72) Inventor: **Sachie Yoshihara,** Tokyo (JP)

(73) Assignee: **BRIDGESTONE CORPORATION,**
Tokyo (JP)

(**) Term: **15 Years**

(21) Appl. No.: **29/549,389**

(22) Filed: **Dec. 22, 2015**

(30) **Foreign Application Priority Data**

Jun. 24, 2015 (JP) 2015-013929
Nov. 13, 2015 (JP) 2015-025431

(51) **LOC (10) Cl.** **12-15**

(52) **U.S. Cl.**
USPC **D12/586; D12/591**

(58) **Field of Classification Search**
USPC D12/568-604, 900
CPC B60C 1/0016; B60C 11/0306; B60C
11/0302; B60C 3/06; B60C 9/17
See application file for complete search history.

(56) **References Cited**

U.S. PATENT DOCUMENTS

D240,723 S * 7/1976 Lejeune D12/602
D272,526 S * 2/1984 Manestar D12/587
D308,502 S * 6/1990 Loeffler D12/587
D313,384 S * 1/1991 Tsuda D12/583

D402,237 S * 12/1998 Harris D12/587
D500,010 S * 12/2004 Maziarka D12/590
D619,084 S * 7/2010 Mathonet D12/590
D619,529 S * 7/2010 Georges D12/590
D622,658 S * 8/2010 Matsuzawa D12/587
D690,258 S * 9/2013 Oraison D12/583
D726,643 S * 4/2015 Sato D12/583
D763,181 S * 8/2016 Kojima D12/583

* cited by examiner

Primary Examiner — Robert M Spear

Assistant Examiner — John Voytek

(74) *Attorney, Agent, or Firm* — Sughrue Mion, PLLC

(57) **CLAIM**

The ornamental design for a tread of an automobile tire, as shown and described.

DESCRIPTION

FIG. 1 is a perspective view of a tread of an automobile tire showing my new design;
FIG. 2 is a front view thereof;
FIG. 3 is a right side view thereof;
FIG. 4 is a left side view thereof;
FIG. 5 is a rear view thereof;
FIG. 6 is a fragmentary enlarged front view showing the details of the tread portion surrounded by line A-A and B-B in FIG. 2; and,
FIG. 7 is a section view taken along line 7-7 in FIG. 6.
Broken lines in the drawing figures are intended to show portions of the tire that are not being claimed, and thus form no part of the claimed invention.

1 Claim, 7 Drawing Sheets

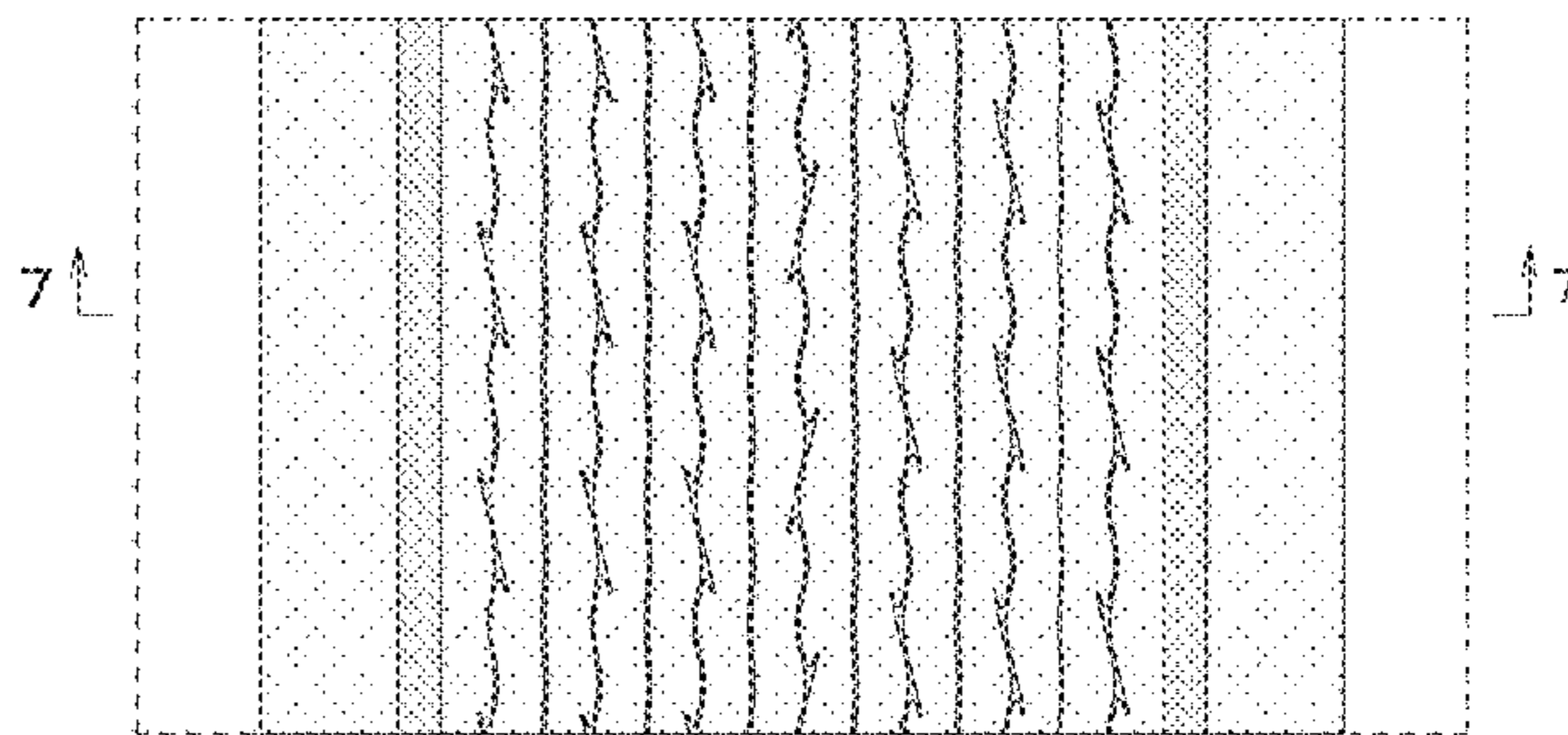
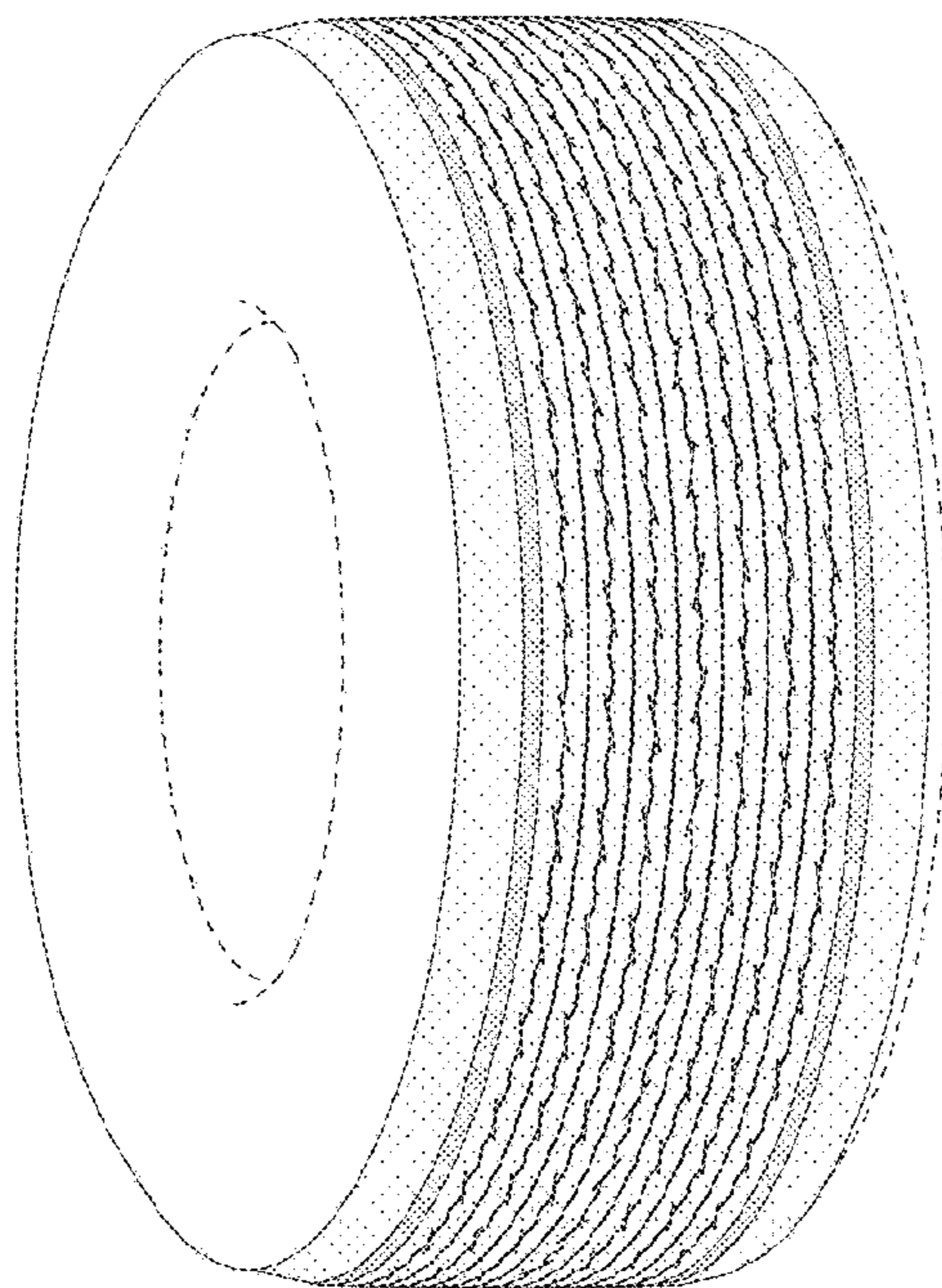


FIG. 1

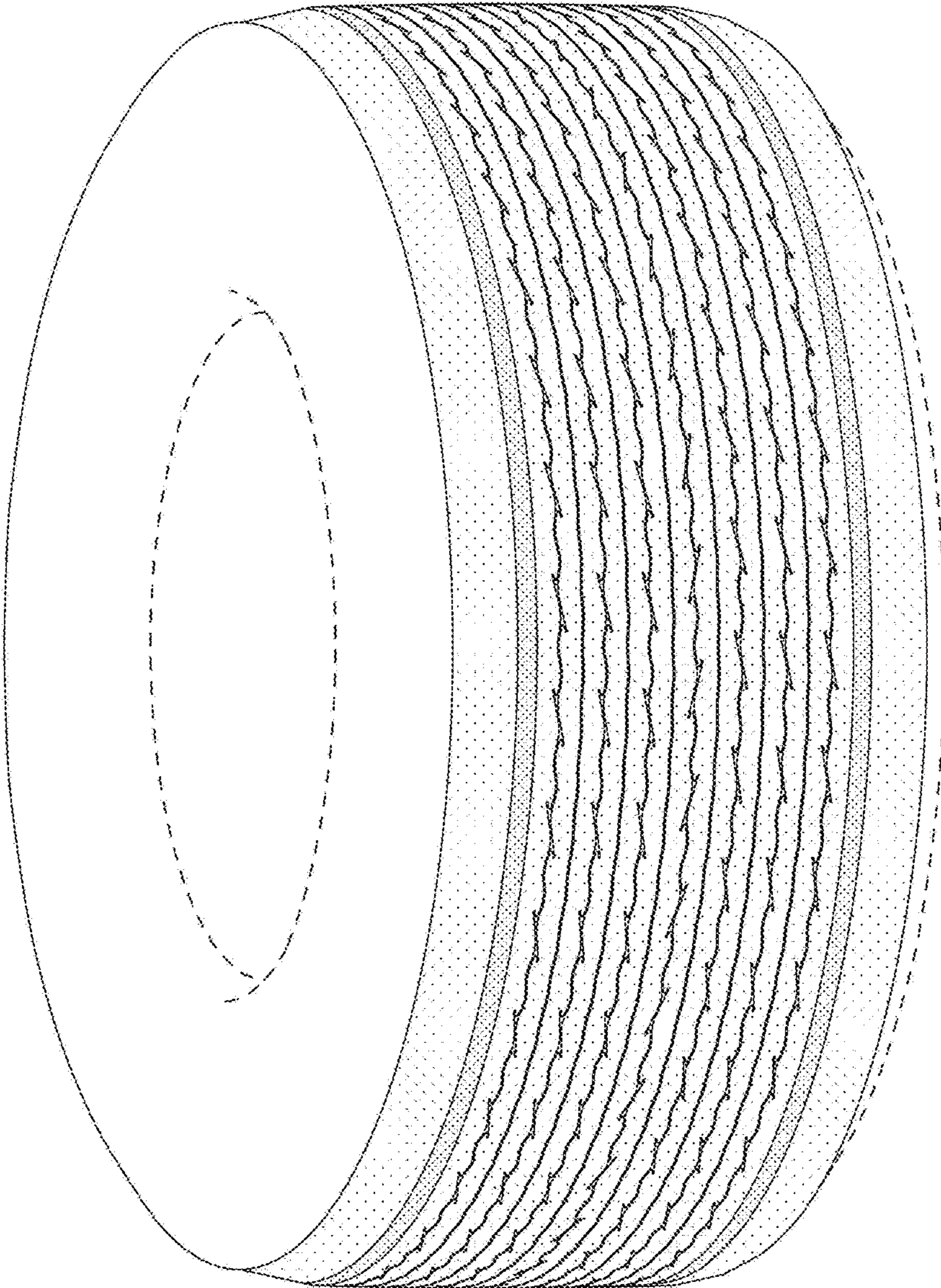


FIG. 2

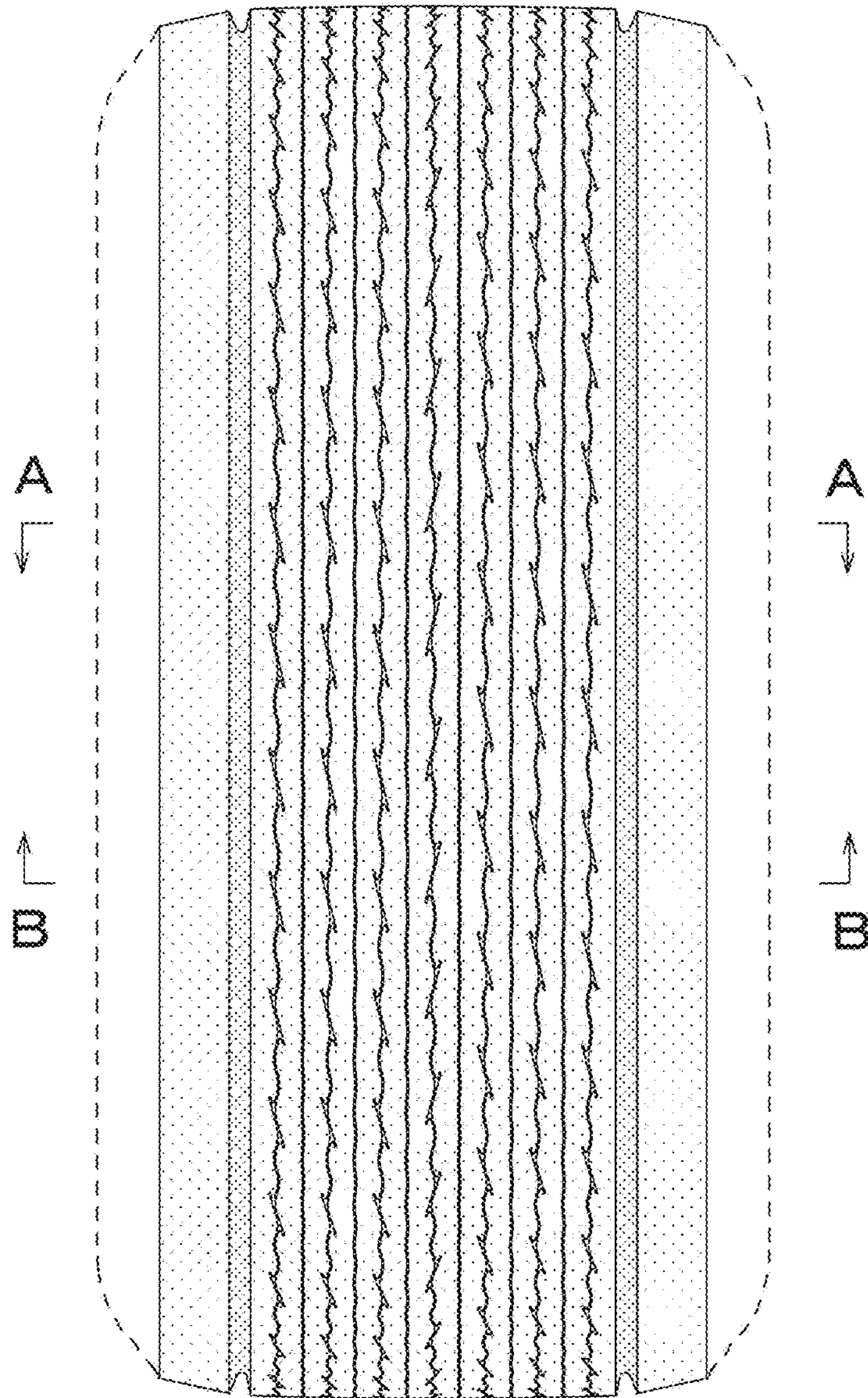


FIG. 3

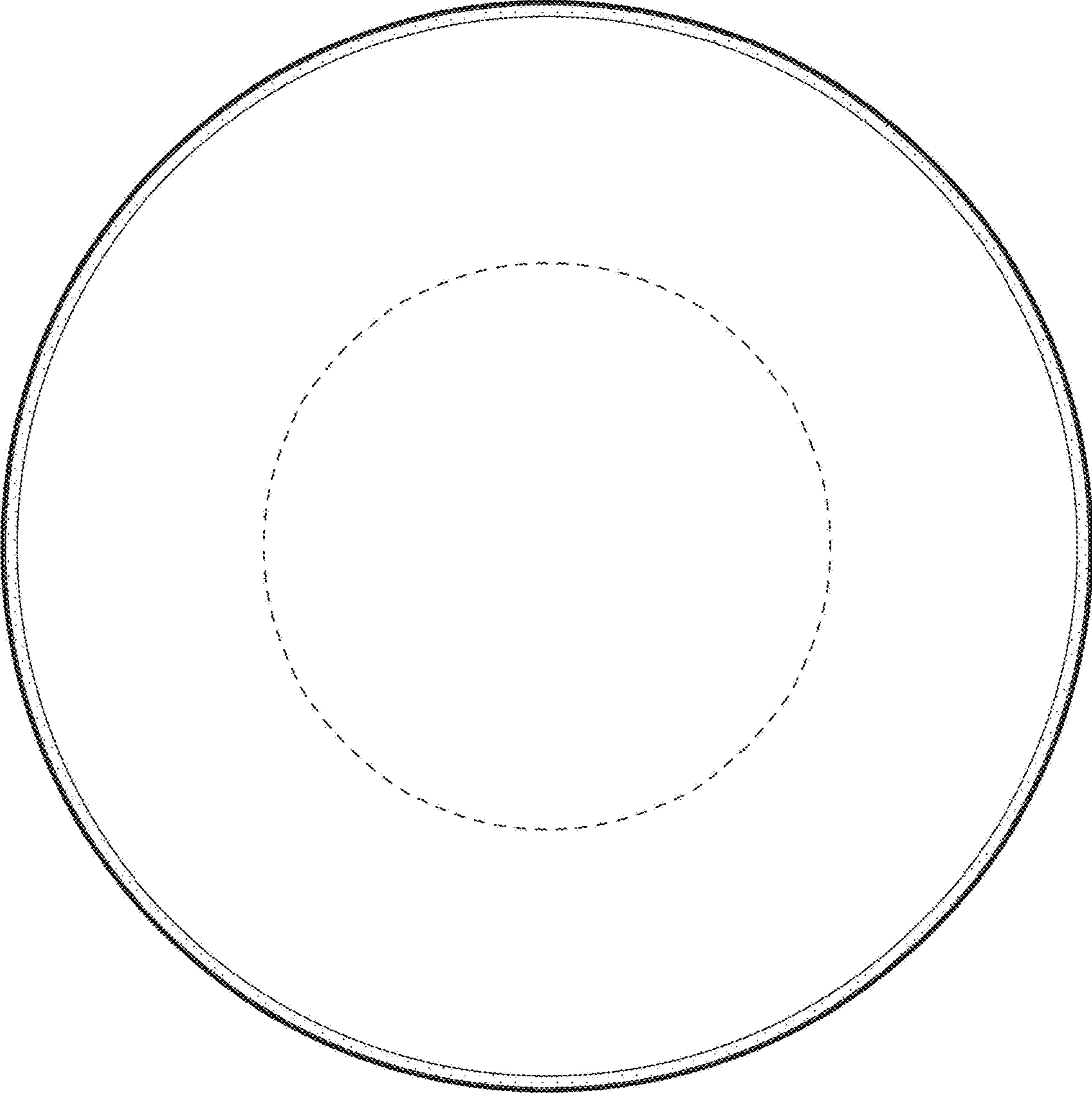


FIG. 4

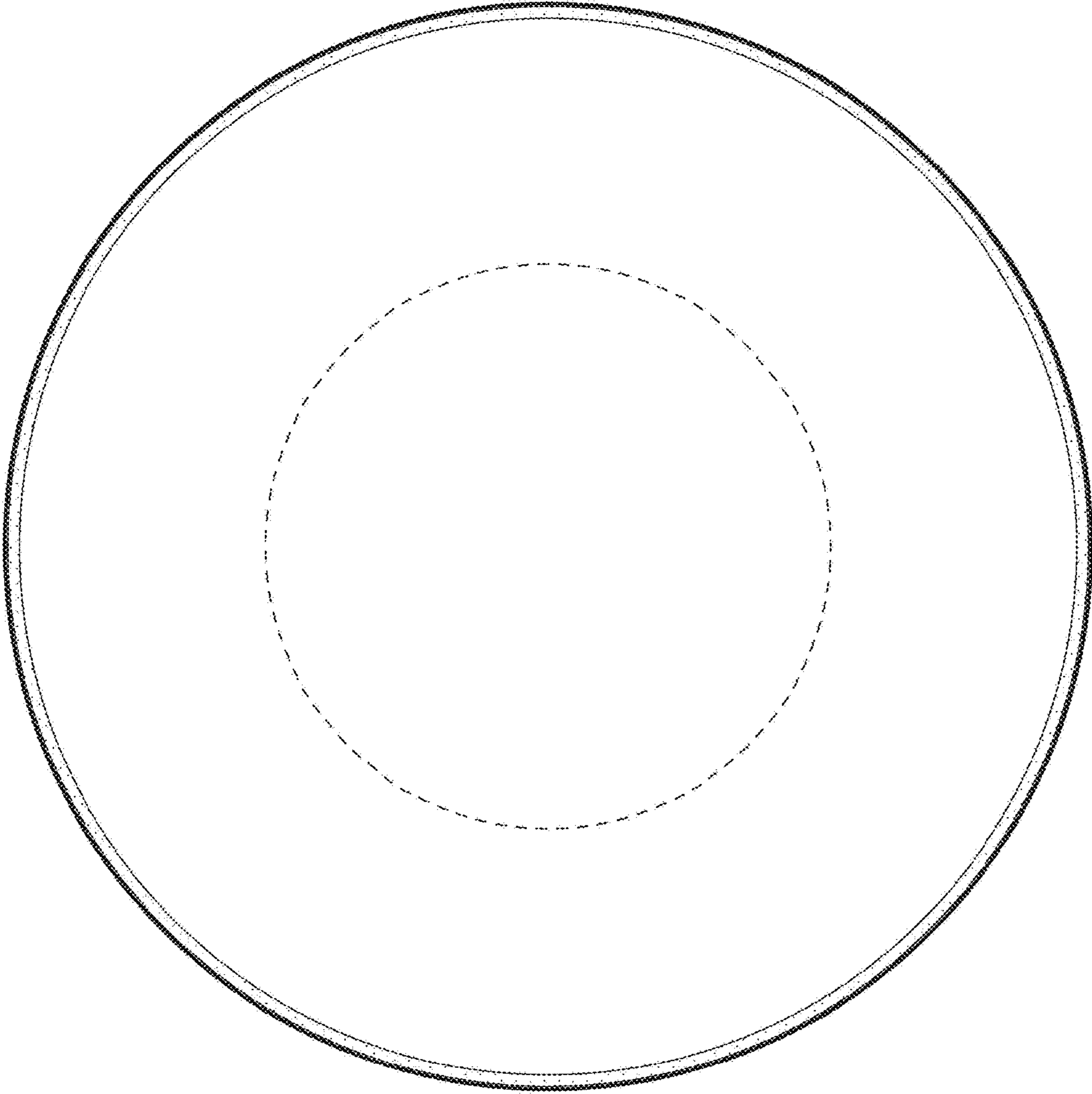


FIG. 5

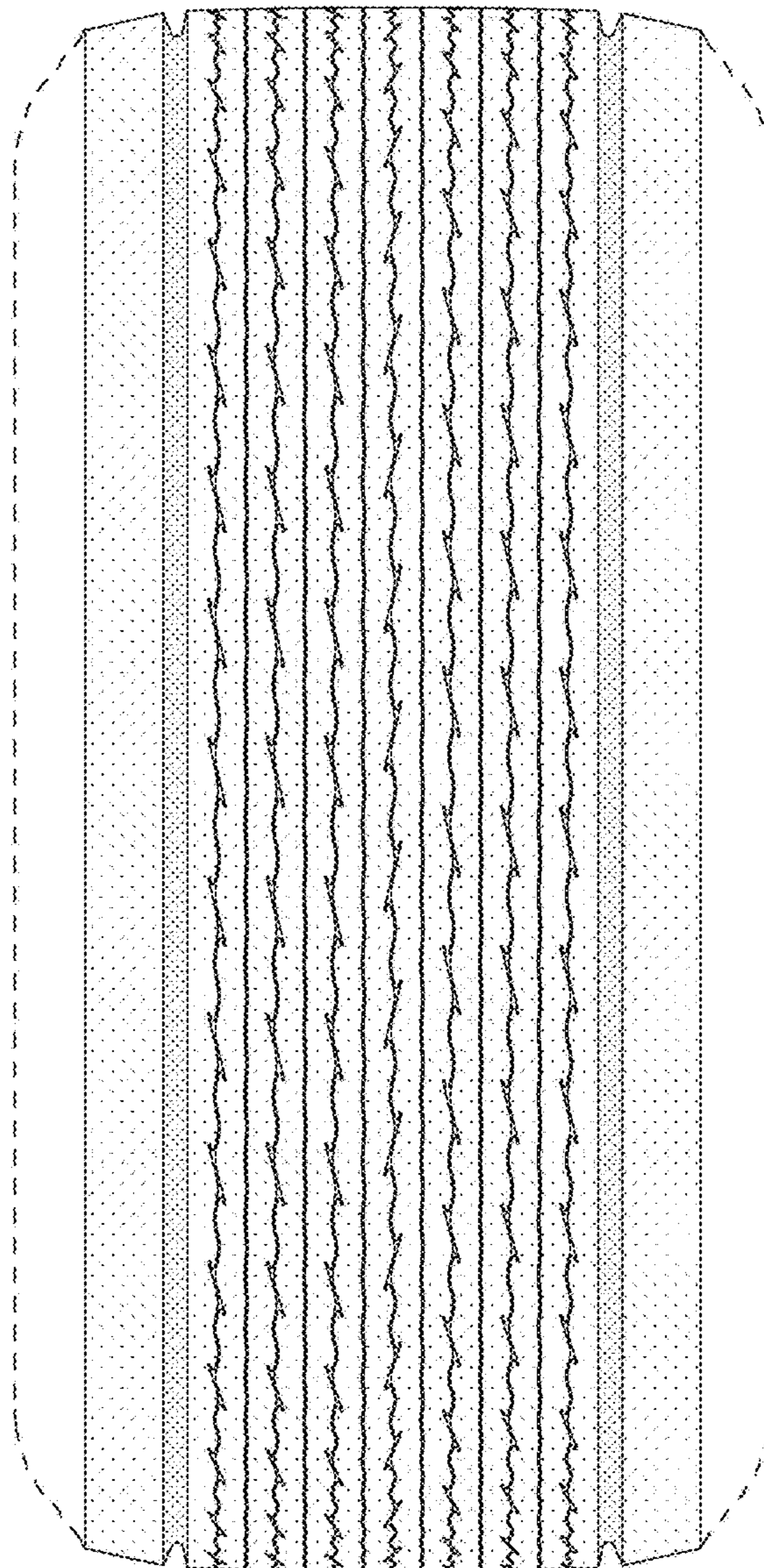


FIG. 6

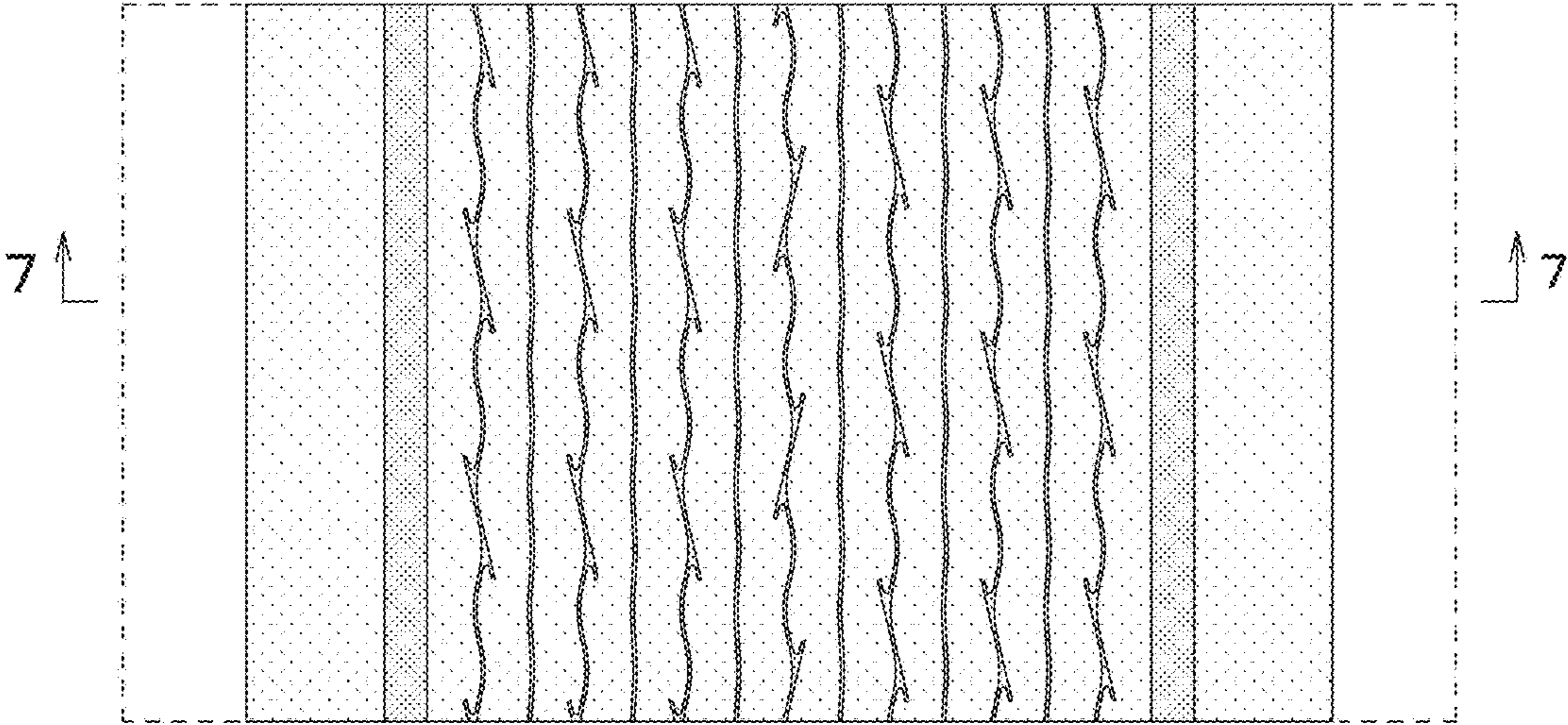


FIG. 7

