



US00D785549S

(12) **United States Design Patent**  
**Hamanaka**

(10) **Patent No.:** **US D785,549 S**

(45) **Date of Patent:** **\*\* May 2, 2017**

(54) **AUTOMOBILE TIRE**

OTHER PUBLICATIONS

(71) Applicant: **THE YOKOHAMA RUBBER CO., LTD.**, Minato-ku, Tokyo (JP)

Aug. 26, 201—(JP) Office Action—App 2014-007043—Partial Eng Tran.

(72) Inventor: **Hideki Hamanaka**, Hiratsuka (JP)

\* cited by examiner

(73) Assignee: **THE YOKOHAMA RUBBER CO., LTD.**, Minato-ku, Tokyo (JP)

*Primary Examiner* — George D Kirschbaum  
(74) *Attorney, Agent, or Firm* — Banner & Witcoff, Ltd.

(\*\*) Term: **14 Years**

(57) **CLAIM**

(21) Appl. No.: **29/503,917**

The ornamental design for an automobile tire, as shown and described.

(22) Filed: **Sep. 30, 2014**

**DESCRIPTION**

(30) **Foreign Application Priority Data**

Mar. 31, 2014 (JP) ..... 2014-007043

(51) **LOC (10) Cl.** ..... **12-15**

(52) **U.S. Cl.**  
USPC ..... **D12/584**

(58) **Field of Classification Search**  
USPC ..... D12/582, 584–585  
CPC ..... B60C 5/00; B60C 7/00  
See application file for complete search history.

(56) **References Cited**

**U.S. PATENT DOCUMENTS**

D585,821 S \* 2/2009 Campana ..... D12/584  
D606,485 S \* 12/2009 Williamson ..... D12/588  
7,836,926 B2 \* 11/2010 Suzuki ..... B60C 11/0306  
152/209.18  
D646,624 S \* 10/2011 Yamaguchi ..... D12/584  
D757,639 S \* 5/2016 Hamanaka ..... D12/584

**FOREIGN PATENT DOCUMENTS**

JP 2001-301425 A 10/2001  
JP D1299690 5/2007

FIG. 1 is a perspective view of an automobile tire showing my new design;

FIG. 2 is a front view thereof;

FIG. 3 is a rear view thereof;

FIG. 4 is a left side view thereof;

FIG. 5 is a right side view thereof;

FIG. 6 is a top plan view thereof;

FIG. 7 is a bottom view thereof;

FIG. 8 is an enlarged perspective view of a portion defined by lines 8-8 shown in FIG. 1;

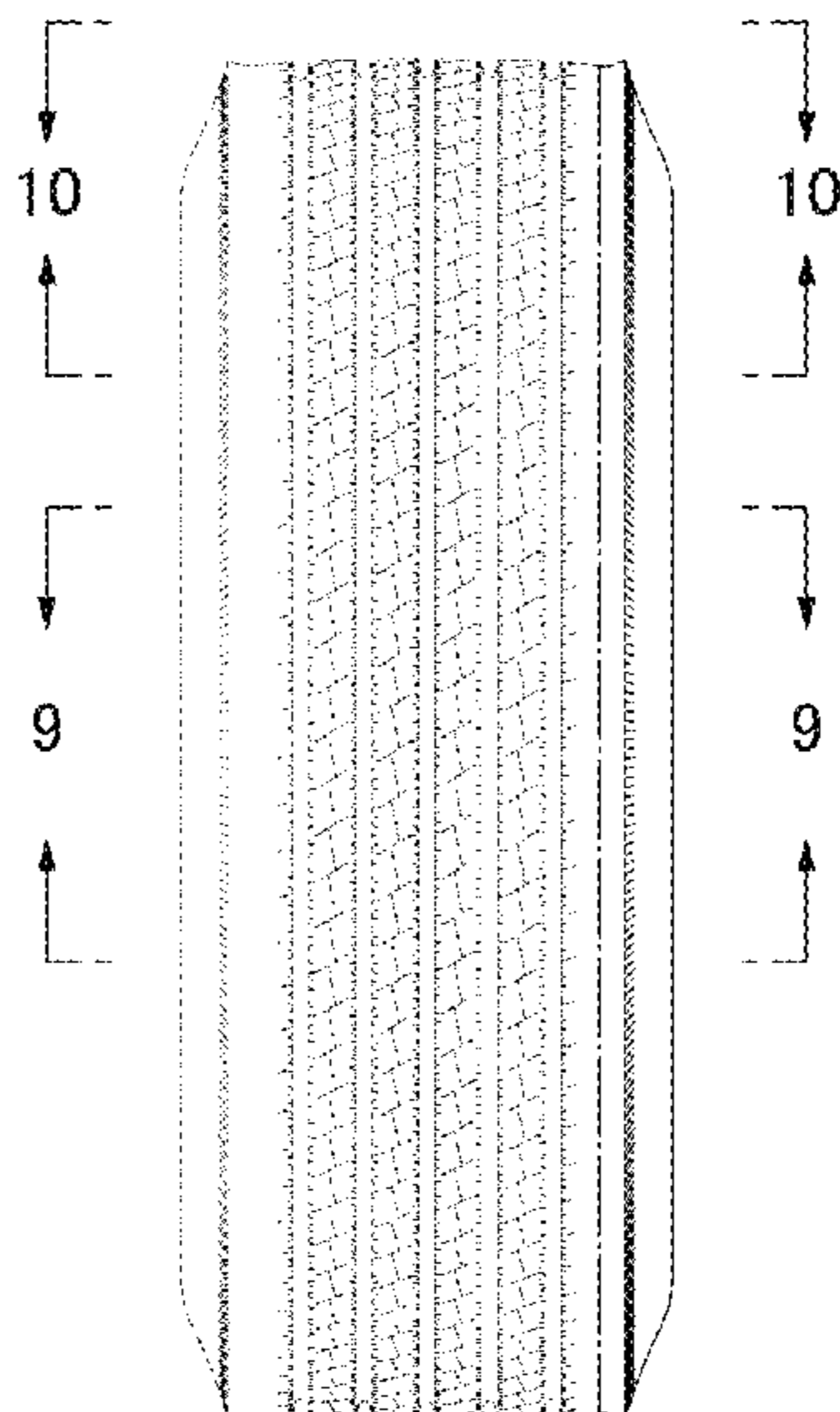
FIG. 9 is an enlarged front view of a portion defined by lines 9-9 shown in FIG. 2;

FIG. 10 is an enlarged front view of a portion defined by lines 10-10 shown in FIG. 2; and,

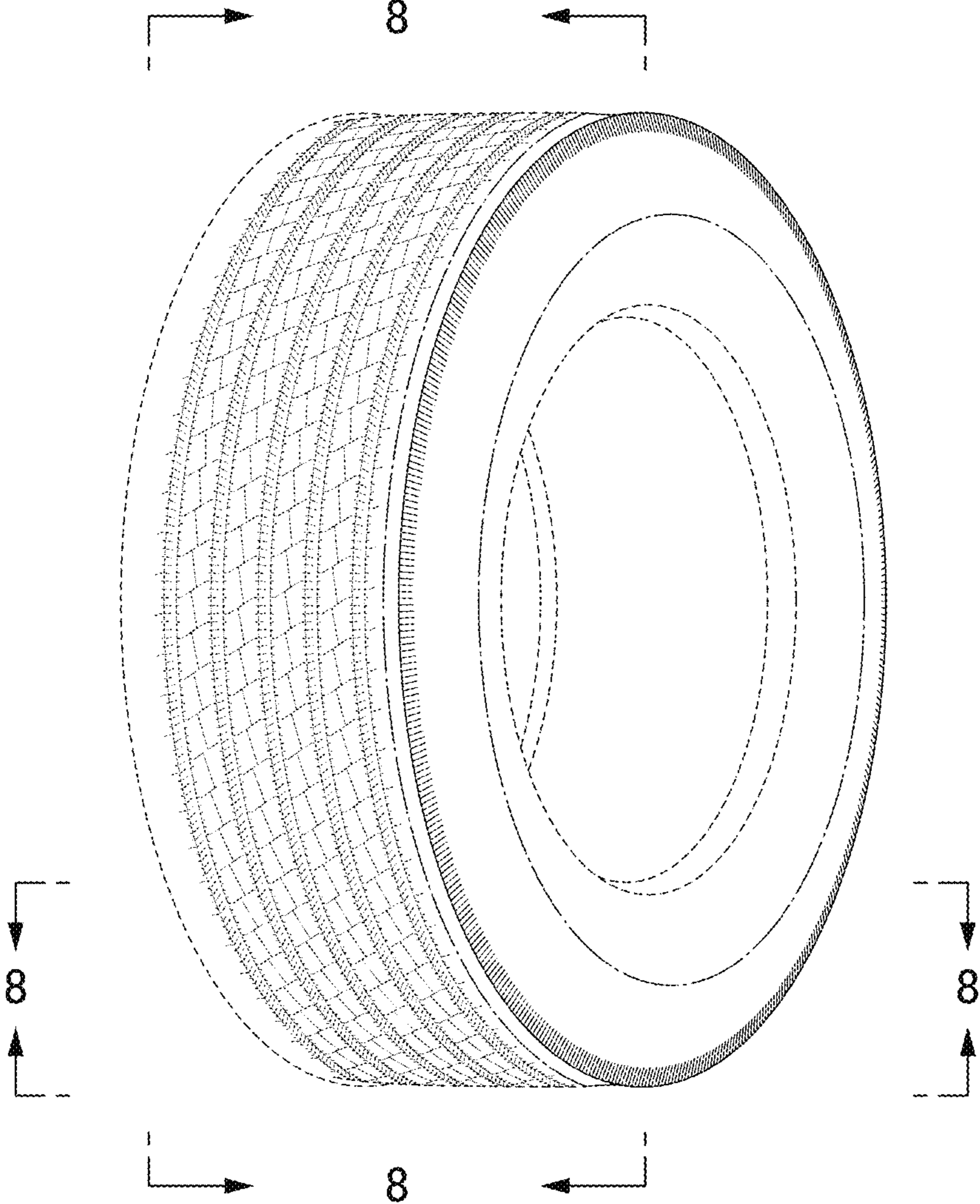
FIG. 11 is a sectional view taken along lines 11-11 shown in FIG. 9.

The broken lines shown are included for the purpose of illustrating the unclaimed portions of the automobile tire and form no part of the claimed design. The dot-dashed lines which define the bounds of the claimed design form no part thereof.

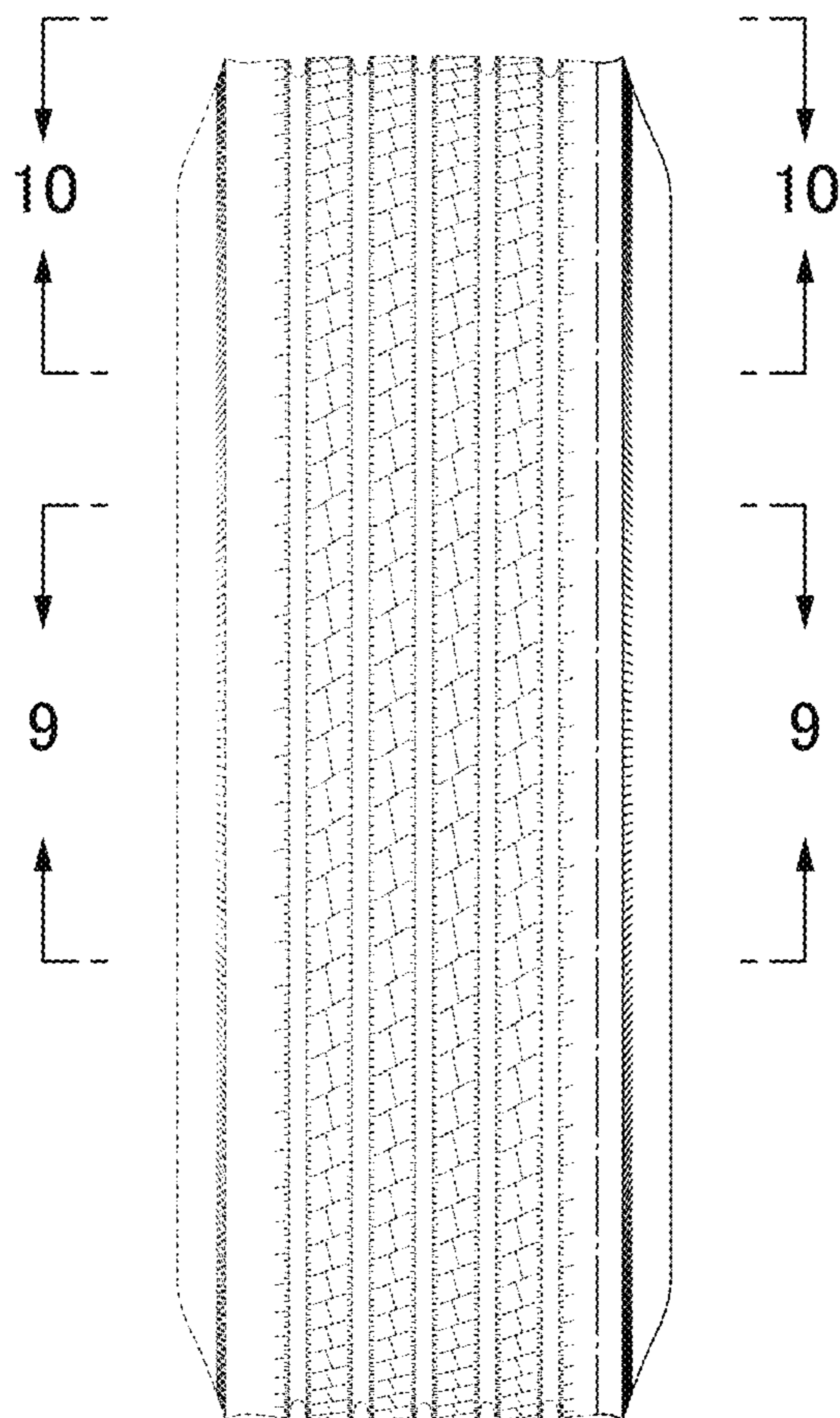
**1 Claim, 11 Drawing Sheets**



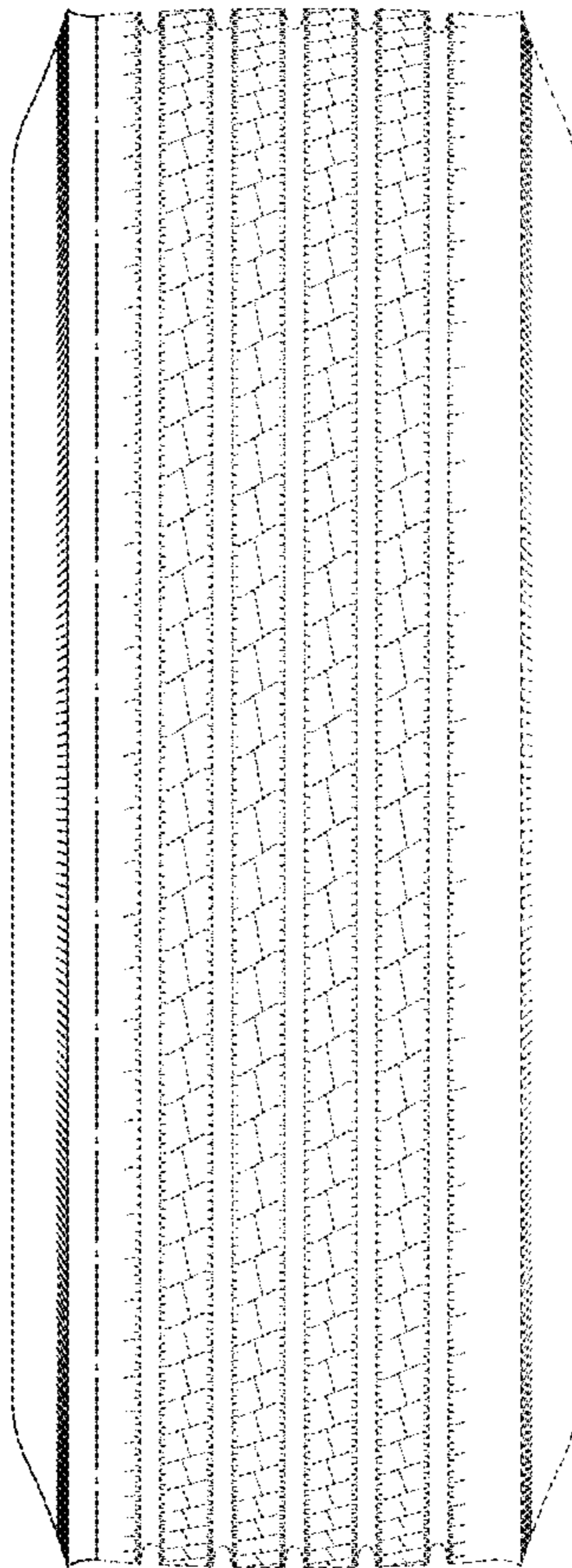
**FIG. 1**



**FIG. 2**

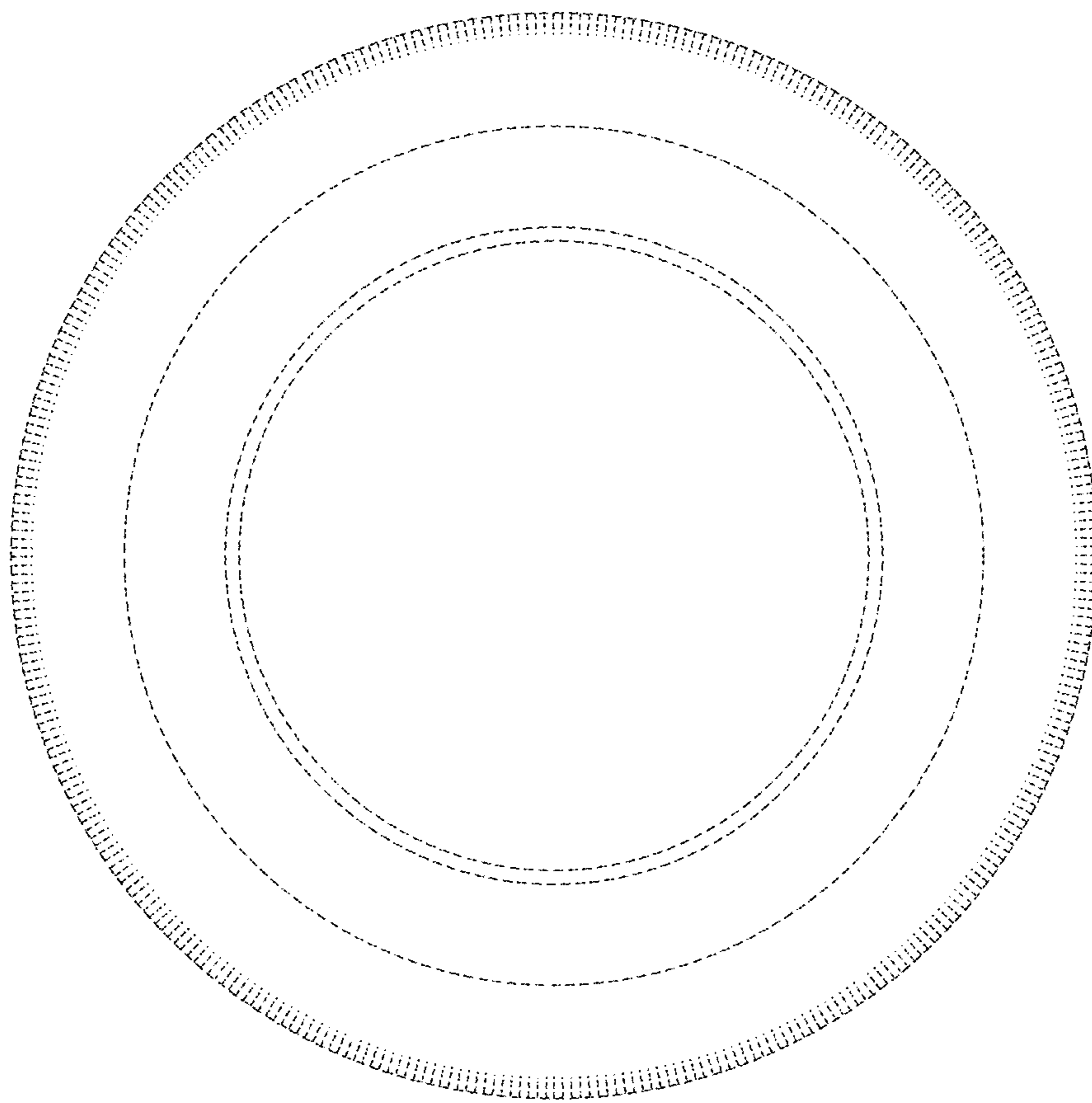


**FIG. 3**

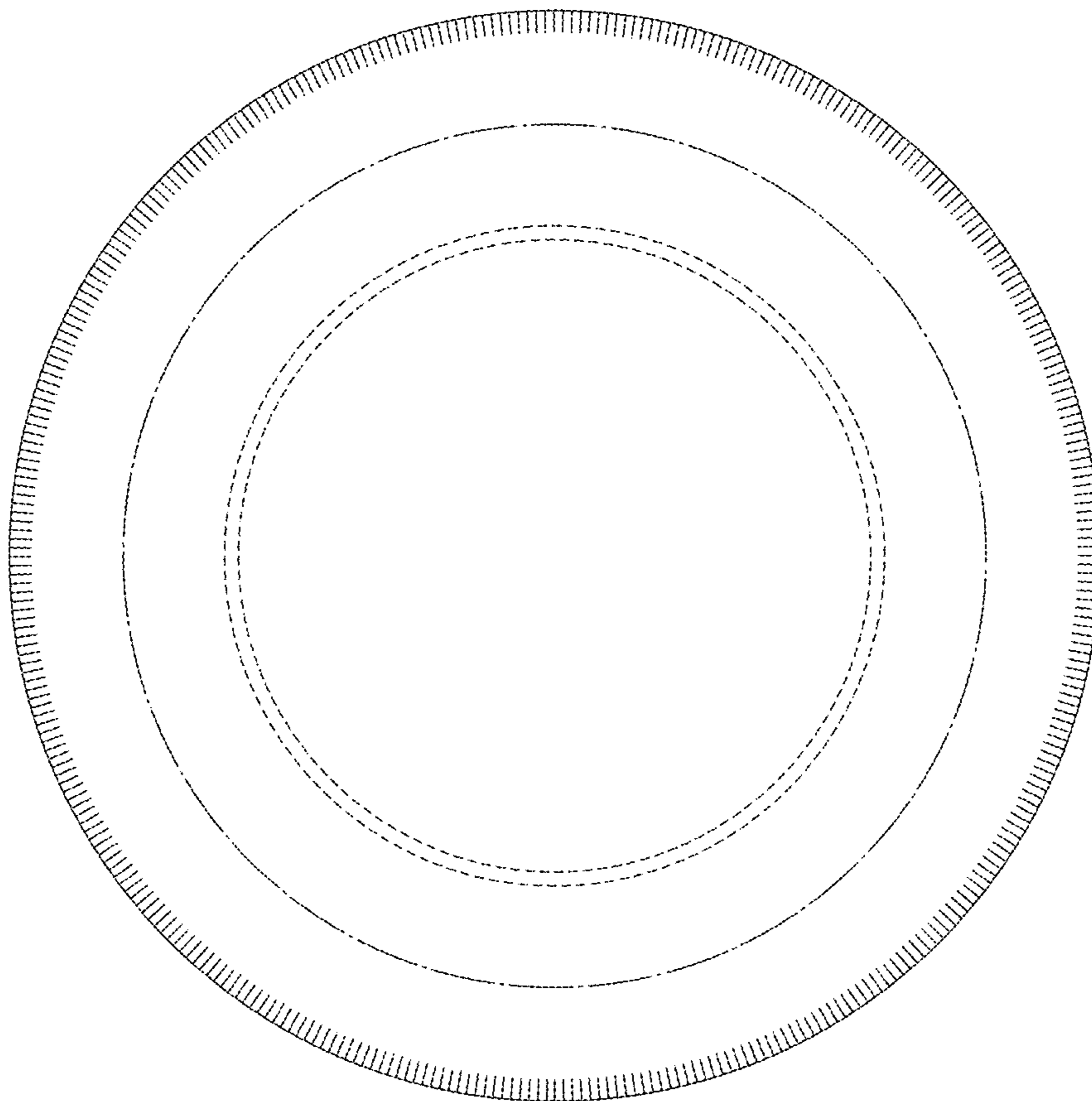




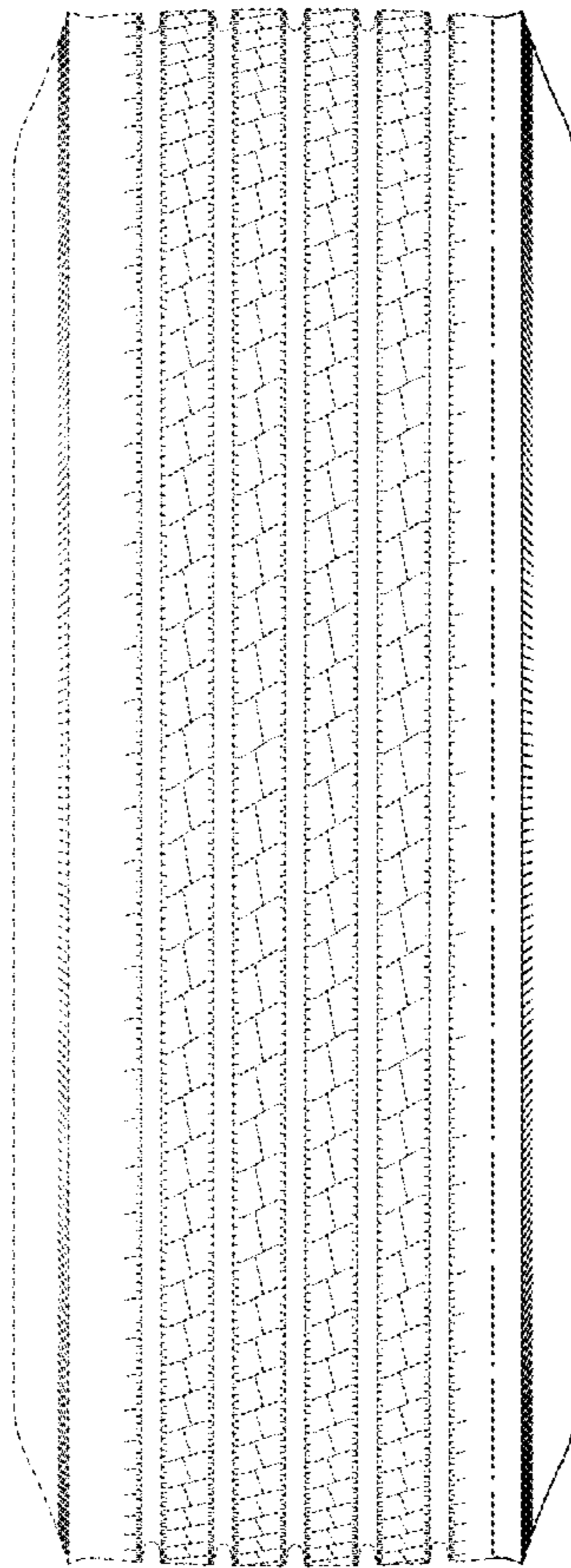
**FIG. 4**



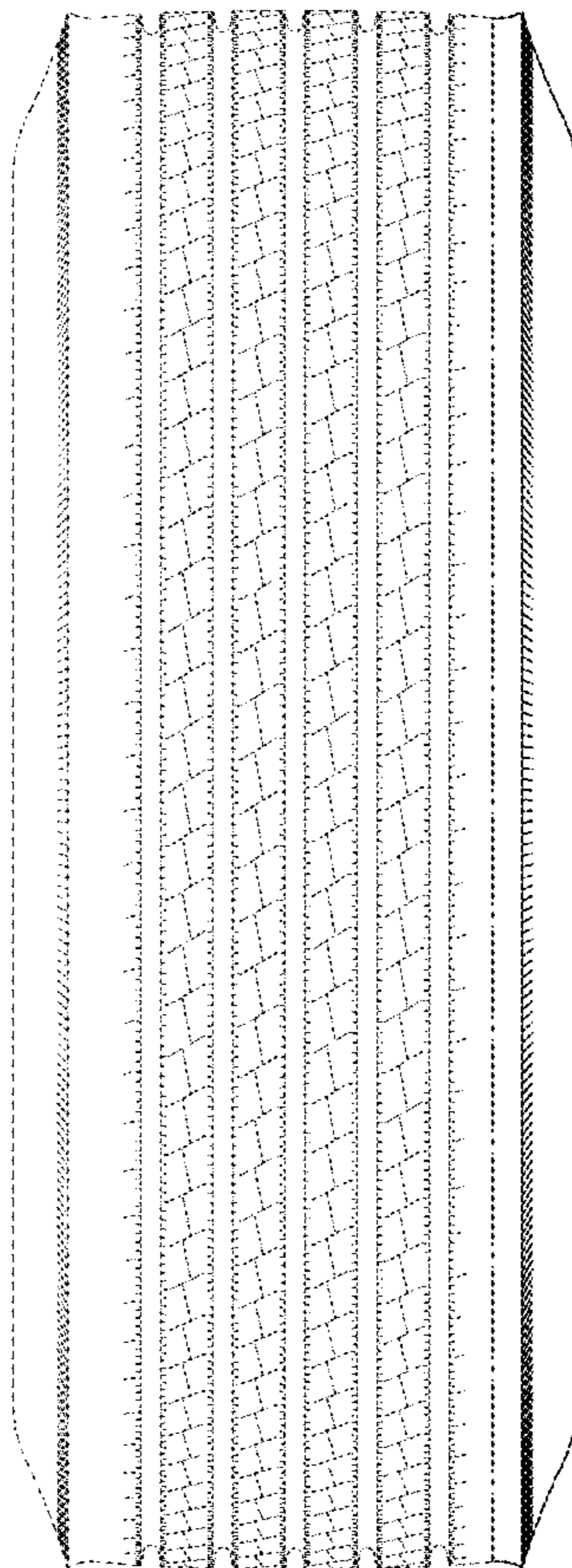
**FIG. 5**



**FIG. 6**

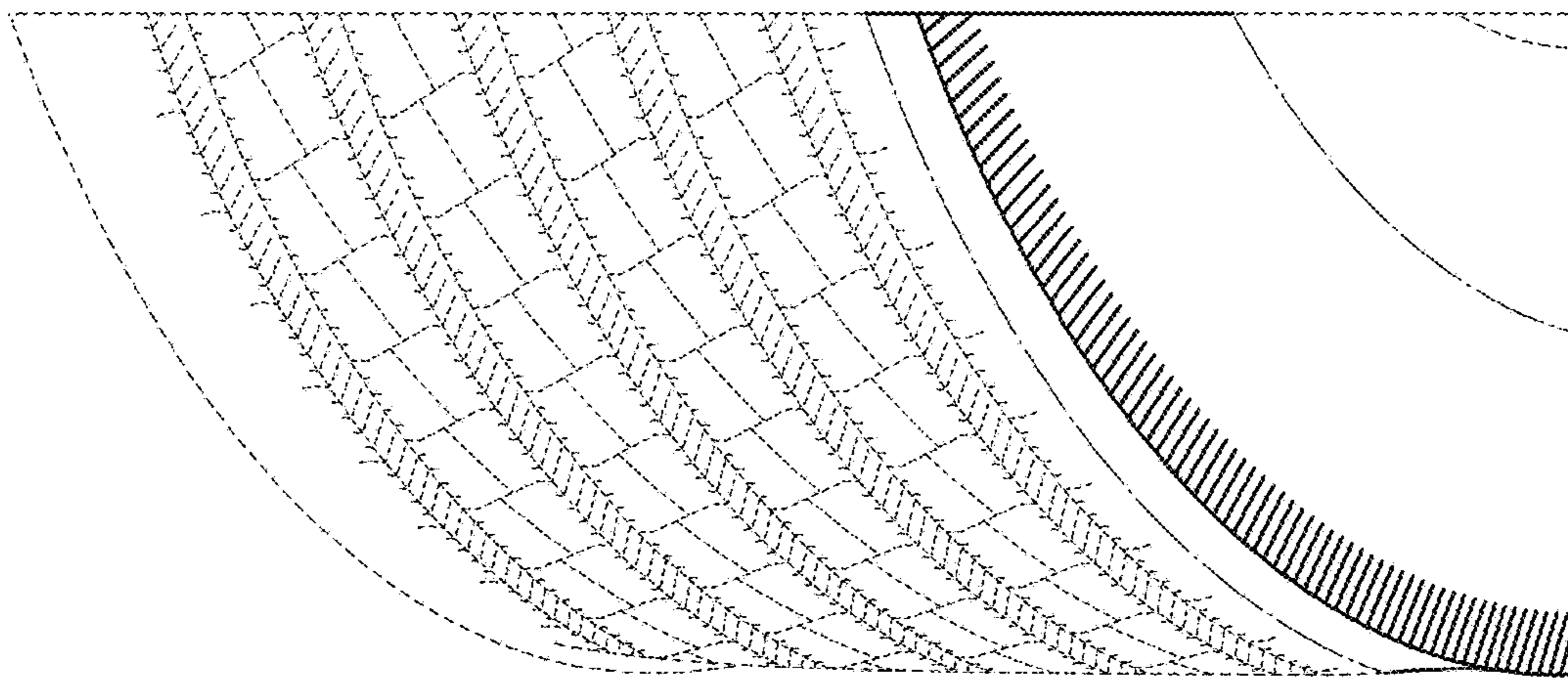


**FIG. 7**

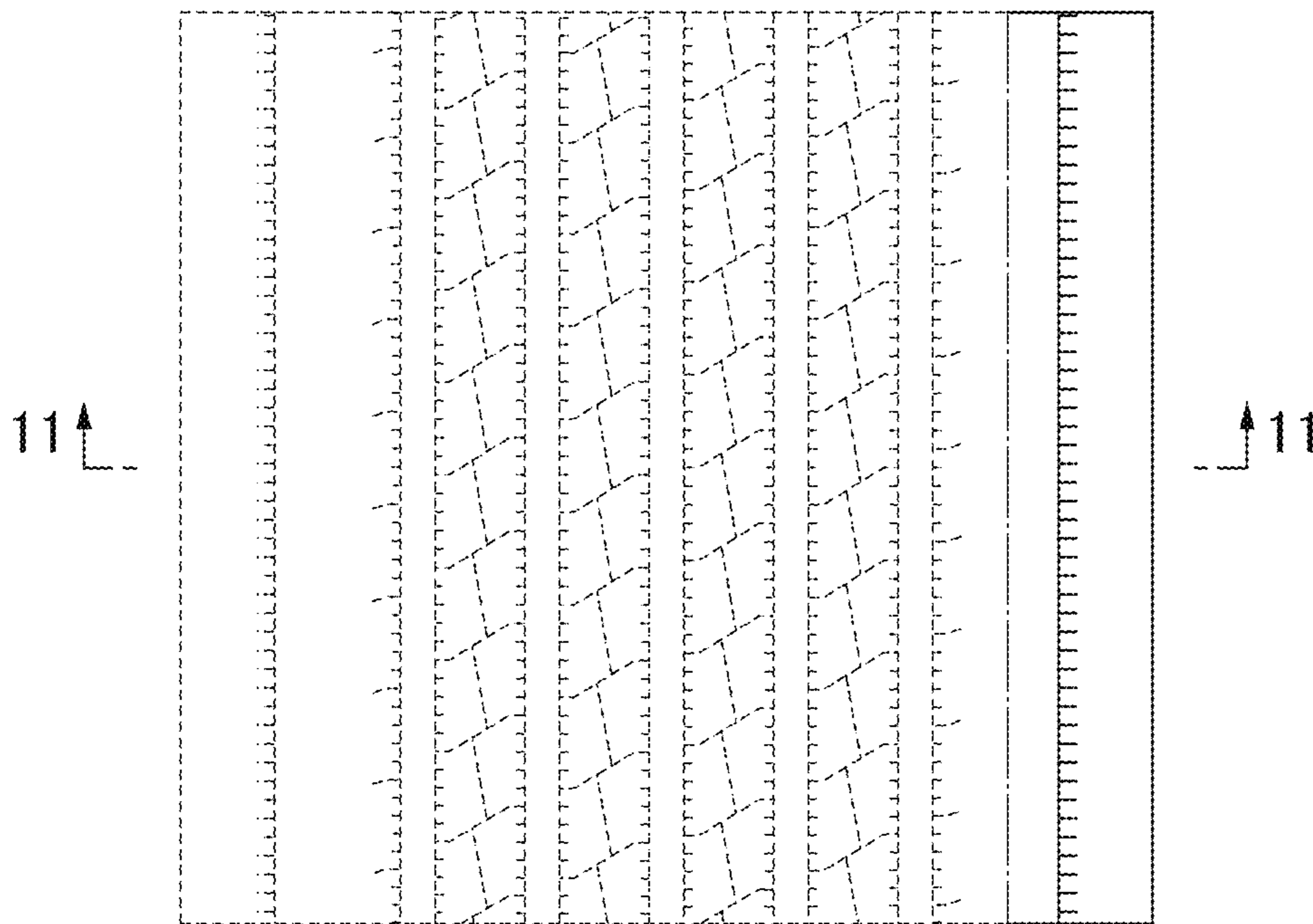




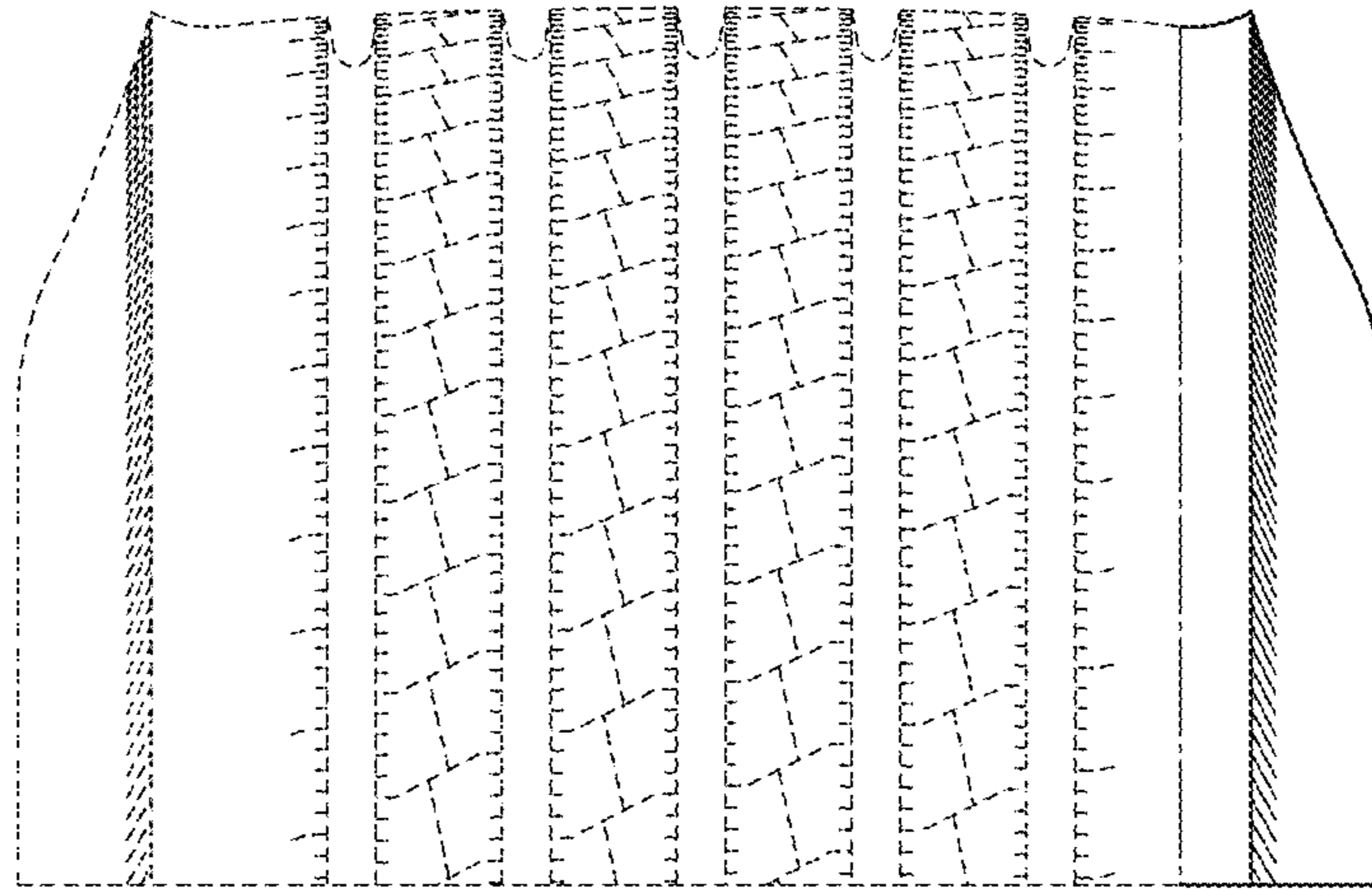
**FIG. 8**



**FIG. 9**



**FIG. 10**



**FIG. 11**

