



US00D785540S

(12) **United States Design Patent**
Olliges et al.

(10) **Patent No.:** **US D785,540 S**
(45) **Date of Patent:** **** May 2, 2017**

- (54) **PADDLE CLIP**
- (71) Applicant: **Sea-Dog Corporation**, Everett, WA (US)
- (72) Inventors: **Paul Olliges**, Everett, WA (US); **Jed Hawkes**, Everett, WA (US); **Mark Barnhart**, Everett, WA (US)
- (73) Assignee: **Sea-Dog Corporation**, Everett, WA (US)
- (**) Term: **15 Years**
- (21) Appl. No.: **29/529,632**
- (22) Filed: **Jun. 9, 2015**
- (51) **LOC (10) Cl.** **12-06**
- (52) **U.S. Cl.**
USPC **D12/317**
- (58) **Field of Classification Search**
USPC D12/300-318; D8/394, 396
CPC .. B63H 16/04; B63H 16/06; B63H 2016/043;
B63H 2016/046; B63H 2016/063; B63H
2016/067; B63H 2016/073
See application file for complete search history.

(56) **References Cited**

U.S. PATENT DOCUMENTS

- 2,724,131 A * 11/1955 Stuart B63H 16/06
114/364
- 2,734,205 A * 2/1956 Preiss B63H 16/06
114/364
- 3,500,483 A * 3/1970 Schohn B63H 16/06
114/364
- 4,453,490 A * 6/1984 Miller B63H 16/04
114/364
- D347,991 S * 6/1994 Barritt D8/356
- 5,816,873 A * 10/1998 Pestel B63H 16/06
114/345
- D406,256 S * 3/1999 Pestel D12/215

- 6,027,387 A * 2/2000 Allin B63B 17/00
114/364
- 6,755,145 B2 * 6/2004 Bolebruch B63B 25/002
114/347
- 7,004,100 B1 * 2/2006 Rard A01K 97/08
114/347

(Continued)

OTHER PUBLICATIONS

“Taco Paddle Clip Kit,” © 2014 Yak Gear Inc, Houston, Texas, <<http://www.yak-gear.com/shop/kayak-canoe-paddle-holder-rigging-kits/Taco-Paddle-Clip-Kit>> [retrieved Mar. 7, 2016], 5 pages.

Primary Examiner — Cynthia M Chin

(74) *Attorney, Agent, or Firm* — Christensen O’Connor Johnson Kindness PLLC

(57) **CLAIM**

The ornamental design for a paddle clip, as shown and described.

DESCRIPTION

FIG. 1 is a top rear perspective view of a paddle clip showing our new design, with a user, paddle and kayak shown in broken lines for the purpose of illustrating a representative environment in which a paddle clip embodying the design is used, but the subject matter shown in broken lines forms no part of the claimed design;

FIG. 2 is a top front perspective view of the paddle clip of FIG. 1;

FIG. 3 is a bottom front perspective view thereof;

FIG. 4 is a top plan view thereof;

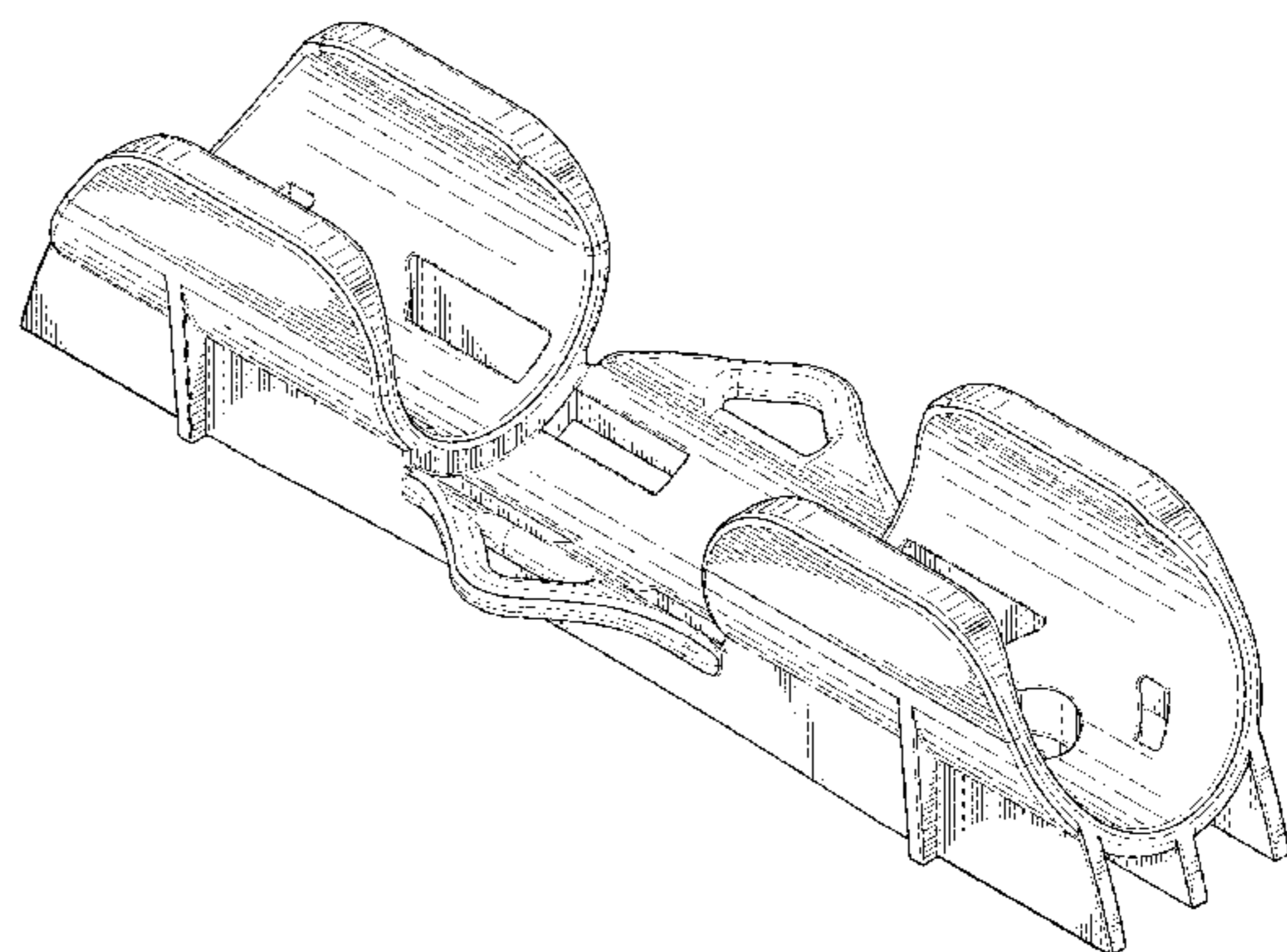
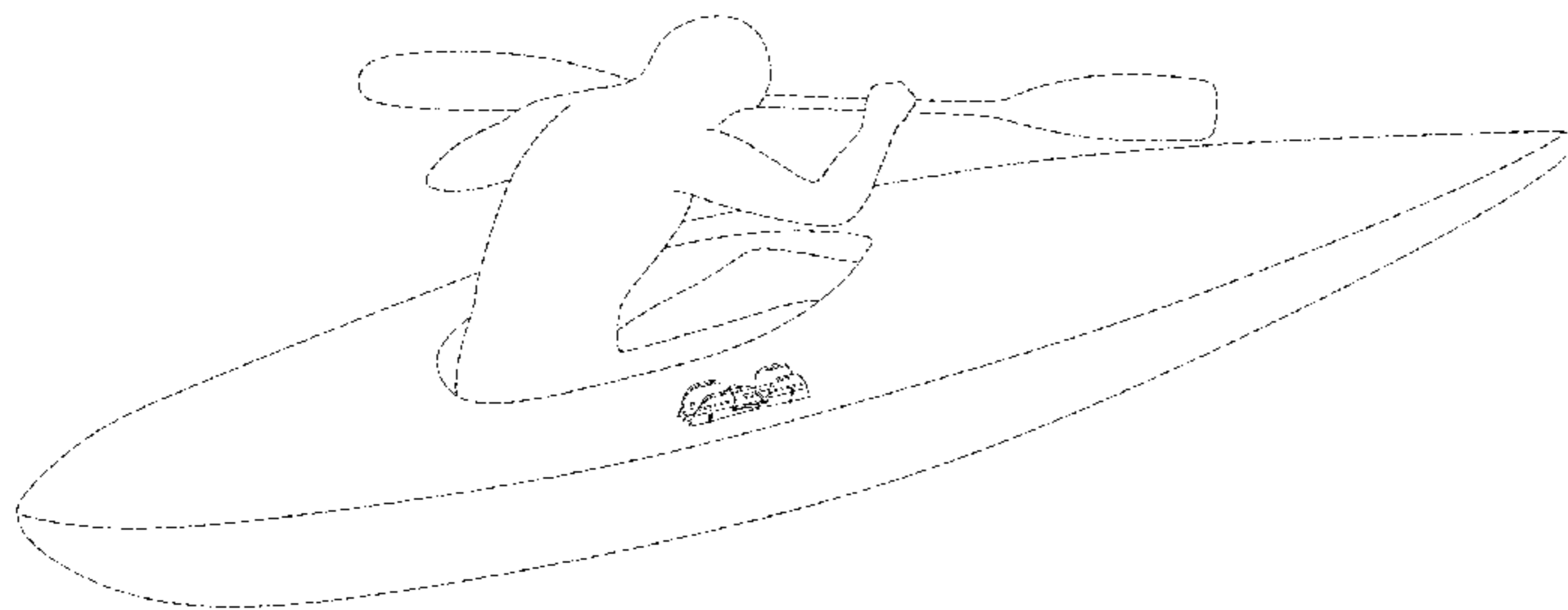
FIG. 5 is a bottom plan view thereof;

FIG. 6 is a left side elevational view thereof, the right side elevational view thereof being the mirror image of FIG. 6;

FIG. 7 is a front end elevational view thereof, the rear end elevational view thereof being the mirror image of FIG. 7; and,

FIG. 8 is a section view along line 8-8 of FIG. 4.

1 Claim, 5 Drawing Sheets



(56)

References Cited

U.S. PATENT DOCUMENTS

D537,331 S * 2/2007 Hill D8/395
7,182,032 B1 * 2/2007 Lindemann B63B 21/00
114/230.1
7,527,012 B2 * 5/2009 Kutny Splaine B63B 25/002
114/343
D632,554 S * 2/2011 Grzyb D8/395
8,052,494 B1 * 11/2011 Whitten B63H 16/06
114/347
D713,242 S * 9/2014 Magan D8/396
8,915,207 B2 * 12/2014 Wirsig B63B 35/71
114/364
2004/0103838 A1 * 6/2004 Bolebruch B63B 25/002
114/347

* cited by examiner

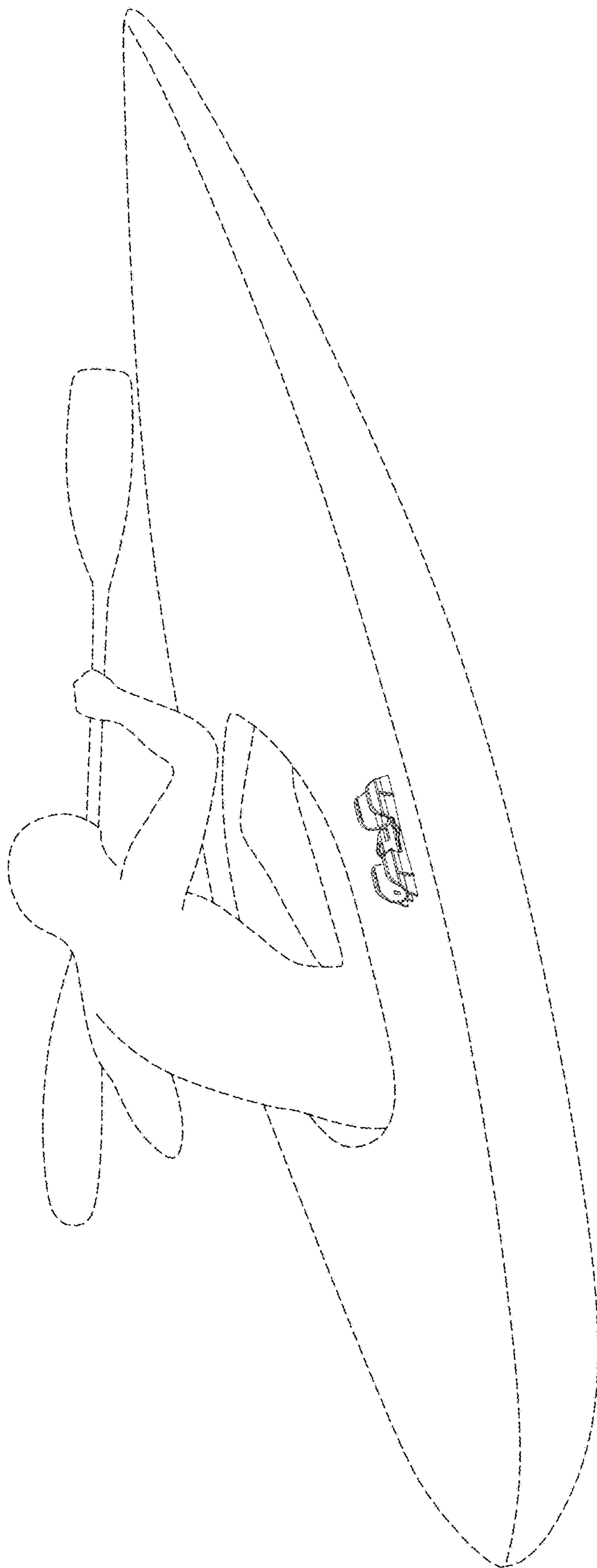


Fig. 1.

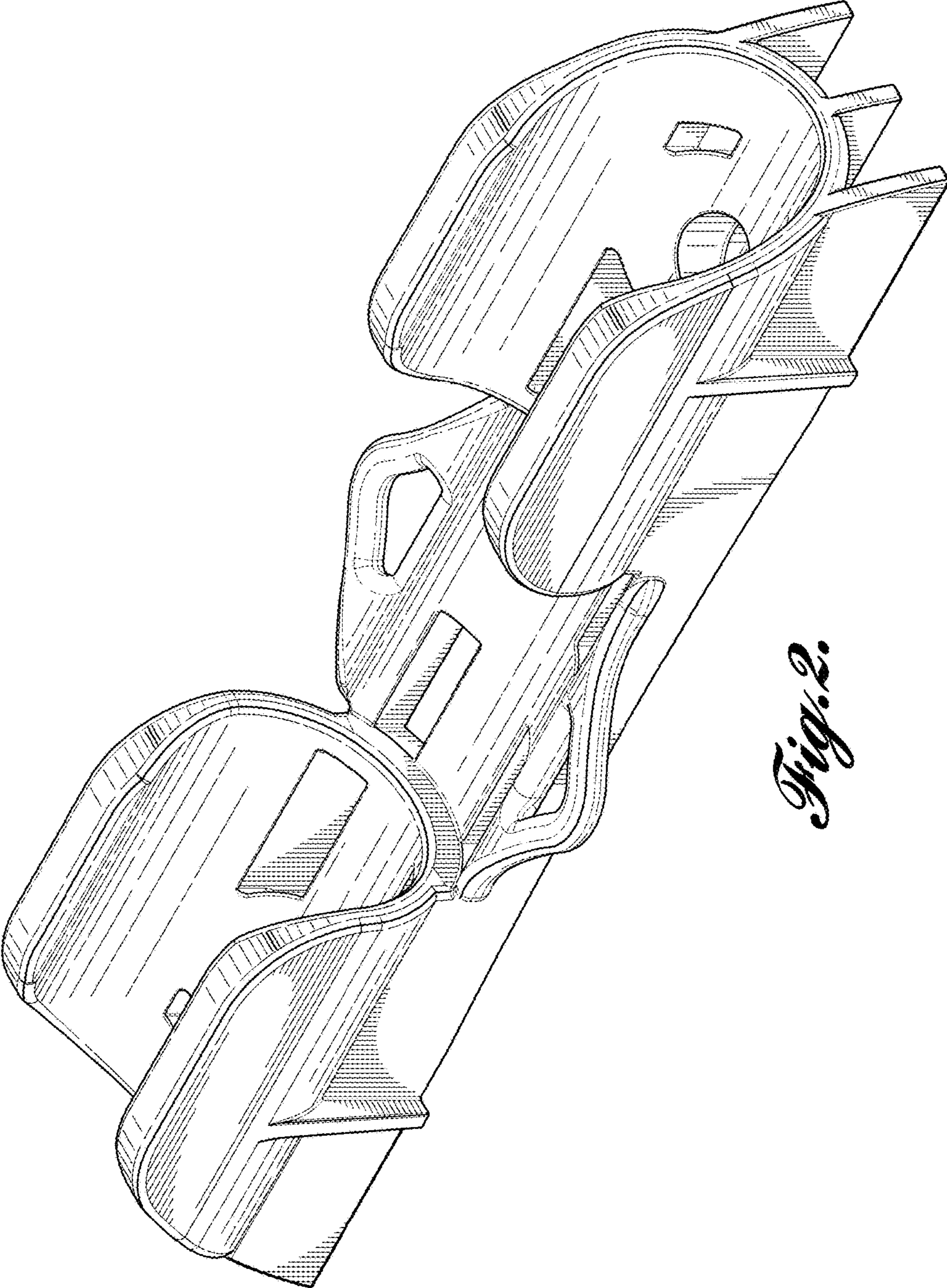


Fig. 2.

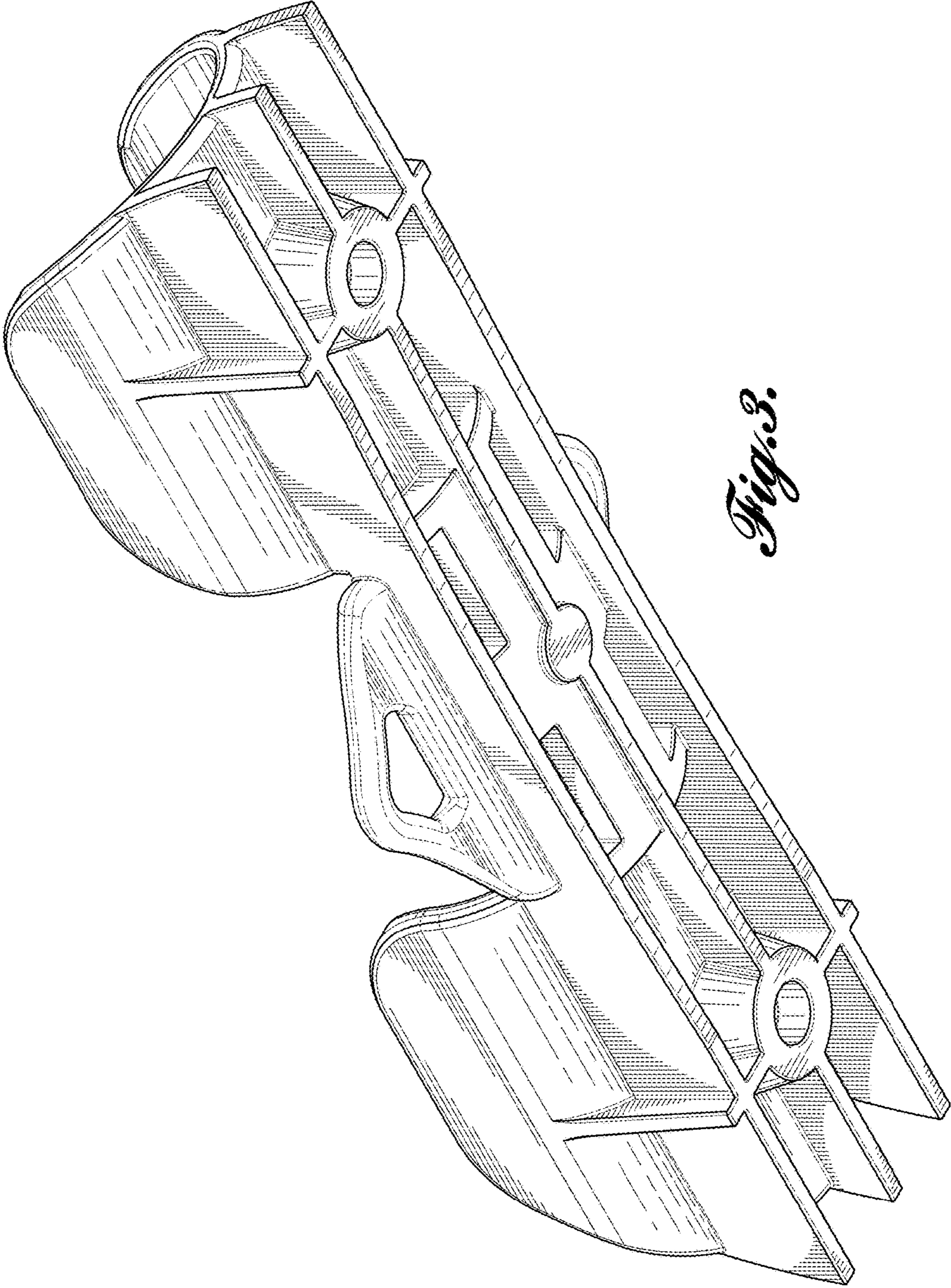
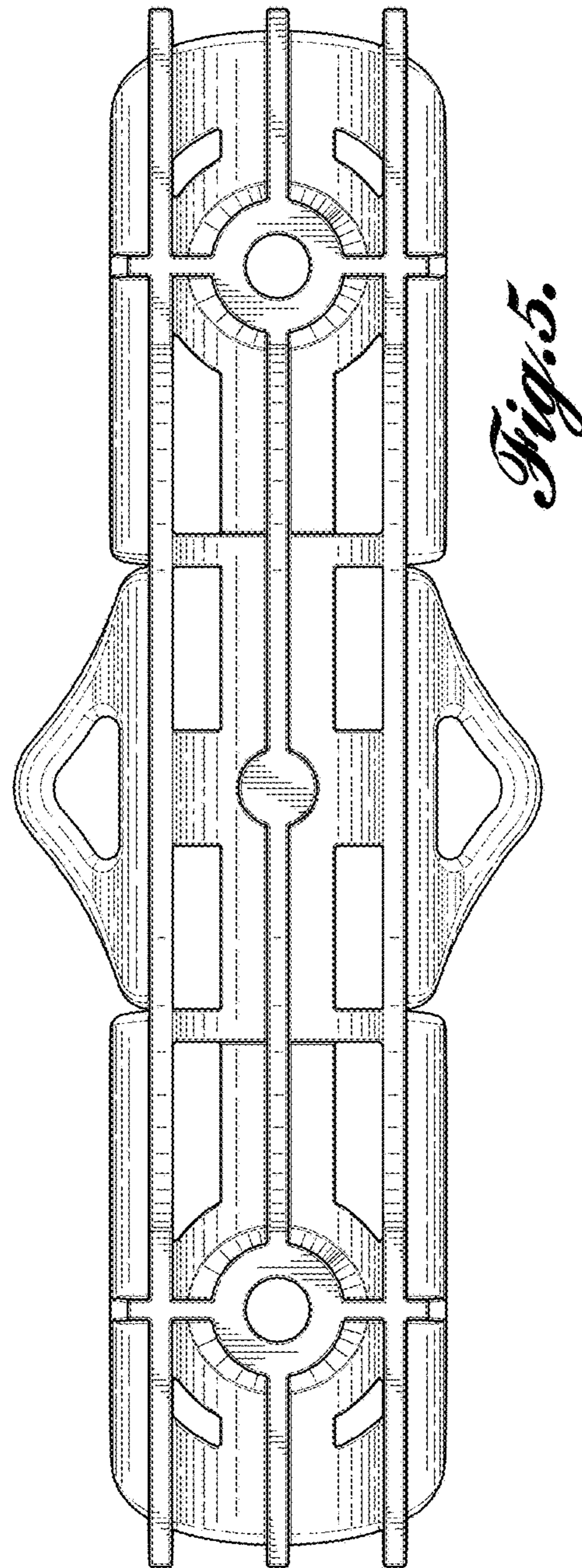
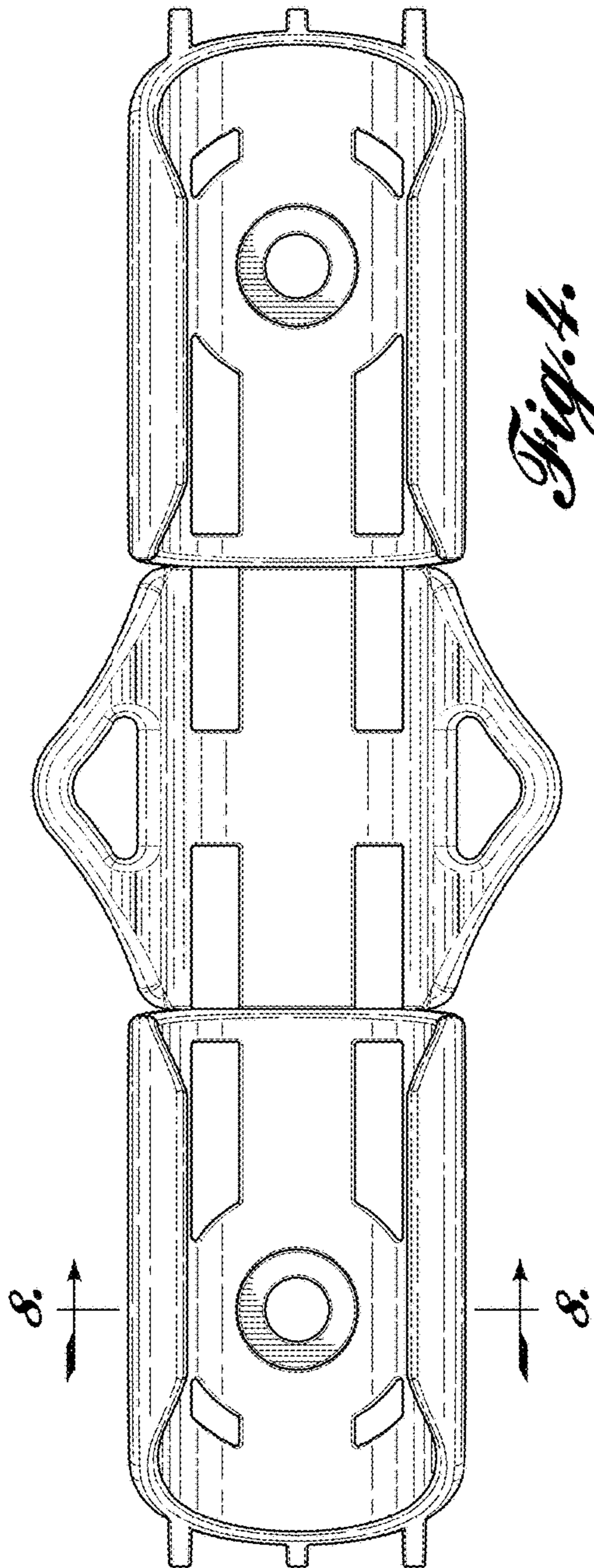


Fig. 3.



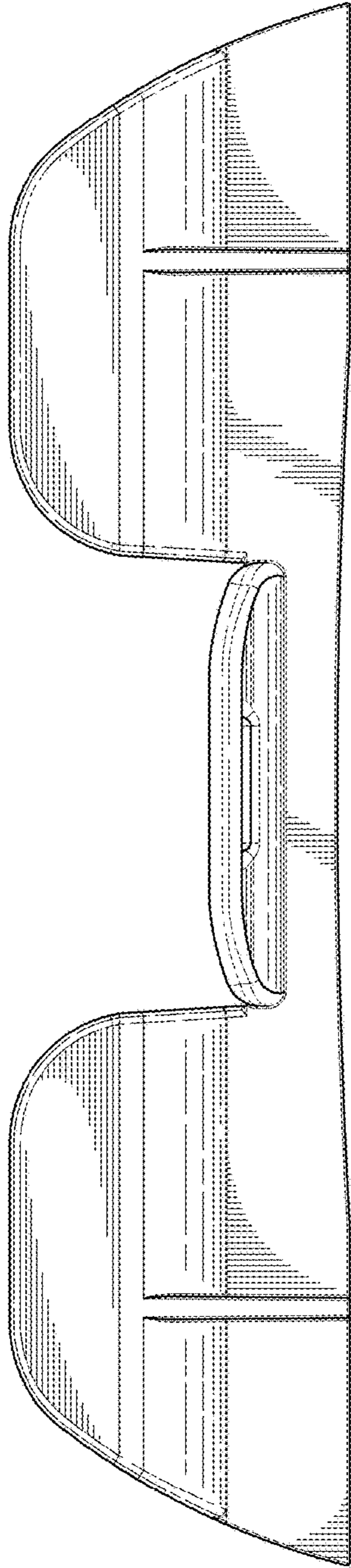


Fig. 6.

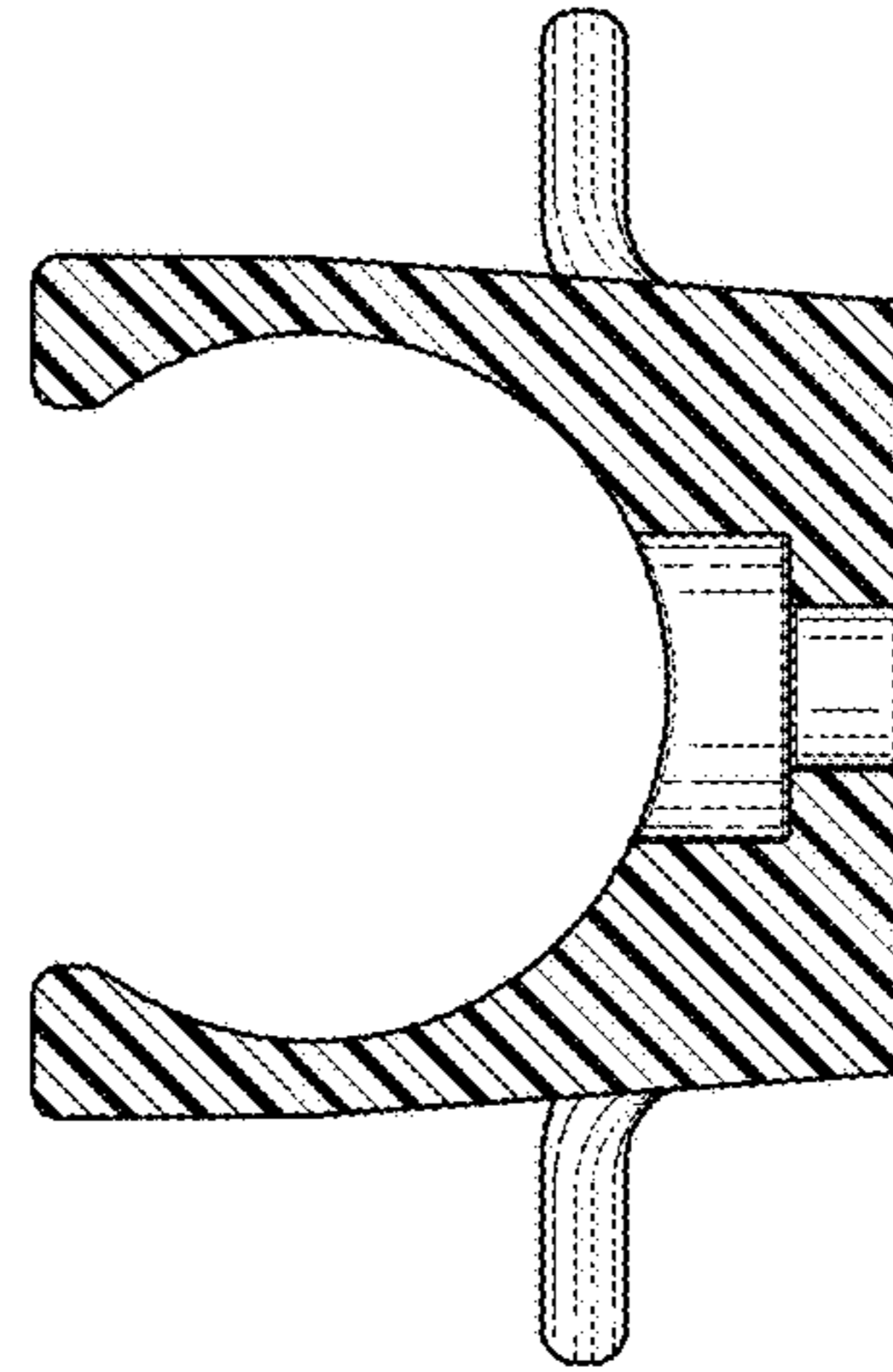


Fig. 7.

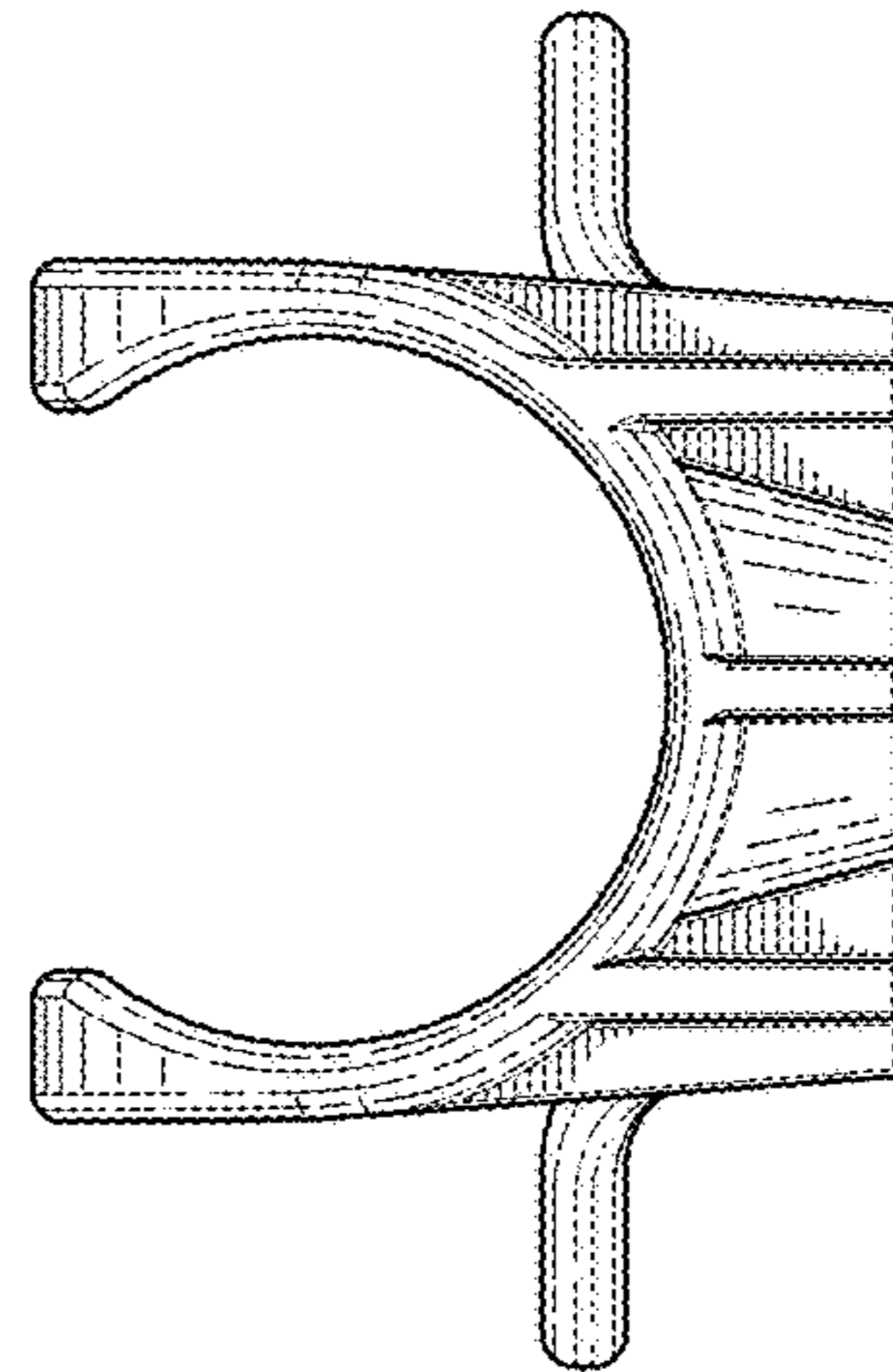


Fig. 8.