



US00D785539S

(12) **United States Design Patent**
Phillip

(10) **Patent No.:** **US D785,539 S**

(45) **Date of Patent:** **** May 2, 2017**

(54) **AFTERMARKET SIDE WINDOW WIPER
DESIGN FOR A MOTOR VEHICLE**

(71) Applicant: **Edwin Phillip**, Brooklyn, NY (US)

(72) Inventor: **Edwin Phillip**, Brooklyn, NY (US)

(**) Term: **15 Years**

(21) Appl. No.: **29/537,952**

(22) Filed: **Aug. 31, 2015**

(51) **LOC (10) Cl.** **12-06**

(52) **U.S. Cl.**
USPC **D12/219**

(58) **Field of Classification Search**
USPC D12/219, 220
CPC B60S 2001/3815; B60S 1/4003; B60S
1/3801

See application file for complete search history.

(56) **References Cited**

U.S. PATENT DOCUMENTS

7,451,520 B2 * 11/2008 Weiler B60S 1/381
15/250.201
7,461,429 B2 * 12/2008 Huang B60S 1/3806
15/250.201
D704,618 S * 5/2014 Ehde D12/219

D712,335 S * 9/2014 Tatsumi D12/219
D712,336 S * 9/2014 Tatsumi D12/219
D716,714 S * 11/2014 Kim D12/219
9,145,111 B2 * 9/2015 Lee B60S 1/3801
D740,737 S * 10/2015 Hyun D12/219
9,381,893 B2 * 7/2016 Tolentino B60S 1/407
2003/0014828 A1 * 1/2003 Edner-Walter B60S 1/381
15/250.201

* cited by examiner

Primary Examiner — Katrina A Betton

(74) *Attorney, Agent, or Firm* — Notaro, Michalos &
Zaccaria P.C.

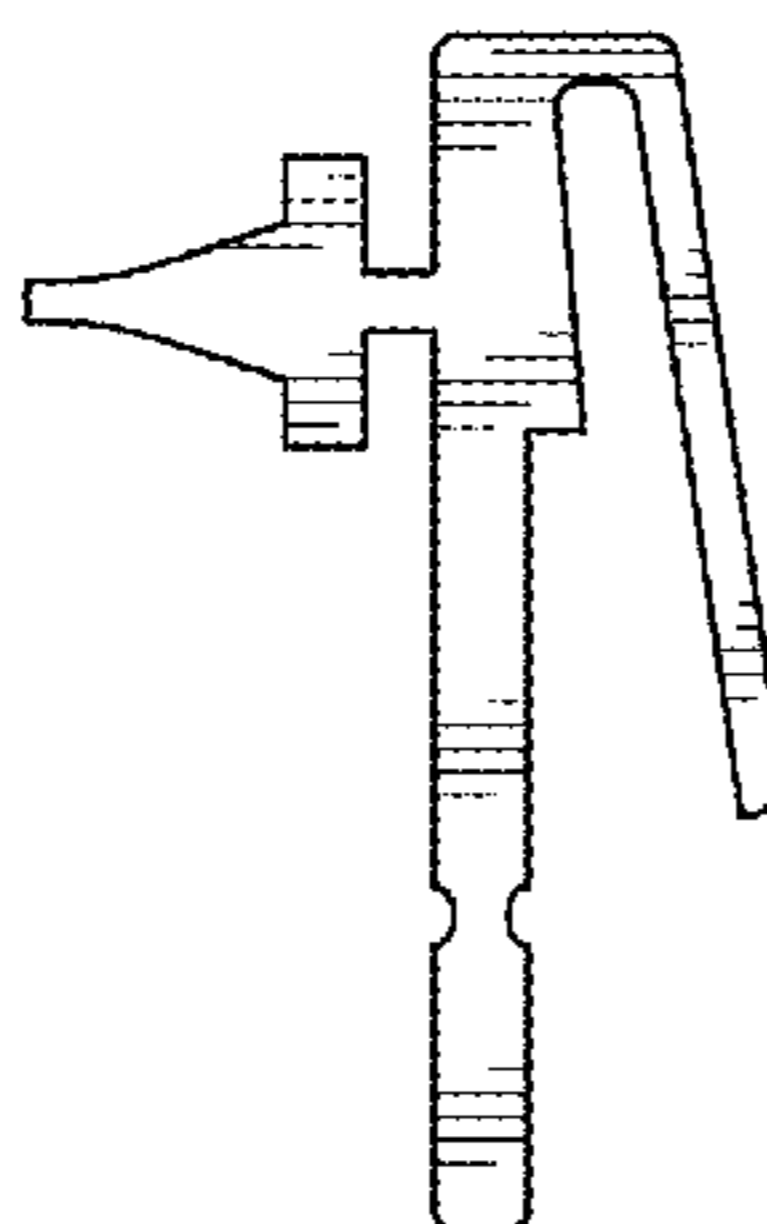
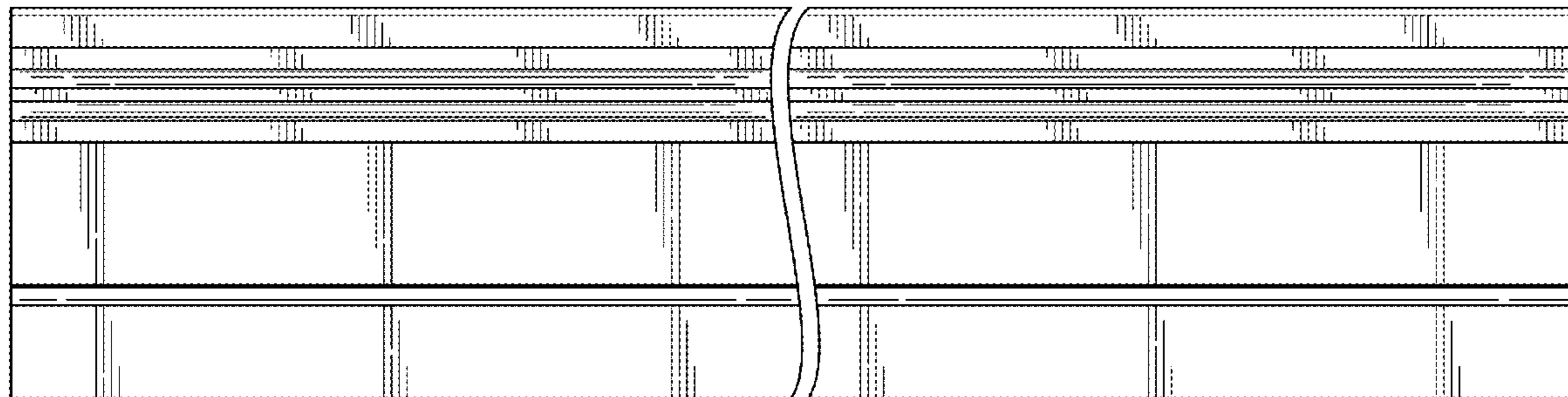
(57) **CLAIM**

The ornamental design for an aftermarket side window wiper design for a motor vehicle, as shown and described.

DESCRIPTION

FIG. 1 is a top, front, end view of an aftermarket side window wiper design for a motor vehicle showing my design therefor, the wiper being of indeterminate length and comprising a profile of flexible material;
FIG. 2 is a top rear end perspective view thereof;
FIG. 3 is a front elevational view thereof;
FIG. 4 is a rear elevational view thereof;
FIG. 5 is a end view thereof;
FIG. 6 is a top plan view thereof; and,
FIG. 7 is a bottom plan view thereof.

1 Claim, 4 Drawing Sheets



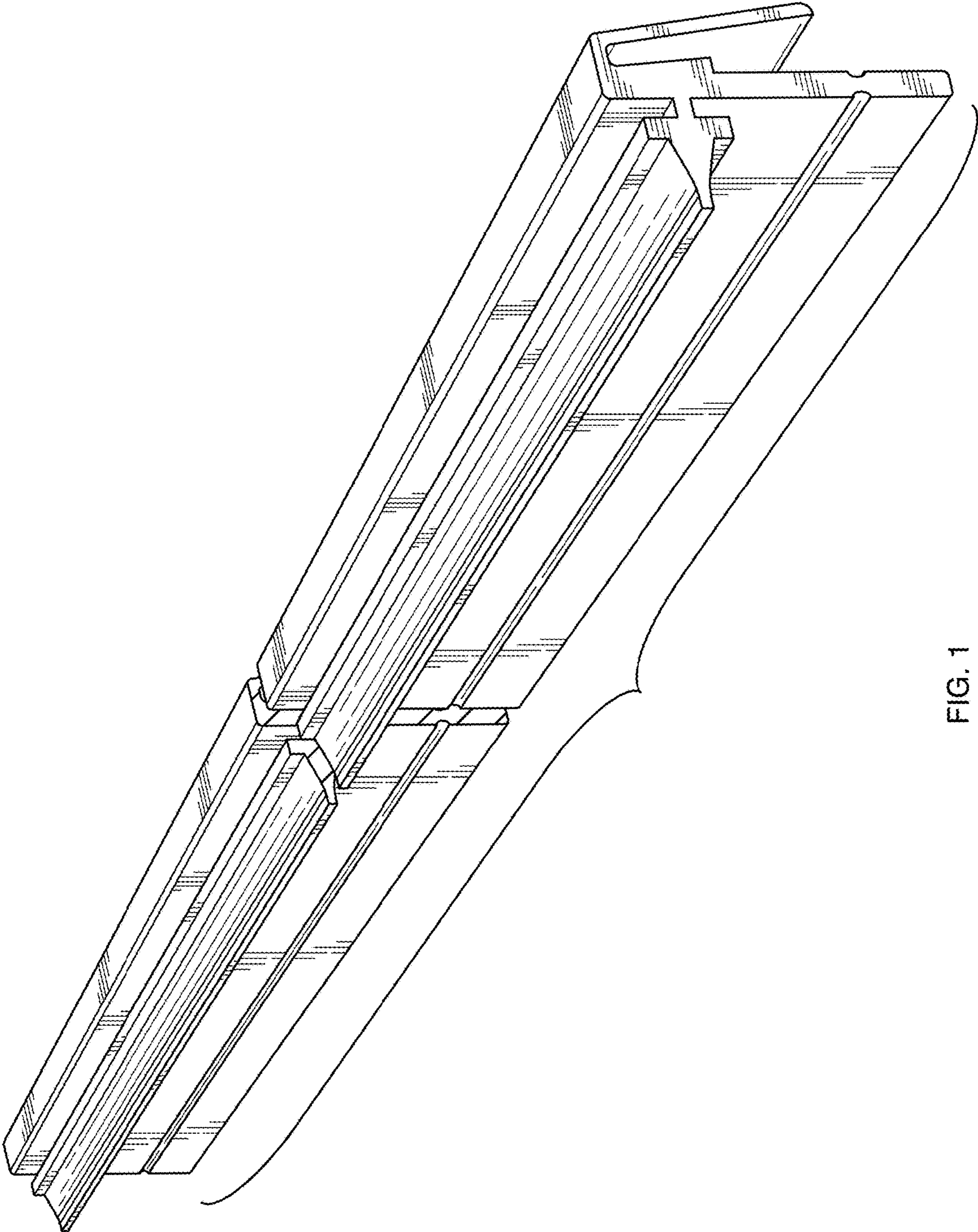


FIG. 1

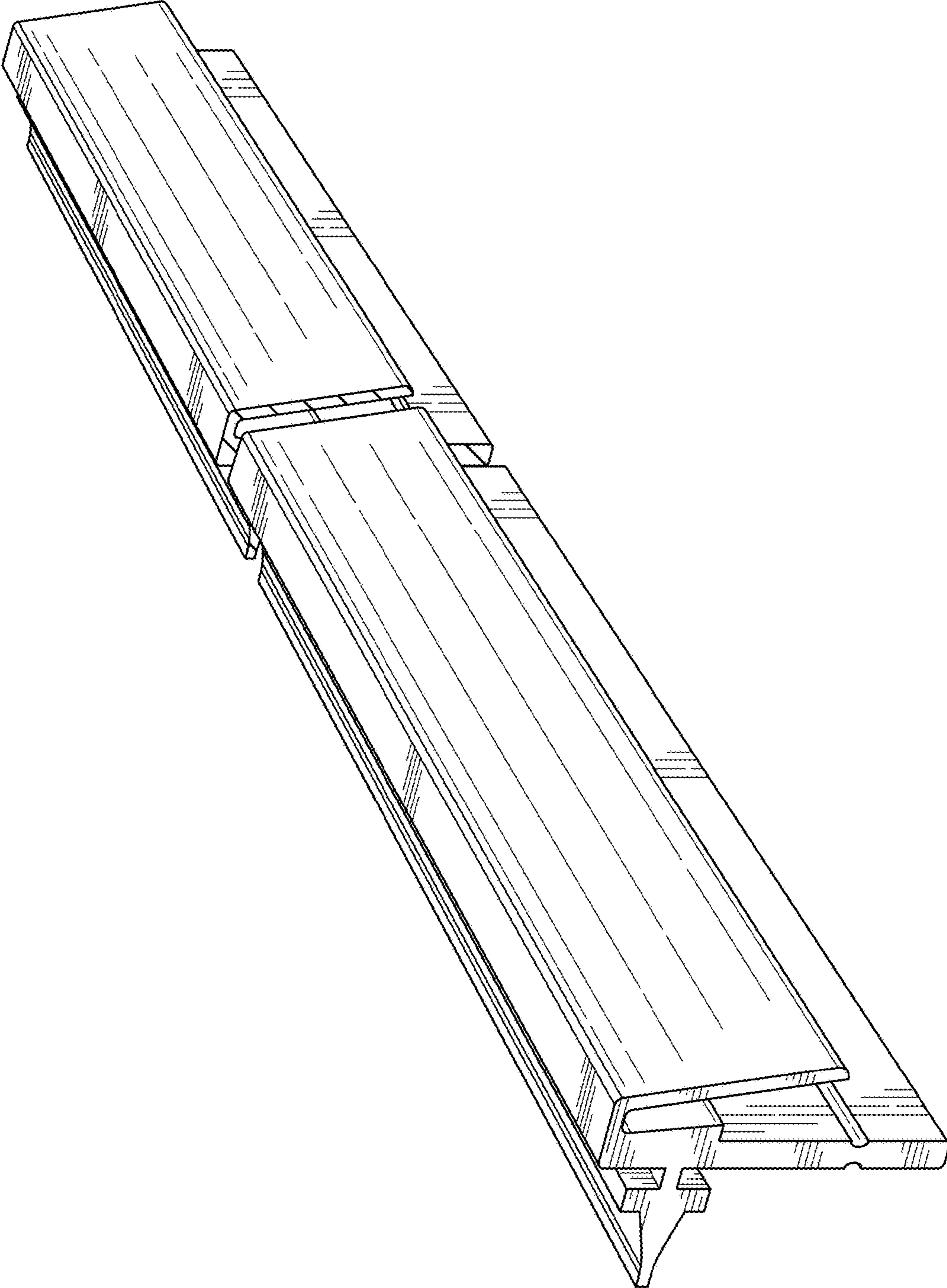


FIG. 2

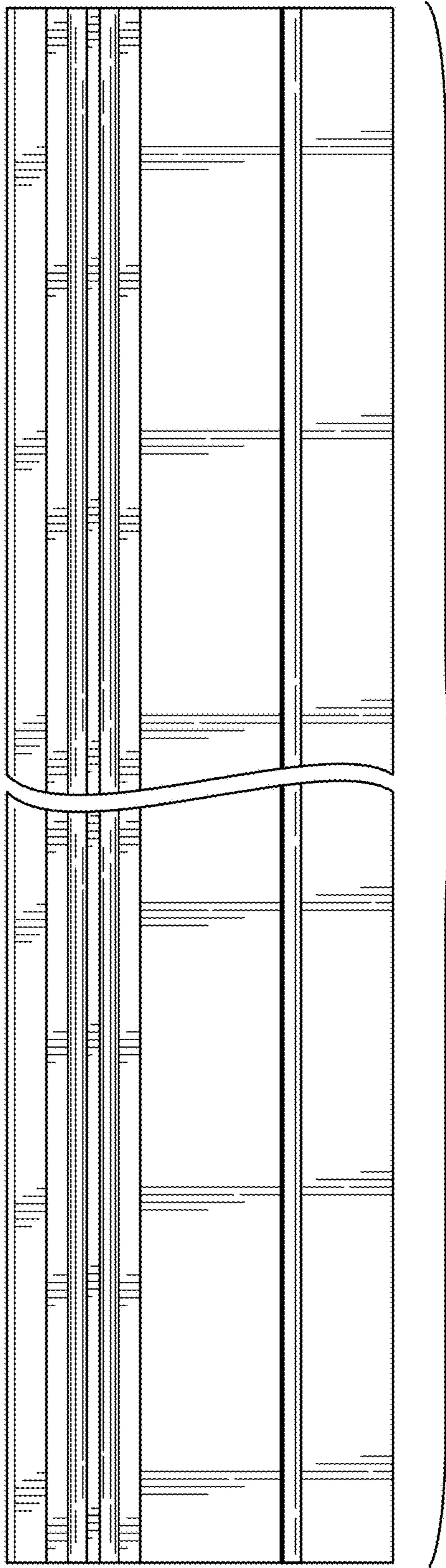


FIG. 3

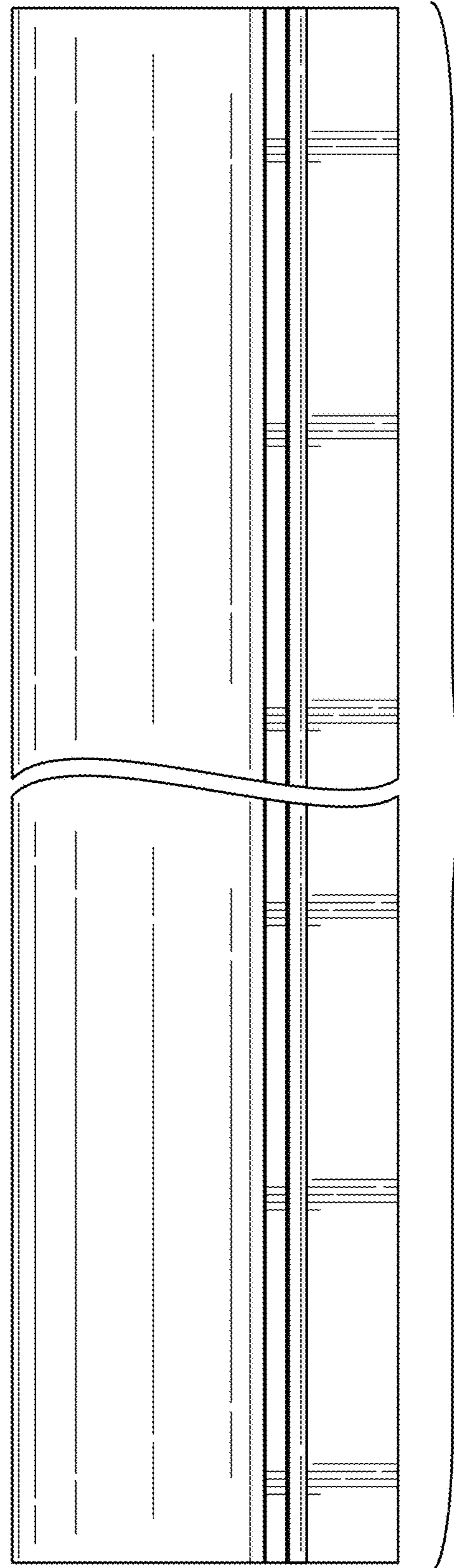


FIG. 4

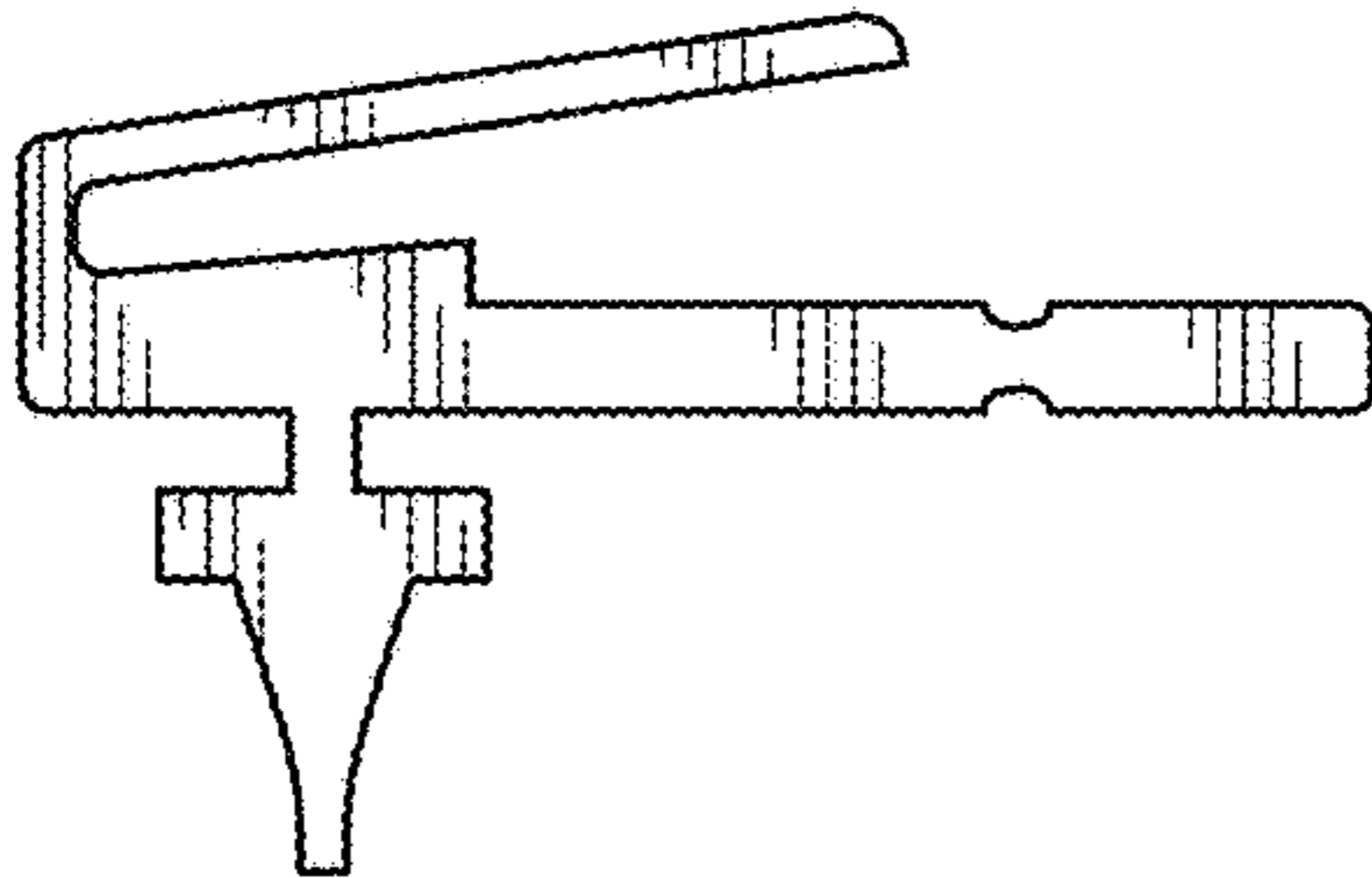


FIG. 5

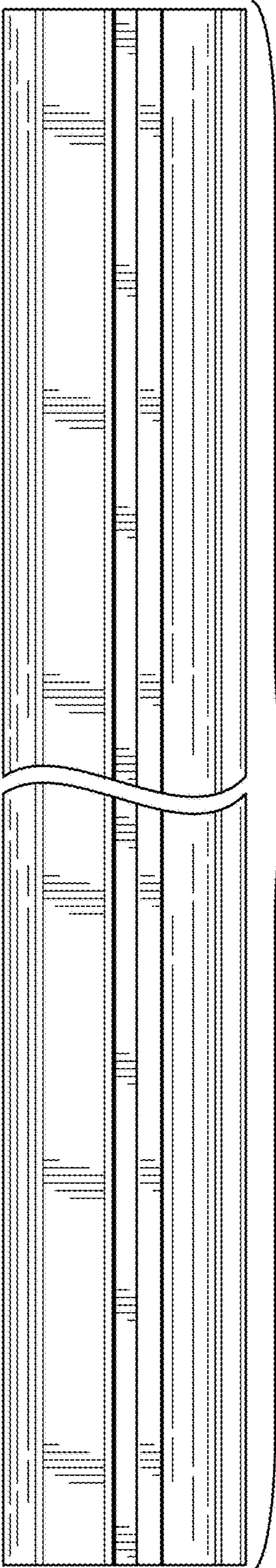


FIG. 6

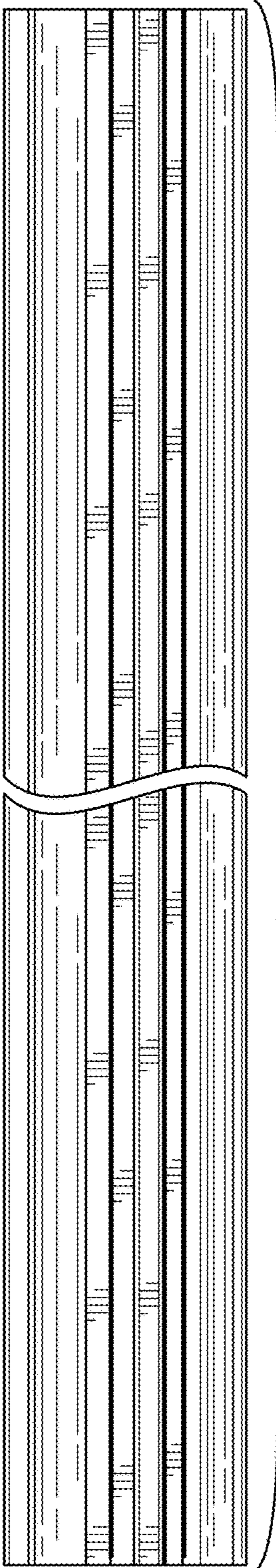


FIG. 7