



US00D785538S

(12) **United States Design Patent** (10) **Patent No.:** **US D785,538 S**  
**Jordan et al.** (45) **Date of Patent:** **\*\* May 2, 2017**

(54) **WHEEL CENTER CAP**  
(71) Applicants: **Jason Jordan**, Moxee, WA (US);  
**Dorothy Jordan**, Moxee, WA (US)  
(72) Inventors: **Jason Jordan**, Moxee, WA (US);  
**Dorothy Jordan**, Moxee, WA (US)  
(\*\*) Term: **15 Years**  
(21) Appl. No.: **29/533,284**  
(22) Filed: **Jul. 15, 2015**  
(51) **LOC (10) Cl.** ..... **12-16**  
(52) **U.S. Cl.**  
USPC ..... **D12/213**  
(58) **Field of Classification Search**  
USPC ..... D12/204-213, 118; D8/312, 321, 397,  
D8/354; D9/307, 418, 431, 450  
CPC .... B60B 7/00; B60B 7/02; B60B 7/04; B60B  
7/01; B60B 7/06; B60B 7/08; B60B 3/02;  
B60B 3/04; B60B 3/06; B60B 3/10;  
B60B 1/00; B60B 1/08; B60B 1/10;  
B60B 1/12  
See application file for complete search history.

(56) **References Cited**  
U.S. PATENT DOCUMENTS  
D325,168 S \* 4/1992 Dlabac ..... D9/431  
D378,835 S \* 4/1997 Guerrero ..... D9/431  
D407,362 S \* 3/1999 Schardt ..... D12/204  
D427,511 S \* 7/2000 Weld ..... D8/397  
D443,244 S \* 6/2001 Almaraz ..... D12/213  
D445,085 S \* 7/2001 Herrera ..... D12/213

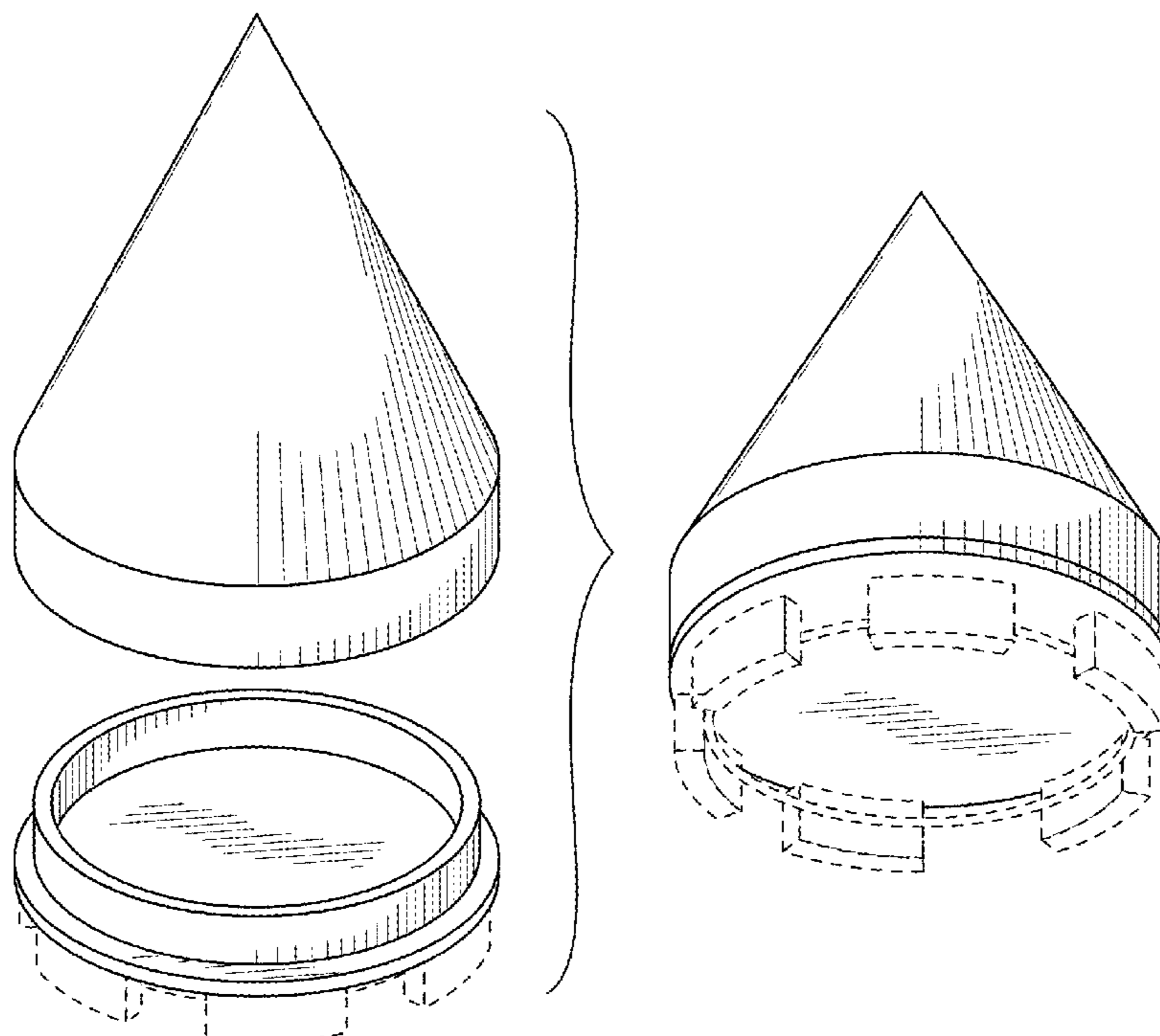
D462,043 S \* 8/2002 Choi ..... D12/213  
D548,584 S \* 8/2007 Terrasi ..... D9/418  
D581,777 S \* 12/2008 Huang ..... D8/397  
D613,594 S \* 4/2010 Huang ..... D12/213  
D613,595 S \* 4/2010 Huang ..... D12/213  
D625,990 S \* 10/2010 Lin ..... D12/213  
D657,659 S \* 4/2012 Bucci ..... D8/354  
D668,933 S \* 10/2012 Bucci ..... D8/354  
D720,208 S \* 12/2014 Jordan ..... D8/397  
D731,300 S \* 6/2015 Vargas ..... D8/397  
D738,265 S \* 9/2015 McNeeley ..... D12/118

\* cited by examiner  
*Primary Examiner* — Stacia Cadmus  
(74) *Attorney, Agent, or Firm* — Quickpatents, LLC;  
Kevin Prince

(57) **CLAIM**  
We claim the ornamental design for a wheel center cap, as shown and described.

**DESCRIPTION**  
FIG. 1 is a perspective view of a wheel center cap, showing our new design;  
FIG. 2 is an enlarged, exploded perspective view thereof;  
FIG. 3 is a top plan view thereof, the bottom plan view, left-side elevational view, and right-side elevational view all being identical thereto;  
FIG. 4 is a front elevational view thereof;  
FIG. 5 is a rear elevational view thereof; and,  
FIG. 6 is a bottom perspective view thereof.  
The broken lines showing a wheel in FIG. 1 and mounting clips in FIGS. 1-3, 5 & 6 depict environmental matter and form no part of the claimed design.

**1 Claim, 2 Drawing Sheets**



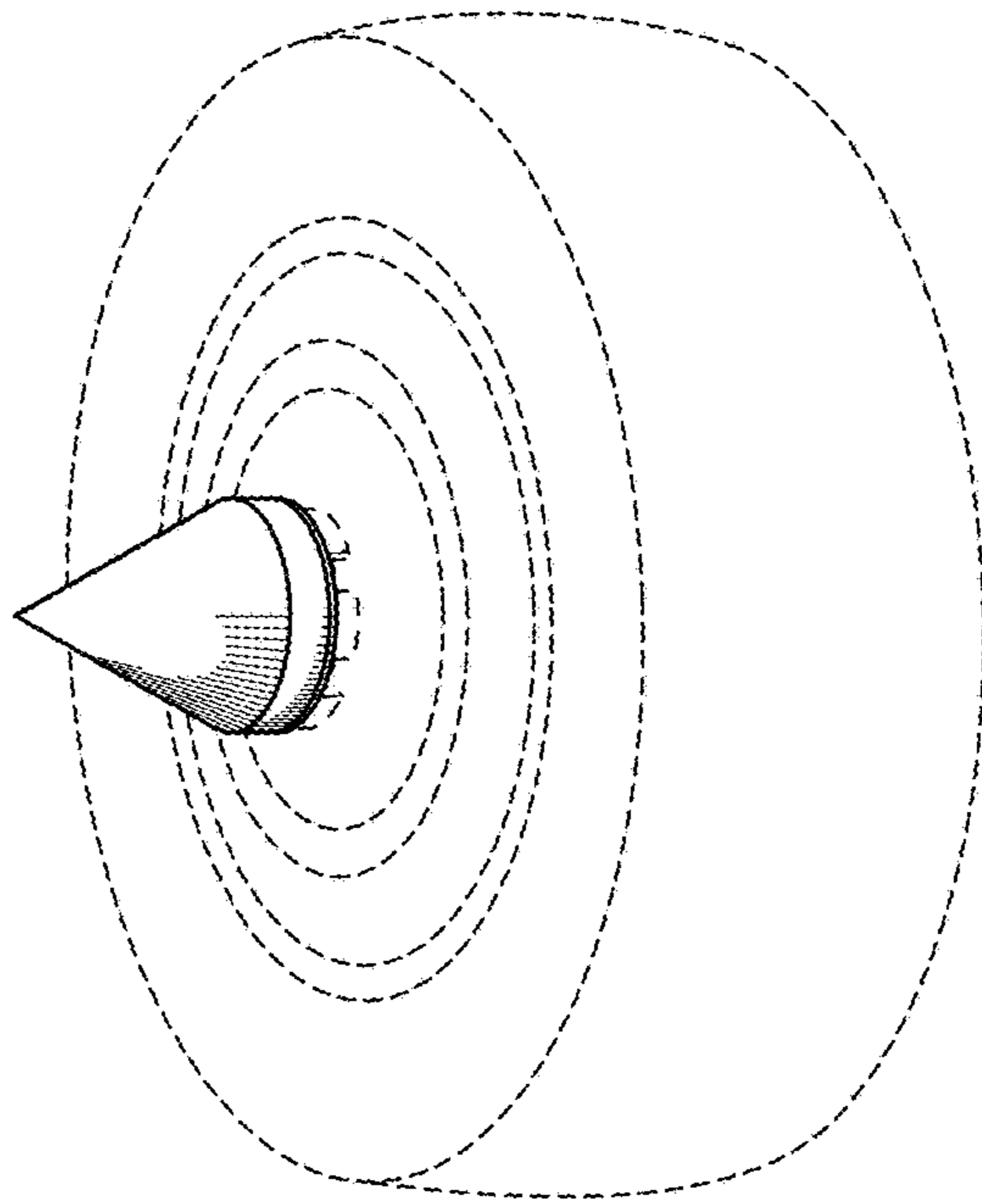


FIG. 1

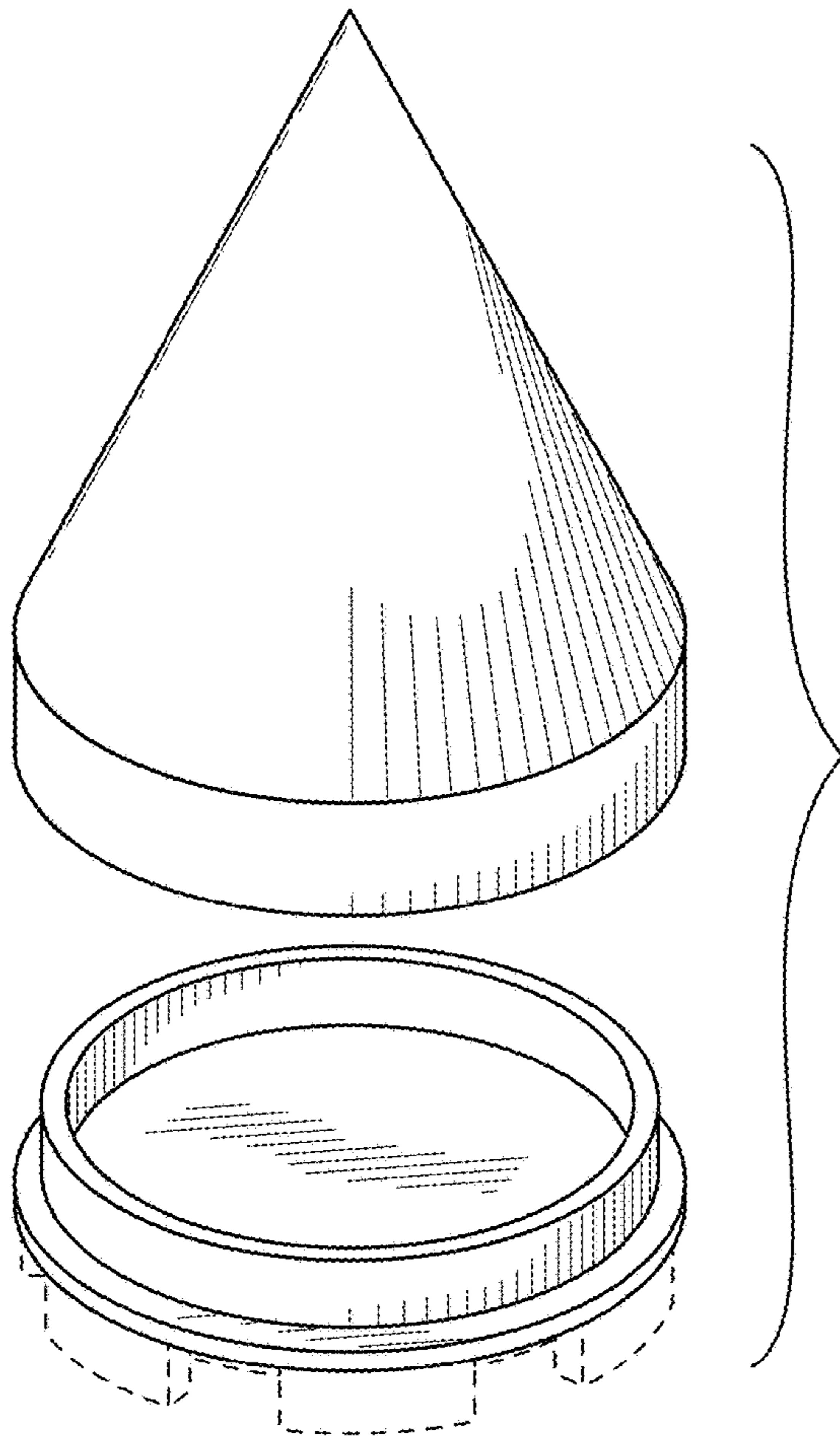


FIG. 2

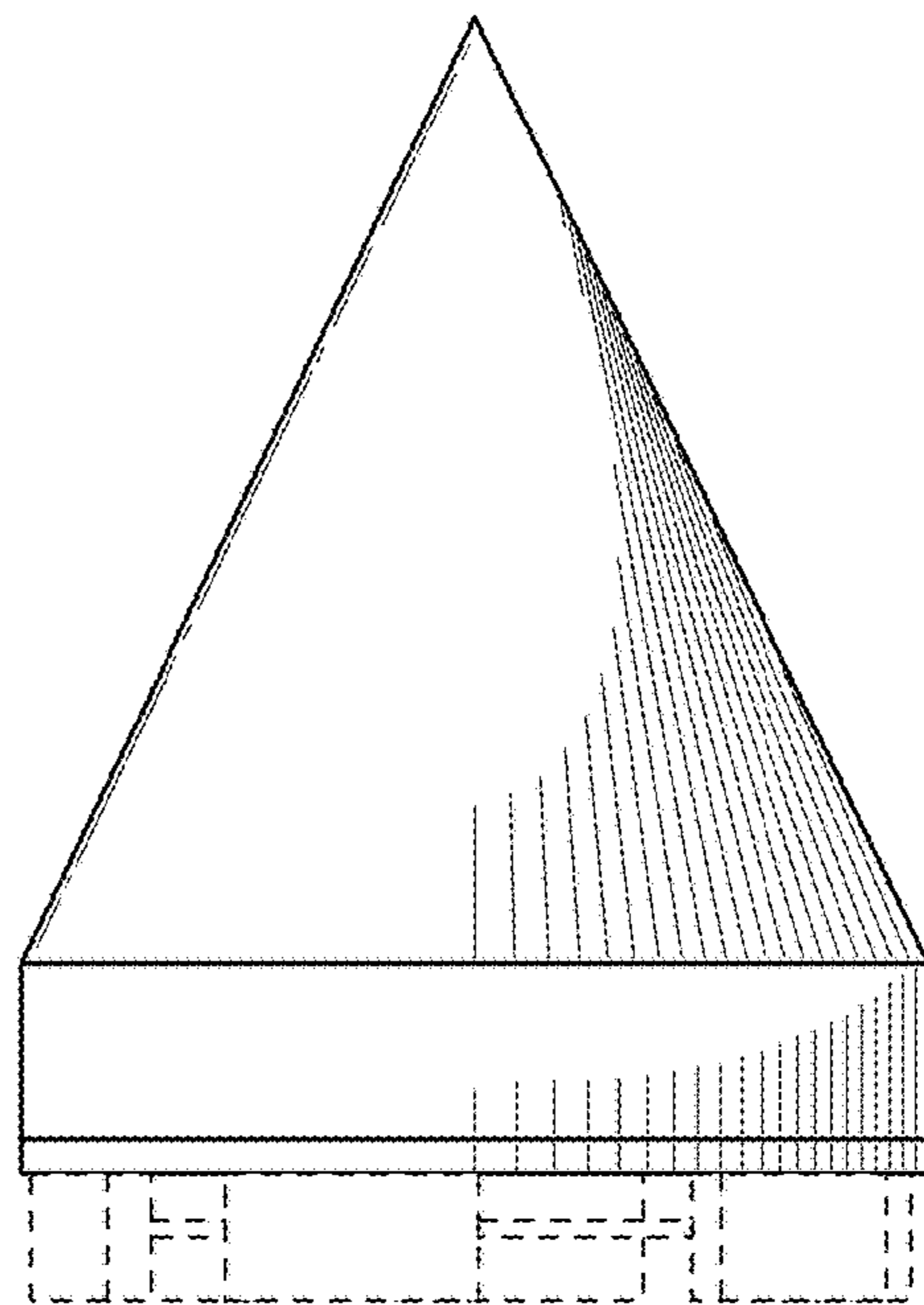


FIG. 3

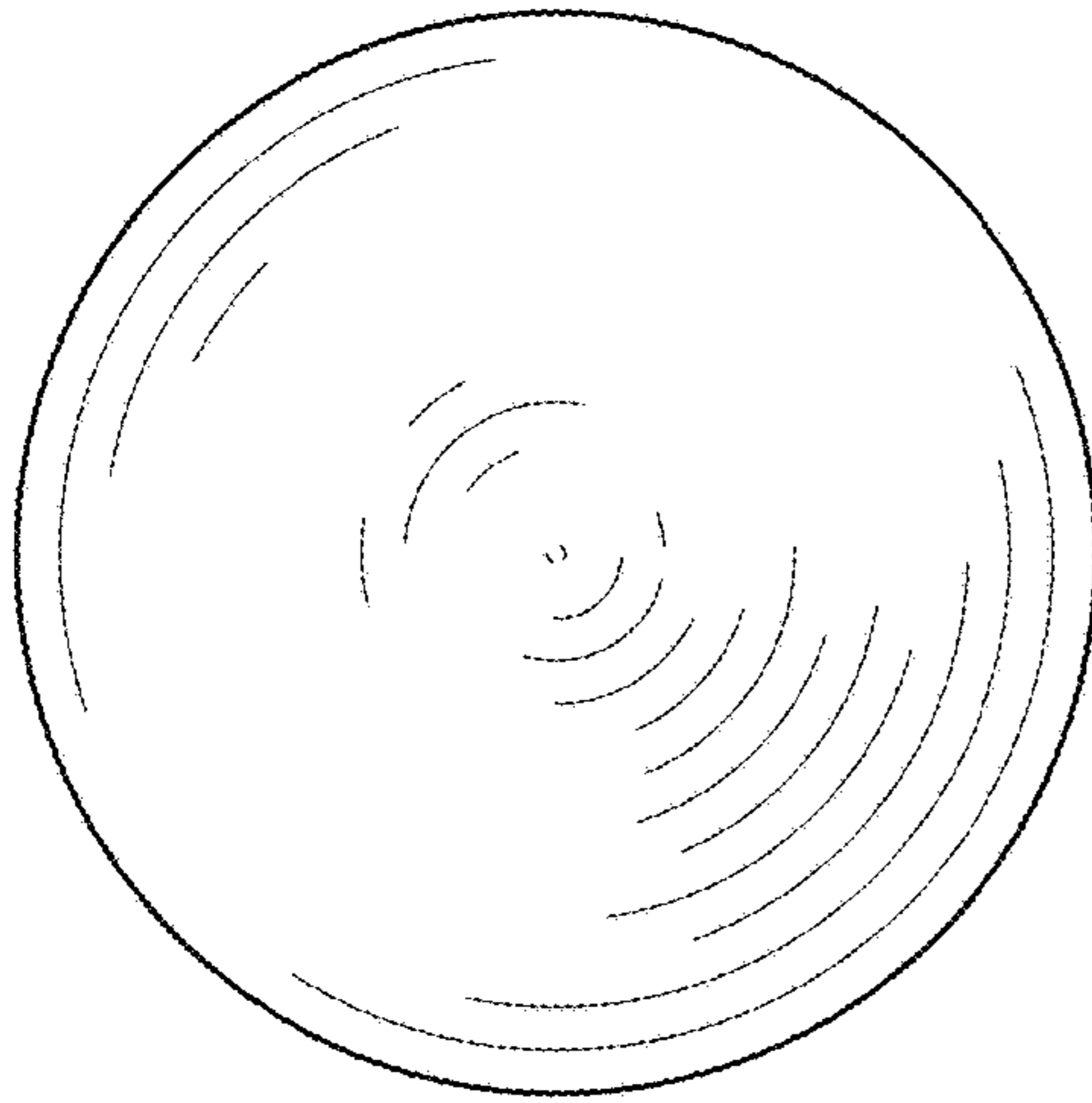


FIG. 4

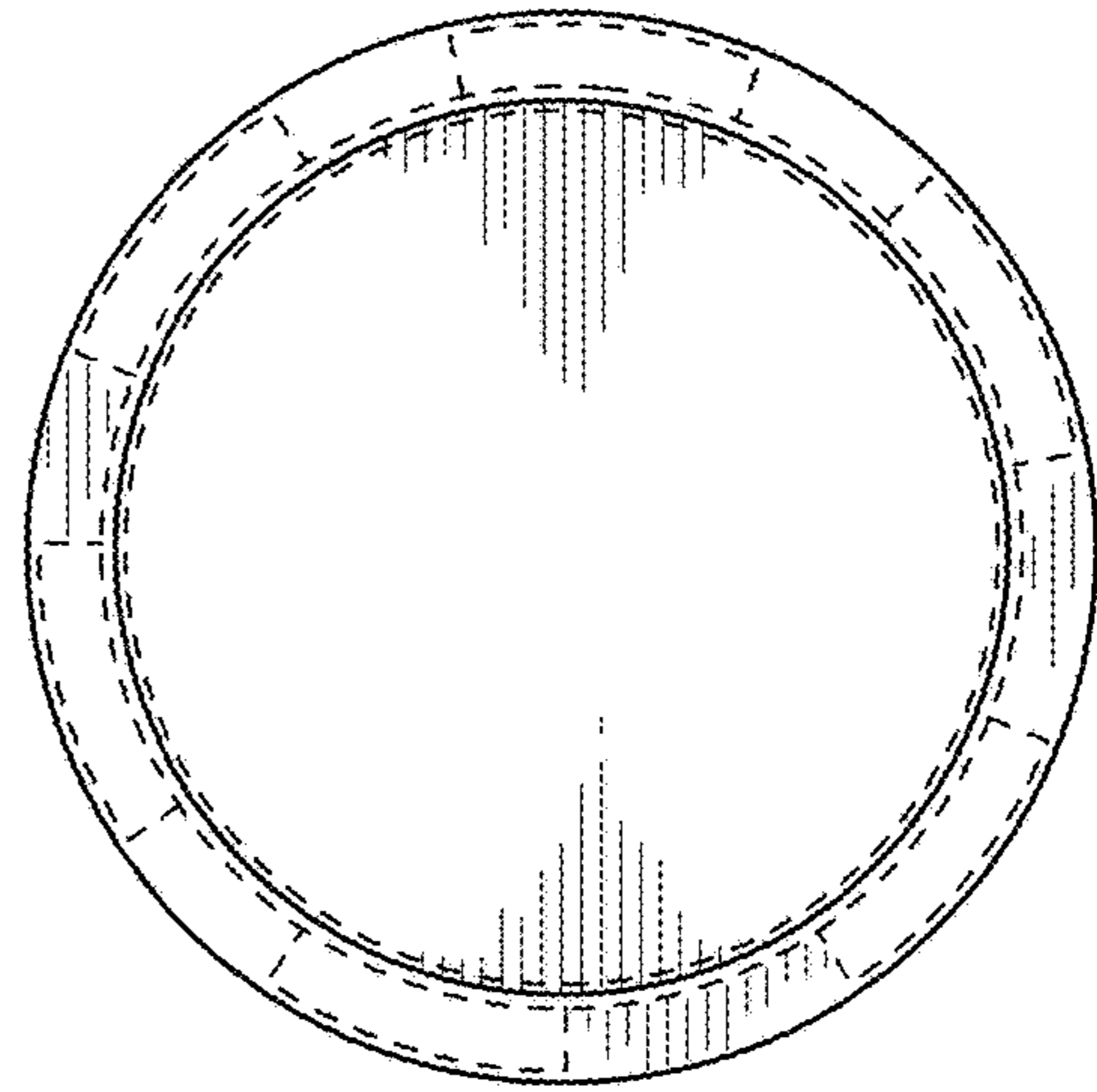


FIG. 5

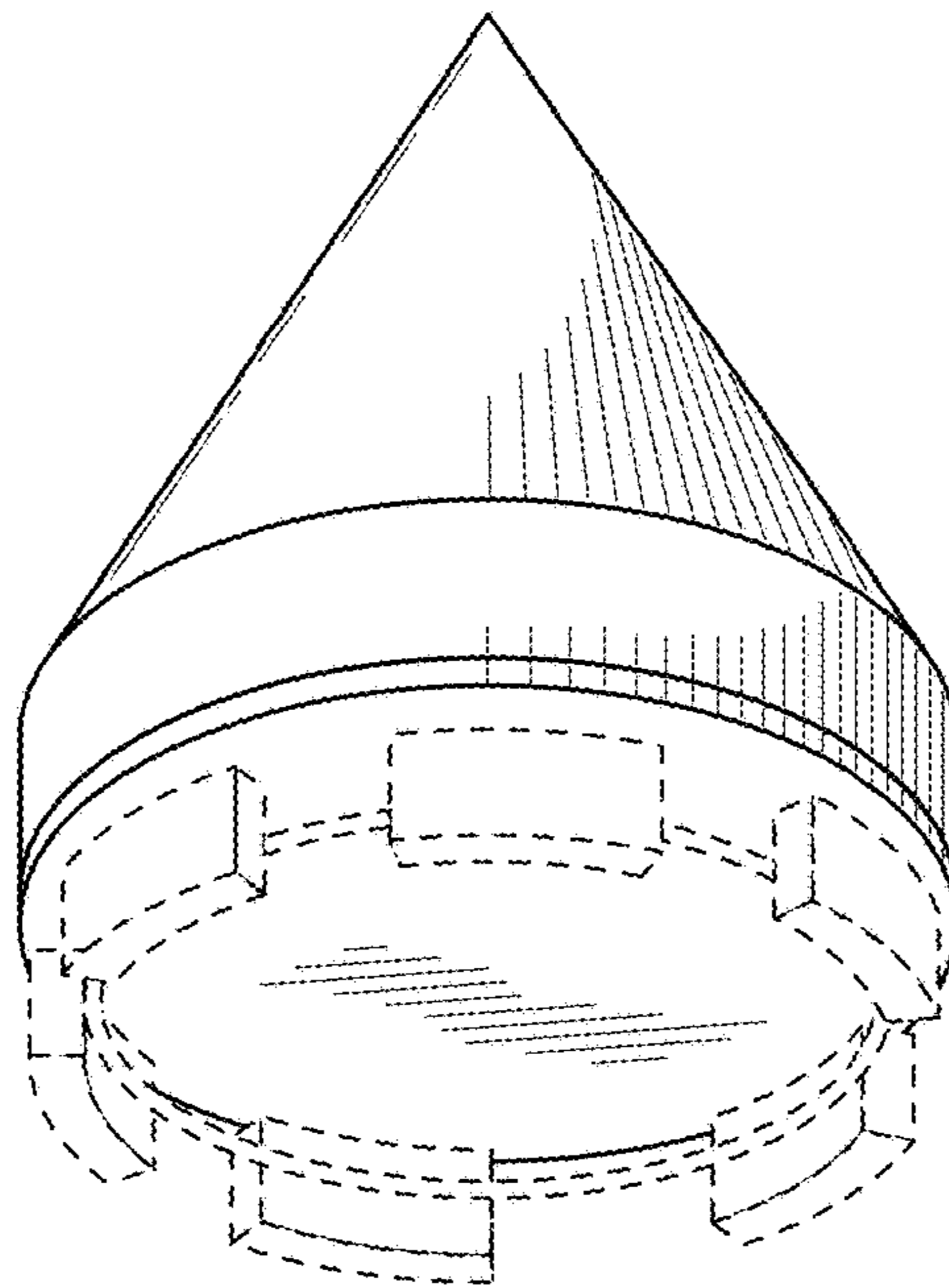


FIG. 6