



US00D785537S

(12) **United States Design Patent**
Valencia Pollex et al.

(10) **Patent No.:** **US D785,537 S**
(45) **Date of Patent:** **** May 2, 2017**

(54) **VEHICLE WHEEL RIM**

(71) Applicant: **AUDI AG**, Ingolstadt (DE)
(72) Inventors: **Andreas Valencia Pollex**, Ingolstadt (DE); **Tobias Drews**, Munich (DE)
(73) Assignee: **AUDI AG**, Ingolstadt (DE)
(**) Term: **15 Years**

(21) Appl. No.: **29/544,869**

(22) Filed: **Nov. 6, 2015**

(30) **Foreign Application Priority Data**

May 7, 2015 (EM) 002 696 336-0004

(51) **LOC (10) Cl.** **12-16**

(52) **U.S. Cl.**
USPC **D12/211**

(58) **Field of Classification Search**
USPC D12/204-213
CPC B60B 7/00; B60B 7/01; B60B 7/02; B60B 7/04; B60B 7/06; B60B 3/02; B60B 3/04; B60B 3/06; B60B 3/10; B60B 1/00; B60B 1/08; B60B 1/10; B60B 1/12

See application file for complete search history.

(56) **References Cited**

U.S. PATENT DOCUMENTS

D574,311 S *	8/2008	Chung	D12/209
D626,051 S *	10/2010	Fisker	D12/209
D644,589 S *	9/2011	Fisker	D12/211
D700,565 S *	3/2014	Gonzalez	D12/209
D729,138 S *	5/2015	Davidson	D12/209
D747,247 S *	1/2016	Juergens	D12/209
D747,248 S *	1/2016	Amezqueta	D12/209
D762,545 S *	8/2016	Hodges	D12/209

* cited by examiner

Primary Examiner — Sandra Snapp

Assistant Examiner — Katherine Glennon

(74) *Attorney, Agent, or Firm* — Lucas & Mercanti, LLP; Klaus P. Stoffel

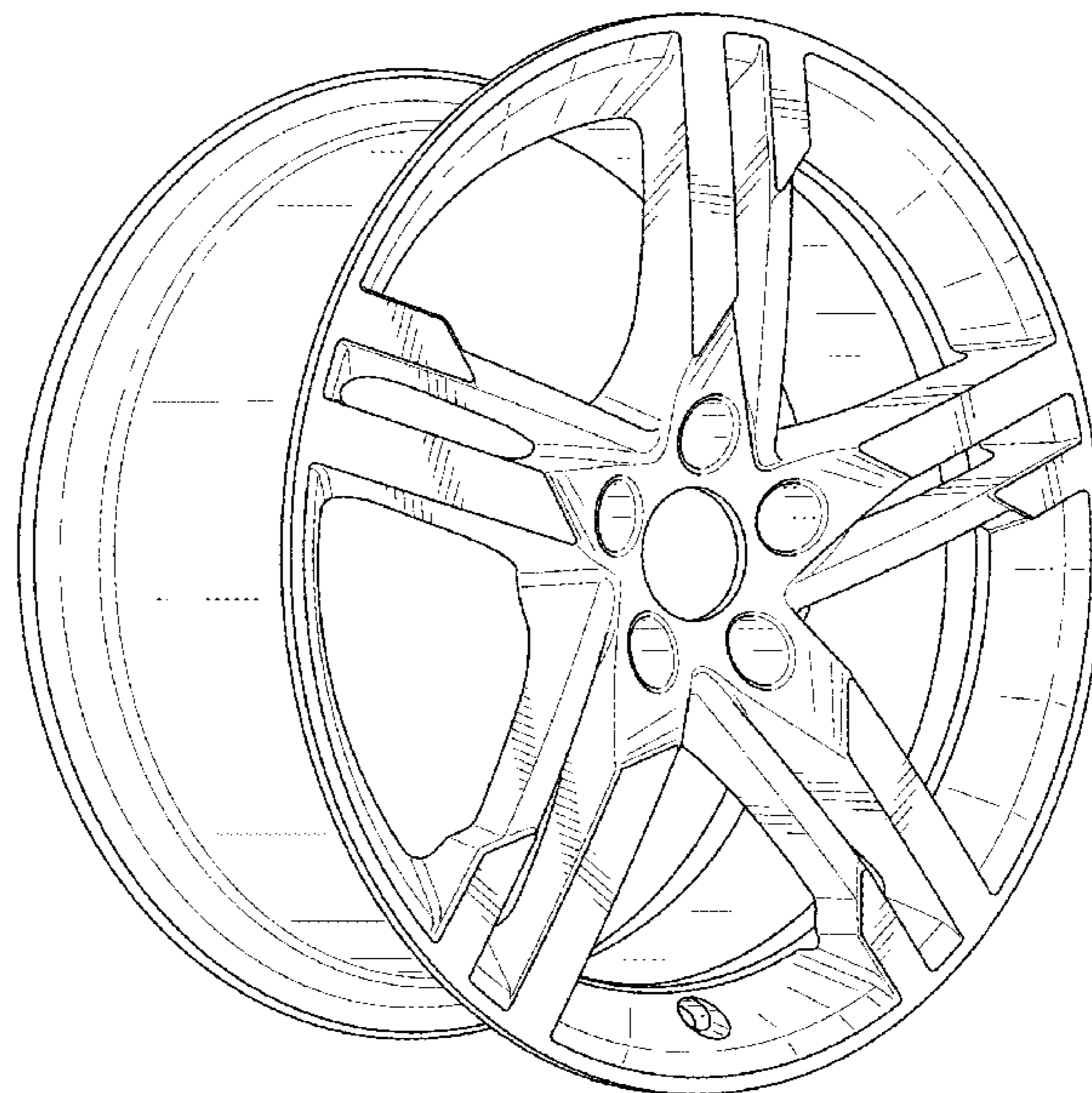
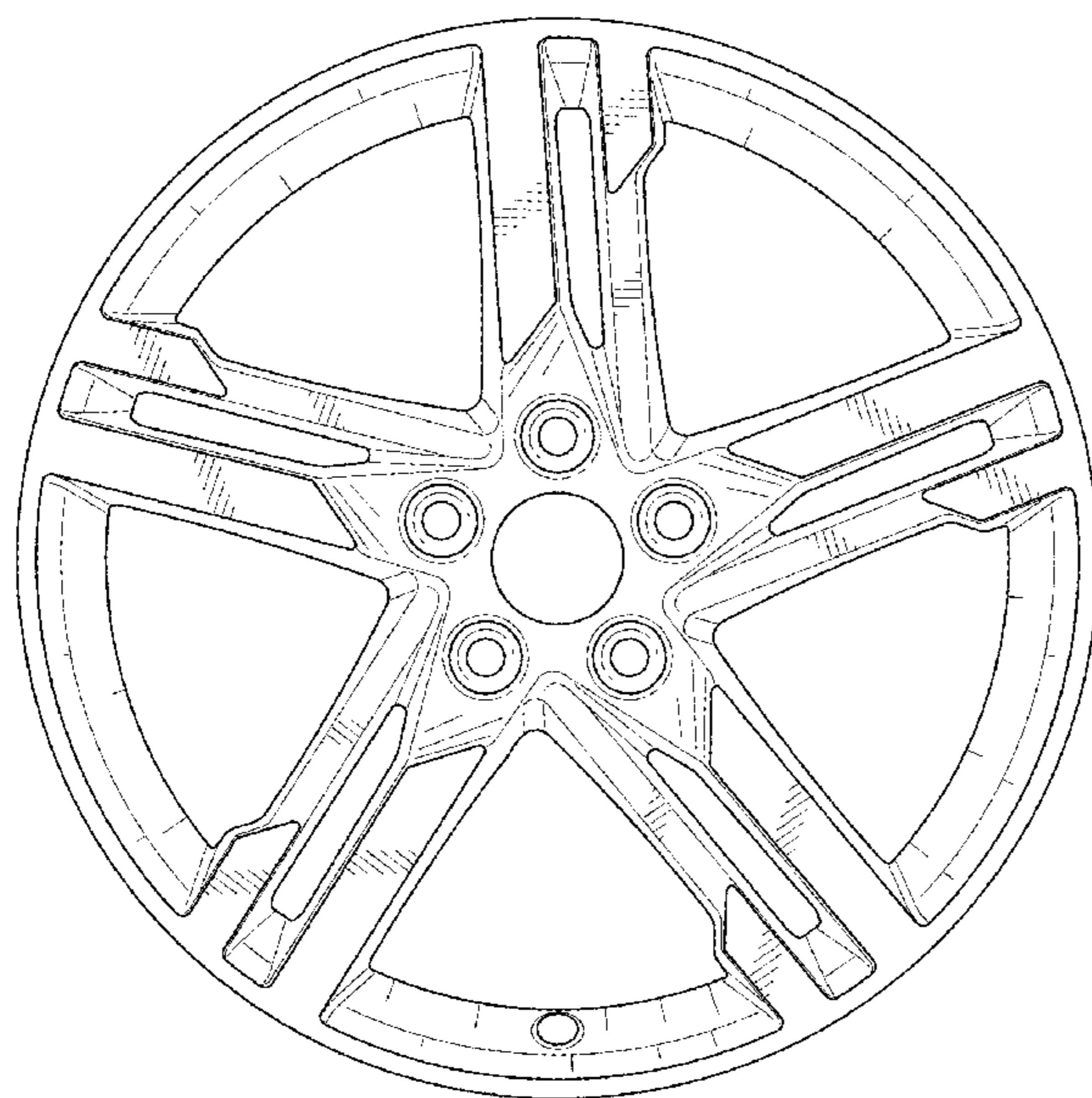
(57) **CLAIM**

The ornamental design for a vehicle wheel rim, as shown and described.

DESCRIPTION

FIG. 1 is a front view of the vehicle wheel rim of the present invention; and, FIG. 2 is a front, side perspective view thereof.

1 Claim, 2 Drawing Sheets



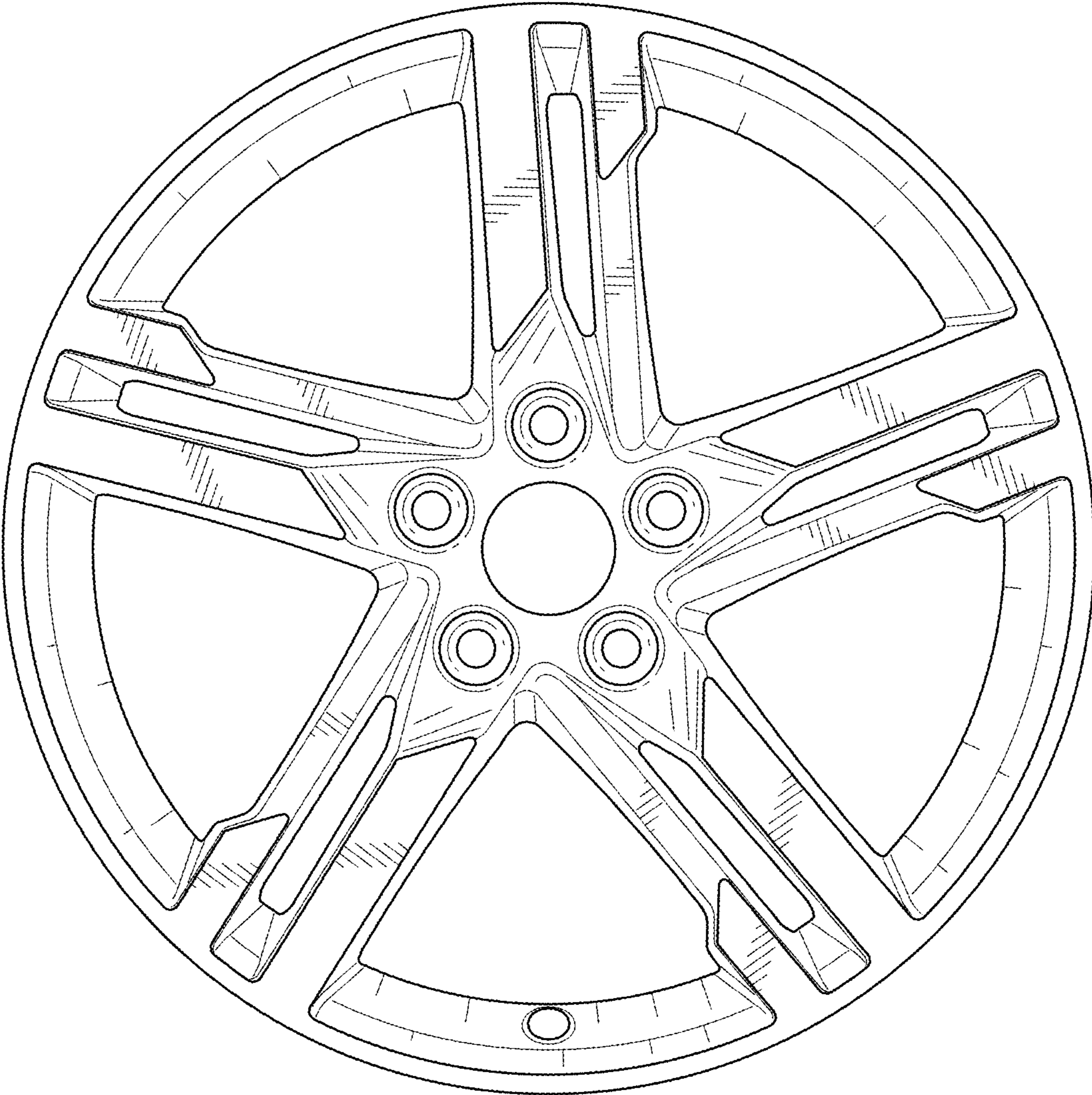


FIG. 1

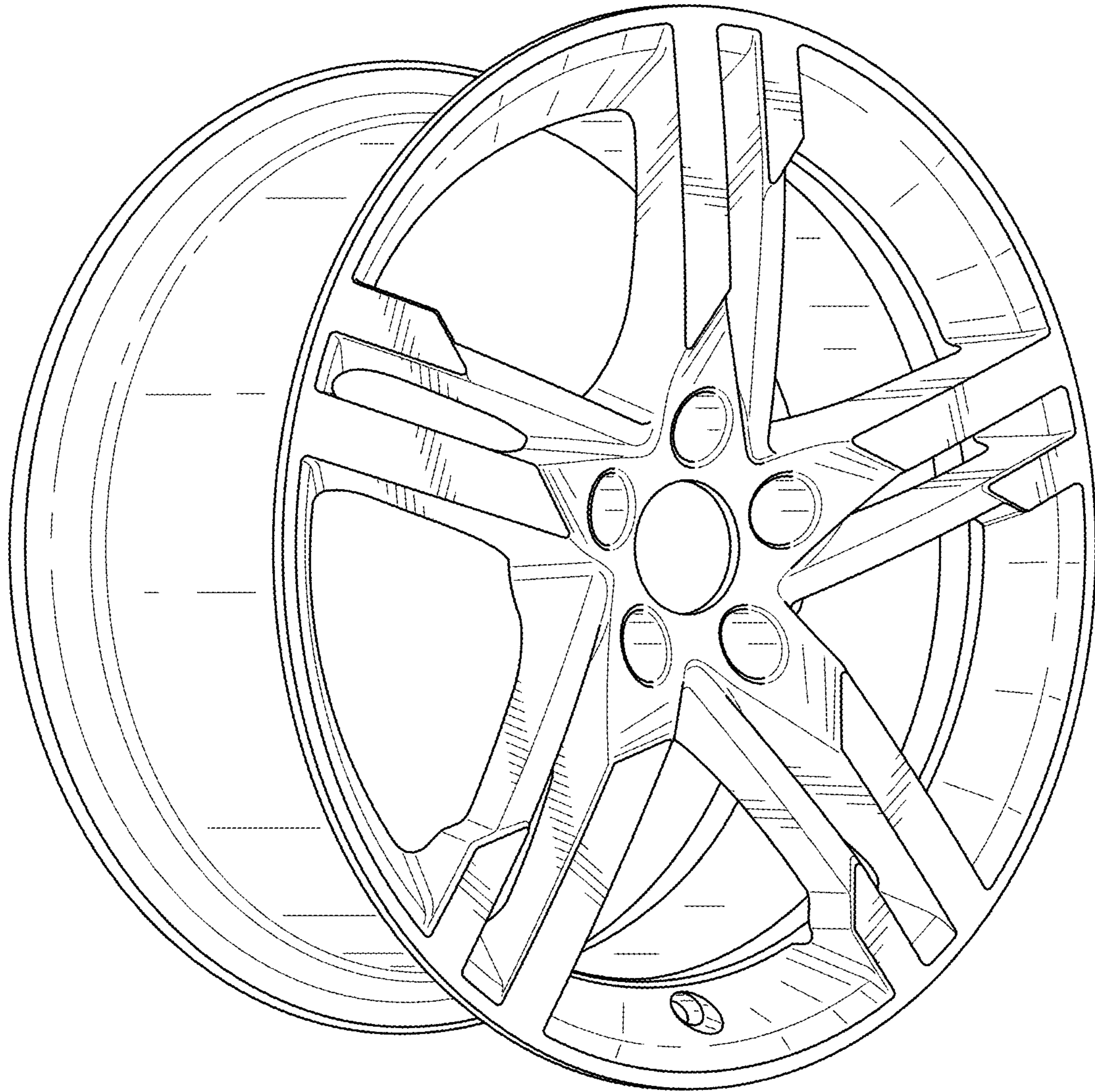


FIG. 2