



US00D785536S

(12) **United States Design Patent**  
**Liffick**

(10) **Patent No.:** **US D785,536 S**

(45) **Date of Patent:** **\*\* May 2, 2017**

(54) **VEHICLE WHEEL**

(71) Applicant: **Quarsa, LLC**, Chino, CA (US)

(72) Inventor: **Fenton Liffick**, Anaheim Hills, CA (US)

(73) Assignee: **QUARSA, LLC**, Chino, CA (US)

(\*\*) Term: **15 Years**

(21) Appl. No.: **29/541,653**

(22) Filed: **Oct. 6, 2015**

(51) **LOC (10) Cl.** ..... **12-16**

(52) **U.S. Cl.**  
USPC ..... **D12/211**

(58) **Field of Classification Search**  
USPC ..... D12/204–213  
CPC .... B60B 7/00; B60B 7/01; B60B 7/02; B60B 7/04; B60B 7/06; B60B 3/02; B60B 3/04; B60B 3/06; B60B 3/10; B60B 1/00; B60B 1/08; B60B 1/10; B60B 1/12  
See application file for complete search history.

(56) **References Cited**

**U.S. PATENT DOCUMENTS**

D448,712 S	*	10/2001	Laengerer	.....	D12/209
D459,690 S	*	7/2002	Bintoro	.....	D12/211
D466,852 S	*	12/2002	Pfeiffer	.....	D12/211
D473,837 S	*	4/2003	Vian	.....	D12/211
D492,236 S	*	6/2004	Brown	.....	D12/211

D509,783 S	*	9/2005	Fitzgerald	.....	D12/211
D535,932 S	*	1/2007	Lorinser	.....	D12/209
D651,960 S	*	1/2012	Sahara	.....	D12/209
D675,973 S	*	2/2013	Lee	.....	D12/211
D714,705 S	*	10/2014	Kong	.....	D12/211
D723,994 S	*	3/2015	Chung	.....	D12/211
D726,624 S	*	4/2015	Chung	.....	D12/211
D727,829 S	*	4/2015	Chung	.....	D12/211
D742,799 S	*	11/2015	Zhao	.....	D12/211
D753,046 S	*	4/2016	Liffick	.....	D12/209

\* cited by examiner

*Primary Examiner* — Sandra Snapp

*Assistant Examiner* — Katherine Glennon

(74) *Attorney, Agent, or Firm* — Snell & Wilmer L.L.P.

(57) **CLAIM**

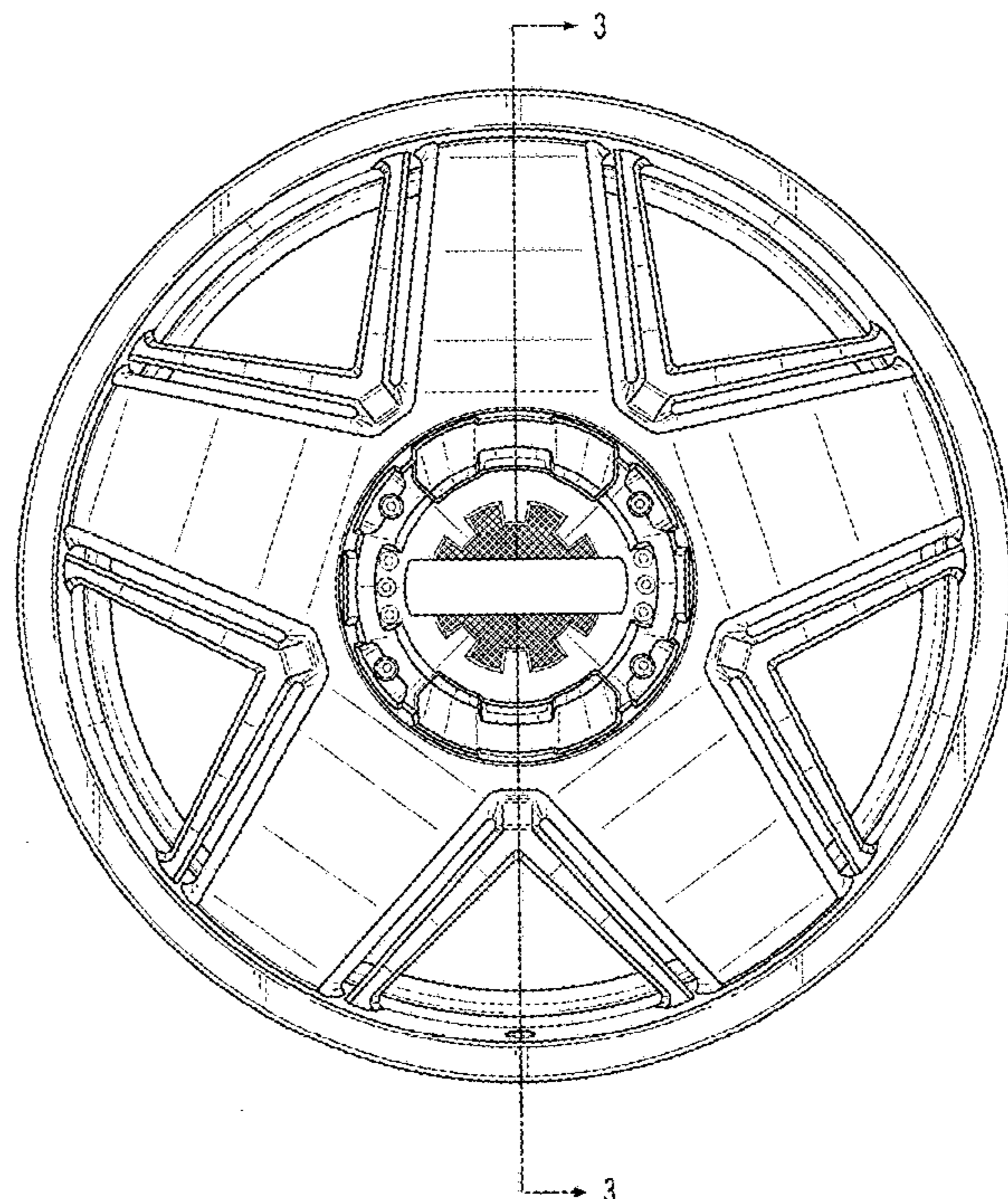
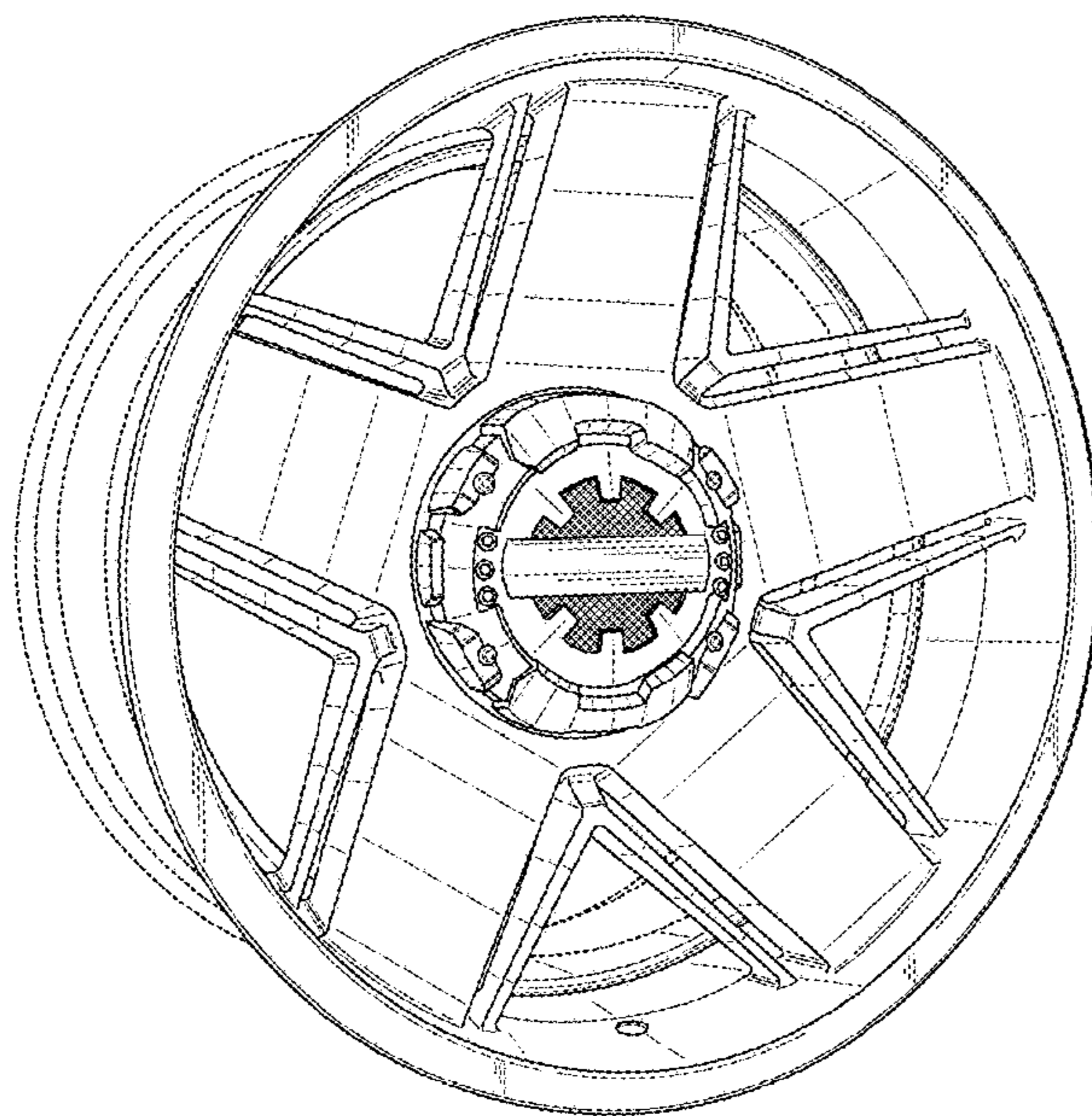
I claim the ornamental design for a vehicle wheel, as shown and described.

**DESCRIPTION**

FIG. 1 is a perspective view of the vehicle wheel showing my new design; FIG. 2 is a front view of the vehicle wheel; and, FIG. 3 is a cross-sectional view taken along the line 3-3 of FIG. 2.

The broken lines showing the rear portion of the vehicle wheel are included for the purpose of illustrating environment and form no part of the claimed design.

**1 Claim, 3 Drawing Sheets**



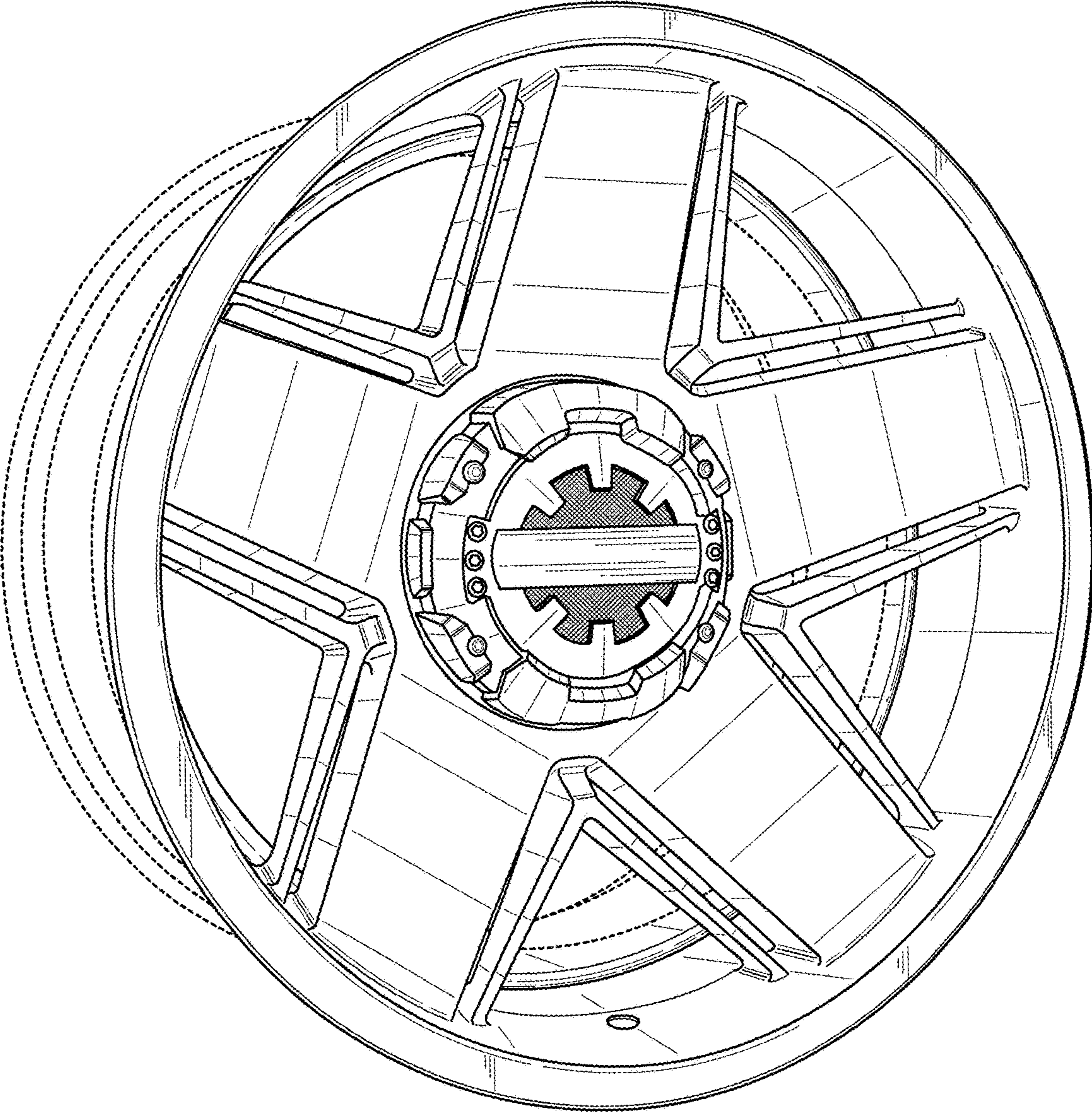


FIG. 1

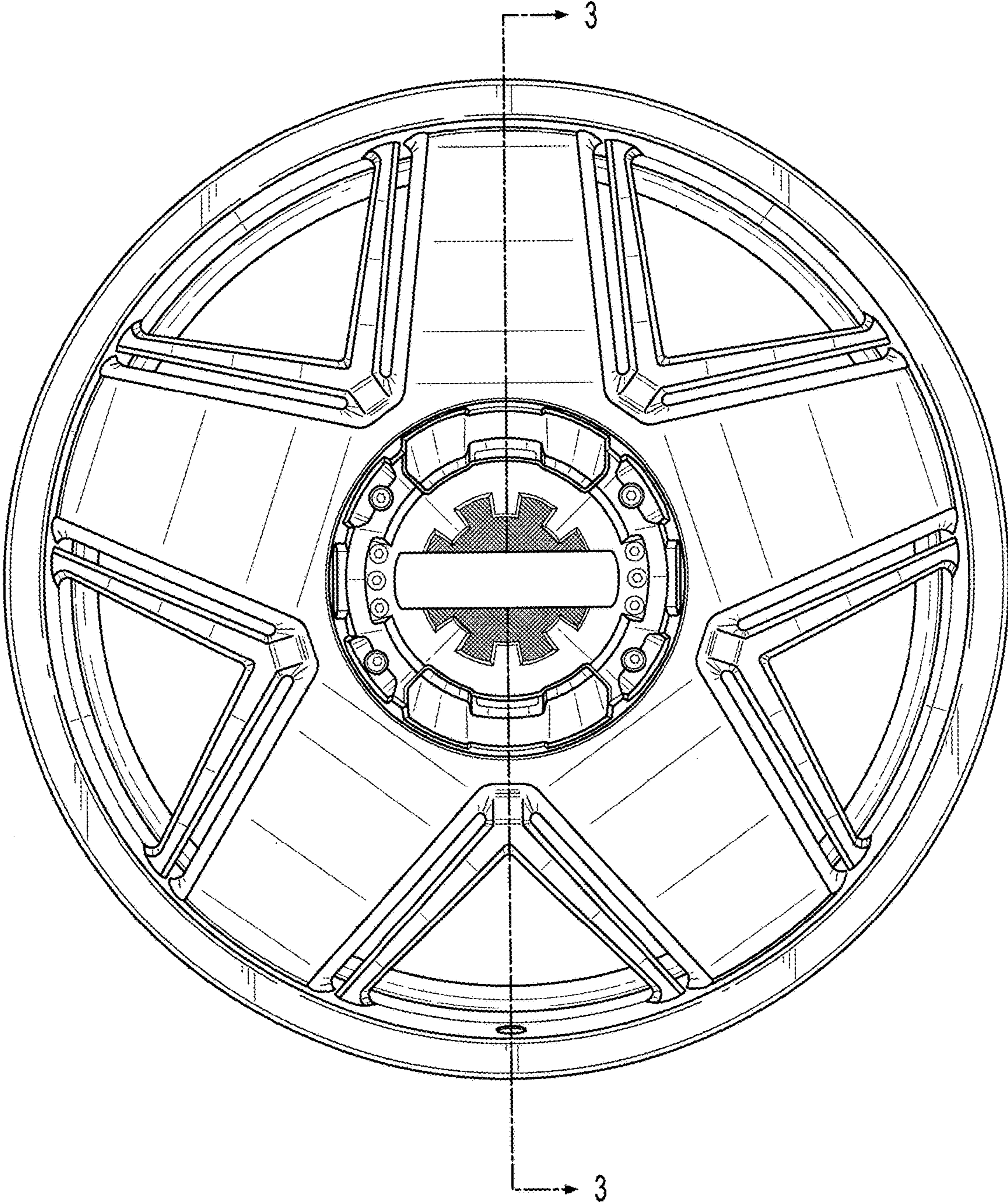


FIG. 2

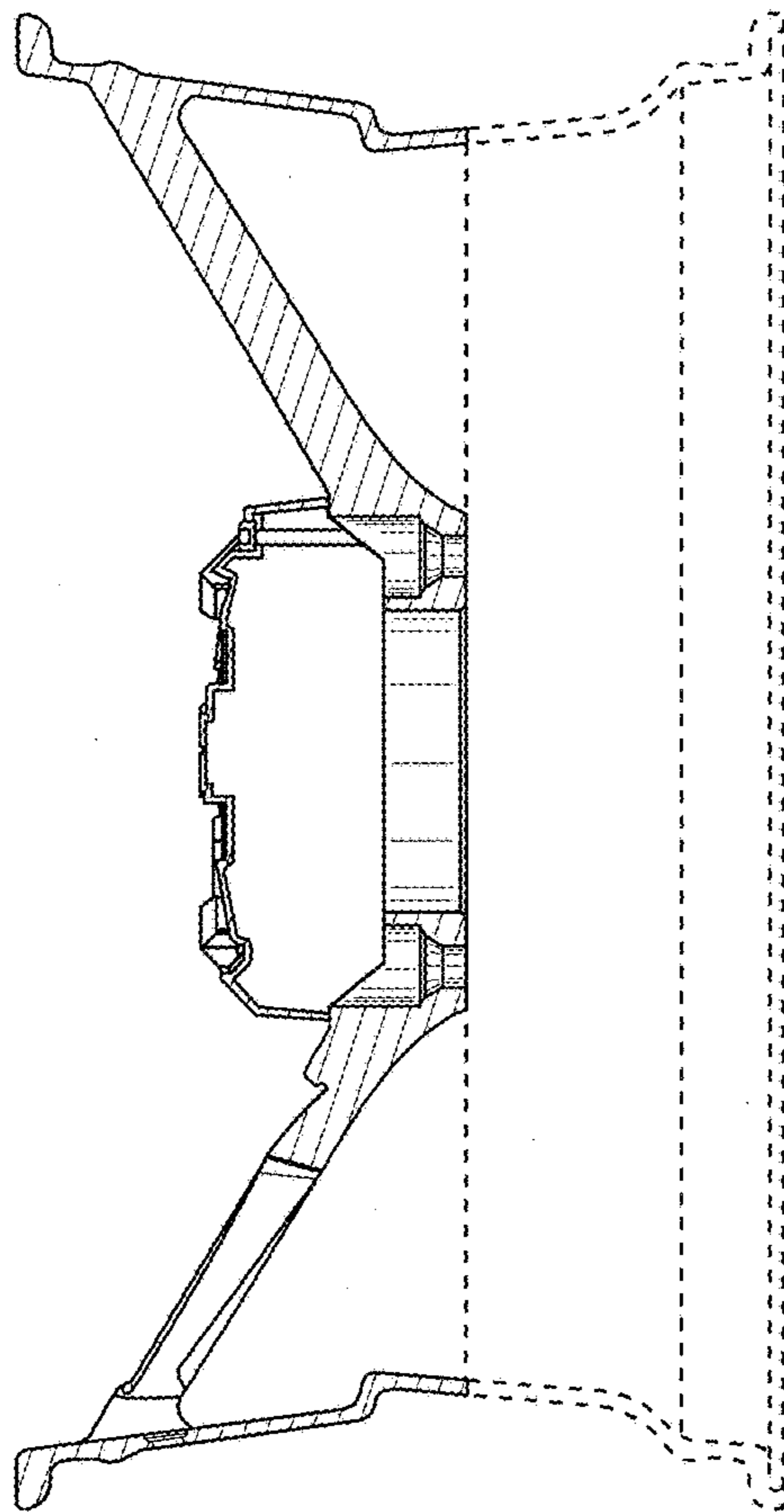


FIG. 3