



US00D785534S

(12) **United States Design Patent**  
**Giolito**

(10) **Patent No.:** **US D785,534 S**

(45) **Date of Patent:** **\*\* May 2, 2017**

(54) **WHEEL**

(71) Applicant: **FCA Italy S.p.A.**, Turin (IT)

(72) Inventor: **Roberto Giolito**, Turin (IT)

(73) Assignee: **FCA ITALY S.p.A.**, Turin (IT)

(\*\*) Term: **15 Years**

(21) Appl. No.: **29/544,876**

(22) Filed: **Nov. 6, 2015**

(30) **Foreign Application Priority Data**

May 21, 2015 (EM) ..... 002704932

(51) **LOC (10) Cl.** ..... **12-16**

(52) **U.S. Cl.**  
USPC ..... **D12/209**

(58) **Field of Classification Search**  
USPC ..... D12/204–213  
CPC .... B60B 7/00; B60B 7/02; B60B 7/04; B60B 7/01; B60B 7/06; B60B 3/02; B60B 3/04; B60B 3/06; B60B 3/10; B60B 1/00; B60B 1/08; B60B 1/10; B60B 1/12  
See application file for complete search history.

(56) **References Cited**

**U.S. PATENT DOCUMENTS**

D412,480 S \* 8/1999 Hussaini ..... D12/209  
D427,558 S \* 7/2000 Neeper ..... D12/211  
D471,502 S \* 3/2003 McMath ..... D12/209

D479,174 S \* 9/2003 McMath ..... D12/209  
D496,621 S \* 9/2004 McMath ..... D12/209  
D500,723 S \* 1/2005 Alimchandani ..... D12/209  
D528,493 S \* 9/2006 Stacy ..... D12/209  
D533,495 S \* 12/2006 Arora ..... D12/209  
D560,585 S \* 1/2008 Blasi ..... D12/209  
D592,579 S \* 5/2009 Tirado ..... D12/209  
D612,788 S \* 3/2010 Junker ..... D12/209  
D624,861 S \* 10/2010 Zhao ..... D12/209  
D627,699 S \* 11/2010 George ..... D12/209  
D680,935 S \* 4/2013 Claunch ..... D12/209  
D755,698 S \* 5/2016 Tirado ..... D12/209  
D756,876 S \* 5/2016 Rueckheim ..... D12/209

\* cited by examiner

*Primary Examiner* — Stacia Cadmus

(74) *Attorney, Agent, or Firm* — Cowan, Liebowitz & Latman, P.C.

(57) **CLAIM**

The ornamental design for a wheel, as shown and described.

**DESCRIPTION**

FIG. 1 is a perspective view of the wheel showing my design thereof;

FIG. 2 is a front view thereof;

FIG. 3 is rear view thereof;

FIG. 4 is a right side view thereof;

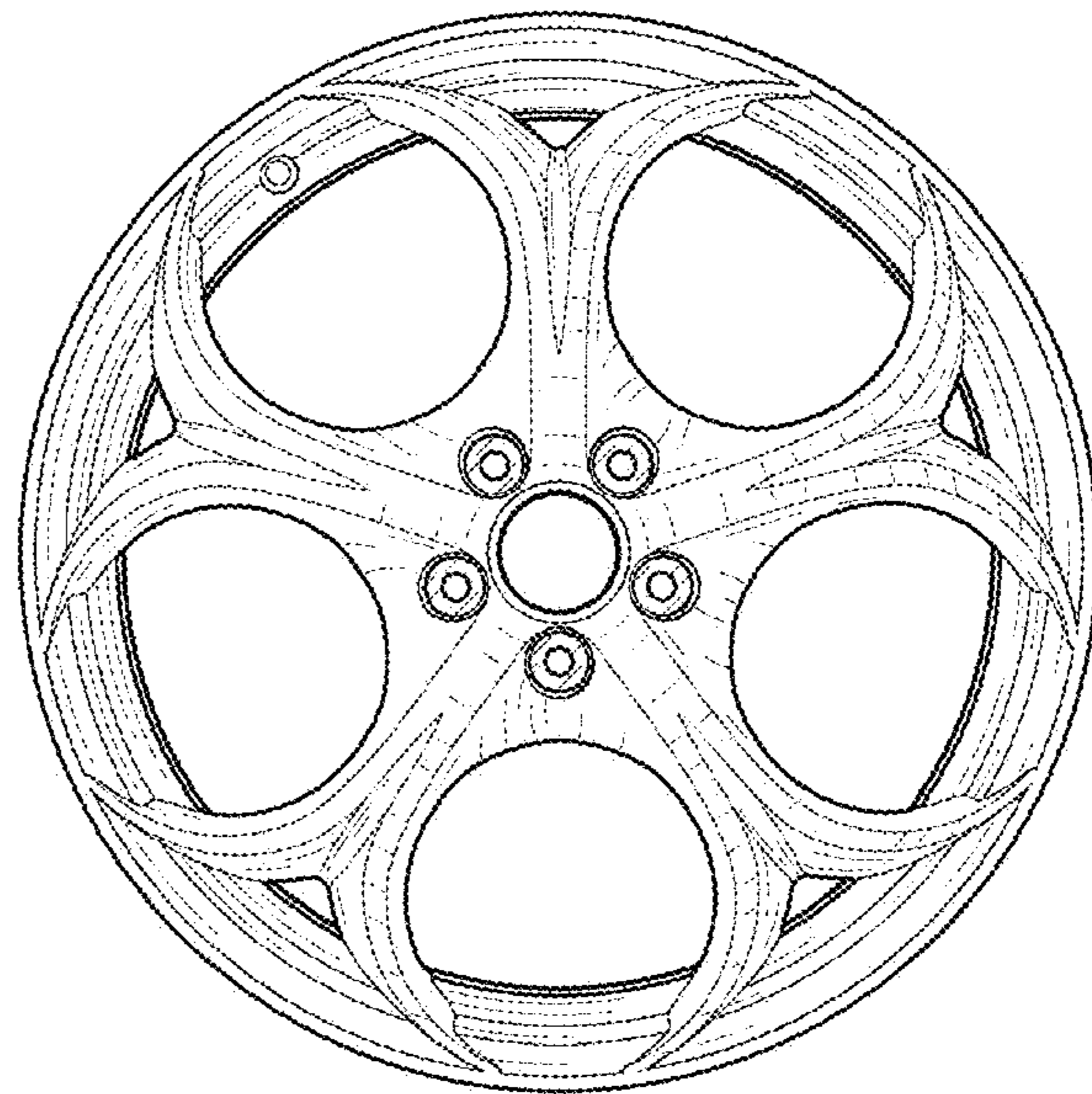
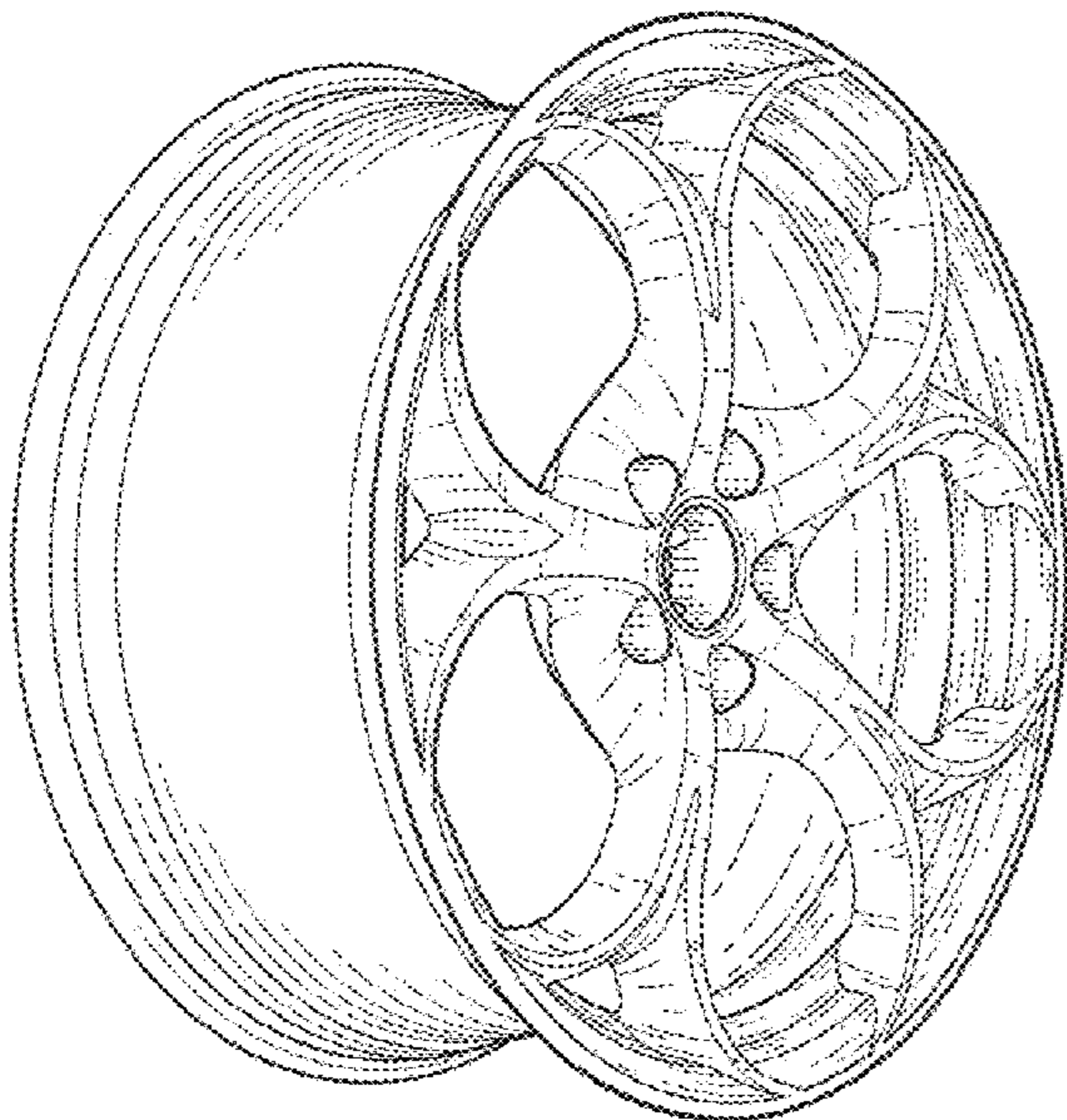
FIG. 5 is a left side view thereof;

FIG. 6 is a top view thereof; and,

FIG. 7 is a bottom view thereof.

In the drawings, the broken lines depict environmental subject matter only and form no part of the claimed design.

**1 Claim, 7 Drawing Sheets**





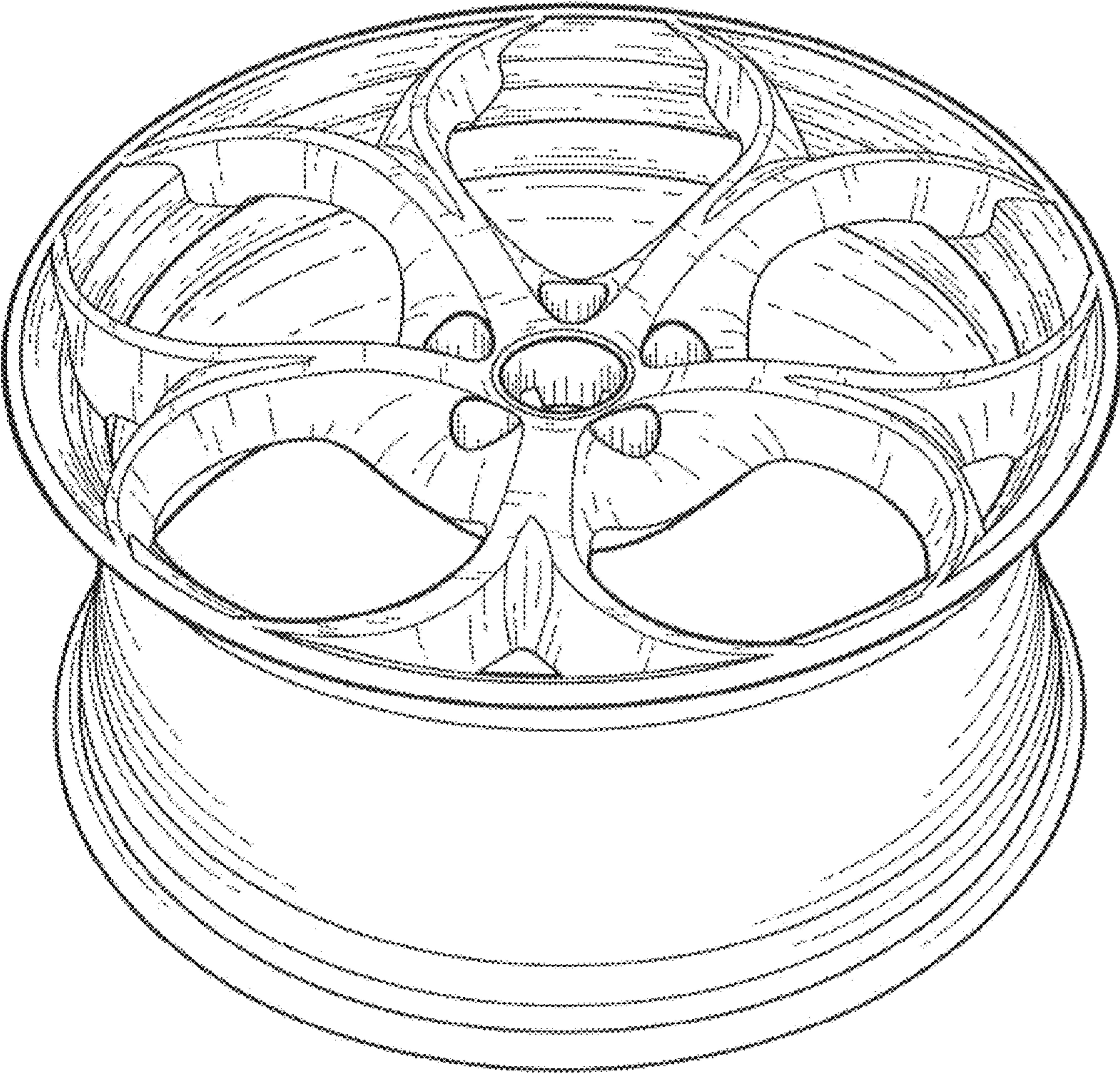


Fig. 1

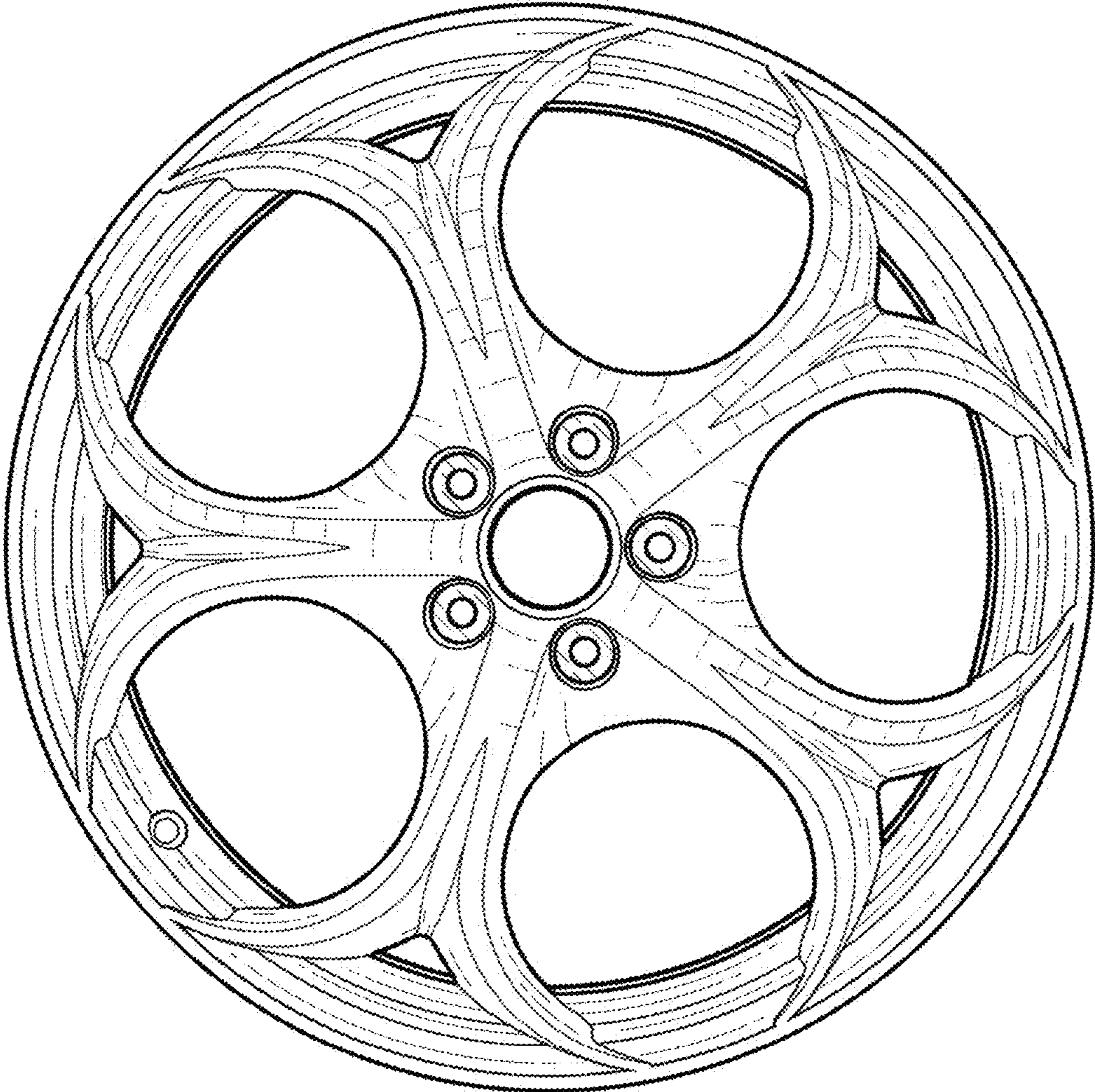


Fig. 2



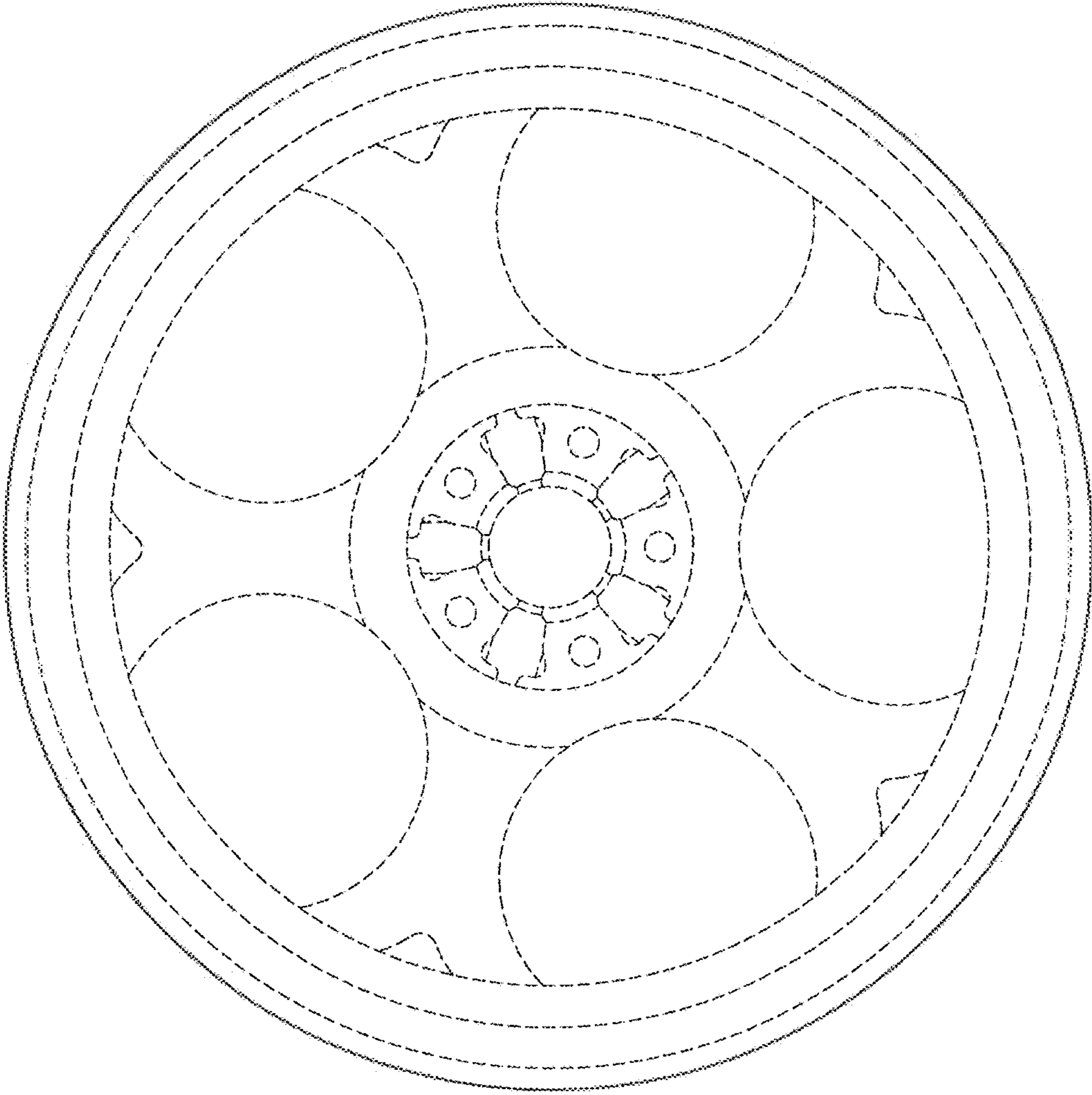


Fig. 3

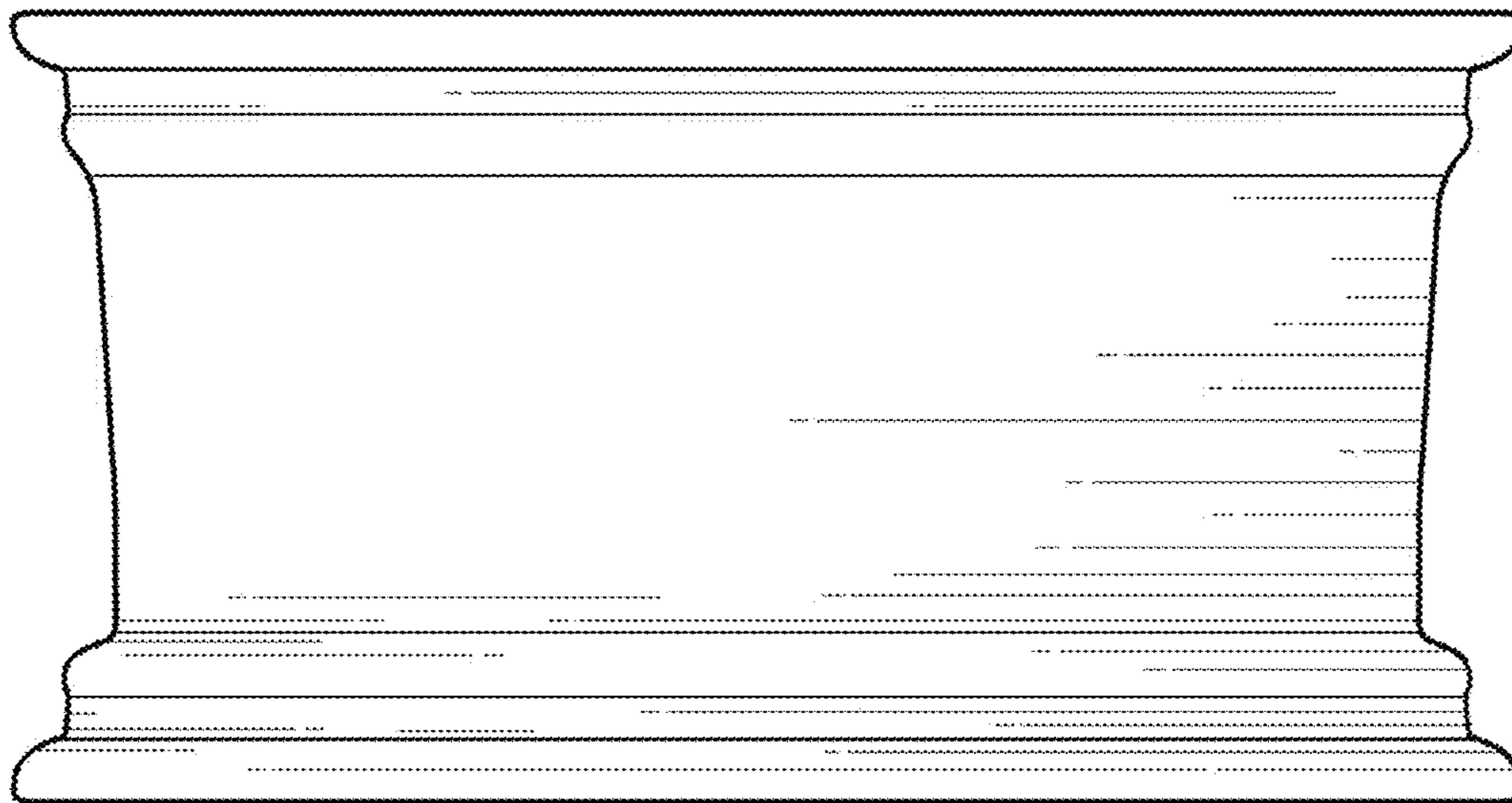


Fig. 4

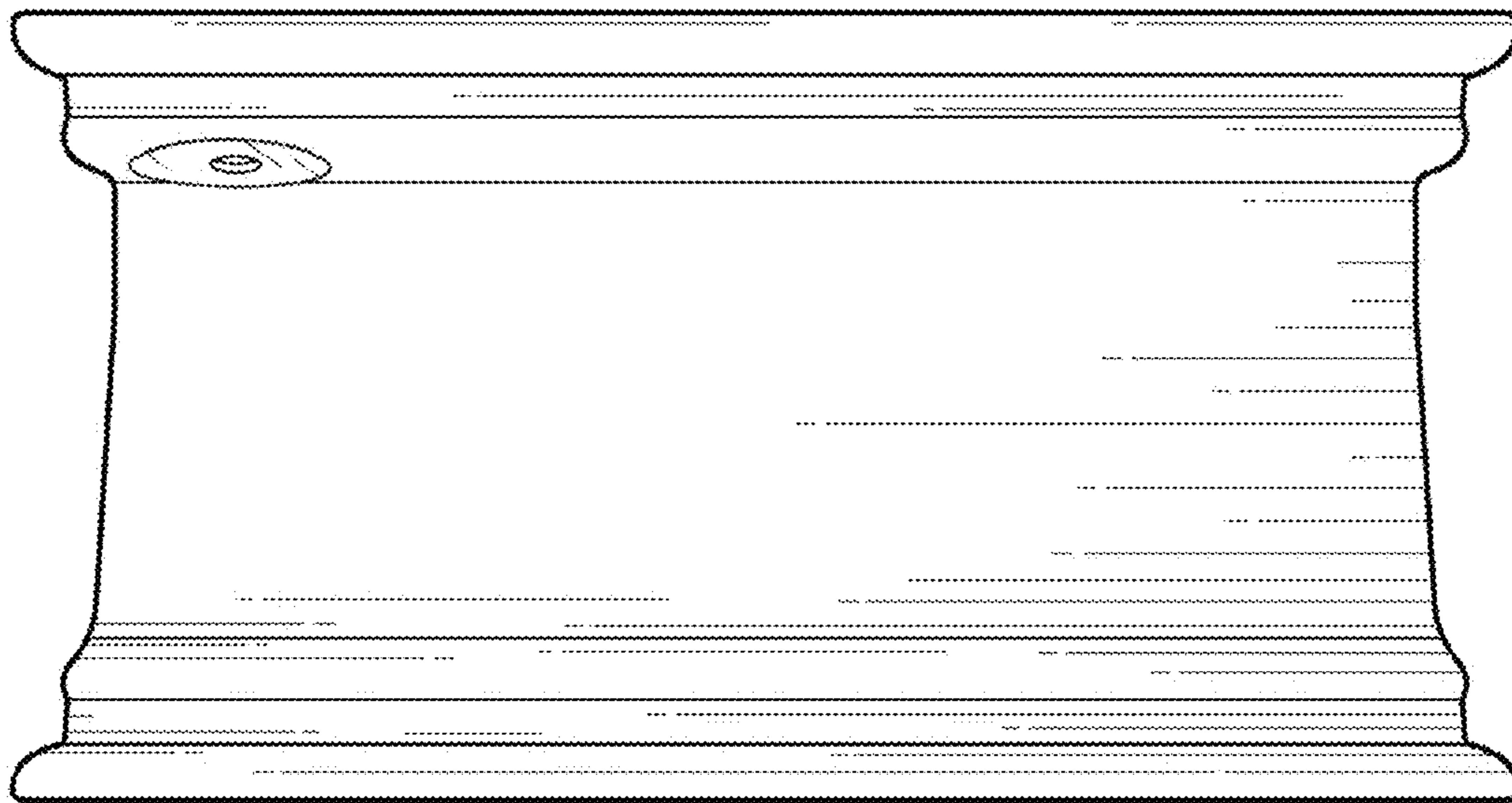


Fig. 5

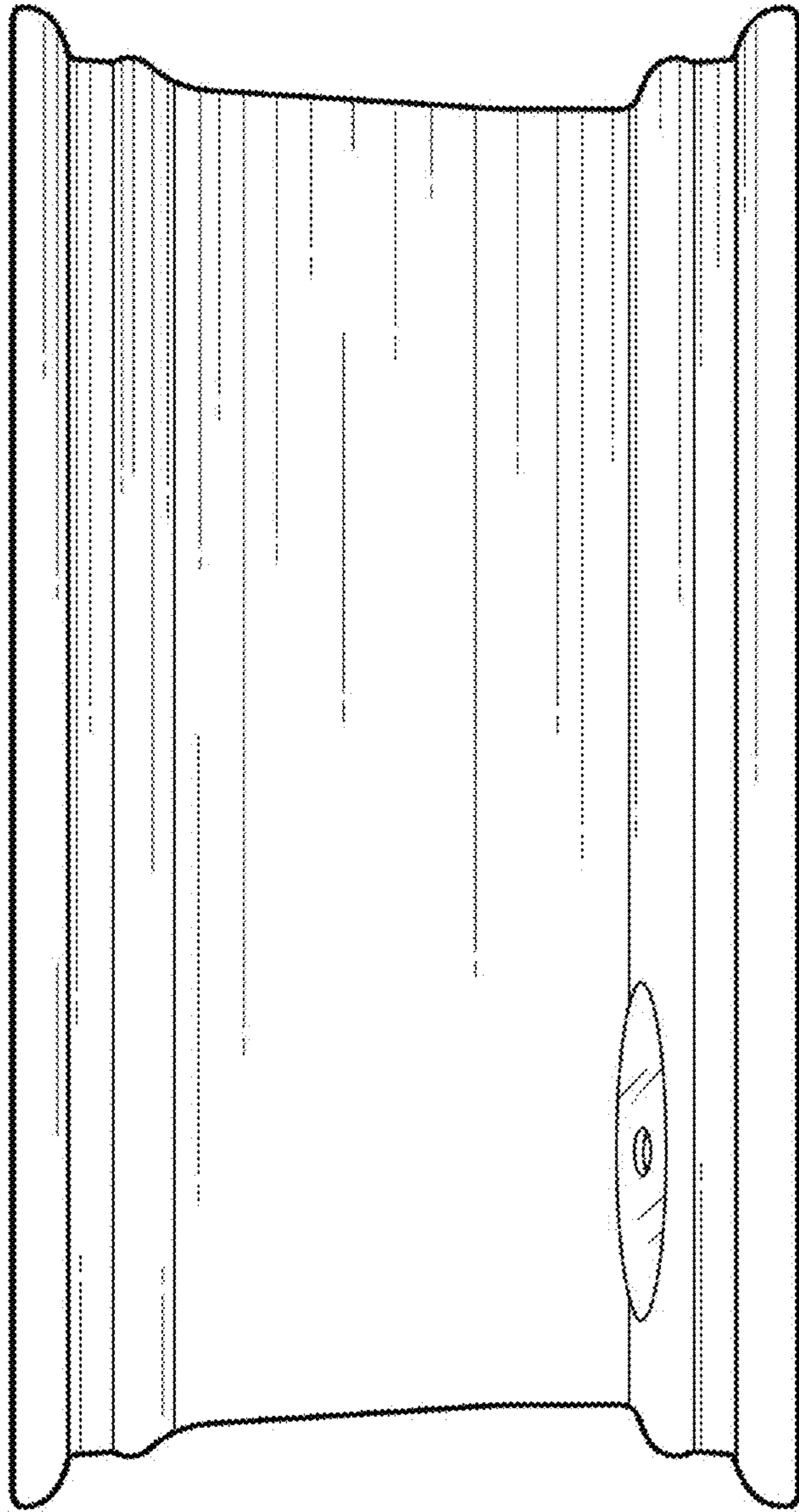


Fig. 6

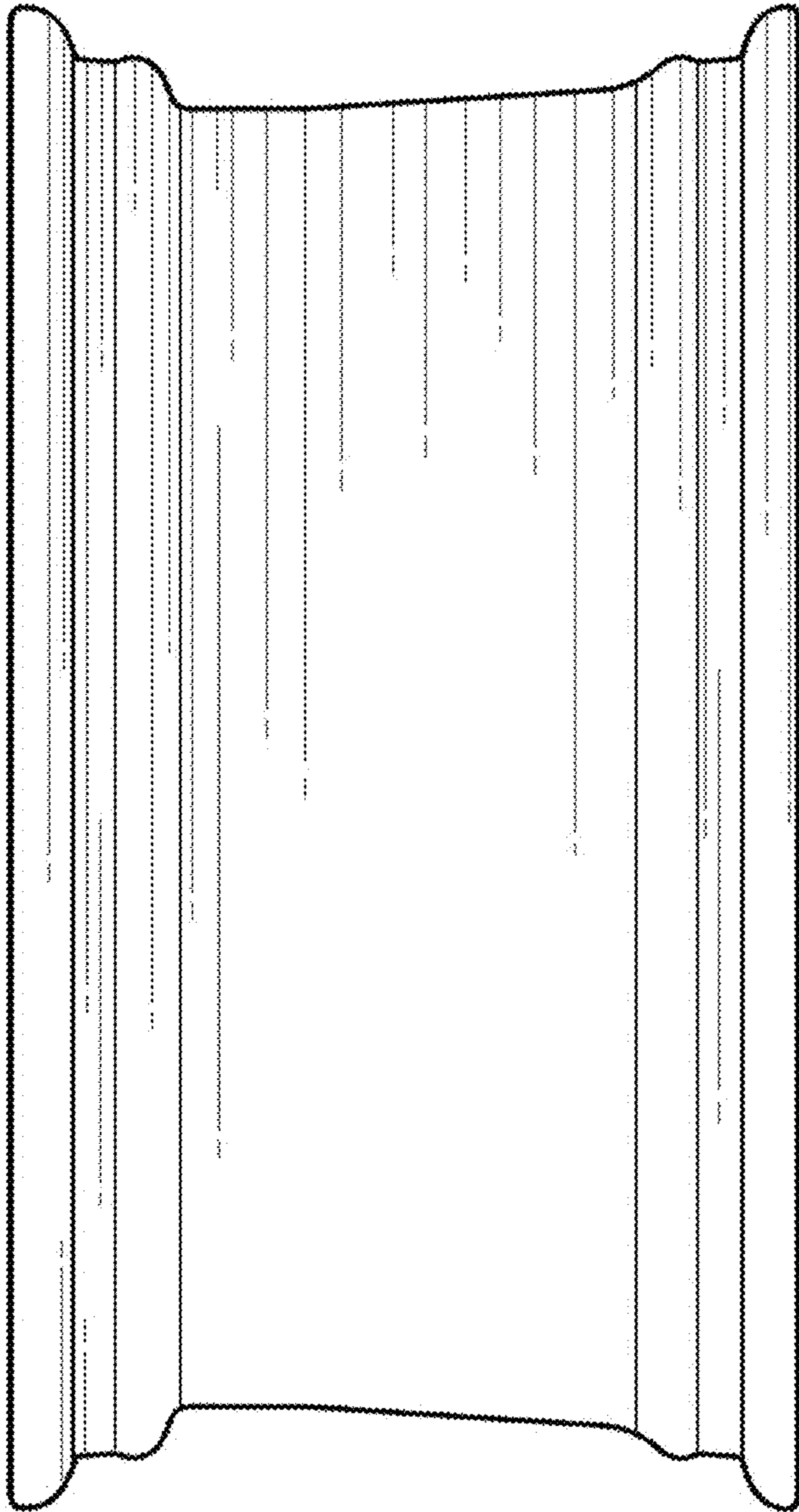


Fig. 7