



US00D785533S

(12) **United States Design Patent**
Pires

(10) **Patent No.:** **US D785,533 S**

(45) **Date of Patent:** **** May 2, 2017**

(54) **VEHICLE WHEEL RIM**

(71) Applicant: **AUDI AG**, Ingolstadt (DE)

(72) Inventor: **Raul Pires**, Munich (DE)

(73) Assignee: **AUDI AG**, Ingolstadt (DE)

(**) Term: **14 Years**

(21) Appl. No.: **29/522,622**

(22) Filed: **Apr. 1, 2015**

(30) **Foreign Application Priority Data**

Oct. 2, 2014 (EM) 002549626-0002

(51) **LOC (10) Cl.** **12-16**

(52) **U.S. Cl.**
USPC **D12/209**

(58) **Field of Classification Search**
USPC D12/204–213
CPC B60B 7/00; B60B 7/02; B60B 7/04; B60B
7/01; B60B 7/06; B60B 3/02; B60B 3/04;
B60B 3/06; B60B 3/10; B60B 1/00;
B60B 1/08; B60B 1/10; B60B 1/12
See application file for complete search history.

(56) **References Cited**

U.S. PATENT DOCUMENTS

D477,556 S	*	7/2003	Koch	D12/211
D525,184 S	*	7/2006	Huet	D12/211
D617,249 S	*	6/2010	Juergens	D12/211
D635,077 S	*	3/2011	Nordmann	D12/209
D639,225 S	*	6/2011	Forschner	D12/211

D639,226 S	*	6/2011	Juergens	D12/211
D639,715 S	*	6/2011	Furst	D12/209
D671,060 S	*	11/2012	Baum	D12/209
D671,479 S	*	11/2012	Gonser	D12/209
D684,913 S	*	6/2013	Chen	D12/209
D686,965 S	*	7/2013	Pollmann	D12/211
D700,565 S	*	3/2014	Gonzalez	D12/209
D707,165 S	*	6/2014	Wheel	D12/209
D727,822 S	*	4/2015	Wheel	D12/209
D734,233 S	*	7/2015	Wheel	D12/209
D739,327 S	*	9/2015	Wagener	D12/209
D740,734 S	*	10/2015	Wheel	D12/209
D745,842 S	*	12/2015	Wheel	D12/209

FOREIGN PATENT DOCUMENTS

JP 1379776 S 2/2010

* cited by examiner

Primary Examiner — Stacia Cadmus

(74) *Attorney, Agent, or Firm* — Lucas & Mercanti, LLP;
Klaus P. Stoffel

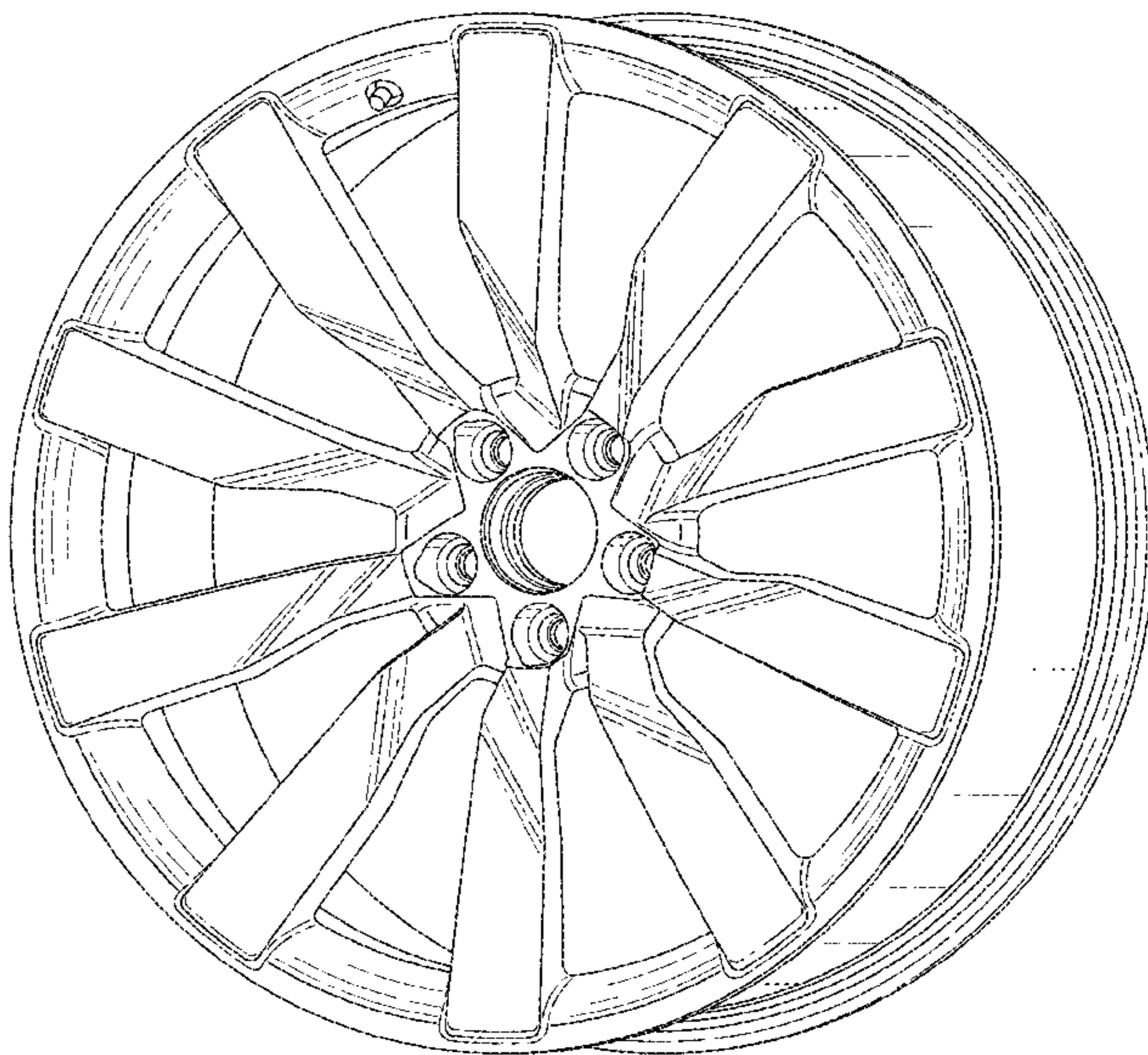
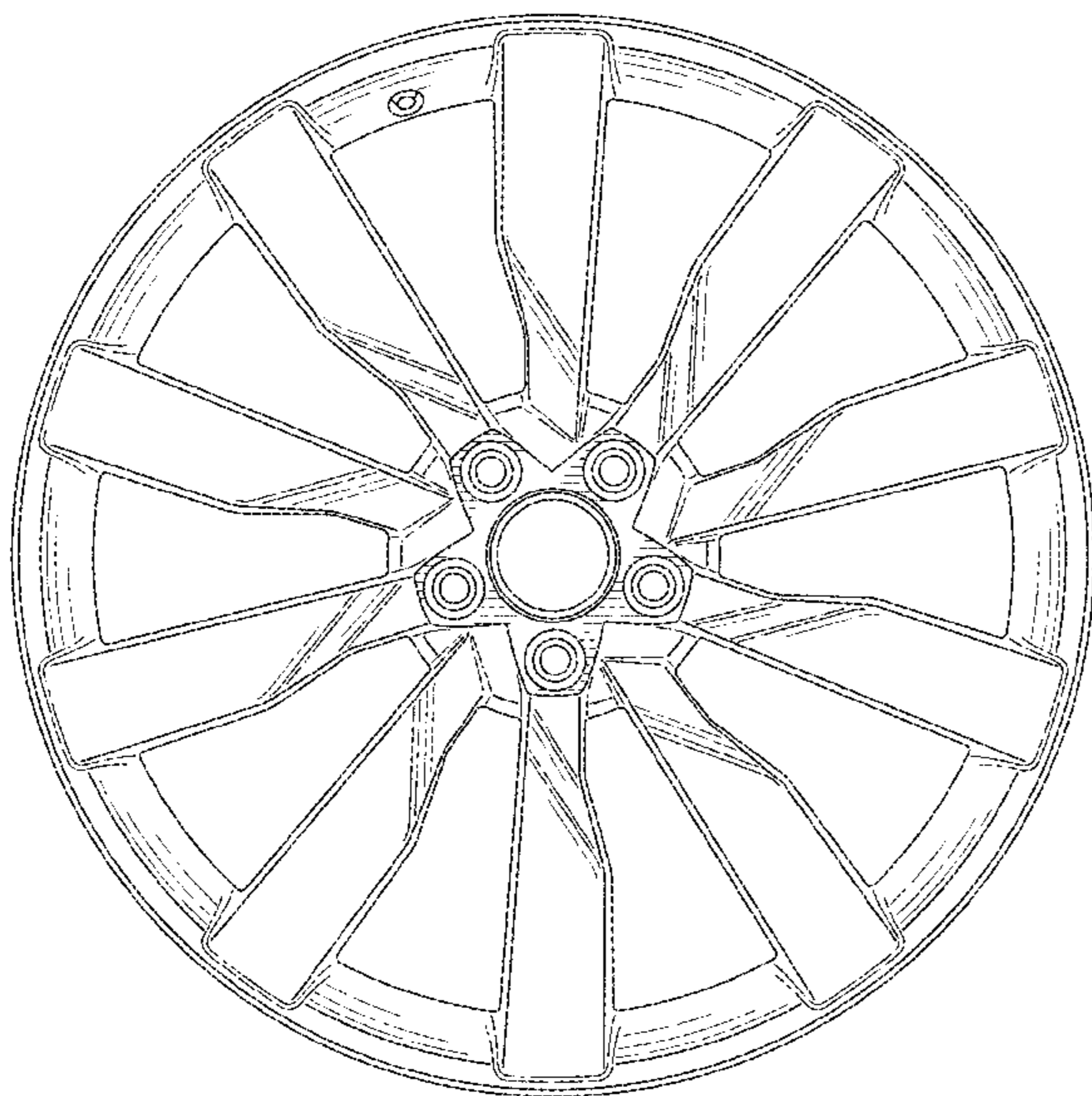
(57) **CLAIM**

The ornamental design for a vehicle wheel rim, as shown and described.

DESCRIPTION

FIG. 1 is a front view of the vehicle wheel rim of the present invention;
FIG. 2 is a front, side perspective view thereof;
FIG. 3 is a front view of a second embodiment of the vehicle wheel rim; and,
FIG. 4 is a front, side perspective view thereof.

1 Claim, 4 Drawing Sheets



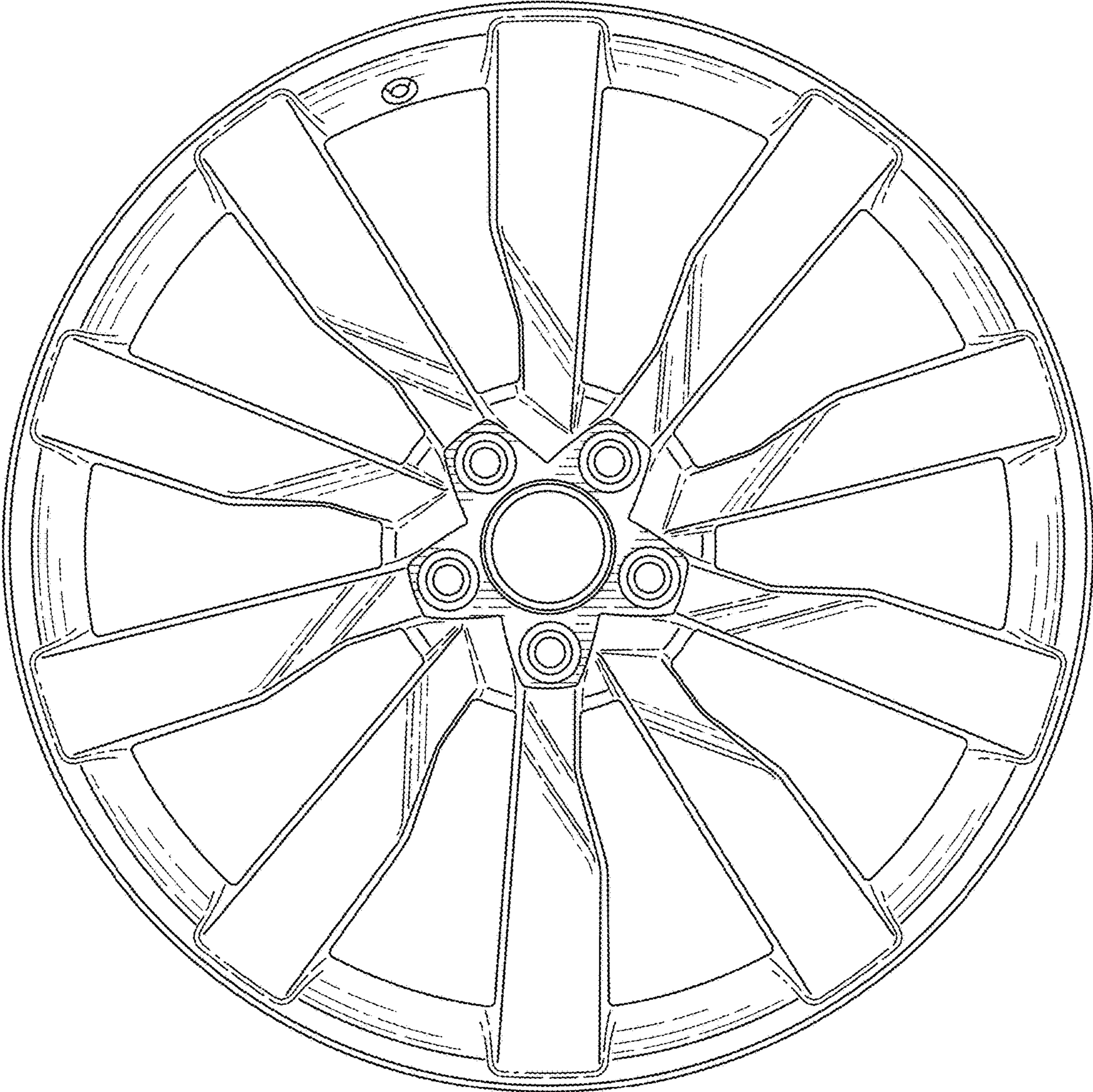


FIG. 1

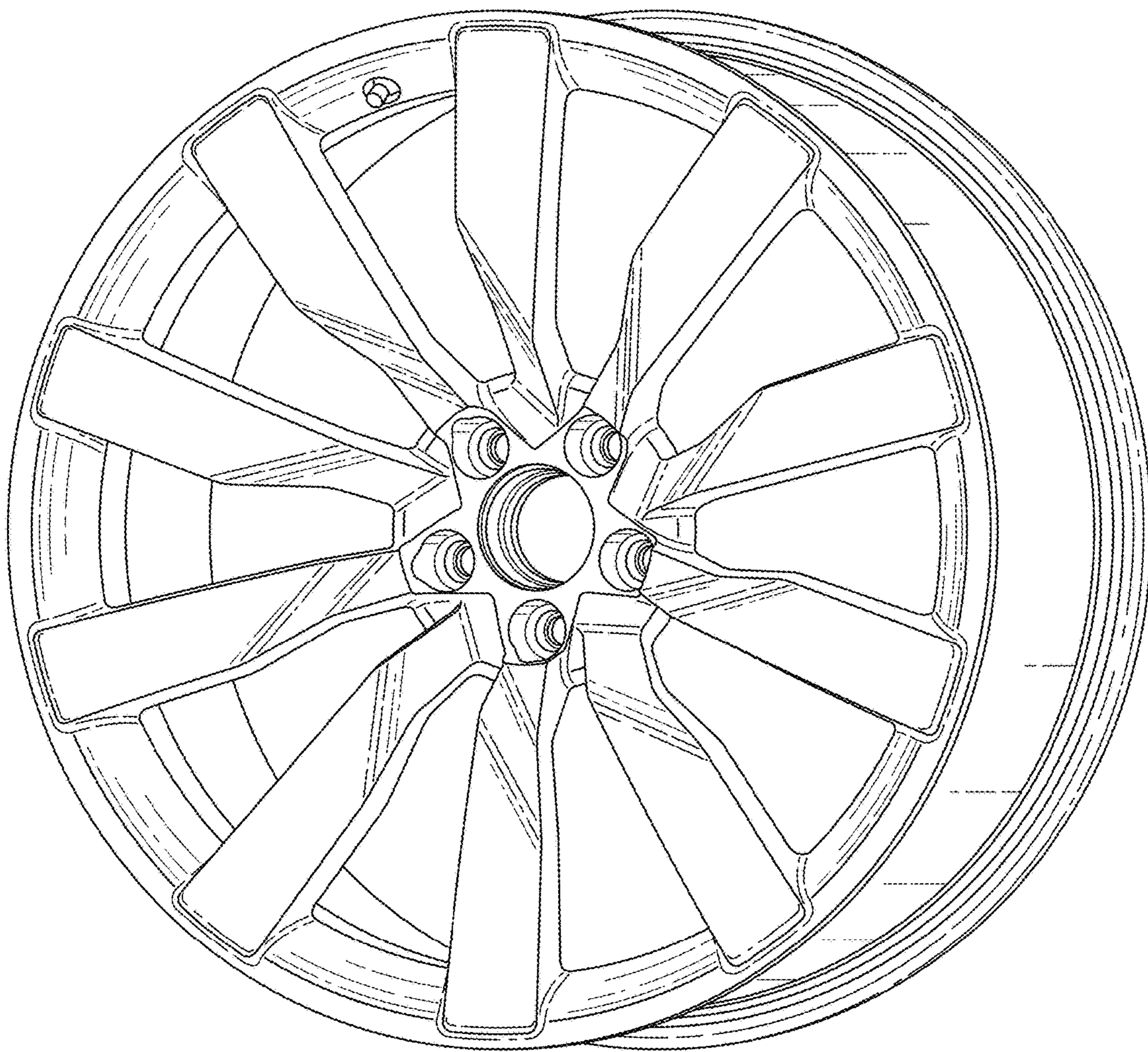


FIG. 2

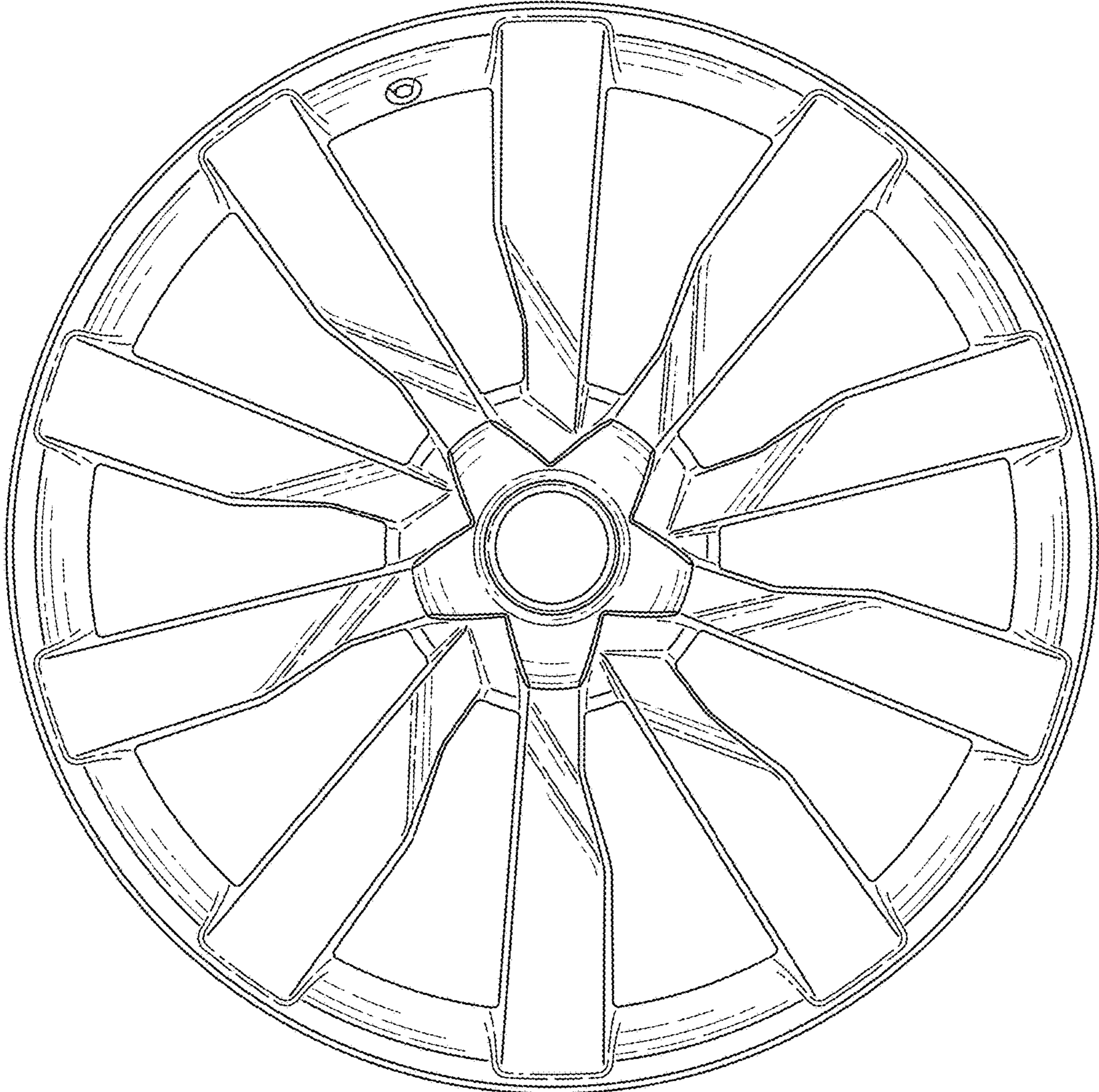


FIG. 3

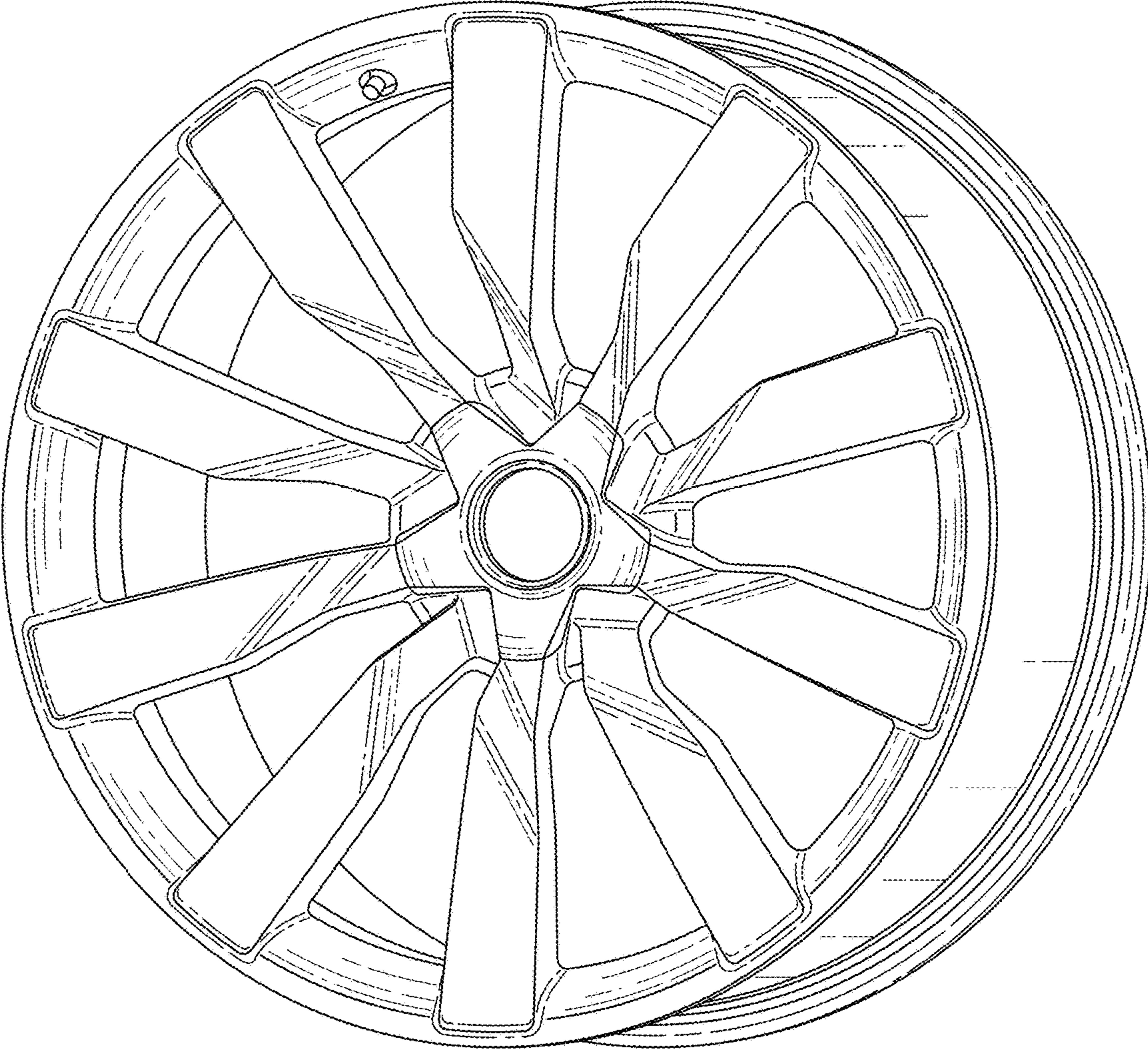


FIG. 4