



US00D785530S

(12) **United States Design Patent**
Kyung et al.

(10) **Patent No.:** **US D785,530 S**

(45) **Date of Patent:** **** May 2, 2017**

(54) **REAR DOOR PANEL FOR AUTOMOBILES**

(71) Applicant: **Hyundai Motor Company**, Seoul (KR)

(72) Inventors: **Jae-Hwan Kyung**, Seoul (KR);
Jae-Hyun Lee, Gyeongsangbuk-Do (KR); **Ho Lim**, Gyeonggi-Do (KR)

(73) Assignee: **Hyundai Motor Company**, Seoul (KR)

(**) Term: **15 Years**

(21) Appl. No.: **29/530,905**

(22) Filed: **Jun. 22, 2015**

(30) **Foreign Application Priority Data**

Jan. 30, 2015 (KR) 30-2015-0005072

(51) **LOC (10) Cl.** **12-16**

(52) **U.S. Cl.**
USPC **D12/196**

(58) **Field of Classification Search**
USPC D12/86, 90-92, 190, 196
CPC B60R 13/04; B60R 19/54; B62D 25/12;
B62D 27/026; B62D 35/005; B60J
5/0412

See application file for complete search history.

(56) **References Cited**

U.S. PATENT DOCUMENTS

D558,112 S	*	12/2007	Leclercq	D12/196
D580,331 S	*	11/2008	Gueler	D12/196
D582,314 S	*	12/2008	Leclercq	D12/92
D583,289 S	*	12/2008	Leclercq	D12/196
D620,394 S	*	7/2010	Bischoff	D12/91
D622,632 S	*	8/2010	Borkert	D12/91
D684,092 S	*	6/2013	Lee	D12/91
D695,645 S	*	12/2013	Tase	D12/91
D696,159 S	*	12/2013	Borkert	D12/92

D697,453 S	*	1/2014	Borkert	D12/92
D716,189 S	*	10/2014	Nordmann	D12/92
D731,924 S	*	6/2015	Lian	D12/91
D742,283 S	*	11/2015	Forsgren	D12/92

OTHER PUBLICATIONS

<https://www.youtube.com/watch?v=3gTjfo-vgZA>—Published Apr. 2, 2015.*

<https://www.hyundaiusa.com/tucson/index.aspx>—Downloaded May 10, 2016.*

* cited by examiner

Primary Examiner — Manpreet Matharu

Assistant Examiner — Mojtaba Tehrani

(74) *Attorney, Agent, or Firm* — Mintz Levin Cohn Ferris Glovsky and Popeo, P.C.; Kongsik Kim; Carolina Säve

(57) **CLAIM**

The ornamental design for a rear door panel for automobiles, as shown and described.

DESCRIPTION

FIG. 1 is a perspective view of a rear door panel for automobiles, showing our new design.

FIG. 2 is a front view thereof.

FIG. 3 is a rear view thereof.

FIG. 4 is a left side view thereof.

FIG. 5 is a right side view thereof.

FIG. 6 is a top view thereof; and,

FIG. 7 is a bottom view thereof.

The de-emphasized and halftone portions shown in the photographs illustrate environmental subject matter, which form no part of the claimed design.

1 Claim, 7 Drawing Sheets

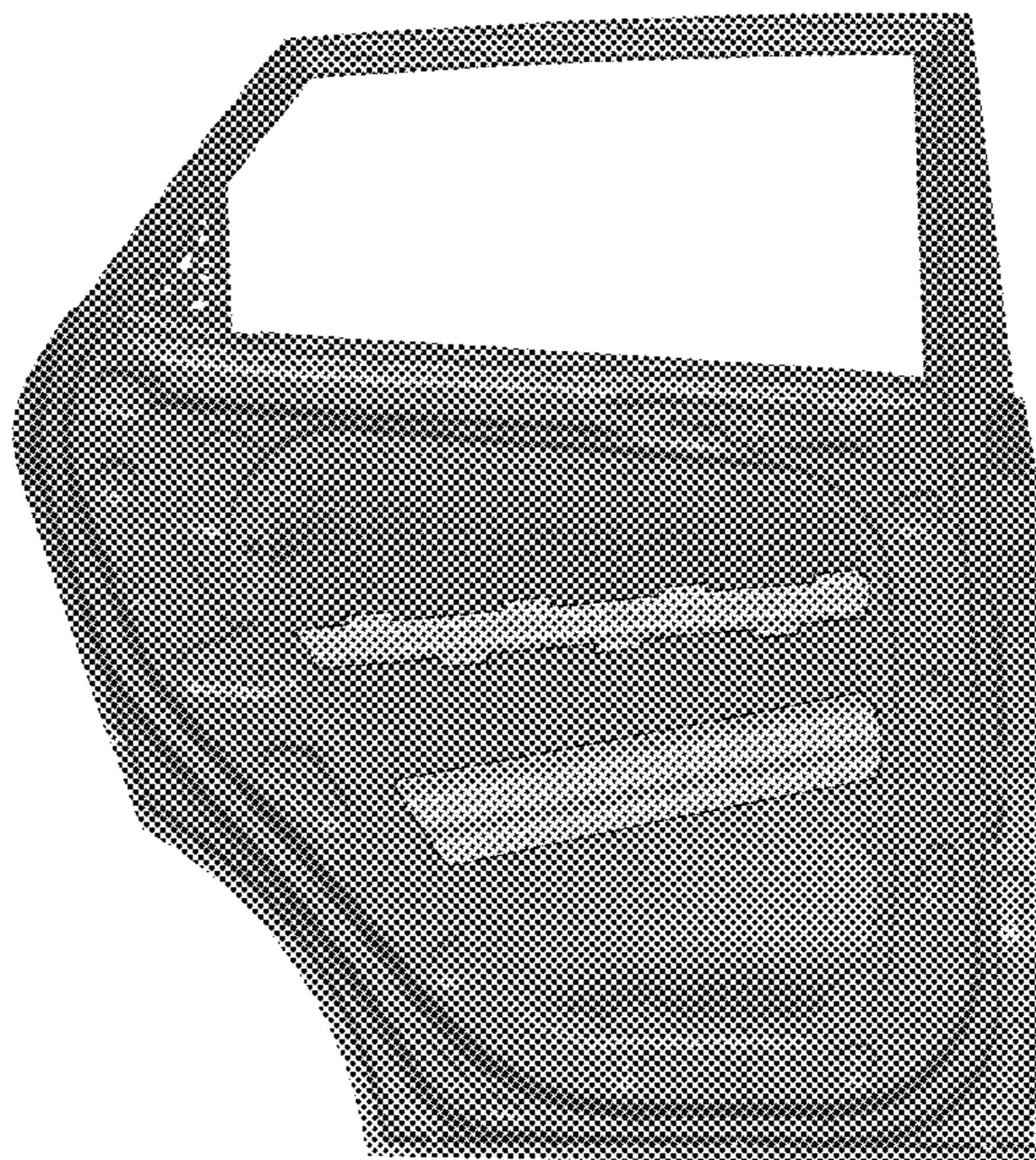
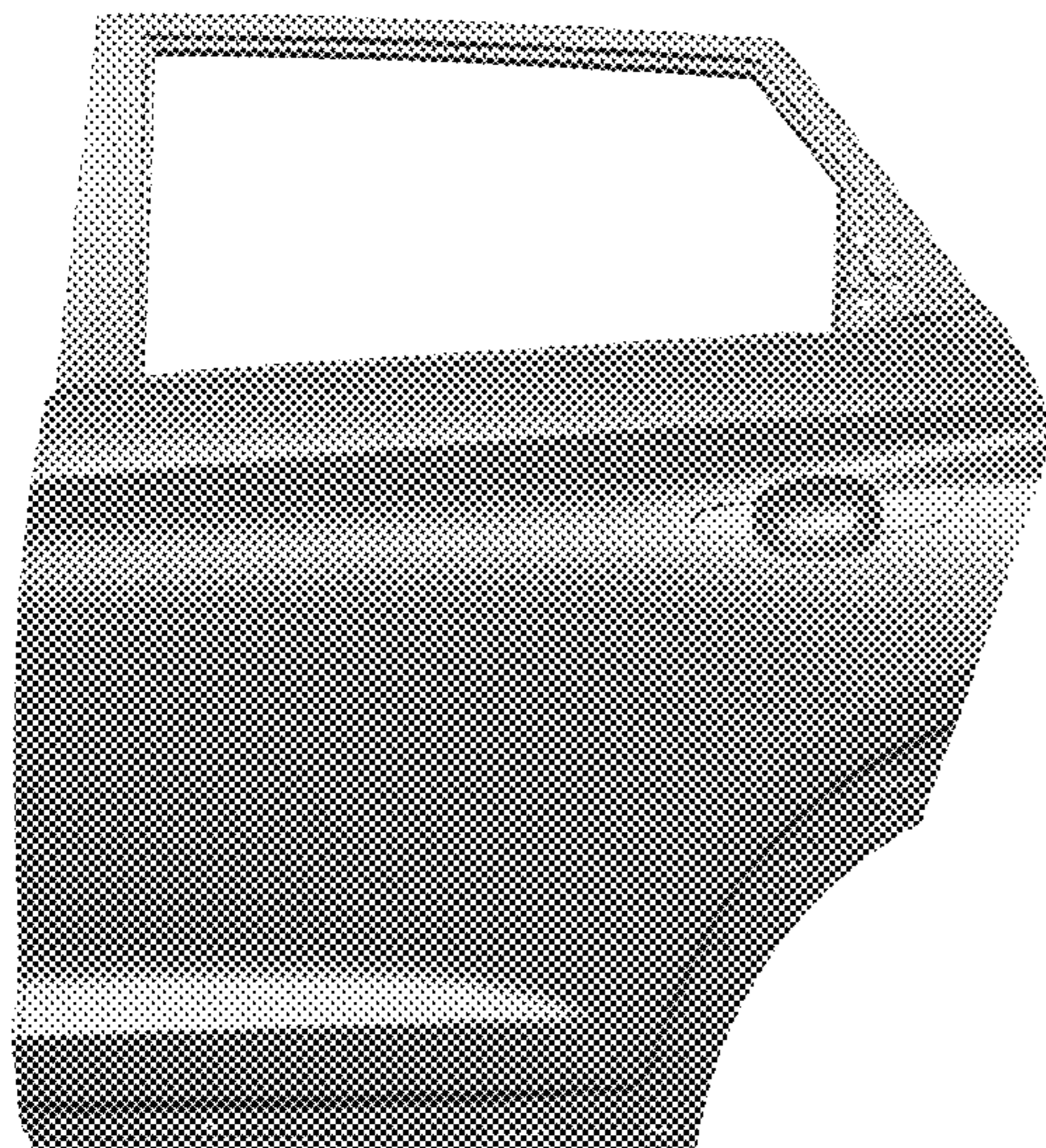


FIG. 1



FIG. 2

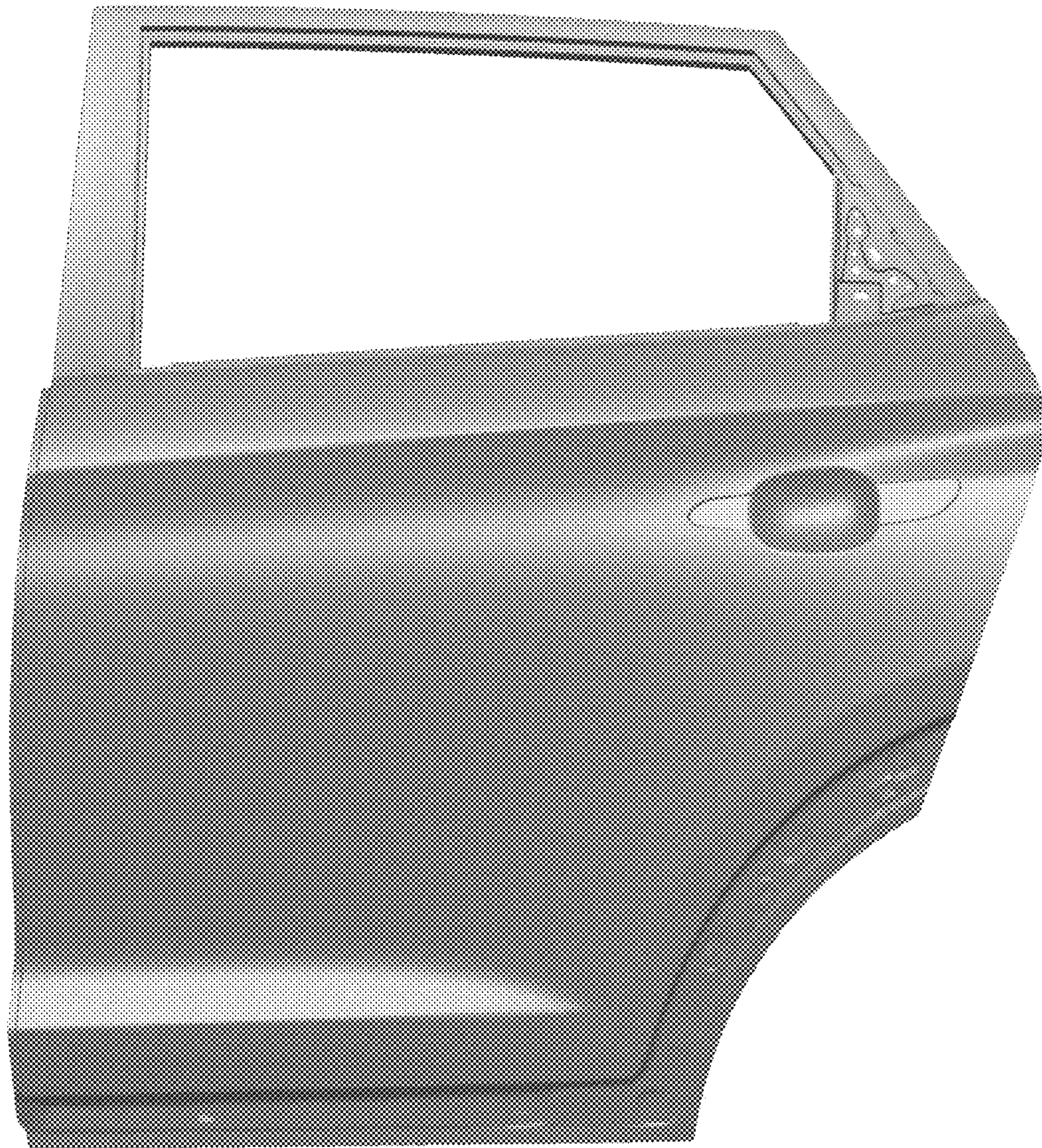


FIG. 3

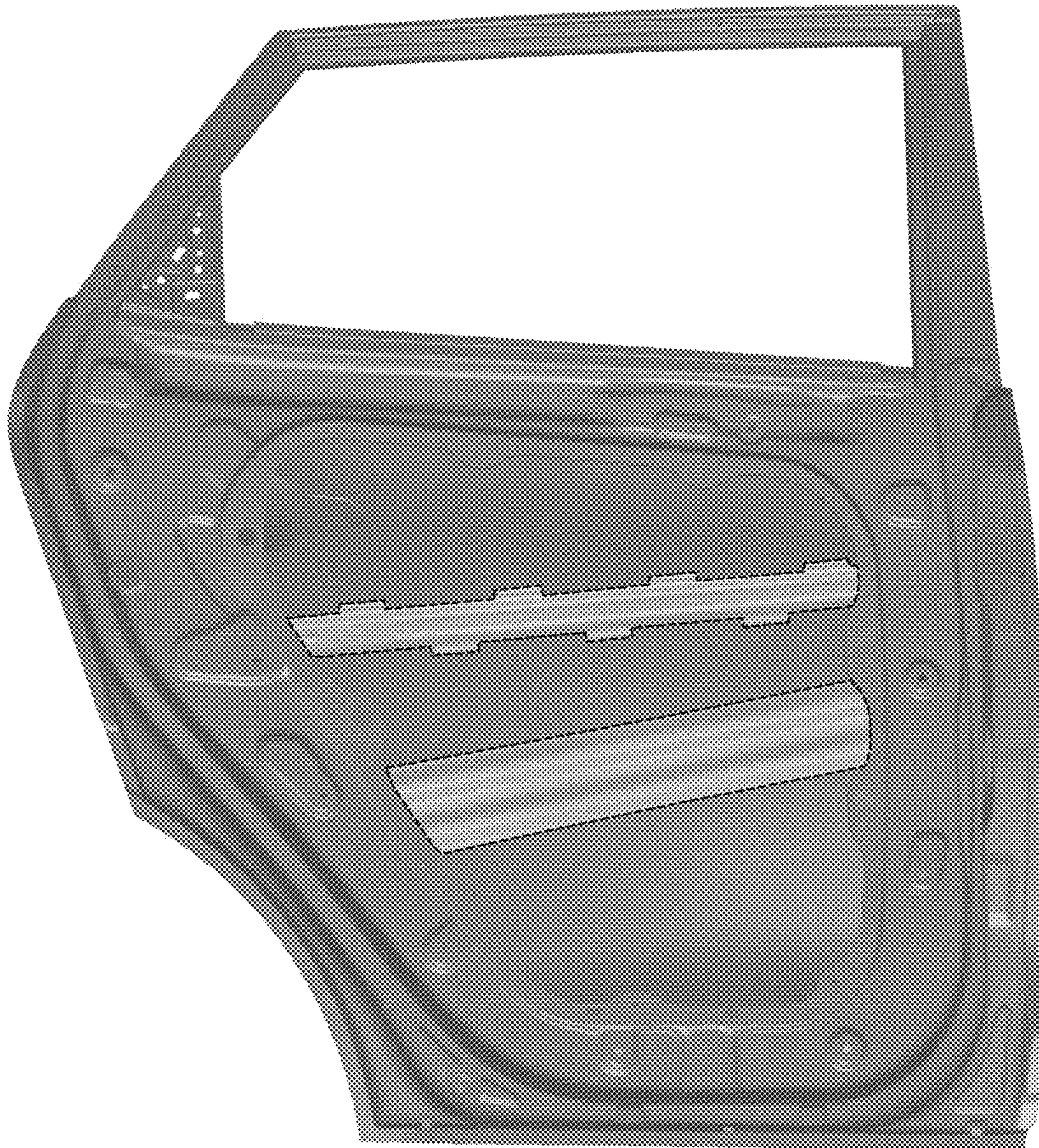


FIG. 4

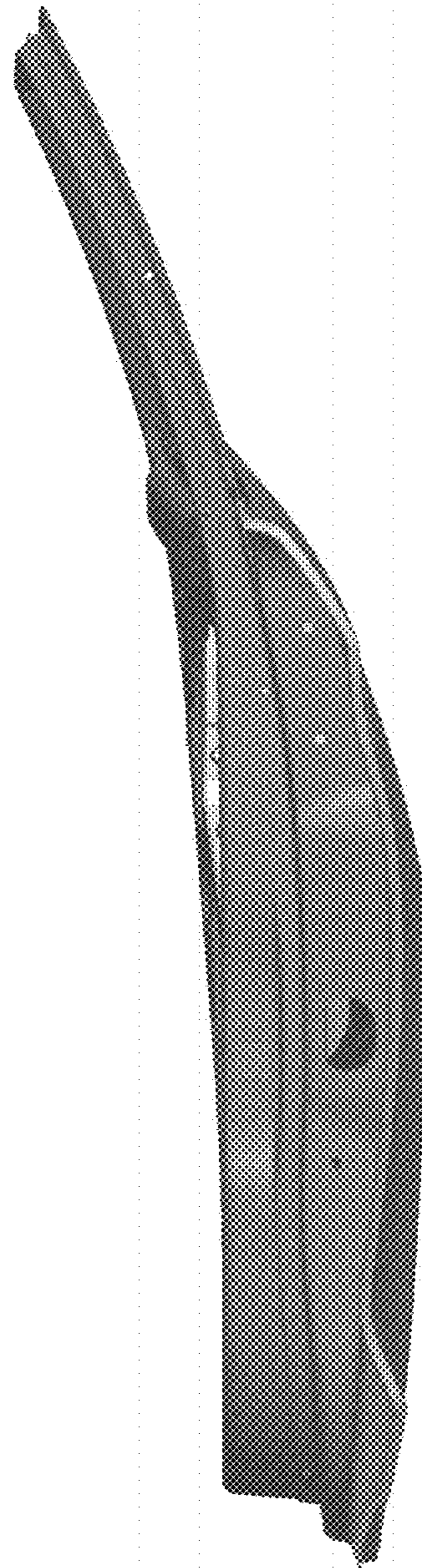


FIG. 5

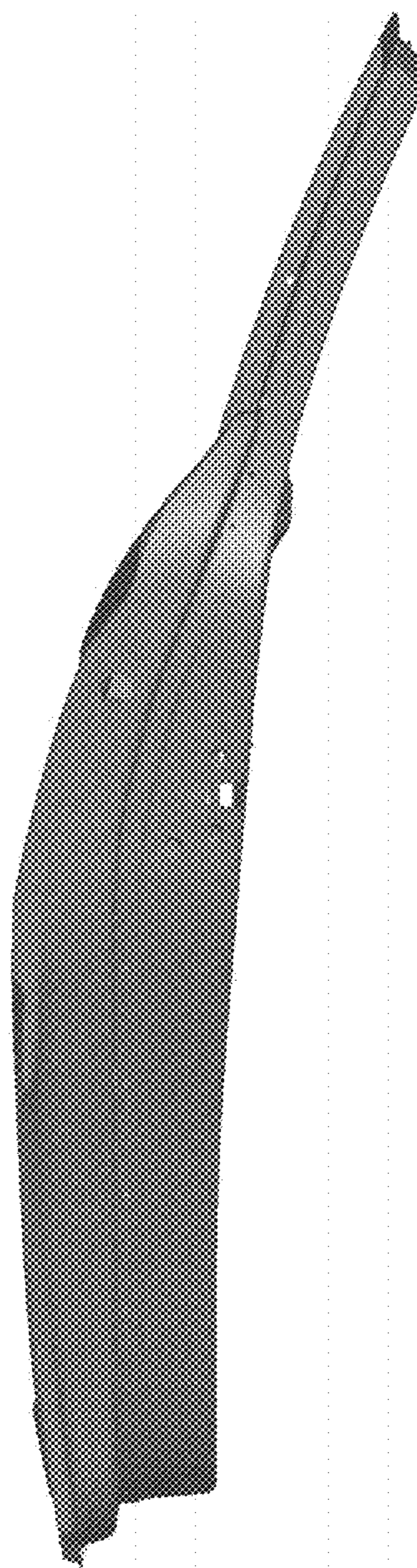


FIG. 6

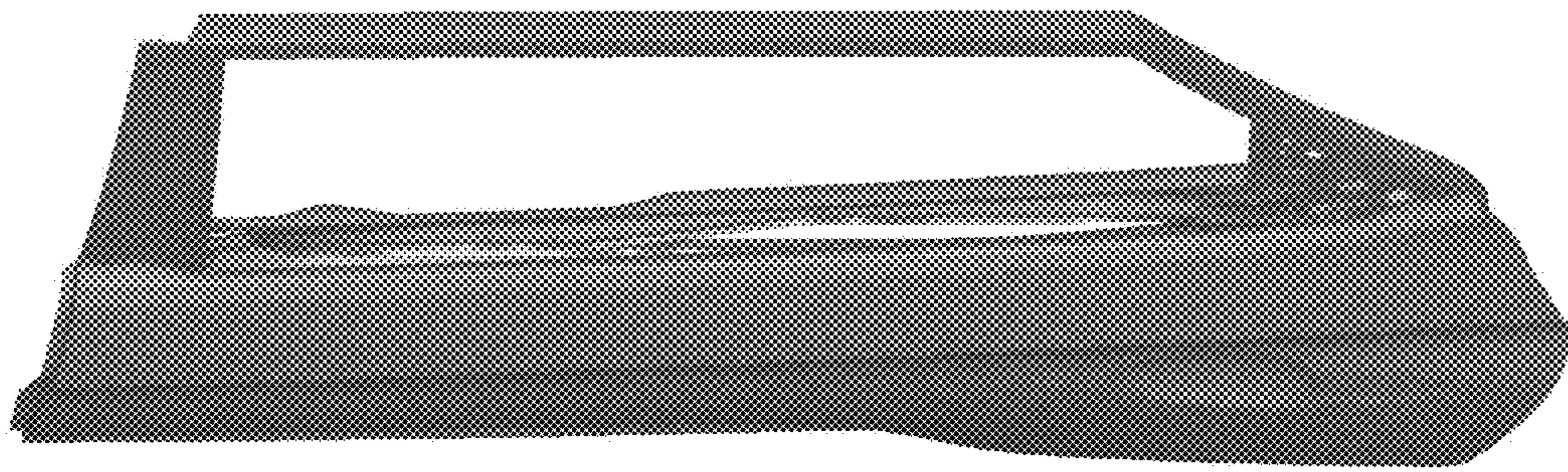


FIG. 7

