



US00D785529S

(12) **United States Design Patent**
Kyung et al.

(10) **Patent No.:** **US D785,529 S**

(45) **Date of Patent:** **** May 2, 2017**

(54) **FRONT DOOR PANEL FOR AUTOMOBILES**

(71) Applicant: **Hyundai Motor Company**, Seoul (KR)

(72) Inventors: **Jae-Hwan Kyung**, Seoul (KR);
Jae-Hyun Lee, Gyeongsangbuk-Do (KR); **Ho Lim**, Gyeonggi-Do (KR)

(73) Assignee: **Hyundai Motor Company**, Seoul (KR)

(**) Term: **15 Years**

(21) Appl. No.: **29/530,902**

(22) Filed: **Jun. 22, 2015**

(30) **Foreign Application Priority Data**

Jan. 30, 2015 (KR) 30-2015-0005071

(51) **LOC (10) Cl.** **12-16**

(52) **U.S. Cl.**
USPC **D12/196**

(58) **Field of Classification Search**
USPC D12/86, 90-92, 190, 196
CPC B60R 13/04; B60R 19/54; B62D 25/12;
B62D 27/026; B62D 35/005; B60J
5/0412

See application file for complete search history.

(56) **References Cited**

U.S. PATENT DOCUMENTS

D525,912 S * 8/2006 Perkins D12/92
D598,355 S * 8/2009 Sato D12/196
D649,911 S * 12/2011 Okumoto D12/92
D684,092 S * 6/2013 Lee D12/91
D695,663 S * 12/2013 Suga D12/196
D696,159 S * 12/2013 Borkert D12/92

D697,453 S * 1/2014 Borkert D12/92
D705,132 S * 5/2014 Ware D12/92
D727,211 S * 4/2015 Rugar D12/91
D728,424 S * 5/2015 Rugar D12/91
D737,176 S * 8/2015 Kaoud D12/92
D741,227 S * 10/2015 Messale D12/92

OTHER PUBLICATIONS

<https://www.youtube.com/watch?v=3gTjfo-vgZA>—Published Apr. 2, 2015.*

<https://www.hyundaiusa.com/tucson/index.aspx>—Downloaded May 10, 2016.*

* cited by examiner

Primary Examiner — Manpreet Matharu

Assistant Examiner — Mojtaba Tehrani

(74) *Attorney, Agent, or Firm* — Mintz Levin Cohn Ferris Glovsky and Popeo, P.C.; Kongsik Kim; Carolina Säve

(57) **CLAIM**

The ornamental design for a front door panel for automobiles, as shown and described.

DESCRIPTION

FIG. 1 is a perspective view of a front door panel for automobiles, showing our new design;
FIG. 2 is a front view thereof;
FIG. 3 is a rear view thereof;
FIG. 4 is a left side view thereof;
FIG. 5 is a right side view thereof;
FIG. 6 is a top view thereof; and,
FIG. 7 is a bottom view thereof.

The de-emphasized and halftone portions shown in the photographs illustrate environmental subject matter, which form no part of the claimed design.

1 Claim, 7 Drawing Sheets

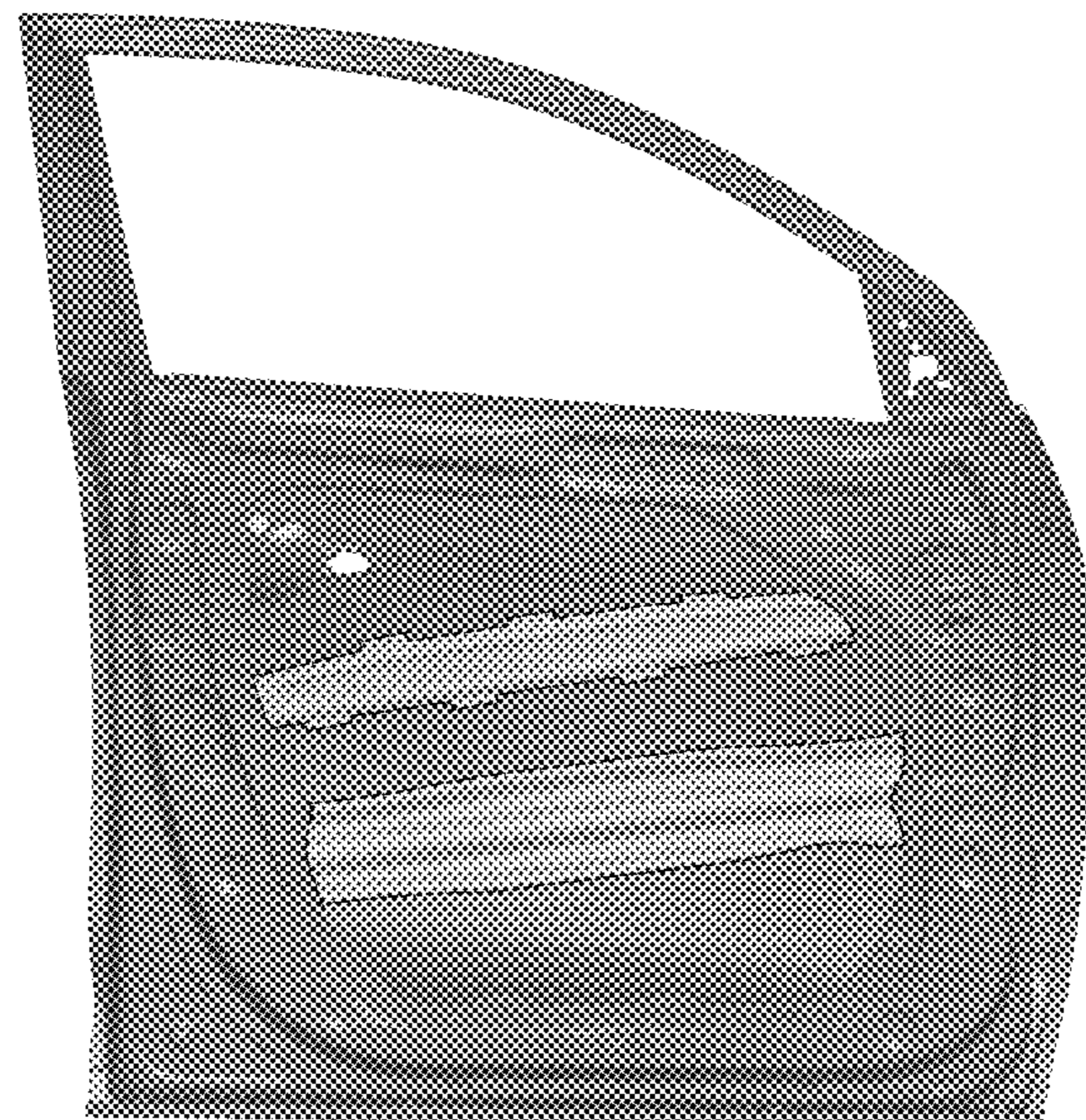
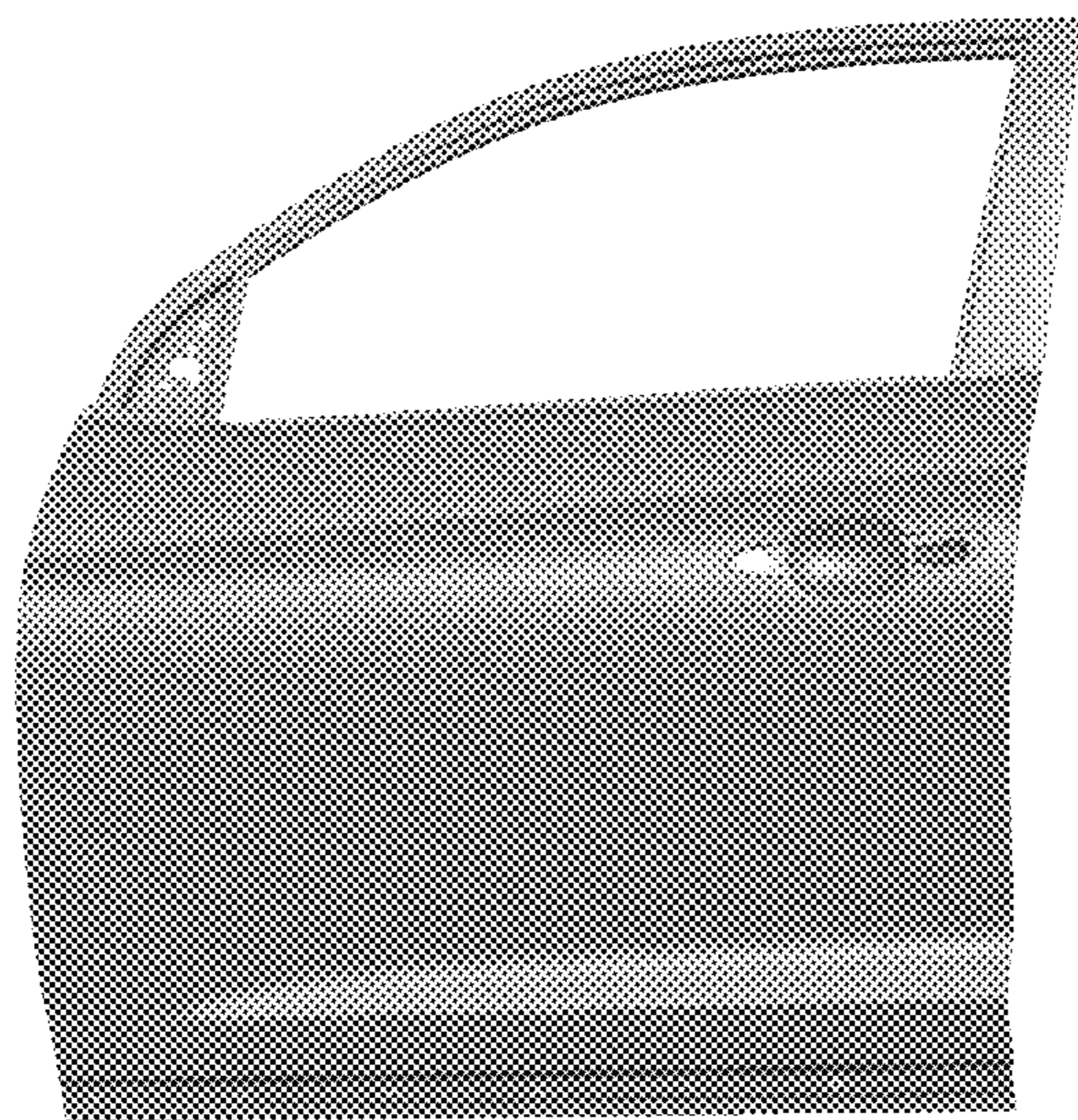


FIG. 1



FIG. 2



FIG. 3

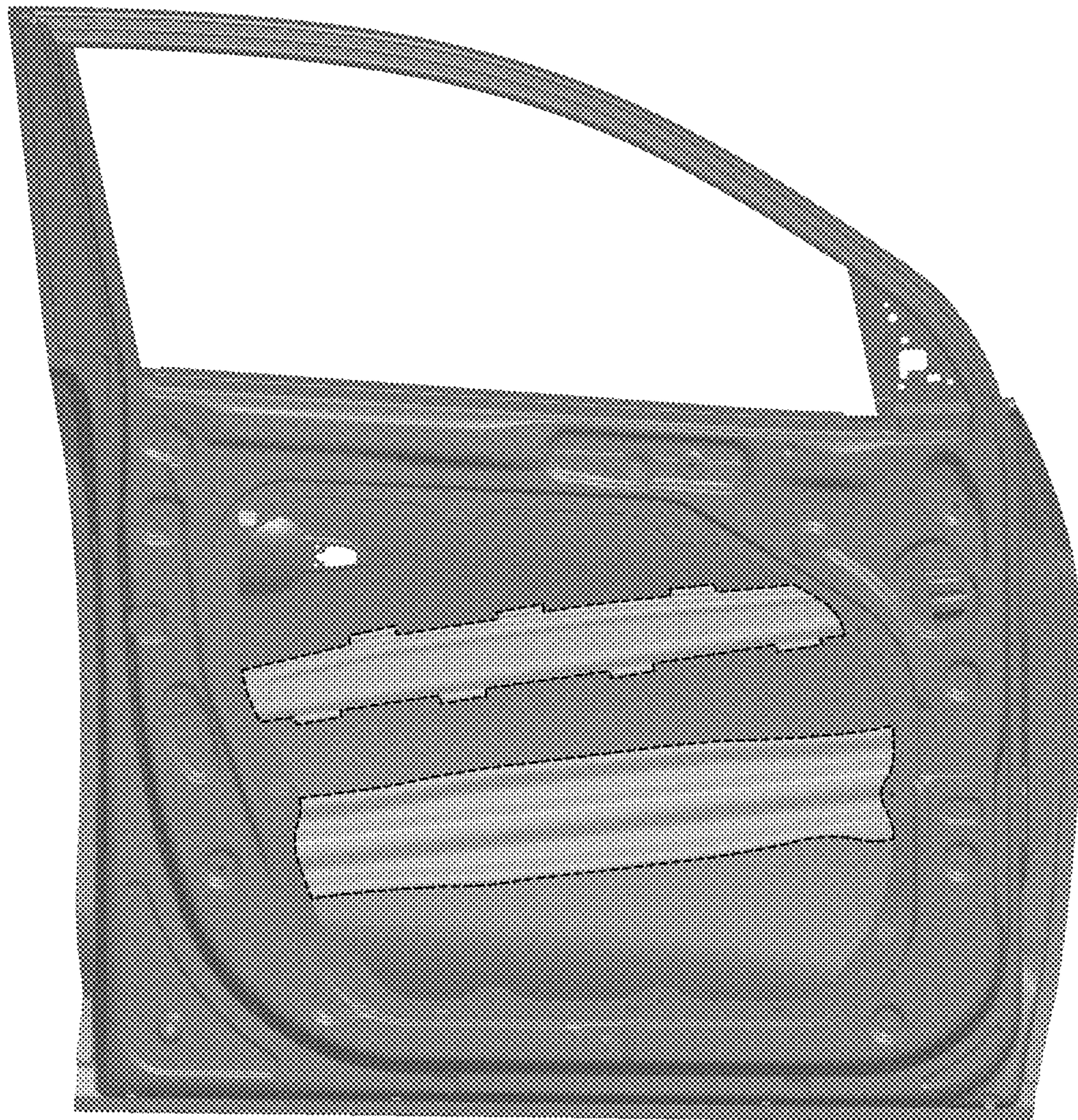


FIG. 4

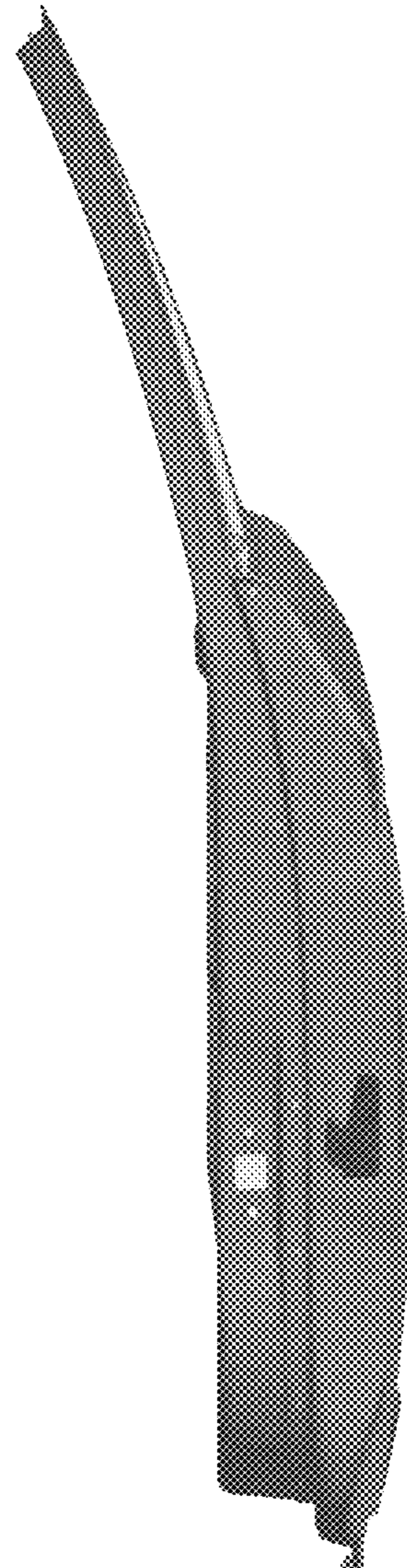


FIG. 5

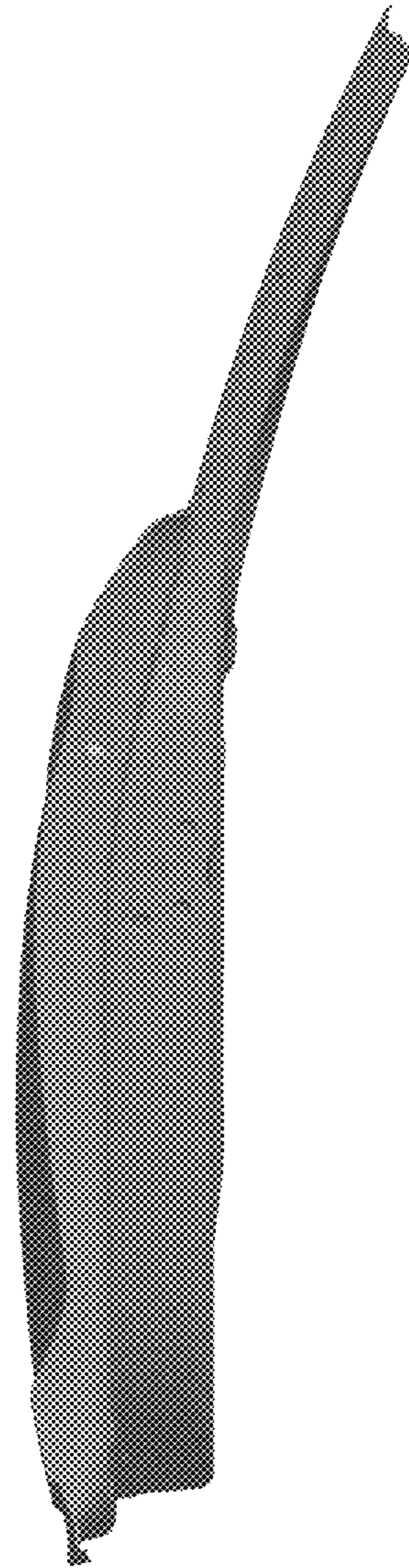


FIG. 6

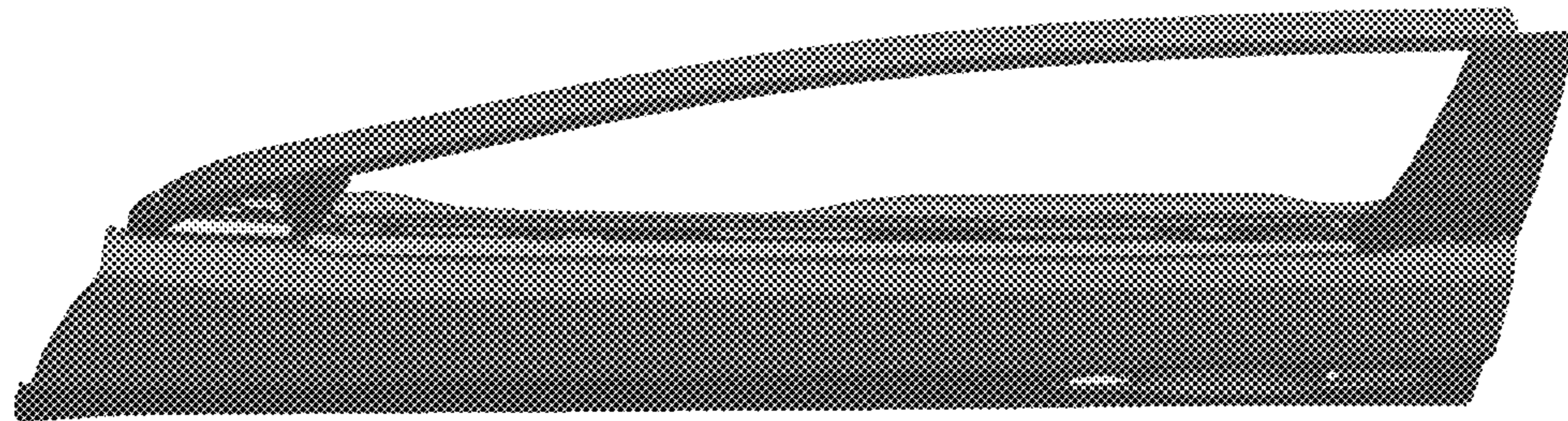


FIG. 7

