



US00D785528S

(12) **United States Design Patent**
Nathan et al.

(10) **Patent No.: US D785,528 S**

(45) **Date of Patent: ** May 2, 2017**

(54) **BASEBALL CAP SHAPED FRAME FOR
LICENSE PLATES**

(56) **References Cited**

U.S. PATENT DOCUMENTS

(71) Applicants: **Reuben D. Nathan**, Newport Beach,
CA (US); **Neil Mason**, Newport Beach,
CA (US)

D358,794 S * 5/1995 Thigpen D12/162
D481,762 S * 11/2003 Nemazi D20/13

* cited by examiner

(72) Inventors: **Reuben D. Nathan**, Newport Beach,
CA (US); **Neil Mason**, Newport Beach,
CA (US)

Primary Examiner — Eric Goodman
Assistant Examiner — Fritzgerald Butac
(74) *Attorney, Agent, or Firm* — William L. Chapin

(**) Term: **14 Years**

(57) **CLAIM**

The ornamental design for a baseball cap shaped frame for
license plates, as shown and described.

(21) Appl. No.: **29/516,377**

DESCRIPTION

(22) Filed: **Jan. 31, 2015**

(51) **LOC (10) Cl.** **12-16**

(52) **U.S. Cl.**
USPC **D12/193**

(58) **Field of Classification Search**

USPC D12/162, 193; D6/300, 301, 302, 310,
D6/311, 312, 313, 314; D11/134, 121,
D11/158; D20/13

CPC B60R 13/10; B60R 13/105; A42B 3/00;
A42B 3/04; A42B 3/18; A42B 3/20;
A42B 3/22; A42B 3/225; A63B 29/00;
A63B 78/08; A63B 78/10

See application file for complete search history.

FIG. 1 is a front perspective view of a baseball cap shaped
frame for license plates and pictures according to the present
invention, showing the frame attached to a vehicle and
holding a license plate.

FIG. 2 is another front perspective view thereof.

FIG. 3 is another front perspective view thereof.

FIG. 4 is a front elevation view thereof.

FIG. 5 is a rear elevation view thereof.

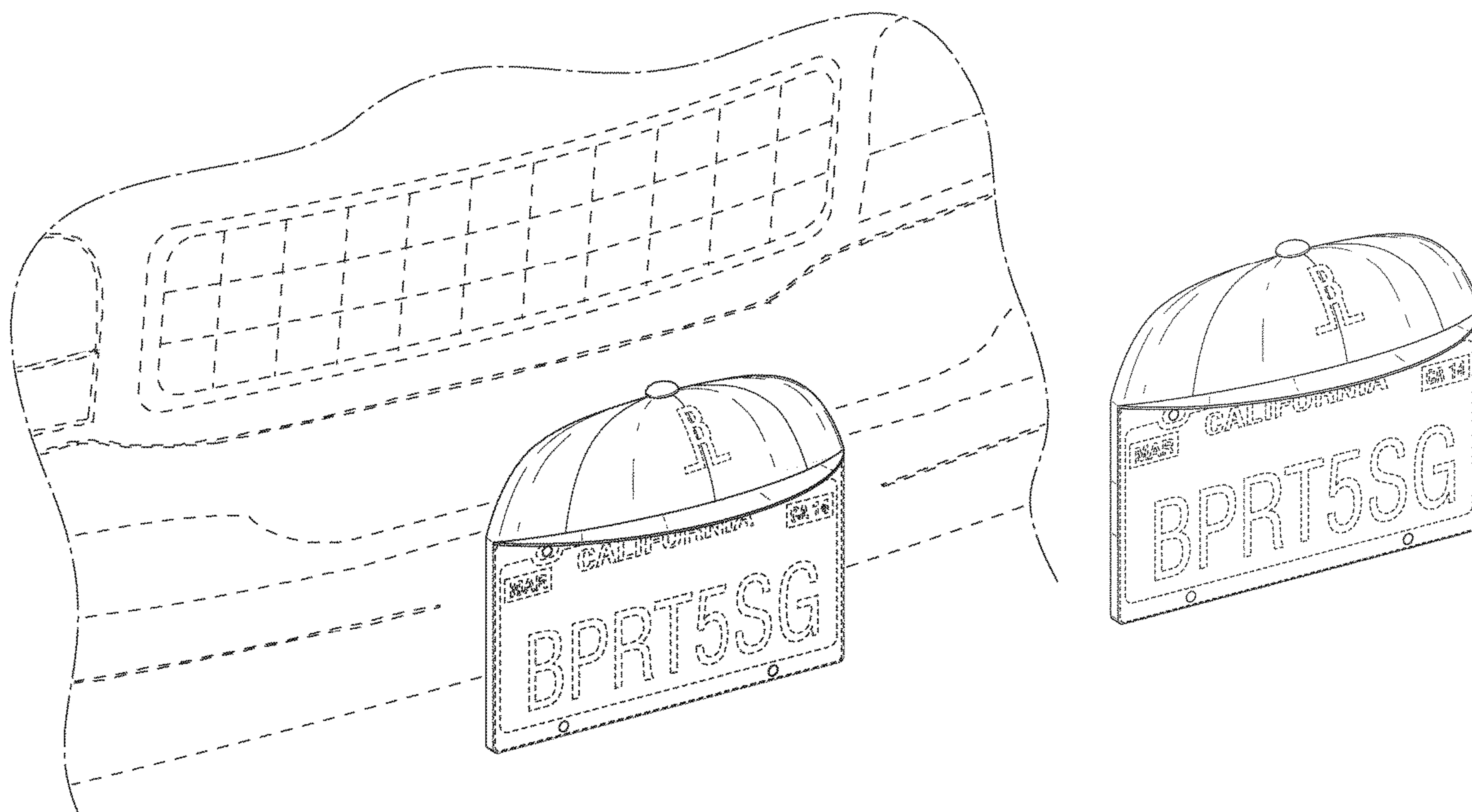
FIG. 6 is a right side elevation view thereof, the left side
elevation view being a mirror image of the right sided
elevation view.

FIG. 7 is a bottom plan view thereof; and,

FIG. 8 is a top plan view thereof.

The broken lines showing a vehicle and indicia are for the
purpose of illustrating environmental structure and form no
part of the claimed design.

1 Claim, 4 Drawing Sheets



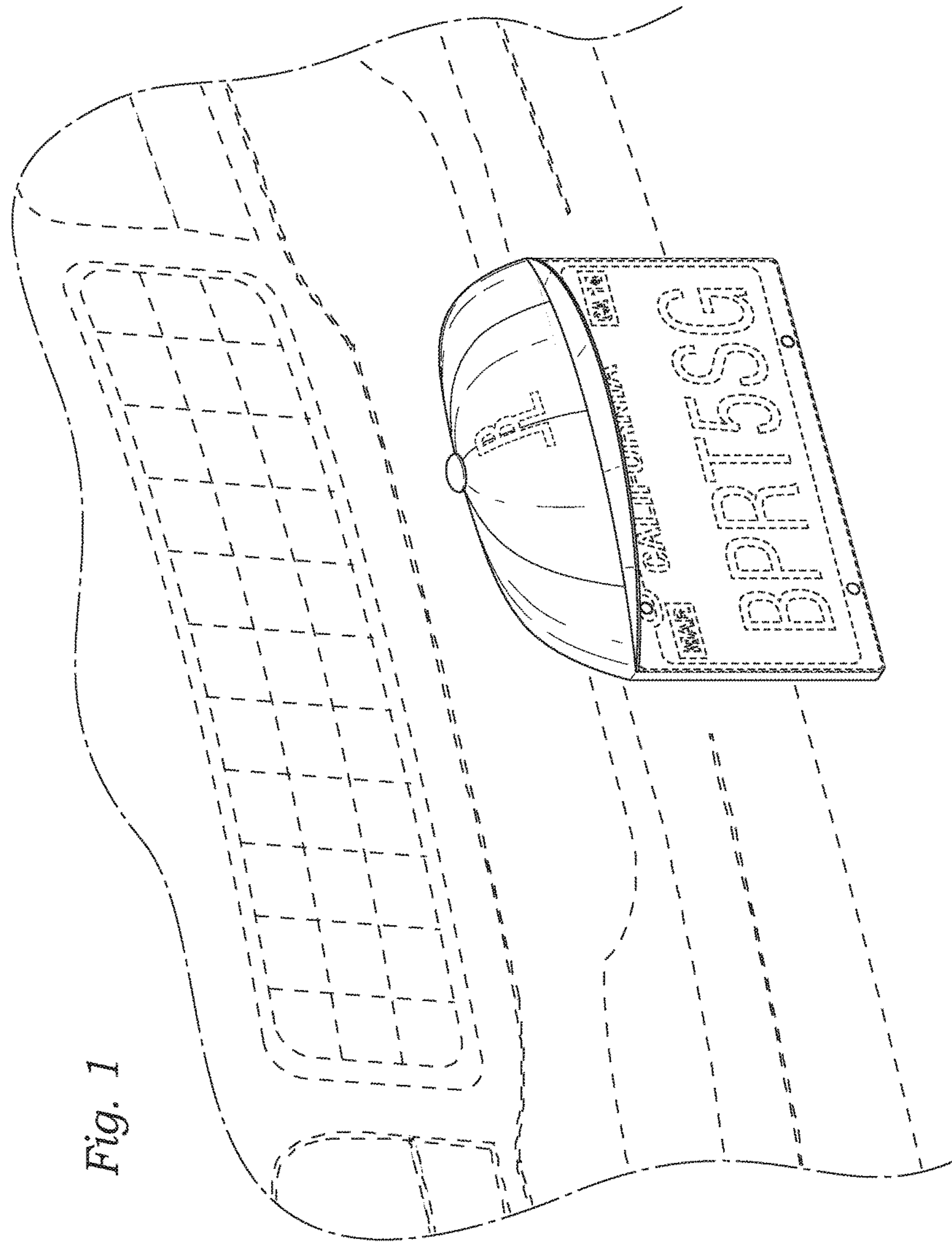


Fig. 1

Fig. 2

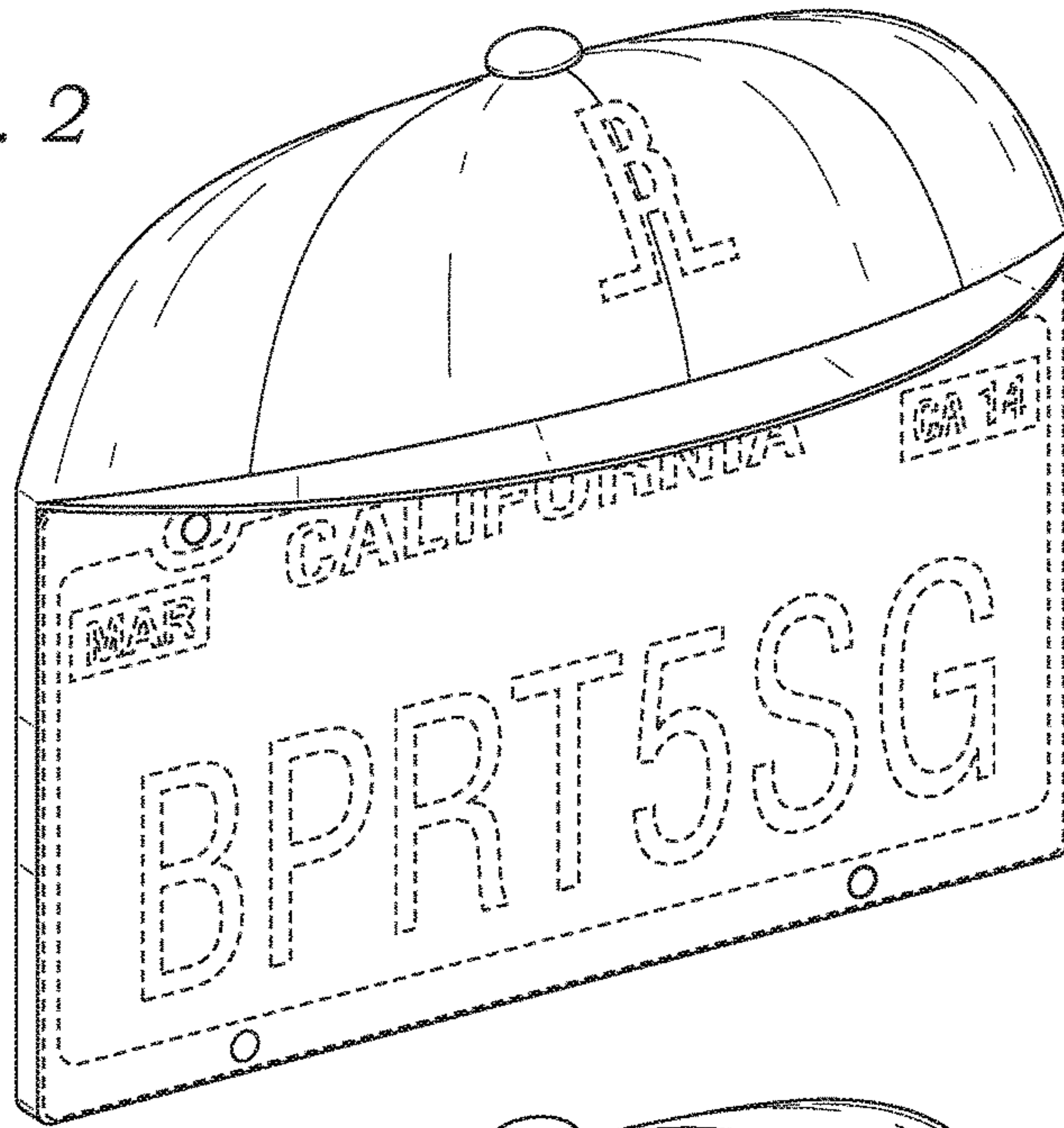
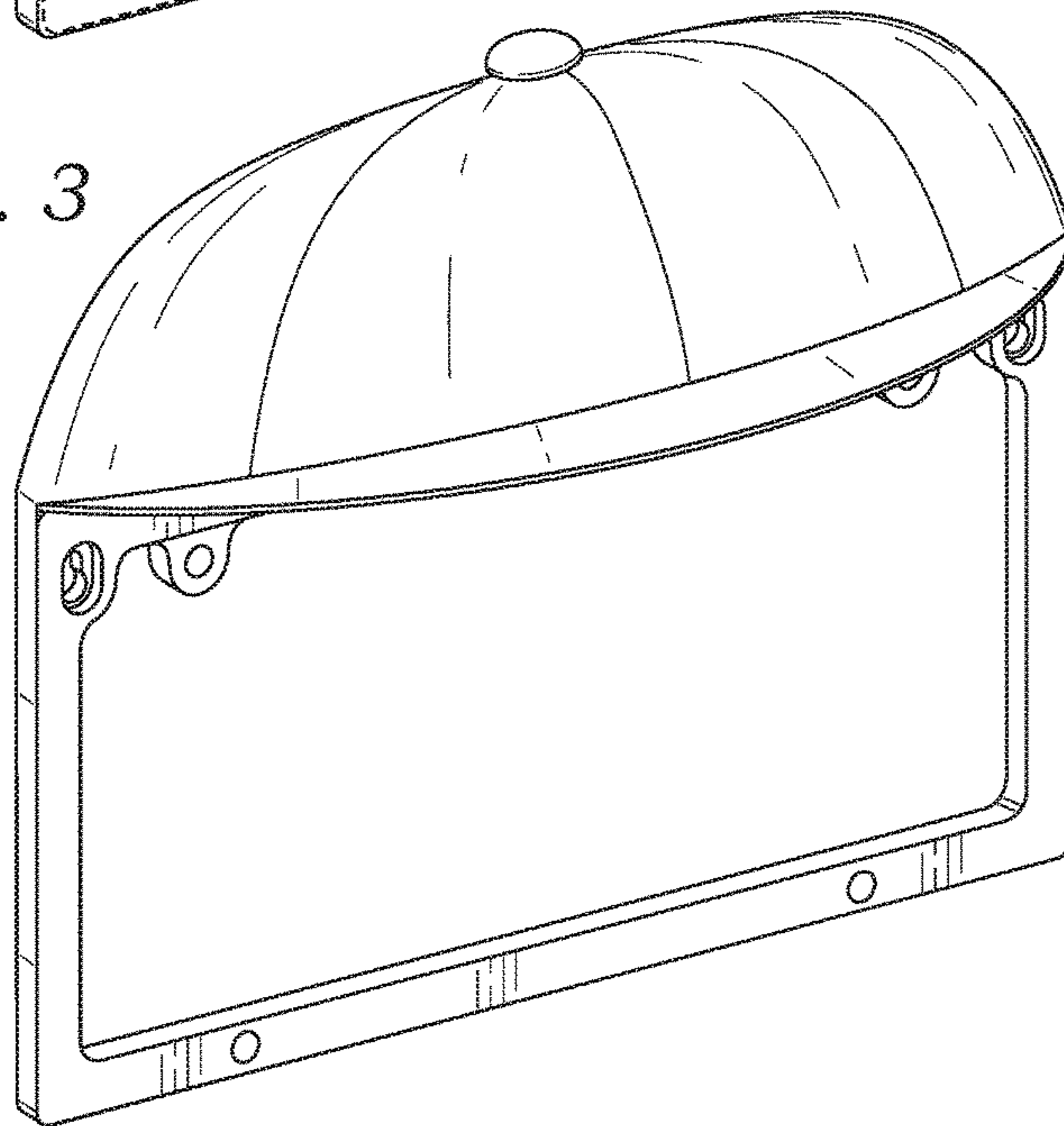


Fig. 3



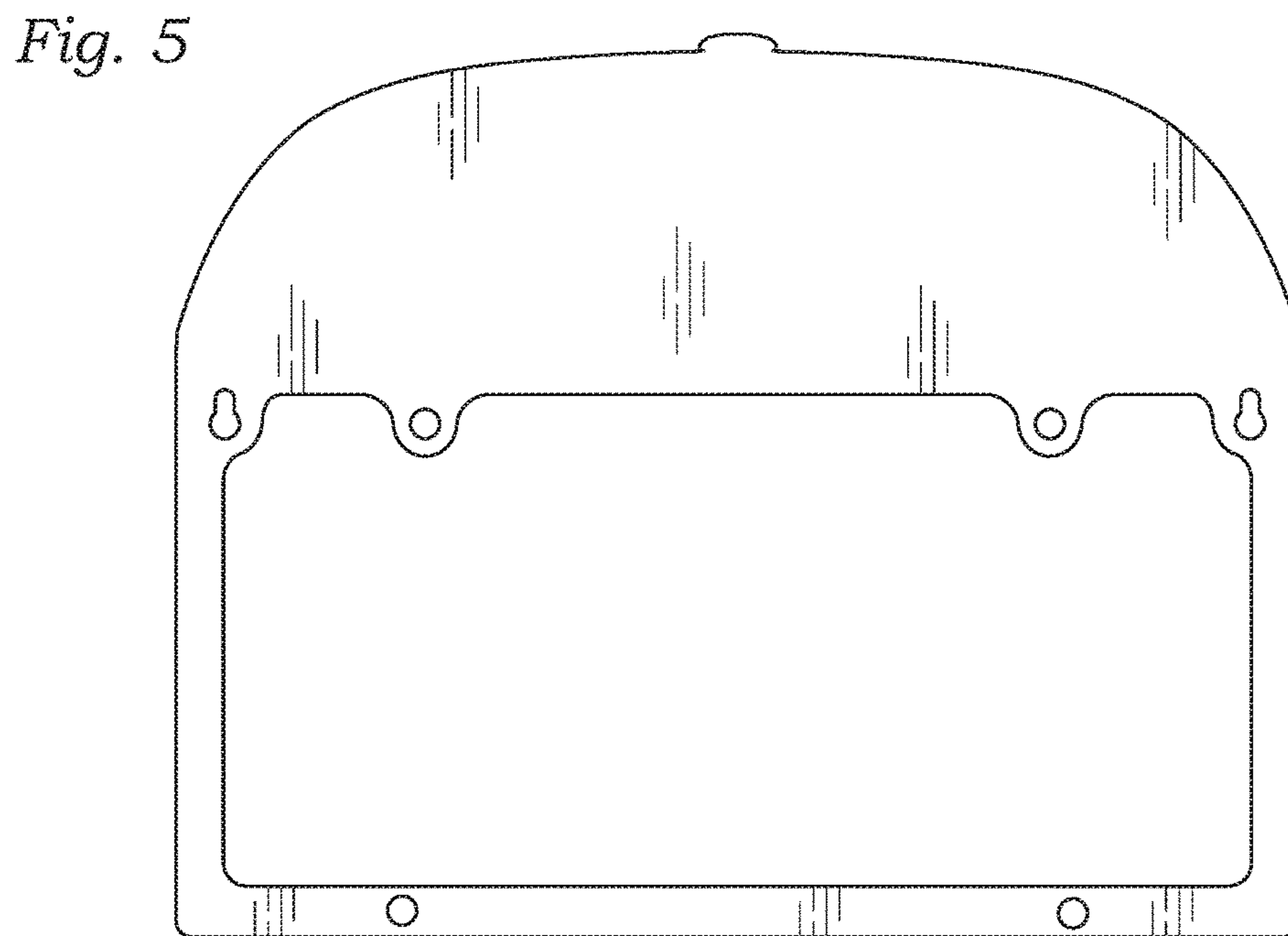
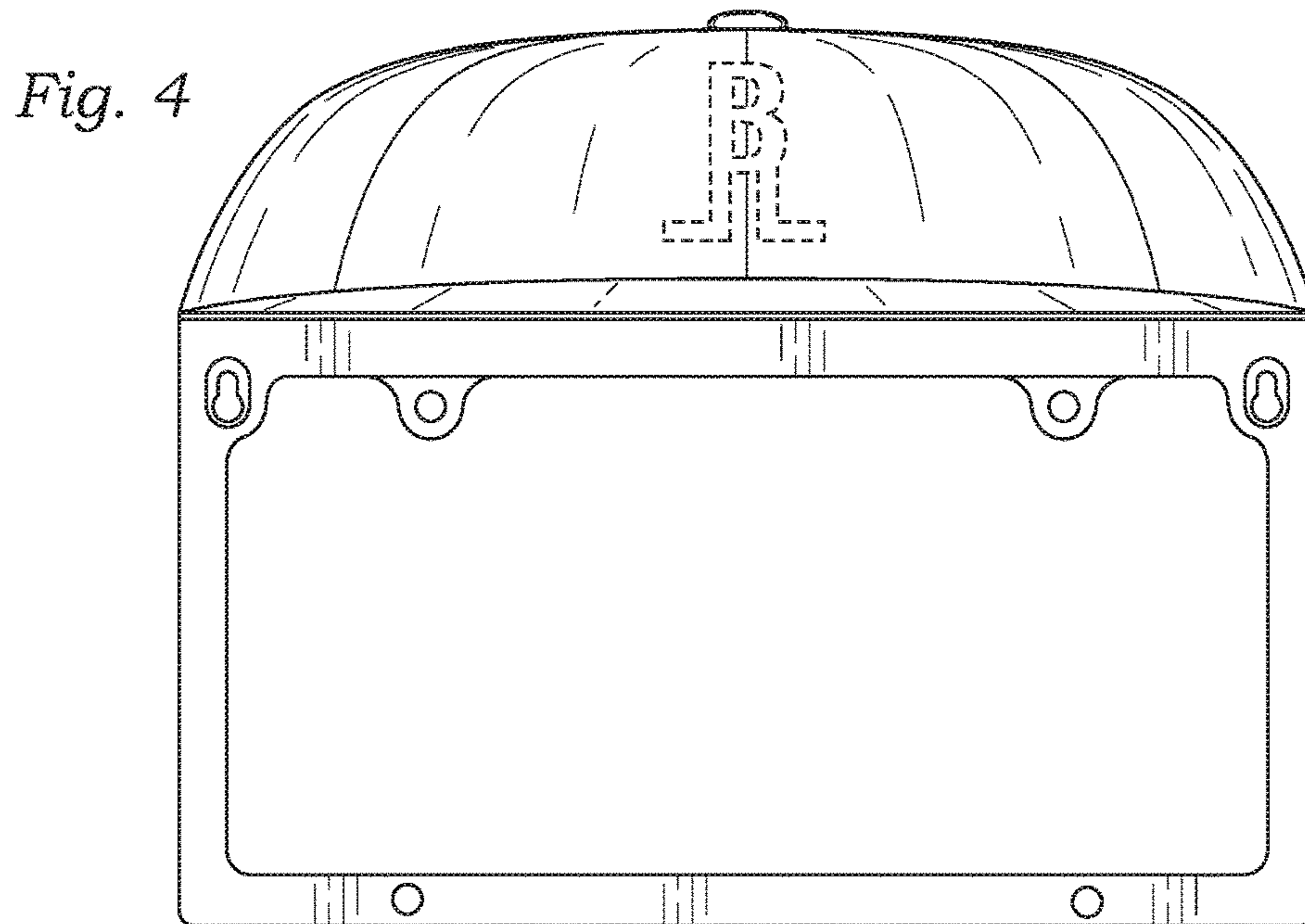


Fig. 6

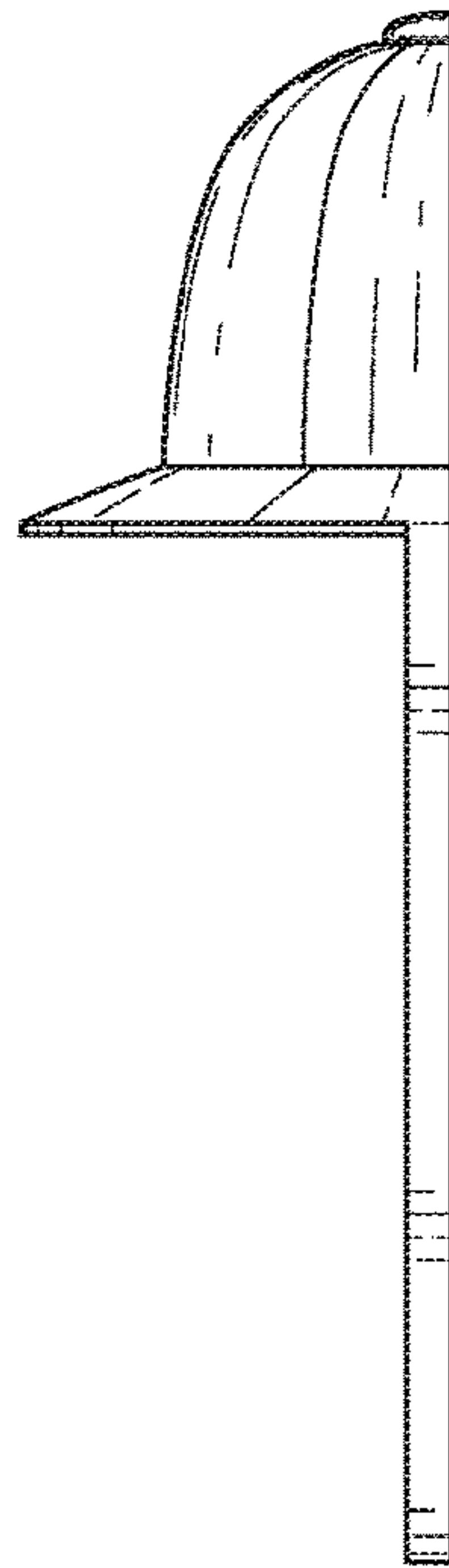


Fig. 7

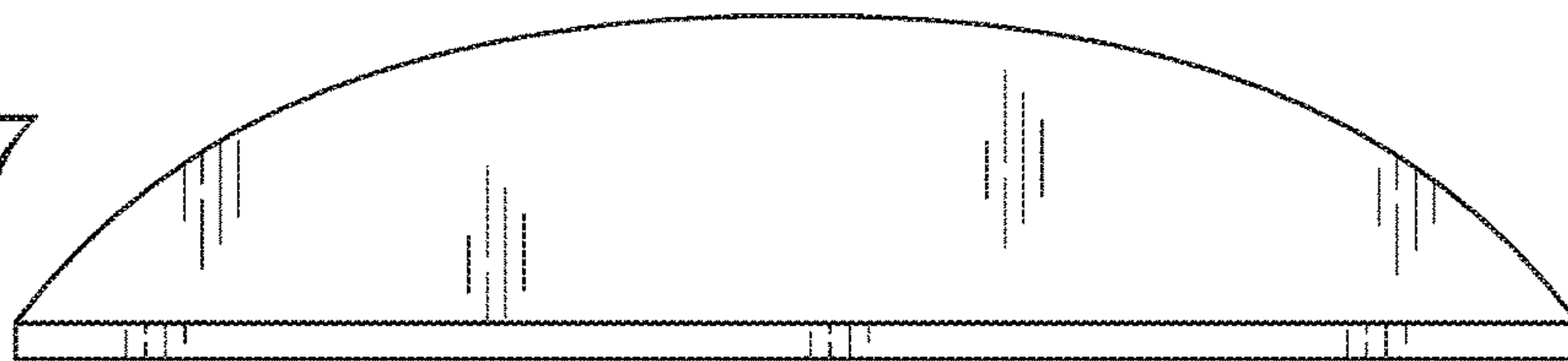


Fig. 8

