



US00D785517S

(12) **United States Design Patent**
Gobert

(10) **Patent No.:** **US D785,517 S**

(45) **Date of Patent:** **** May 2, 2017**

(54) **BOOT LOCK**

(71) Applicant: **Raymund Gobert**, Elton, LA (US)

(72) Inventor: **Raymund Gobert**, Elton, LA (US)

(**) Term: **15 Years**

(21) Appl. No.: **29/559,574**

(22) Filed: **Mar. 30, 2016**

(51) **LOC (10) Cl.** **12-16**

(52) **U.S. Cl.**

USPC **D12/179**

(58) **Field of Classification Search**

USPC D12/14, 106, 114, 118, 122, 161, 162,
D12/179, 180, 207, 217, 400

CPC ... B60T 1/06; B60T 7/00; B60T 8/265; B60T
11/00; B60T 11/103; B60T 13/00; B60T
13/66; B60T 17/223; B60T 83/255; B60T
2201/00; B60T 2201/03; B60T 2260/00;
B60T 2270/00; B60T 2270/82; B60T
2270/83; B60T 2270/84; B62K 23/06;
B62L 1/02; B62L 3/02; B62D 13/025;
B62D 21/18; B62D 53/045; B62D 63/04;
B62D 65/02; B62D 65/18; F16D 55/00;
F16D 55/226; F16D 65/00; F16D 65/092;
F16D 65/095; F16D 65/097; F16D 65/18;
F16D 65/38; F16D 65/847; B32B 3/06

See application file for complete search history.

(56) **References Cited**

U.S. PATENT DOCUMENTS

1,478,176 A * 12/1923 Coulter B60T 11/103
188/360
1,482,729 A * 2/1924 Buchwald B60T 11/103
188/291
1,554,988 A * 9/1925 Carroll B60T 1/06
188/206 R
1,630,519 A * 5/1927 Blakely F16D 65/00
29/509

2,045,882 A * 6/1936 Stromgren F16D 65/38
188/2 R
2,165,978 A * 7/1939 Miller B61H 5/00
188/264 A
2,237,581 A * 4/1941 Schwinn B62L 3/02
74/489
2,341,796 A * 2/1944 Kuna F16D 65/38
33/610
2,426,116 A * 8/1947 Oetzel F16D 55/00
188/250 C

(Continued)

OTHER PUBLICATIONS

Valve-Lock, image post date Jun. 9, 2013, site visited Dec. 11, 2016,
(online), <<http://www.myrideisme.com/Blog/check-to-avoid-common-valve-lock-troubles/>>.*

(Continued)

Primary Examiner — Kevin Rudzinski

Assistant Examiner — Sean D Lough

(74) *Attorney, Agent, or Firm* — Robert C. Montgomery;
Montgomery Patent & Design LP.

(57)

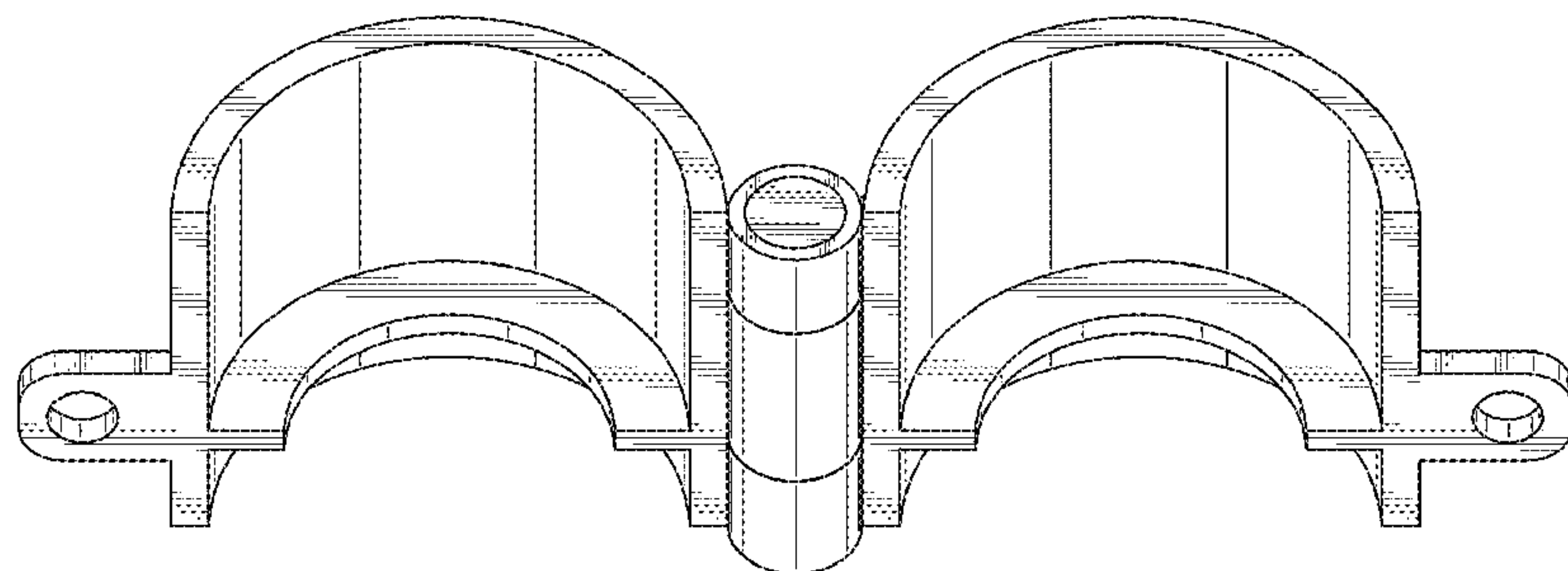
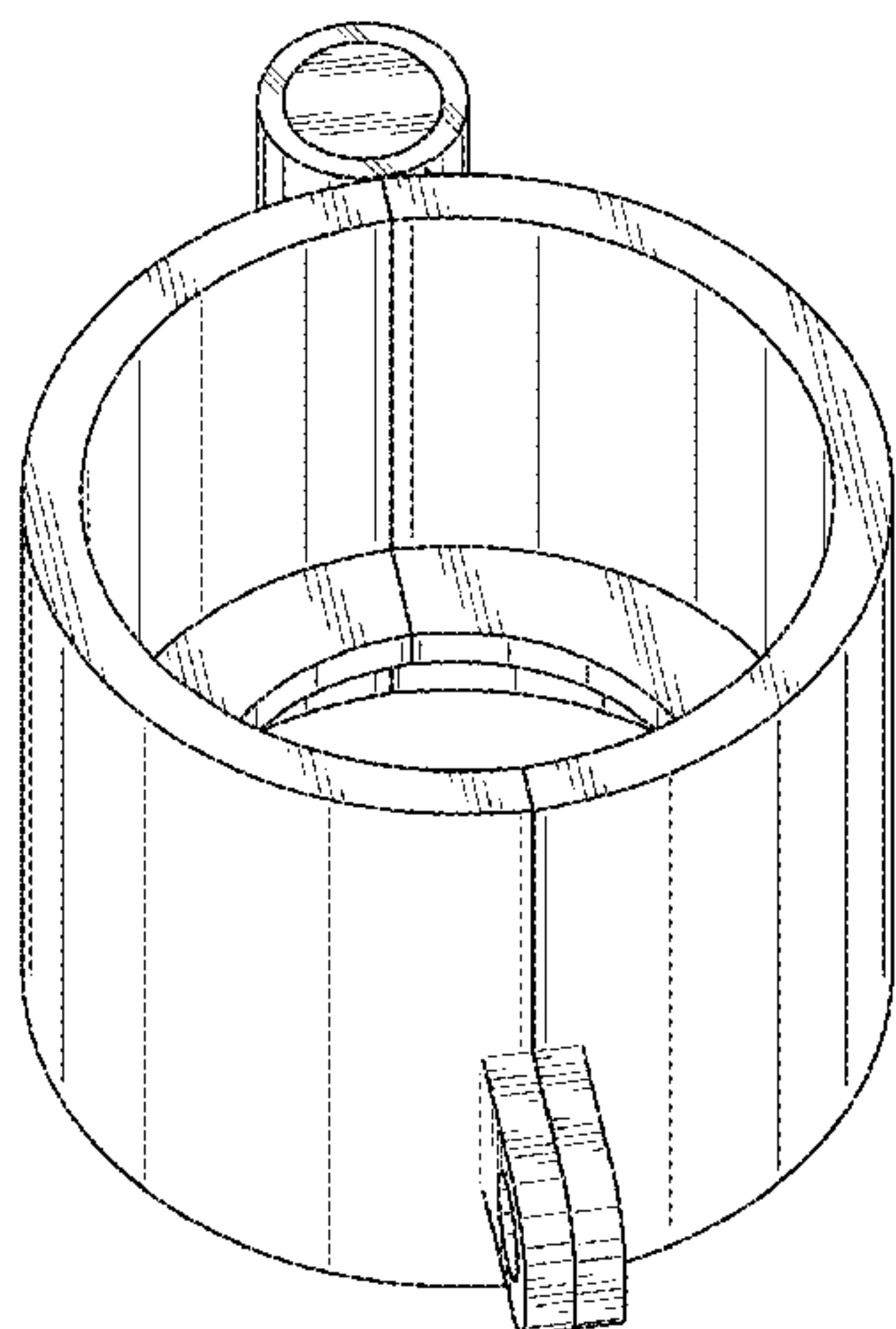
CLAIM

The ornamental design for a boot lock, as shown and described.

DESCRIPTION

FIG. 1 is a front perspective view of a boot lock in a closed open configuration, showing my new design;
FIG. 2 is a front perspective view of the boot lock in a fully open configuration;
FIG. 3 is a front elevation view of the boot lock of FIG. 1;
FIG. 4 is a rear elevation view thereof;
FIG. 5 is a left side elevation view thereof;
FIG. 6 is a right side elevation view thereof; and,
FIG. 7 is a bottom plan view thereof, with the top plan view being a mirror image thereof.

1 Claim, 5 Drawing Sheets



(56)

References Cited

U.S. PATENT DOCUMENTS

2,450,196 A * 9/1948 Houston F16D 65/38
33/542
2,626,026 A * 1/1953 Sherwood B60T 11/103
188/152
2,627,329 A * 2/1953 Deputy B60T 11/103
477/206
2,638,194 A * 5/1953 Gray B60T 11/103
188/152
2,861,655 A * 11/1958 Butler F16D 55/228
188/152
3,036,677 A * 5/1962 Prachar B60T 11/105
192/221
3,059,906 A * 10/1962 Powell B62K 23/06
254/390
3,391,555 A 7/1968 Mamo
3,635,317 A * 1/1972 Crabb B60T 11/103
137/596
3,788,432 A * 1/1974 Marti B60T 1/067
188/138
3,884,055 A 5/1975 Vuillemot
4,141,569 A 2/1979 Dilk
D257,837 S * 1/1981 Pierce D12/162
D289,630 S * 5/1987 Owens 74/551.8
4,730,841 A 3/1988 Ponder
D296,198 S * 6/1988 Buchanan D12/106
4,796,729 A * 1/1989 Viscogliosi F16D 65/18
188/106 F
4,854,423 A * 8/1989 Evans F16D 51/22
188/106 F
D321,334 S * 11/1991 Greenlaw 74/608
5,111,915 A * 5/1992 Rupprecht F16D 55/227
188/71.1
D341,067 S * 11/1993 Clark D8/4
D342,891 S * 1/1994 Marui D8/396
5,322,145 A * 6/1994 Evans B60T 1/06
188/106 A
D362,100 S * 9/1995 McMurdo D12/179
5,461,936 A * 10/1995 Bulkeley B62K 23/06
74/488
D370,604 S * 6/1996 Donabedian D8/14
5,681,053 A 10/1997 Misukanis et al.
D389,442 S * 1/1998 Kantor D12/162
6,102,341 A * 8/2000 Ball F16L 3/133
248/58
D443,238 S * 6/2001 Carlson D12/179
6,241,056 B1 * 6/2001 Cullen B22D 19/00
188/218 R
6,293,449 B1 * 9/2001 McGuire B62J 11/00
224/420
6,467,317 B1 * 10/2002 Hillabush B60D 1/60
280/507

D476,860 S * 7/2003 Groendyke D7/620
6,588,239 B1 7/2003 Johansson
6,598,432 B1 7/2003 Dwyer
D496,888 S * 10/2004 Johnson, Jr. D12/162
6,799,664 B1 * 10/2004 Connolly F16D 51/16
188/328
7,107,799 B1 9/2006 Marley et al.
7,510,058 B2 * 3/2009 Ether B60T 7/107
188/156
7,631,523 B1 * 12/2009 Sosa B66F 9/07563
280/507
D628,505 S * 12/2010 Sayegh D10/106.92
D628,925 S * 12/2010 Sayegh D10/106.92
D631,408 S * 1/2011 Brodsky D12/179
D642,045 S * 7/2011 Sweeney D8/356
D652,708 S * 1/2012 Figureida D8/343
8,413,543 B2 * 4/2013 Tsumiyama B60T 7/102
74/489
8,556,288 B1 * 10/2013 Bale B60D 1/60
280/507
D702,530 S * 4/2014 Hasegawa D8/349
8,783,706 B2 * 7/2014 Drake B60D 1/06
280/441.2
D710,263 S * 8/2014 Rabska D12/162
D728,449 S * 5/2015 Klinck D11/200
9,033,358 B1 * 5/2015 Williamson B60D 1/60
280/507
9,050,720 B2 * 6/2015 Melvin B25J 1/00
D740,183 S * 10/2015 Troutman D12/162
9,199,520 B2 * 12/2015 Weipert B60D 1/07
D747,239 S * 1/2016 Wyers D12/162
D749,162 S * 2/2016 Roth D16/218
D751,627 S * 3/2016 Warner D16/250
D751,755 S * 3/2016 Van Riper D12/223
D752,961 S * 4/2016 Gaibler D8/382
D753,473 S * 4/2016 Pirolo D12/223
D756,469 S * 5/2016 Wu D12/126
9,352,625 B2 * 5/2016 Frantz B60D 1/60
D762,536 S * 8/2016 Wurzer D12/174
D770,061 S * 10/2016 Carn D25/134
D770,345 S * 11/2016 Hult D12/180
2011/0253863 A1 * 10/2011 Weiss B60T 7/102
248/230.4
2014/0303859 A1 * 10/2014 Miki B62M 25/08
701/60

OTHER PUBLICATIONS

Heavy Duty King Pin Lock. Product listing [online]. James King Co., 2015 [retrieved on Nov. 22, 2015]. Retrieved from the Internet: <http://www.jameskingco.com/miscellaneous.php>.

* cited by examiner

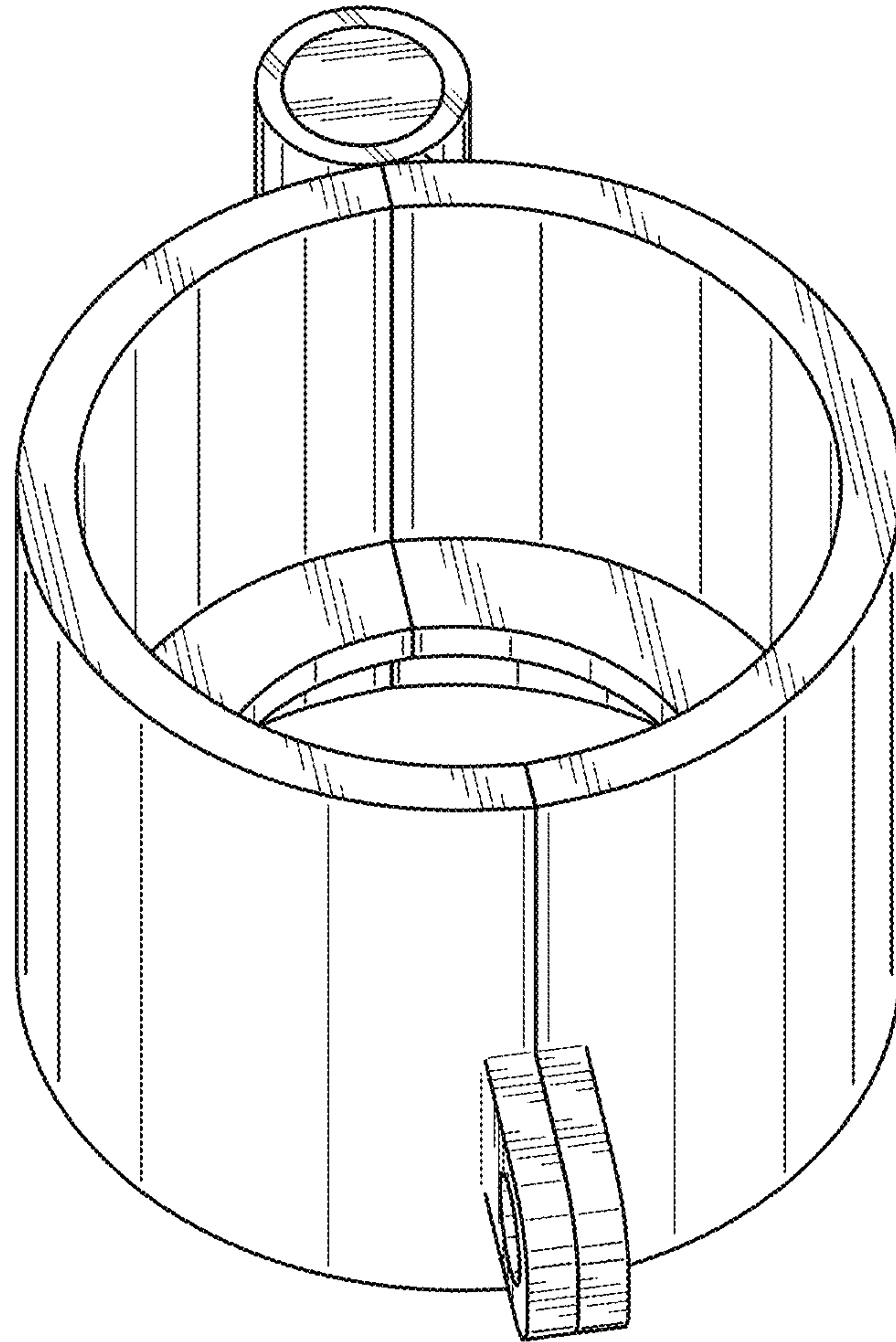


FIG. 1

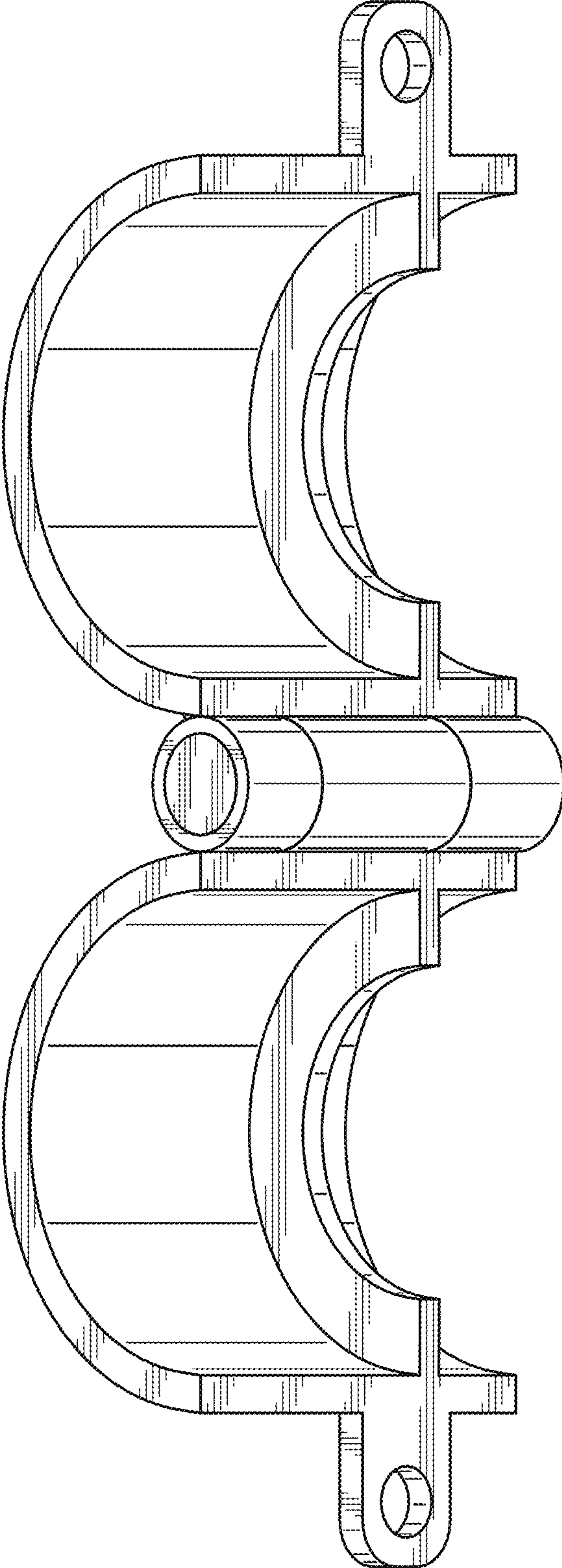


FIG. 2

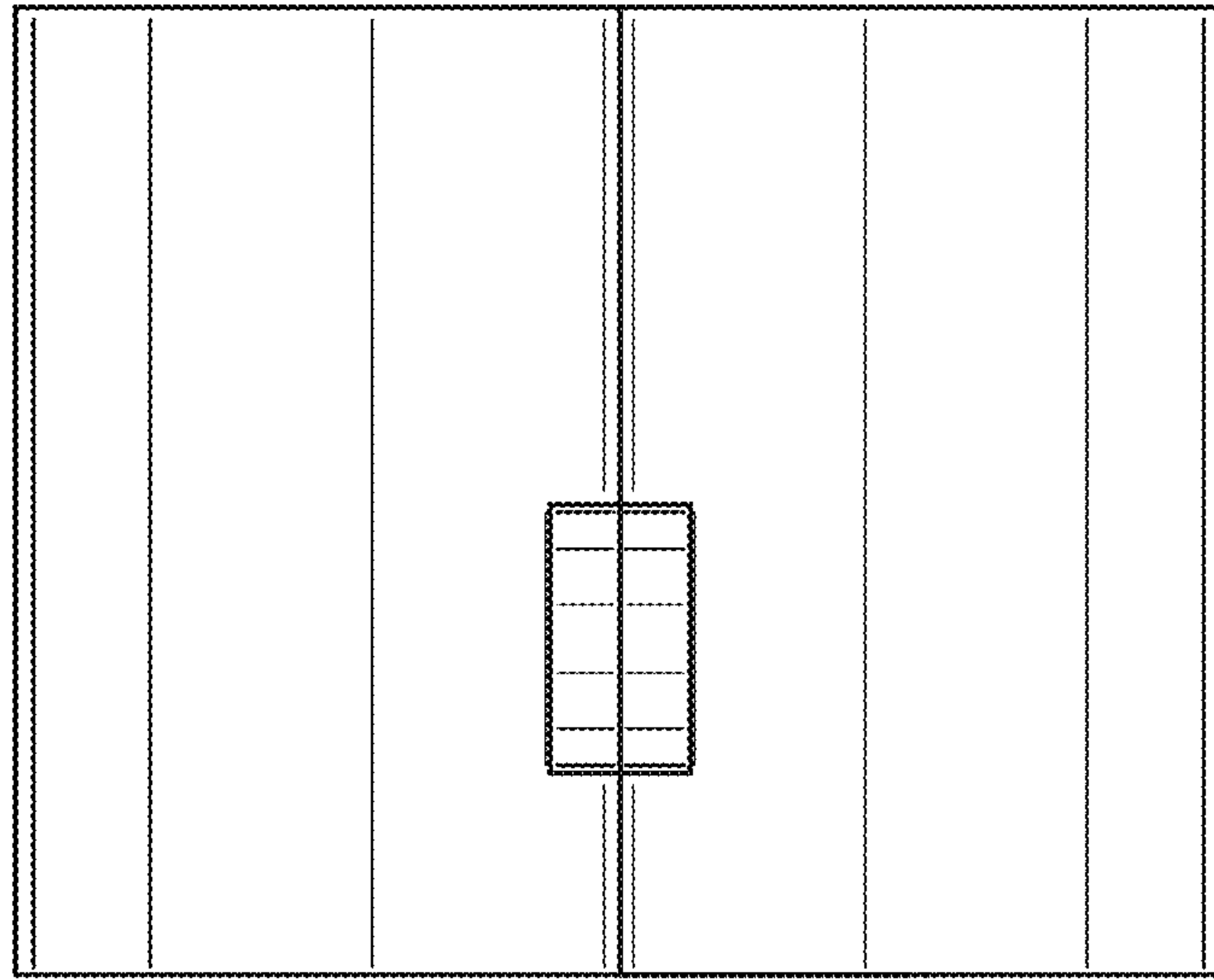


FIG. 3

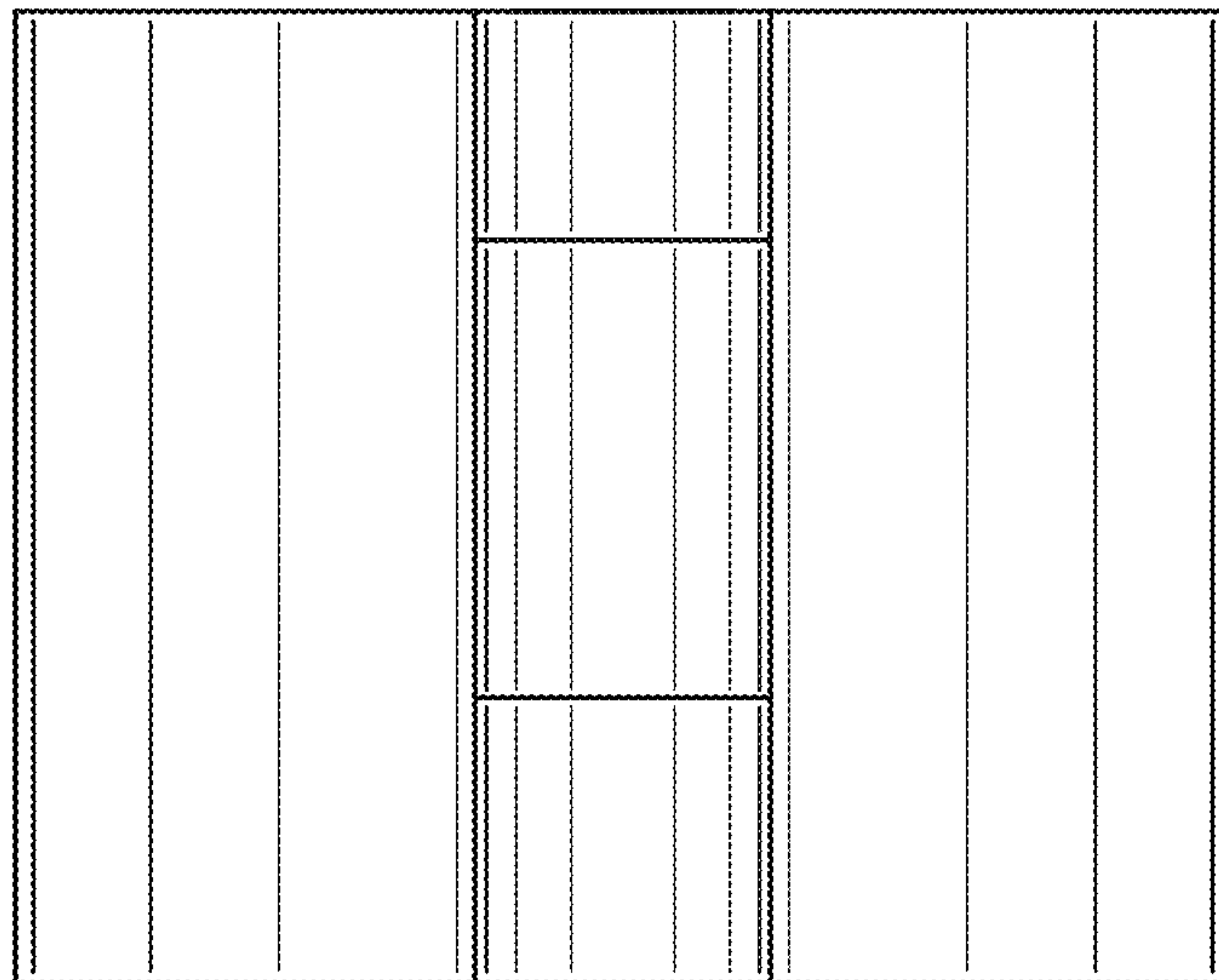


FIG. 4

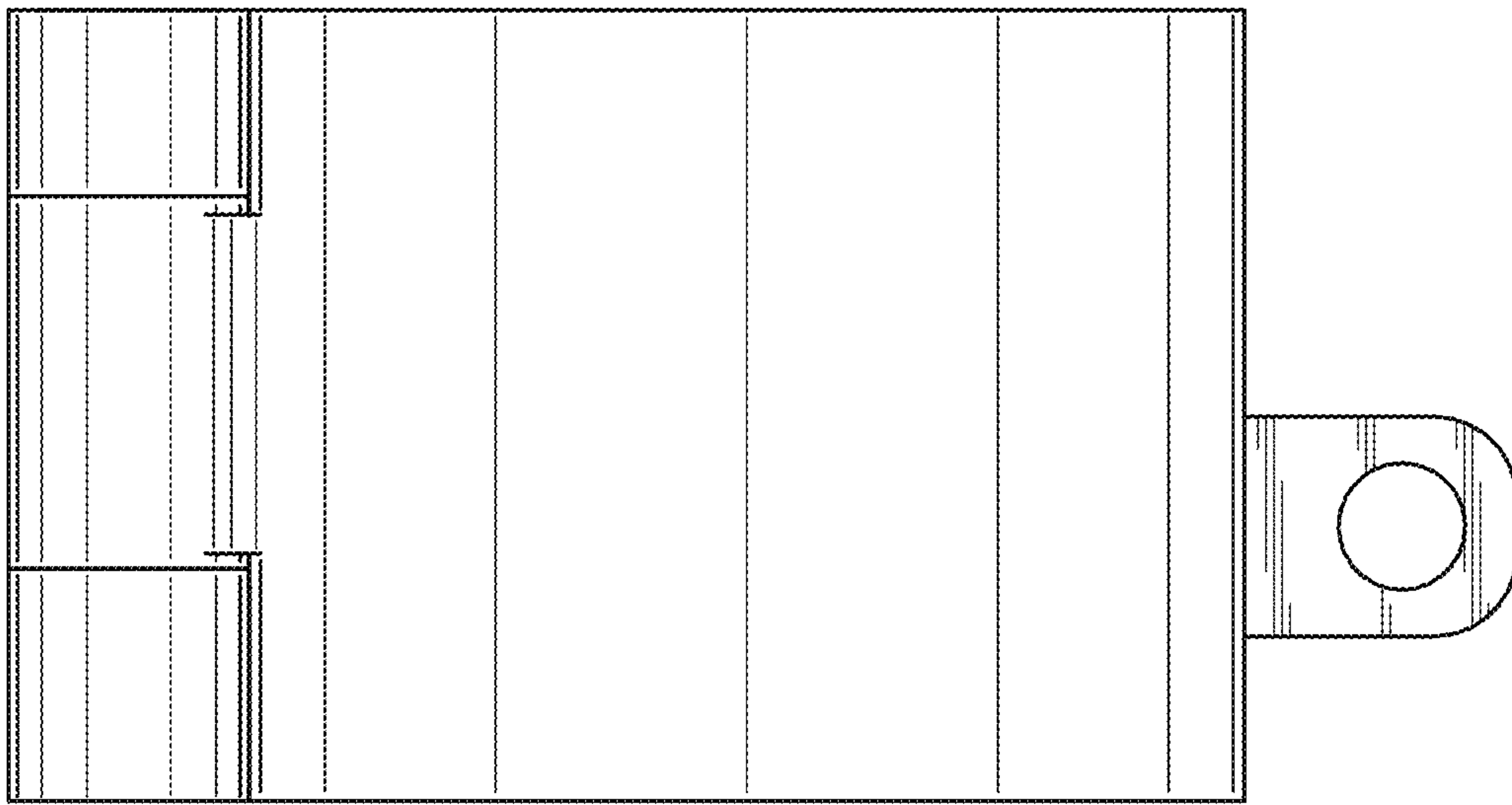


FIG. 5

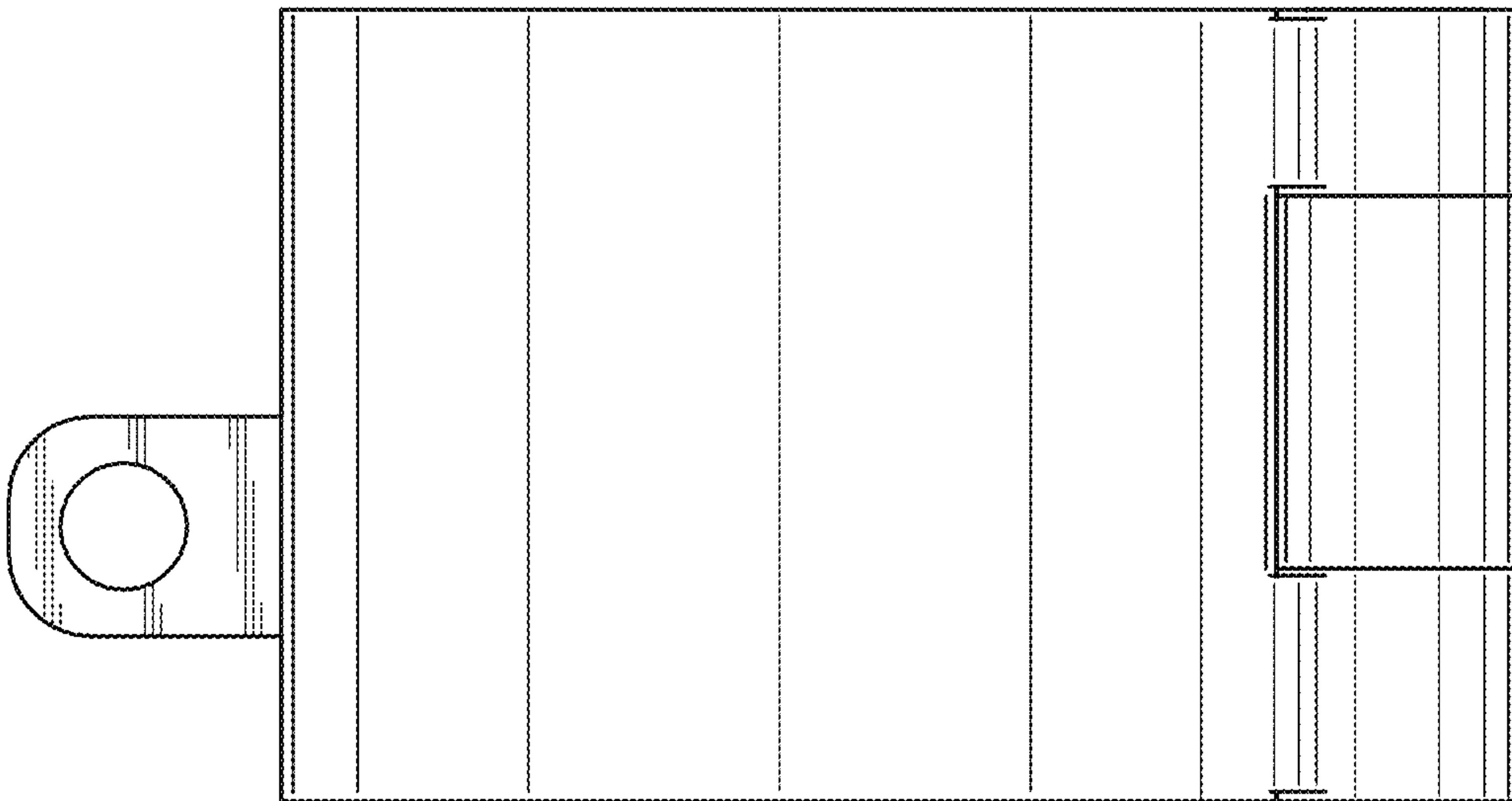


FIG. 6

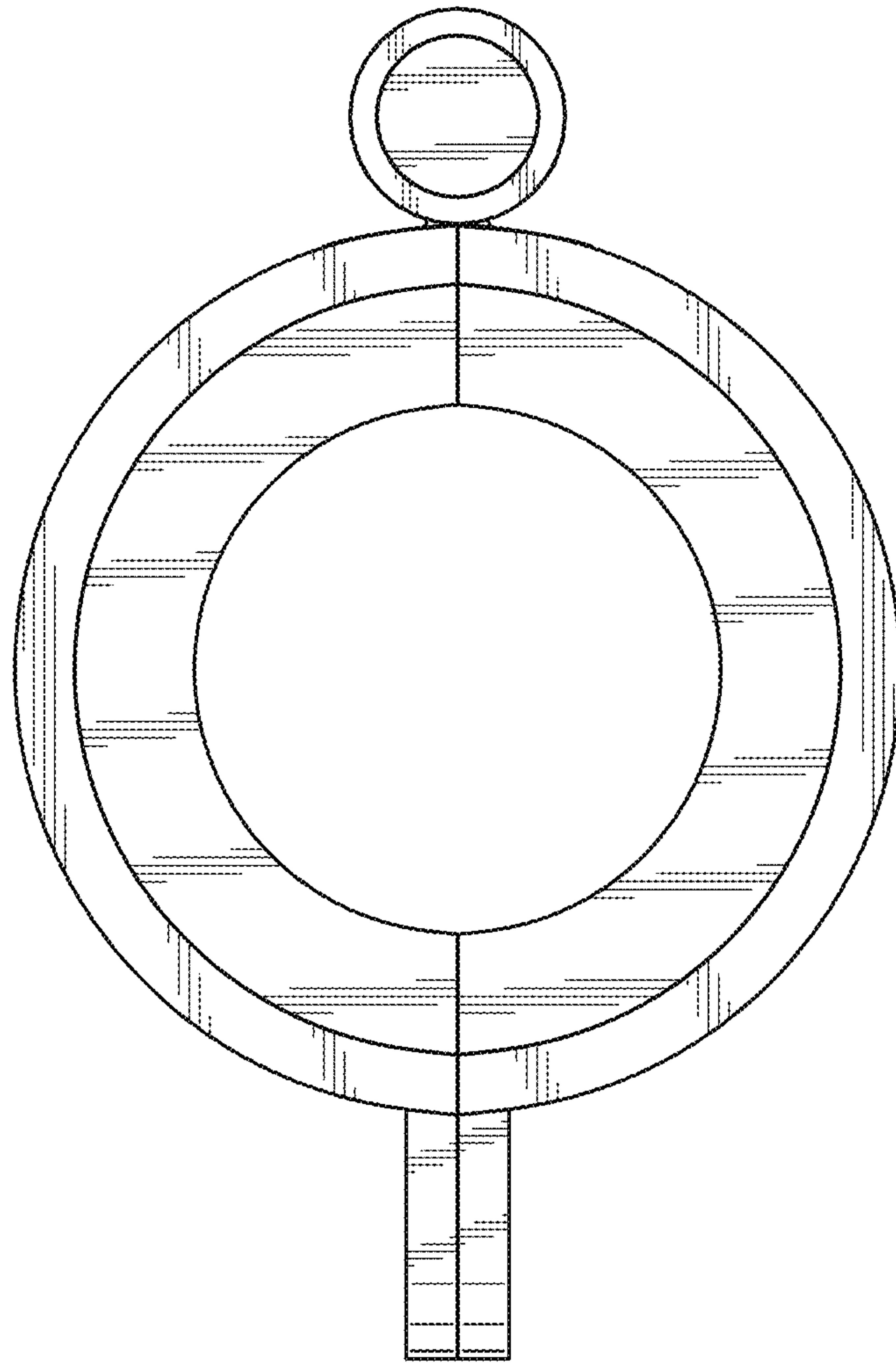


FIG. 7