



US00D785512S

(12) **United States Design Patent**
Kuykendall

(10) **Patent No.:** **US D785,512 S**

(45) **Date of Patent:** **** May 2, 2017**

- (54) **WHEELCHAIR BRAKE**
- (71) Applicant: **Rex O. Kuykendall**, Booneville, AR (US)
- (72) Inventor: **Rex O. Kuykendall**, Booneville, AR (US)
- (**) Term: **15 Years**
- (21) Appl. No.: **29/539,214**
- (22) Filed: **Sep. 11, 2015**
- (51) **LOC (10) Cl.** **12-12**
- (52) **U.S. Cl.**
USPC **D12/133**
- (58) **Field of Classification Search**
USPC D12/128–133
CPC A61G 5/00–5/14
See application file for complete search history.

- 6,374,694 B1 * 4/2002 Chen B60T 7/10
74/489
- 6,647,825 B1 * 11/2003 Lin B60T 7/102
74/489
- 6,655,503 B1 * 12/2003 Moody A61G 5/10
188/2 F
- 6,854,754 B1 * 2/2005 Easley, Jr. A61G 5/10
188/2 F
- D506,419 S * 6/2005 Coster D12/133
- D516,471 S * 3/2006 Zellers D12/133
- 7,320,473 B1 * 1/2008 Bennett B60T 1/04
188/2 F
- D573,921 S * 7/2008 Guzman D12/133
- 2005/0000755 A1 * 1/2005 Ikegami B60T 11/046
188/26
- 2012/0198957 A1 8/2012 Feldt et al.
- 2012/0241265 A1 * 9/2012 Ooyama A61G 5/1018
188/2 F
- 2013/0008751 A1 1/2013 Dunlap, III

* cited by examiner

Primary Examiner — Charles Hanson
(74) *Attorney, Agent, or Firm* — Robert C. Montgomery;
Montgomery Patent & Design, LP.

(56) **References Cited**

U.S. PATENT DOCUMENTS

- 3,529,700 A 9/1970 Marshall
- 5,141,242 A 8/1992 Henzel
- 5,280,938 A * 1/1994 Berry A61G 5/1016
188/2 F
- 5,346,039 A * 9/1994 Pfisterer A61G 5/1018
188/2 F
- 5,355,977 A * 10/1994 Kuschall A61G 5/1018
188/2 F
- 5,358,266 A * 10/1994 Roth A61G 5/1018
188/2 F
- 5,472,066 A * 12/1995 Schillo A61G 5/1018
188/2 F
- 5,667,236 A 9/1997 Murphy
- 5,678,665 A * 10/1997 Debreczeni B60T 11/16
188/196 M
- D401,541 S * 11/1998 Ahlbertz D12/133
- 5,894,912 A 4/1999 Dobben
- D412,869 S * 8/1999 Bissell D12/131

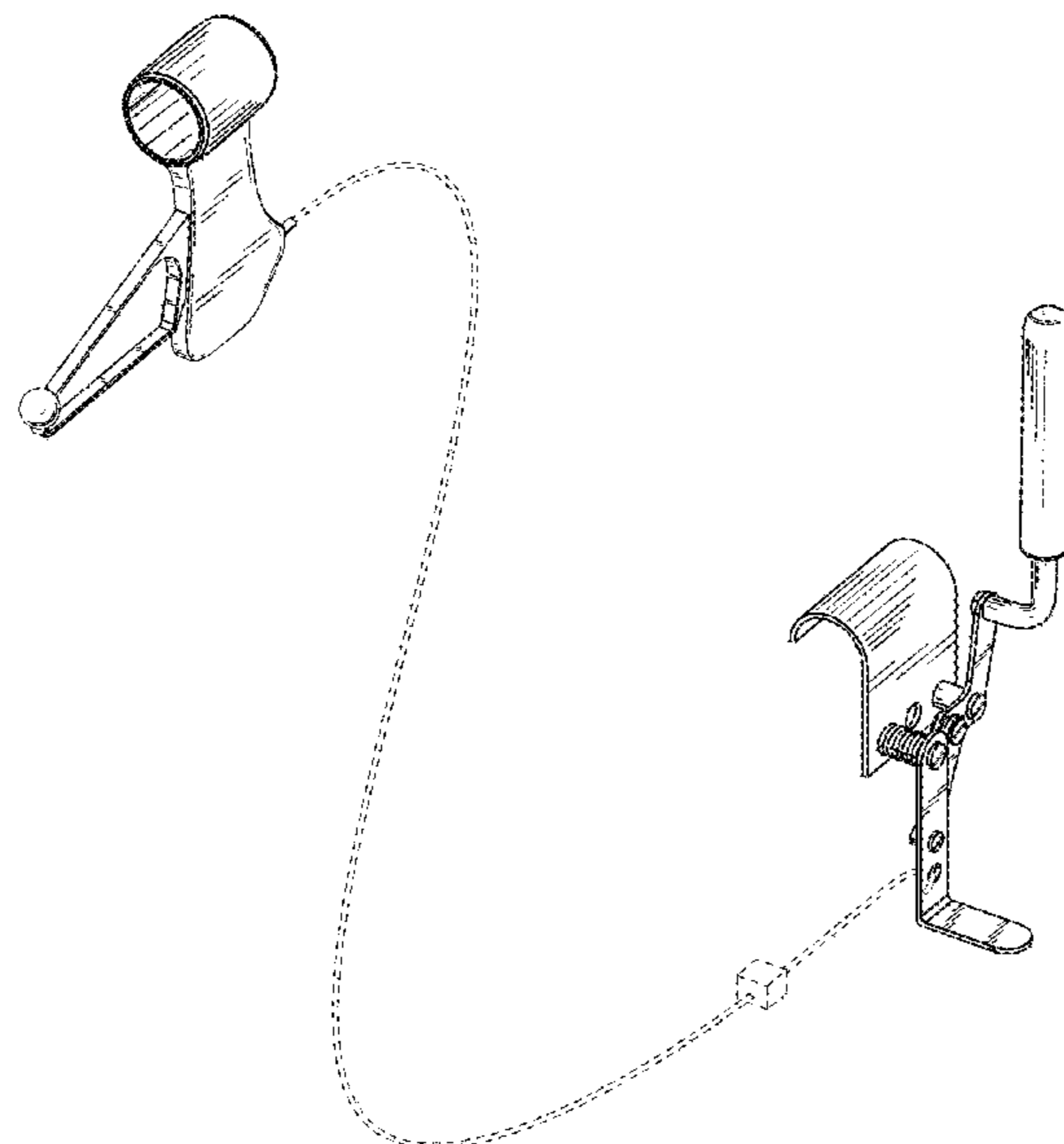
(57) **CLAIM**

The ornamental design for a wheelchair brake, as shown and described.

DESCRIPTION

FIG. 1 is a perspective back side view of the wheelchair brake, showing my new design;
FIG. 2 is a front side view thereof;
FIG. 3 is a back side view thereof;
FIG. 4 is a right side view thereof;
FIG. 5 is a left side view thereof;
FIG. 6 is a top side view thereof; and,
FIG. 7 is a bottom side view thereof.
The broken lines indicate boundary areas and form no part of the claimed design.

1 Claim, 7 Drawing Sheets



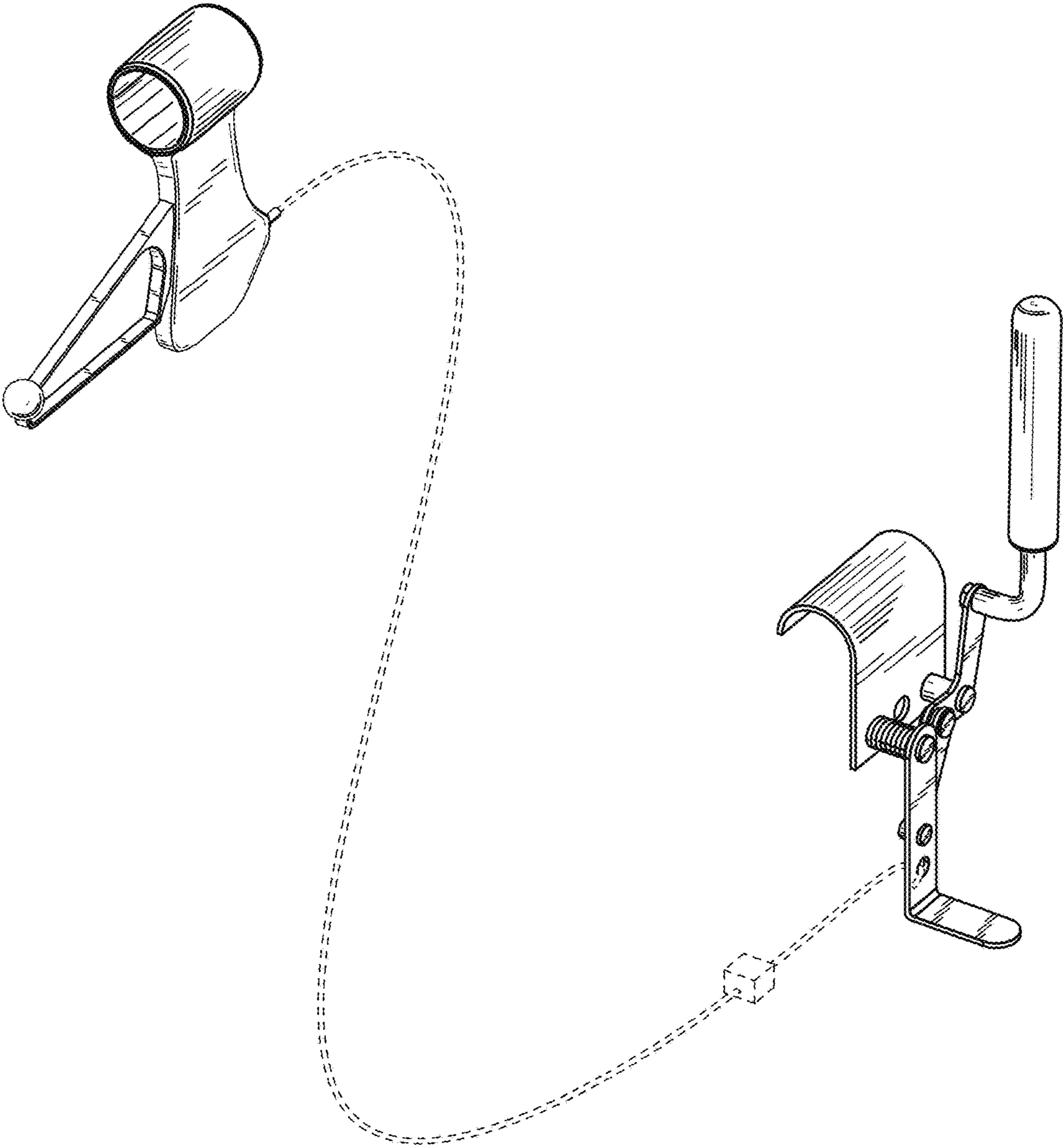


FIG. 1

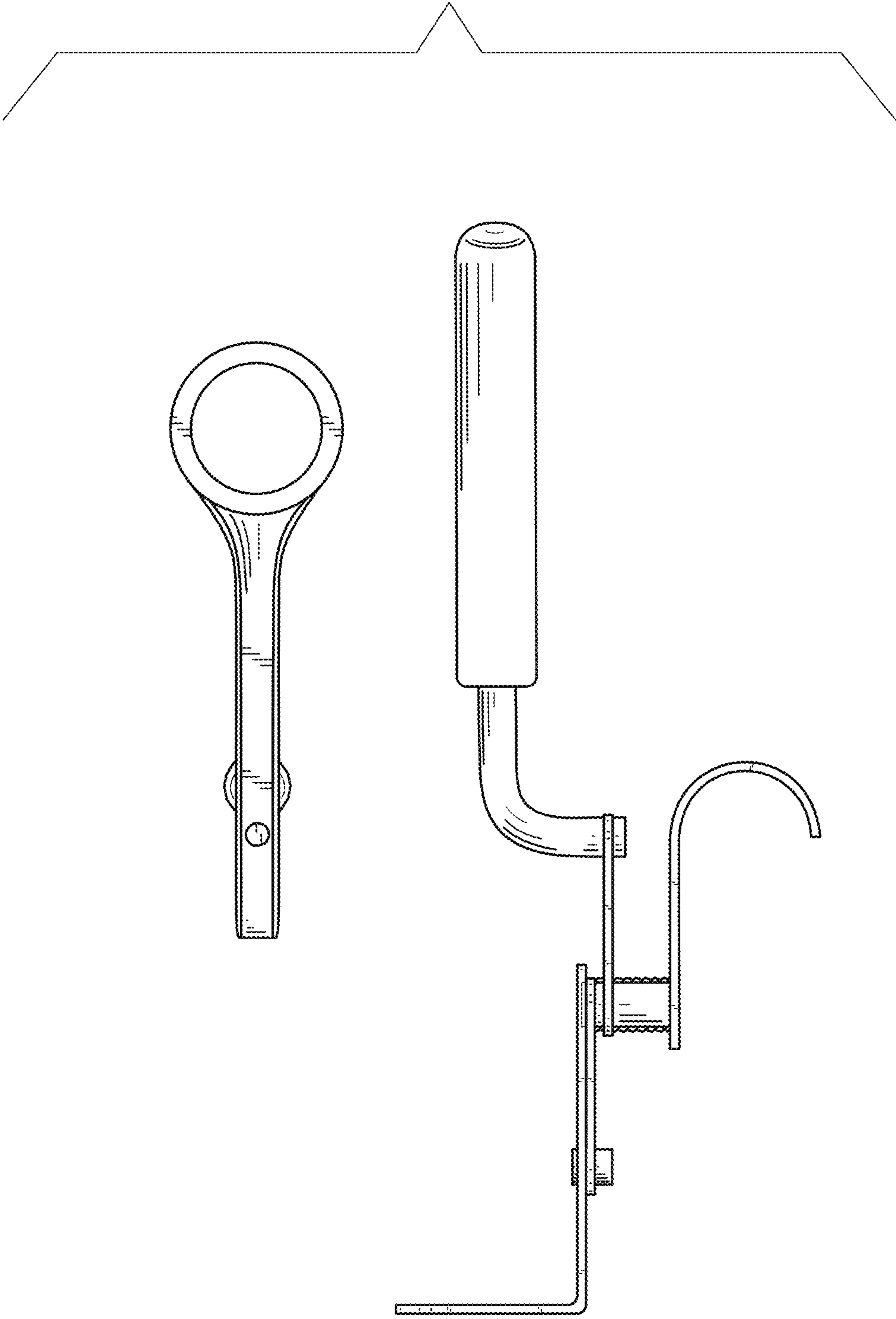


FIG. 2

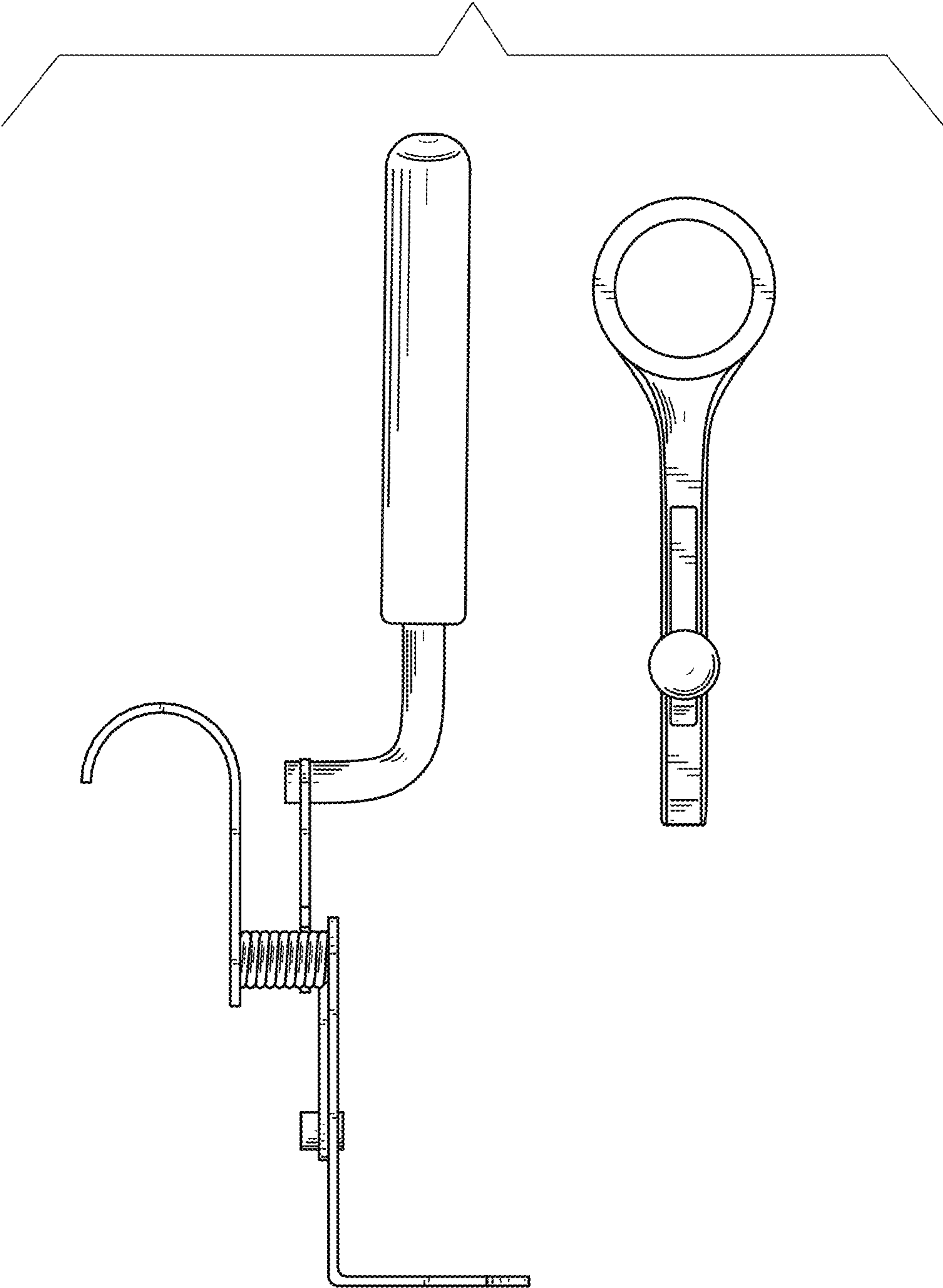


FIG. 3

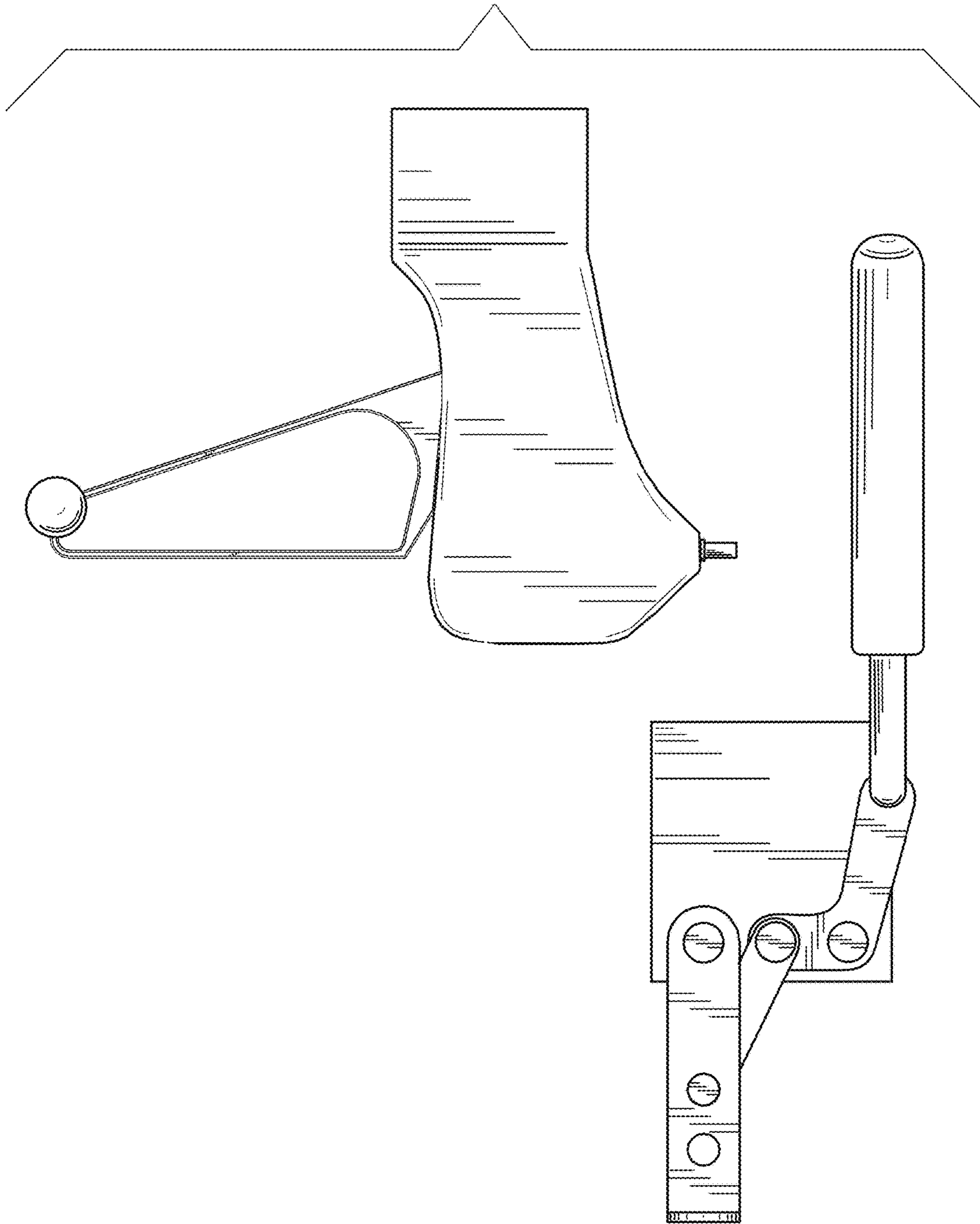


FIG. 4

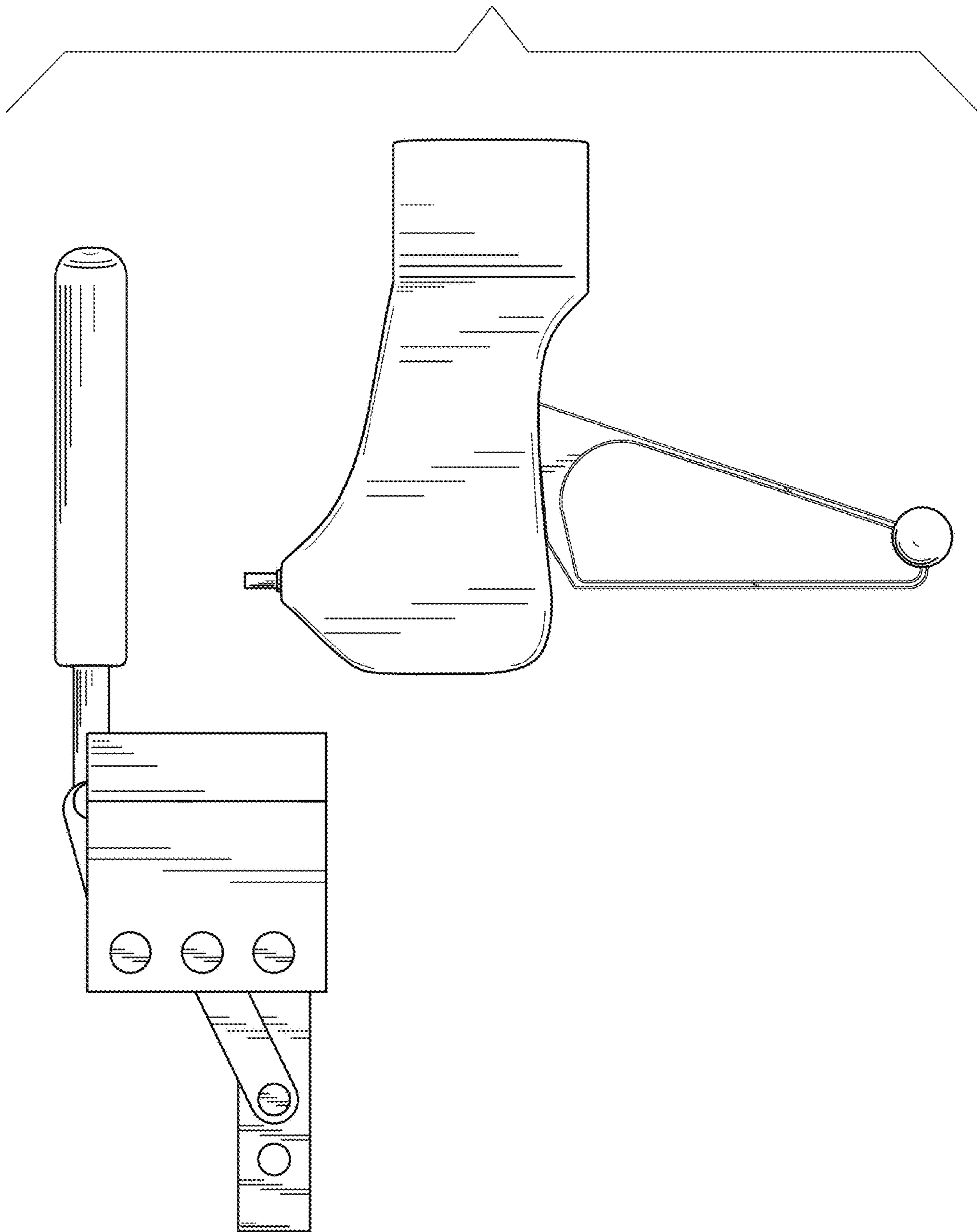


FIG. 5

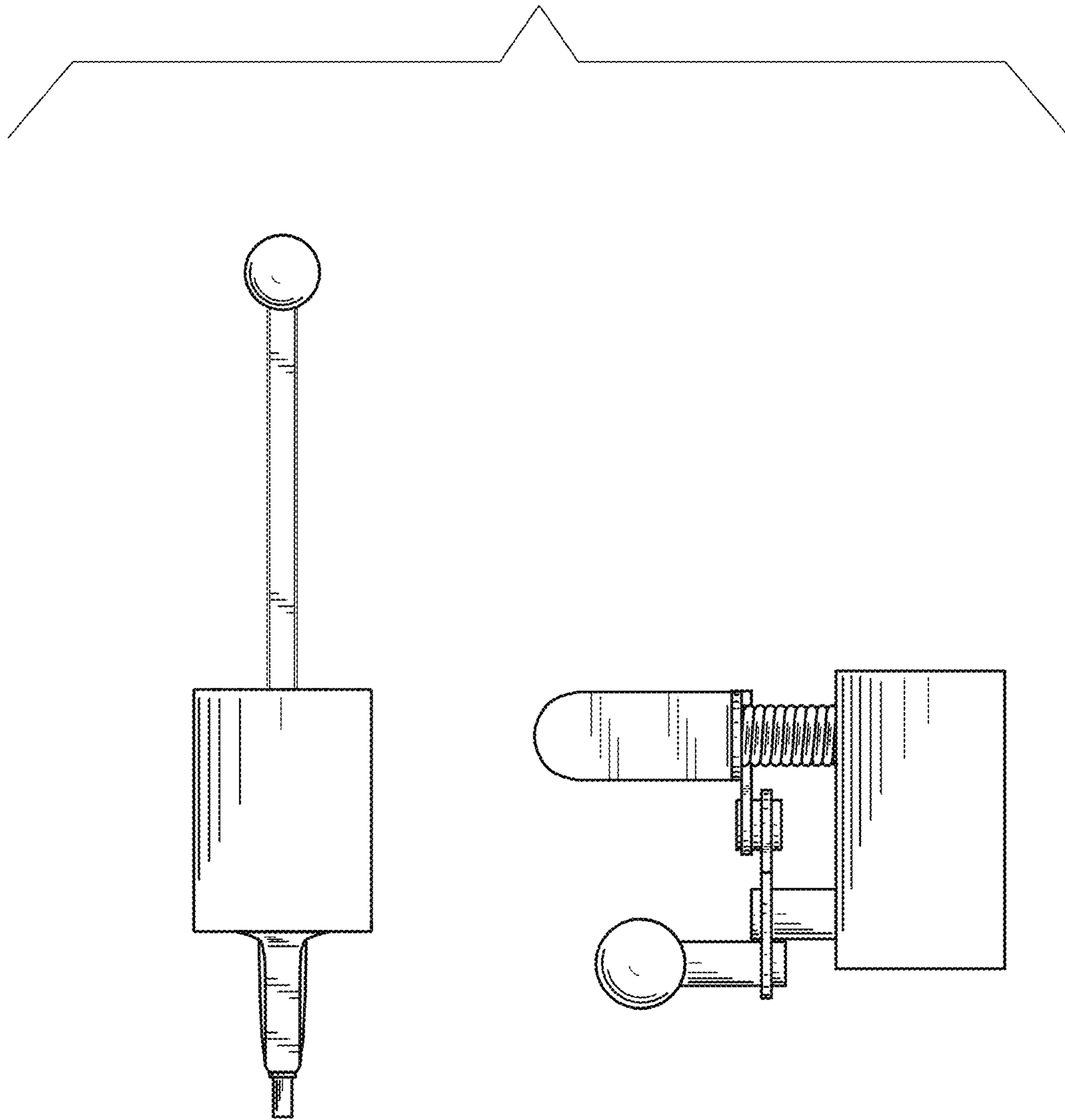


FIG. 6

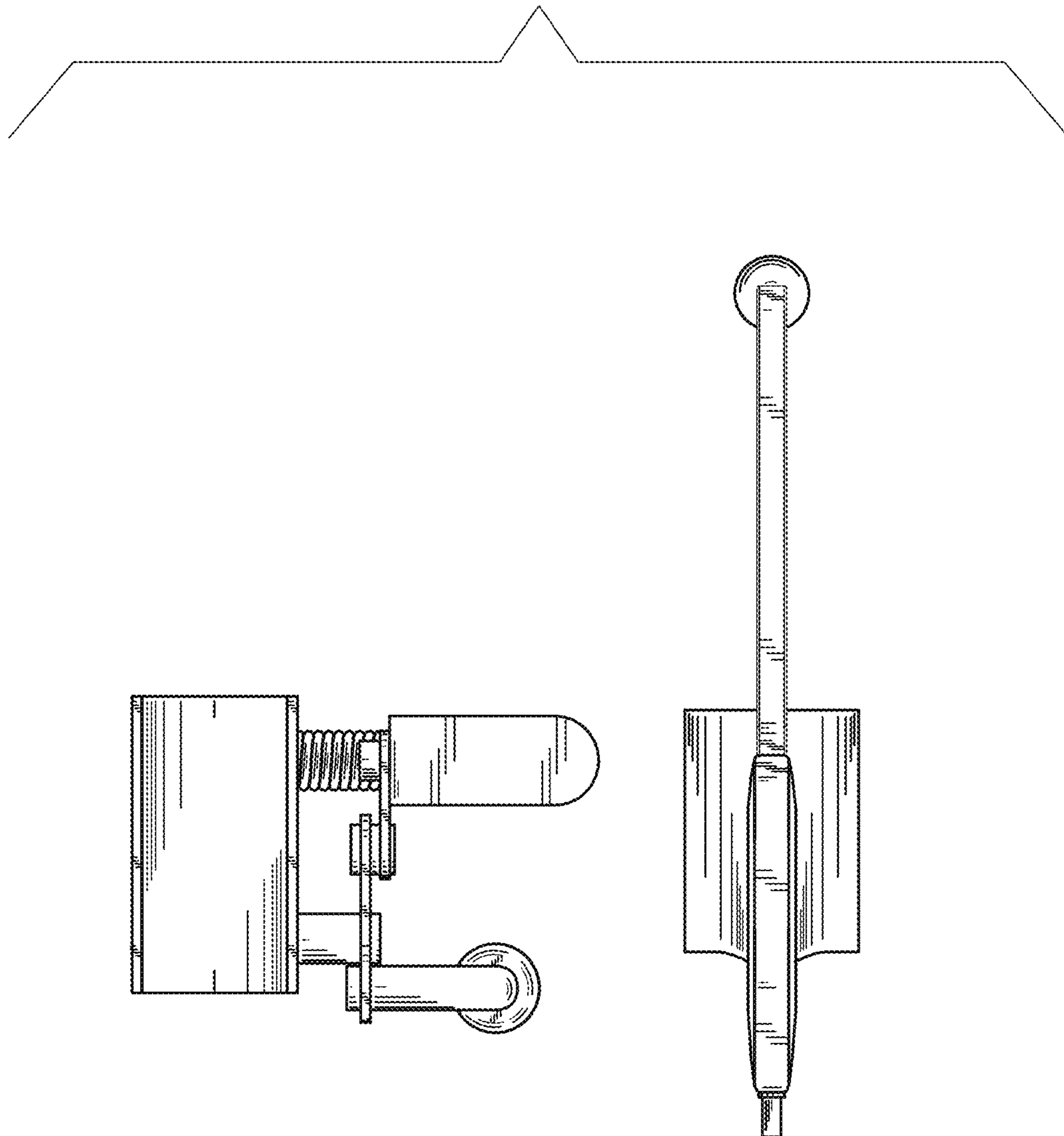


FIG. 7