



US00D785509S

(12) **United States Design Patent**
Juhlin et al.

(10) **Patent No.:** **US D785,509 S**

(45) **Date of Patent:** **** May 2, 2017**

(54) **BICYCLE FRAME**

(71) Applicant: **Inter IKEA Systems B.V.**, Delft (NL)

(72) Inventors: **Oskar Juhlin**, Bromma (SE); **Kristian Eke**, Bromma (SE); **Jan Puranen**, Bromma (SE)

(73) Assignee: **Inter IKEA Systems B.V.** (NL)

(**) Term: **15 Years**

(21) Appl. No.: **29/533,300**

(22) Filed: **Jul. 15, 2015**

(30) **Foreign Application Priority Data**

Jan. 16, 2015 (EM) 002614735

(51) **LOC (10) Cl.** **12-11**

(52) **U.S. Cl.**
USPC **D12/114; D12/111**

(58) **Field of Classification Search**
USPC D12/114, 111, 110, 117, 108, 112, 113
CPC B62J 1/08; B62K 3/02; B62K 3/00; B62K 3/14; B62K 19/30; B62K 11/02
See application file for complete search history.

(56) **References Cited**

U.S. PATENT DOCUMENTS

D308,500 S	*	6/1990	Berg	D12/111
D325,009 S	*	3/1992	O'Donovan	D12/111
D343,147 S	*	1/1994	Cognata	D12/111
D343,598 S	*	1/1994	Southwell	D12/111
D517,452 S	*	3/2006	Hickman	D12/111

D533,116 S	*	12/2006	Sroufe	D12/110
D606,908 S	*	12/2009	Grimaldi	D12/111
D691,927 S	*	10/2013	Lumpkin	D12/111
D692,801 S	*	11/2013	Lumpkin	D12/117
D719,880 S	*	12/2014	Juarez	D12/111
D724,498 S	*	3/2015	Eagleman	D12/111
D726,075 S	*	4/2015	D'Aluisio	D12/111
D734,692 S	*	7/2015	D'Aluisio	D12/111
D735,089 S	*	7/2015	Gauthier	D12/111
D738,261 S	*	9/2015	Silva	D12/111
D742,284 S	*	11/2015	Strickland	D12/111

* cited by examiner

Primary Examiner — George D Kirschbaum

Assistant Examiner — Clese Moore, Jr.

(74) *Attorney, Agent, or Firm* — Condo Roccia Koptiw LLP

(57) **CLAIM**

The ornamental design for a bicycle frame, as shown and described.

DESCRIPTION

FIG. 1 is a perspective view of a bicycle frame for our new design;
FIG. 2 is a first side view of the bicycle frame of FIG. 1;
FIG. 3 is a second side view of the bicycle frame of FIG. 1;
FIG. 4 is a bottom view of the bicycle frame of FIG. 1;
FIG. 5 is a top view of the bicycle frame of FIG. 1
FIG. 6 is a third side view of the bicycle frame of FIG. 1;
and,
FIG. 7 is a fourth side view of the bicycle frame of FIG. 1.

1 Claim, 7 Drawing Sheets

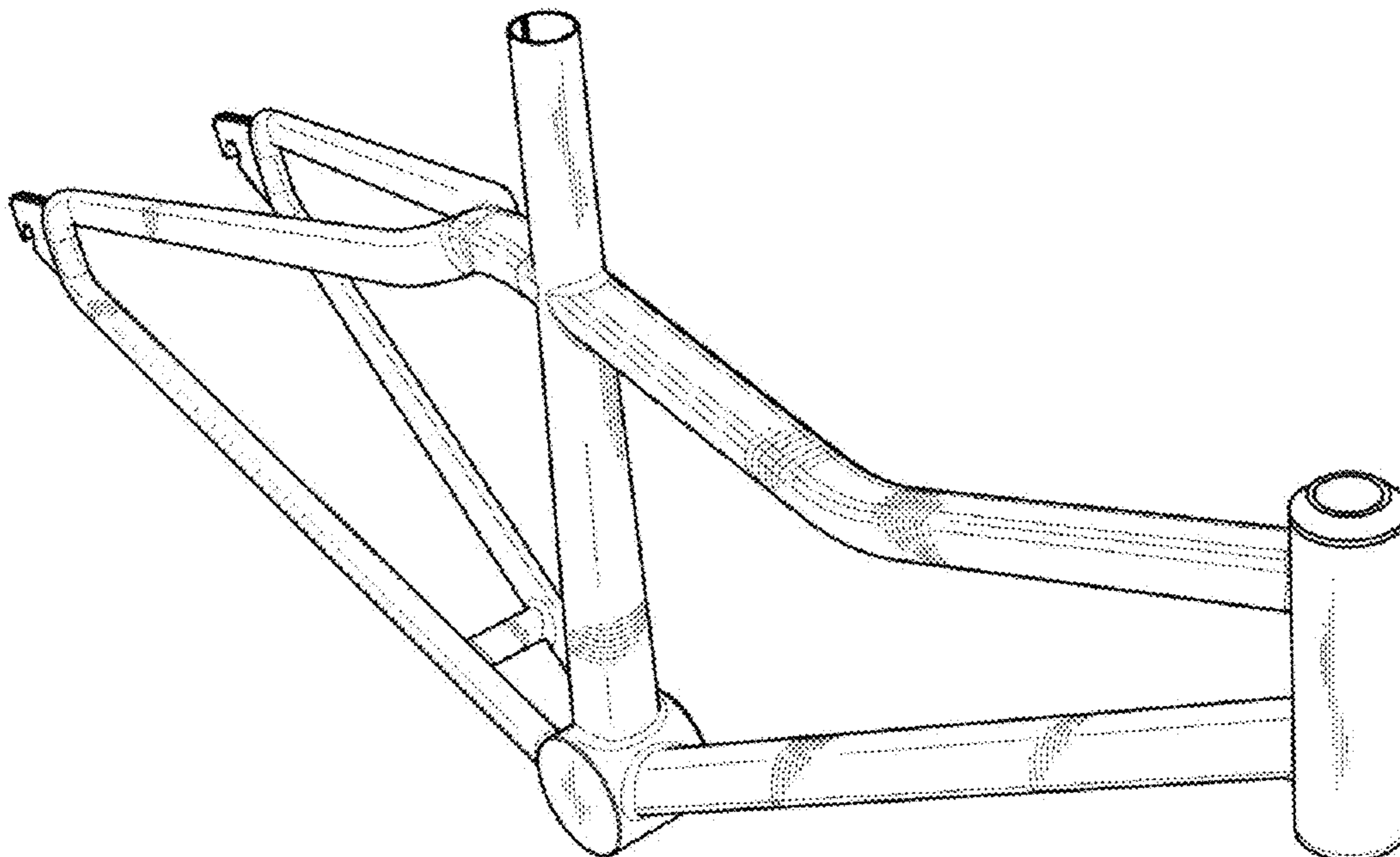


FIG. 1

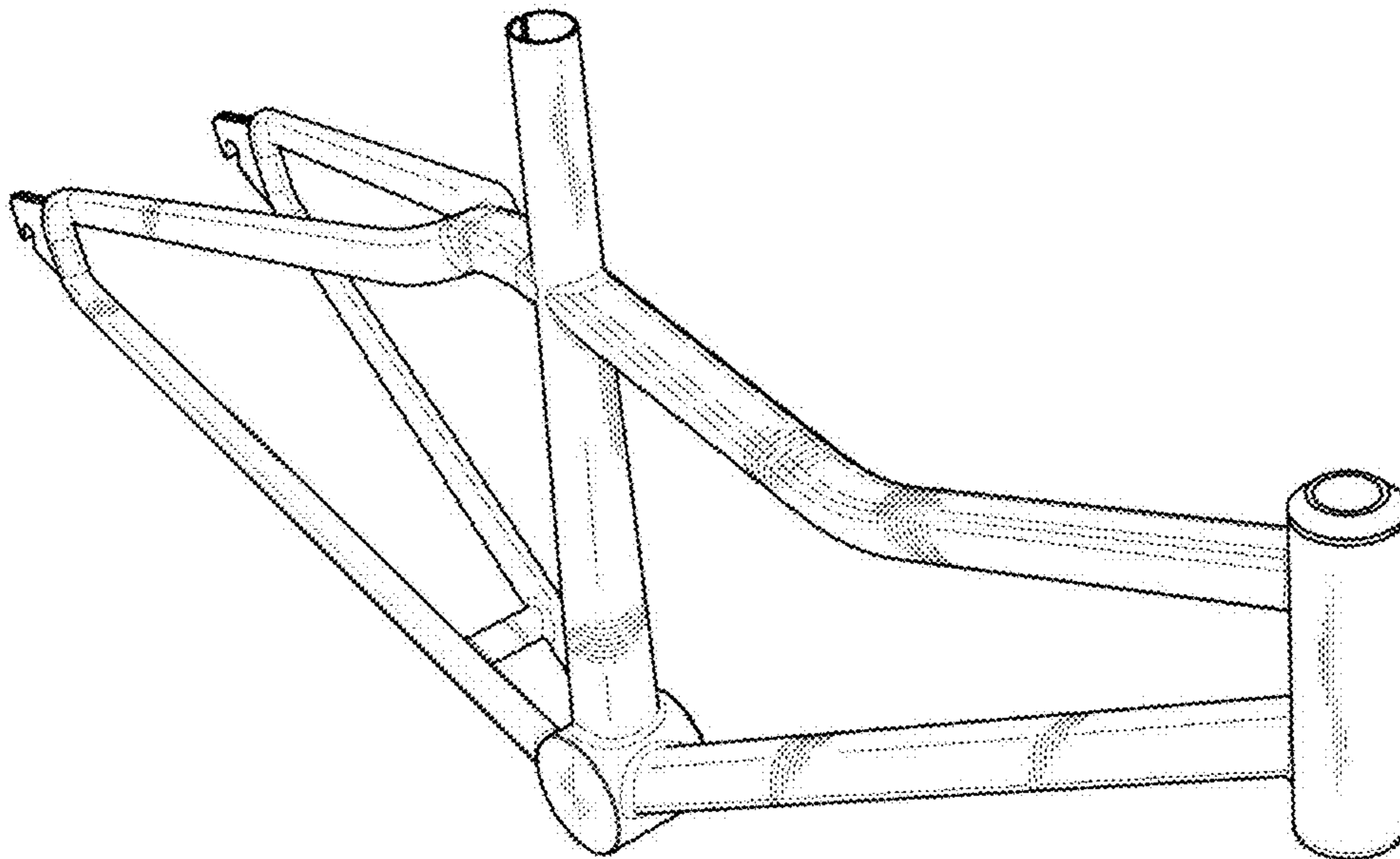


FIG. 2

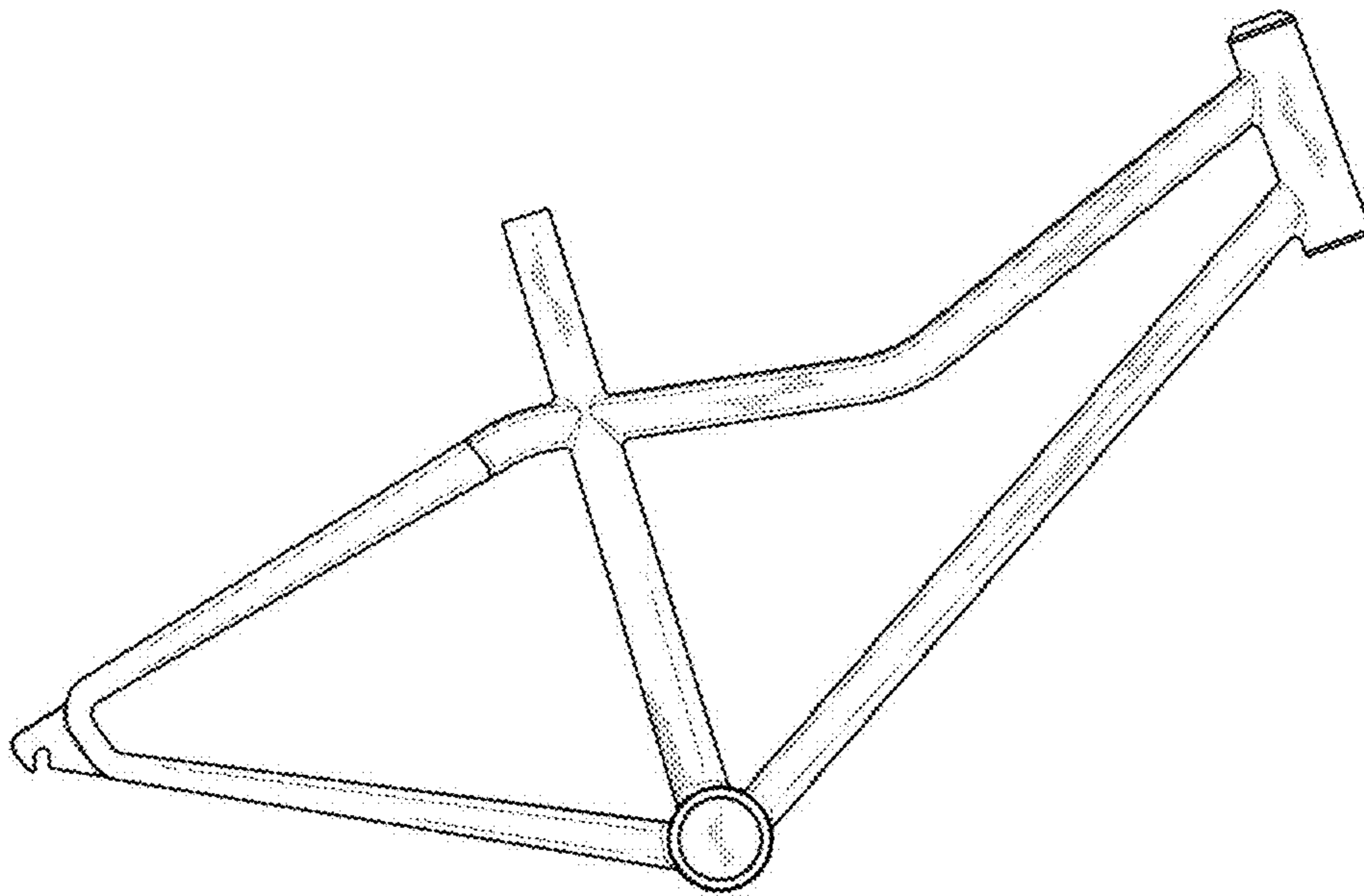


FIG. 3

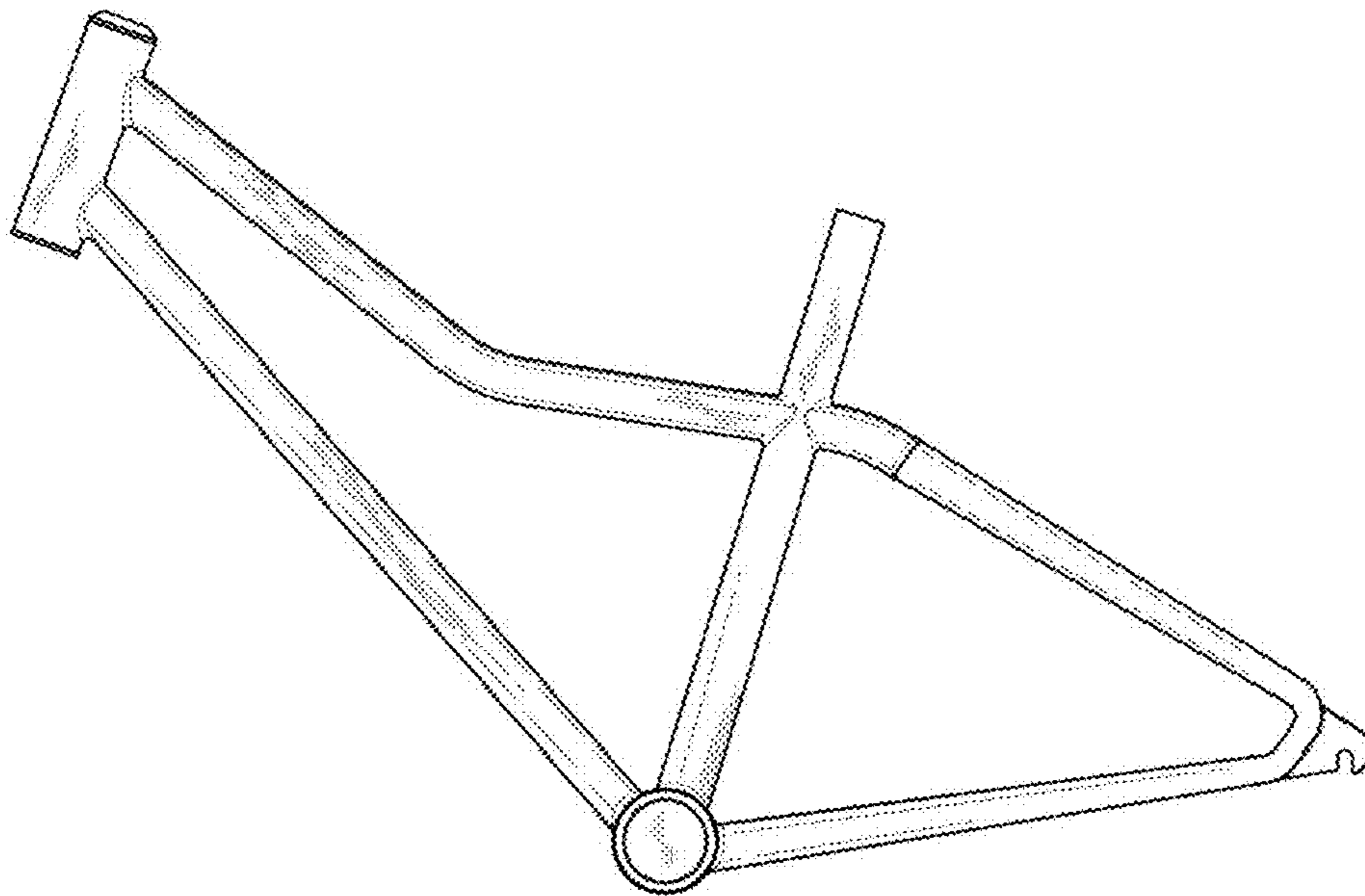


FIG. 4

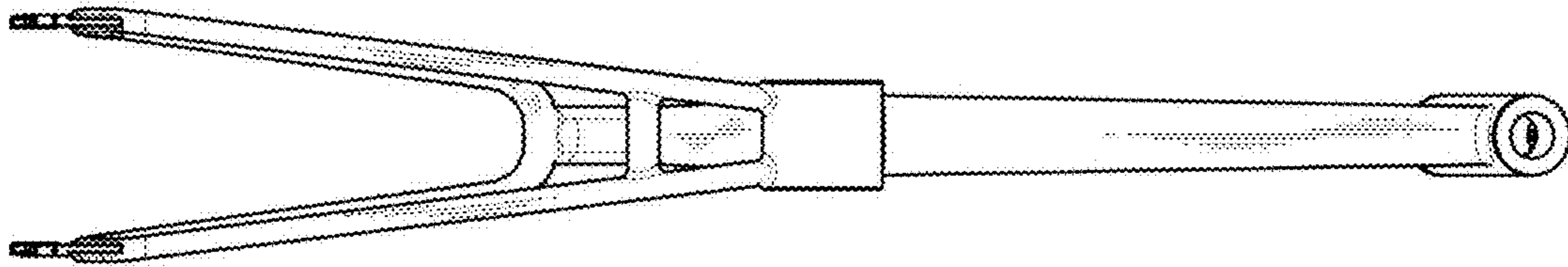


FIG. 5

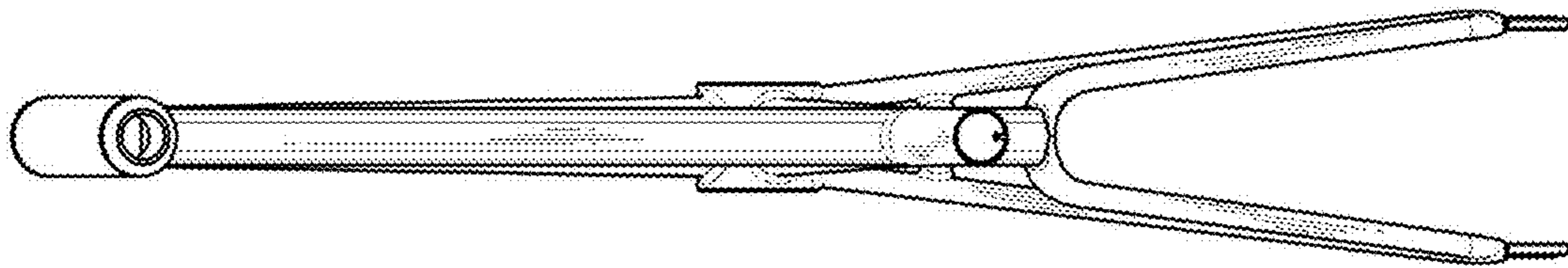


FIG. 6

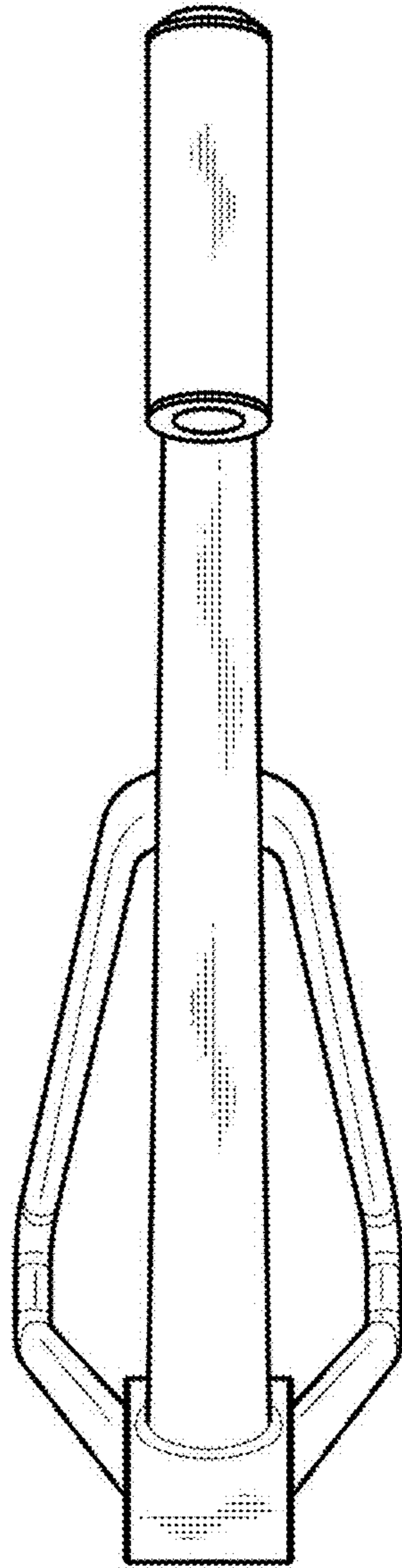


FIG. 7

