



US00D785508S

(12) **United States Design Patent**
Coleman

(10) **Patent No.:** **US D785,508 S**

(45) **Date of Patent:** **** May 2, 2017**

(54) **ELECTRICALLY-POWERED MOBILE KIOSK**

(71) Applicant: **Alva Coleman**, New Orleans, LA (US)

(72) Inventor: **Alva Coleman**, New Orleans, LA (US)

(**) Term: **15 Years**

(21) Appl. No.: **29/549,629**

(22) Filed: **Dec. 28, 2015**

(51) **LOC (10) Cl.** **12-11**

(52) **U.S. Cl.**

USPC **D12/112**; D34/18

(58) **Field of Classification Search**

USPC D12/101, 102, 105, 111, 112, 117;

D7/334; D21/419, 424; D34/13, 18, 20

CPC B62D 21/11; B62D 29/043; B62D 31/00;

B62D 49/00; B62D 61/065; B62K 5/02;

B62K 5/025; B62K 5/05; B62K 7/00;

B62K 17/00; B62K 2204/00; B62B

5/0003; B62B 5/0079

See application file for complete search history.

(56) **References Cited**

U.S. PATENT DOCUMENTS

1,962,454 A * 6/1934 Meanor A47B 31/02

126/268

3,748,437 A * 7/1973 Keeshin A47B 31/02

126/268

D276,754 S * 12/1984 Smith D34/20

4,976,112 A * 12/1990 Roberts A23G 3/28

62/457.9

D322,500 S * 12/1991 Van Stokkum D34/13

D327,240 S * 6/1992 Jackson D12/112

5,123,668 A * 6/1992 Ligas B62K 27/12

280/204

D383,094 S * 9/1997 Mast D12/102

D486,425 S * 2/2004 Li D12/112

D746,177 S * 12/2015 Broen D12/102

2002/0180228 A1* 12/2002 Poarch B60P 3/0257

296/22

2009/0184488 A1* 7/2009 Dixon B62K 3/005

280/202

OTHER PUBLICATIONS

“Ice Cream Bike Business.” Icycle Tricycles., Dec. 20, 2013 [online], [retrieved on Jan. 24, 2017]. Retrieved from the Internet <URL: <http://icetrikes.com/ice-cream-bike/>>.*

* cited by examiner

Primary Examiner — Darlington Ly

(74) *Attorney, Agent, or Firm* — Keaty Law Firm LLC

(57) **CLAIM**

The design for an electrically-powered mobile kiosk, as shown and described.

DESCRIPTION

FIG. 1 is a perspective view of the design for an electrically-powered mobile kiosk according to the present invention.

FIG. 2 is a side view of the electrically-powered mobile kiosk shown in FIG. 1.

FIG. 3 is a side view opposite the view of FIG. 2.

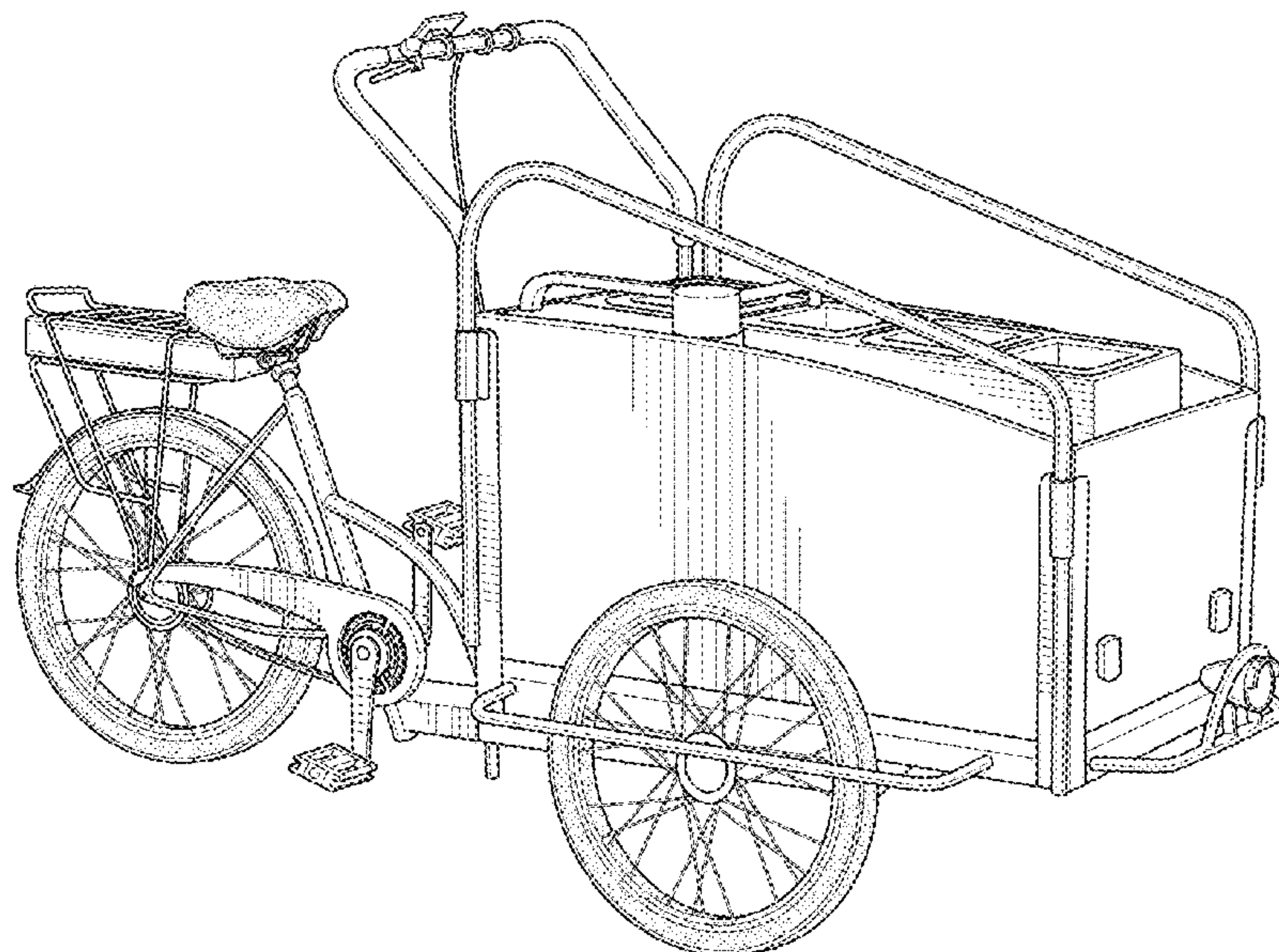
FIG. 4 is a back view of the electrically-powered mobile kiosk.

FIG. 5 is a front view of the electrically-powered mobile kiosk, taken opposite the view of FIG. 4.

FIG. 6 is a top view of the electrically-powered mobile kiosk; and,

FIG. 7 is a bottom view of the electrically-powered mobile kiosk, taken opposite the view of FIG. 6.

1 Claim, 6 Drawing Sheets



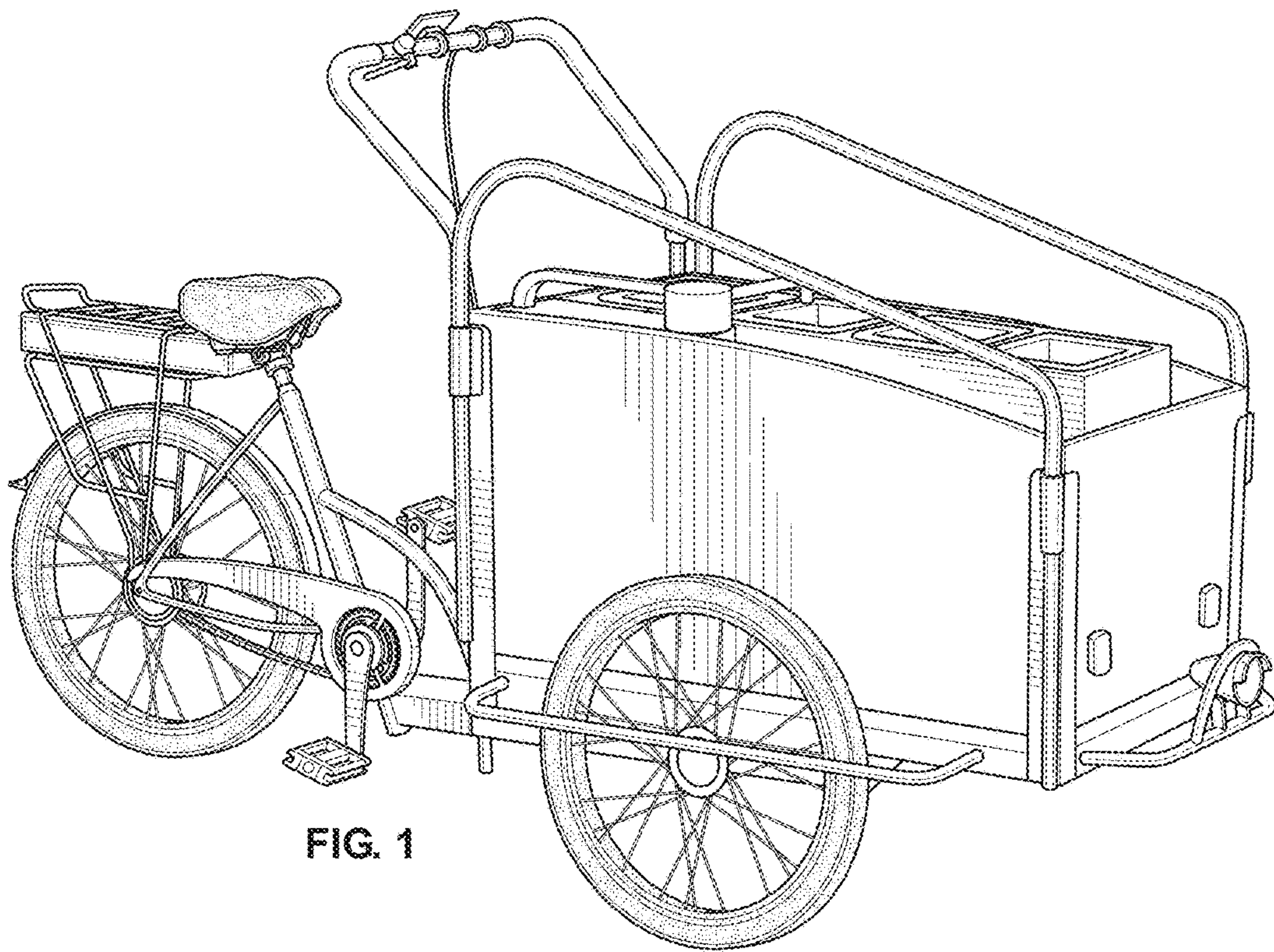


FIG. 1

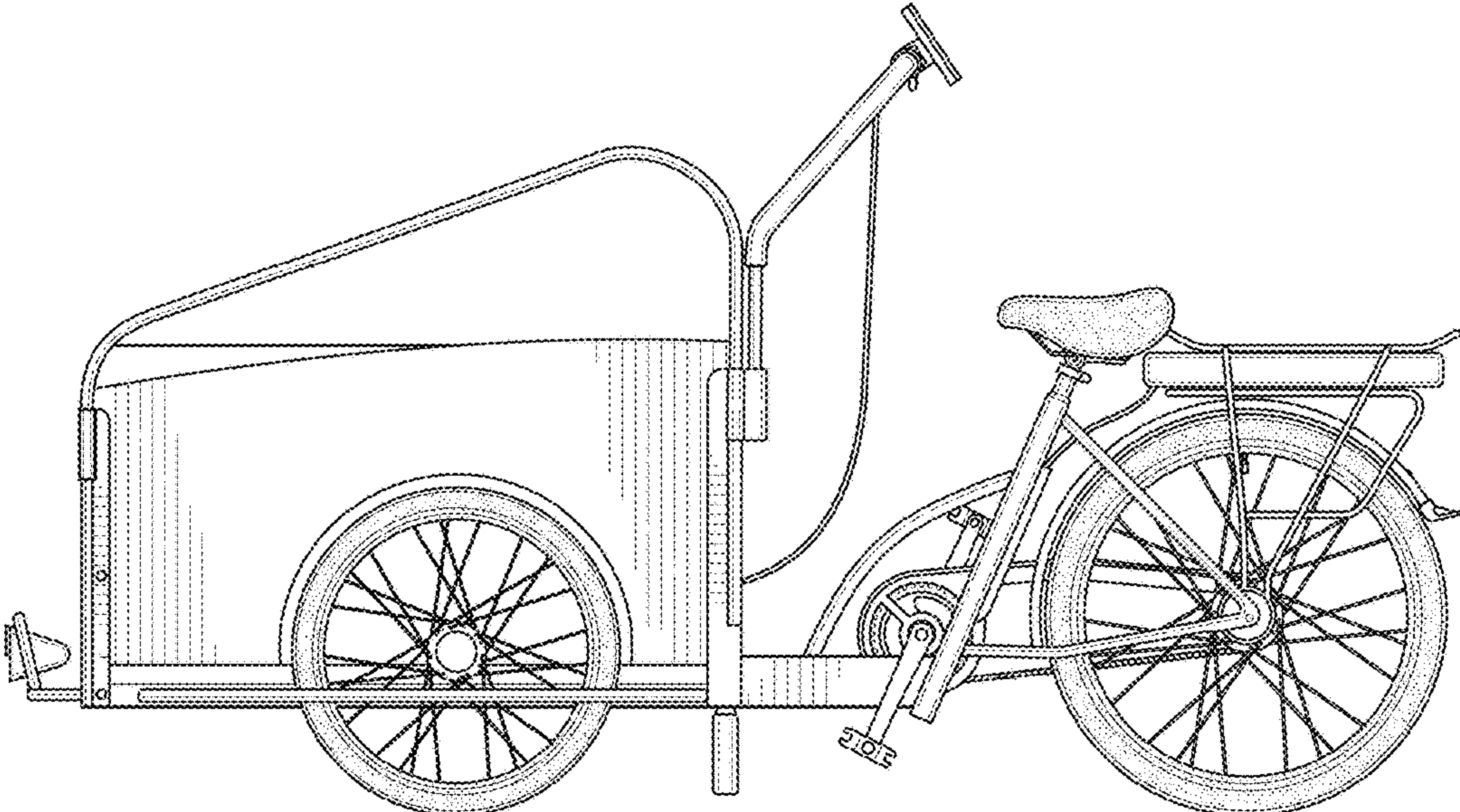


FIG. 2

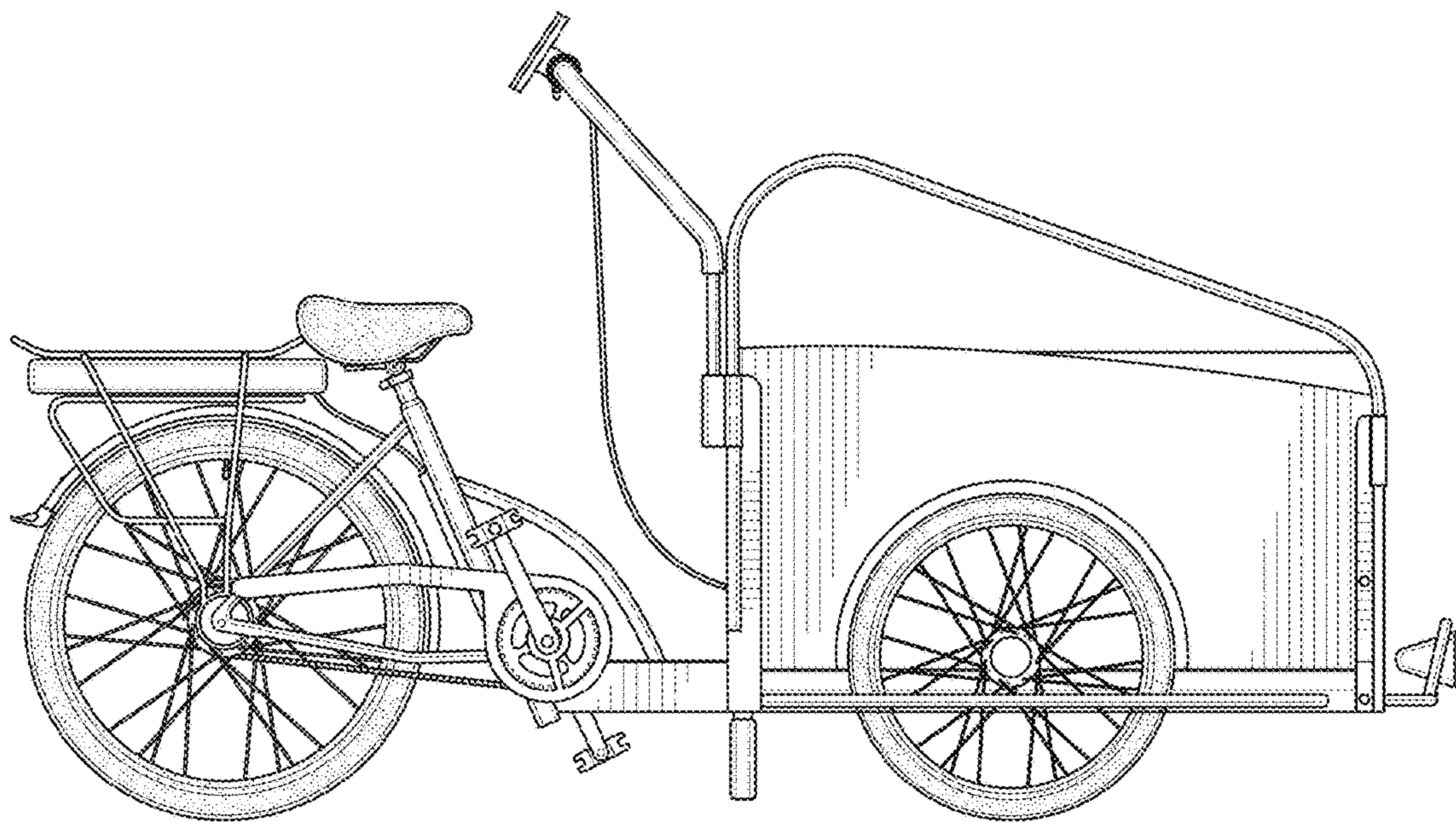


FIG. 3

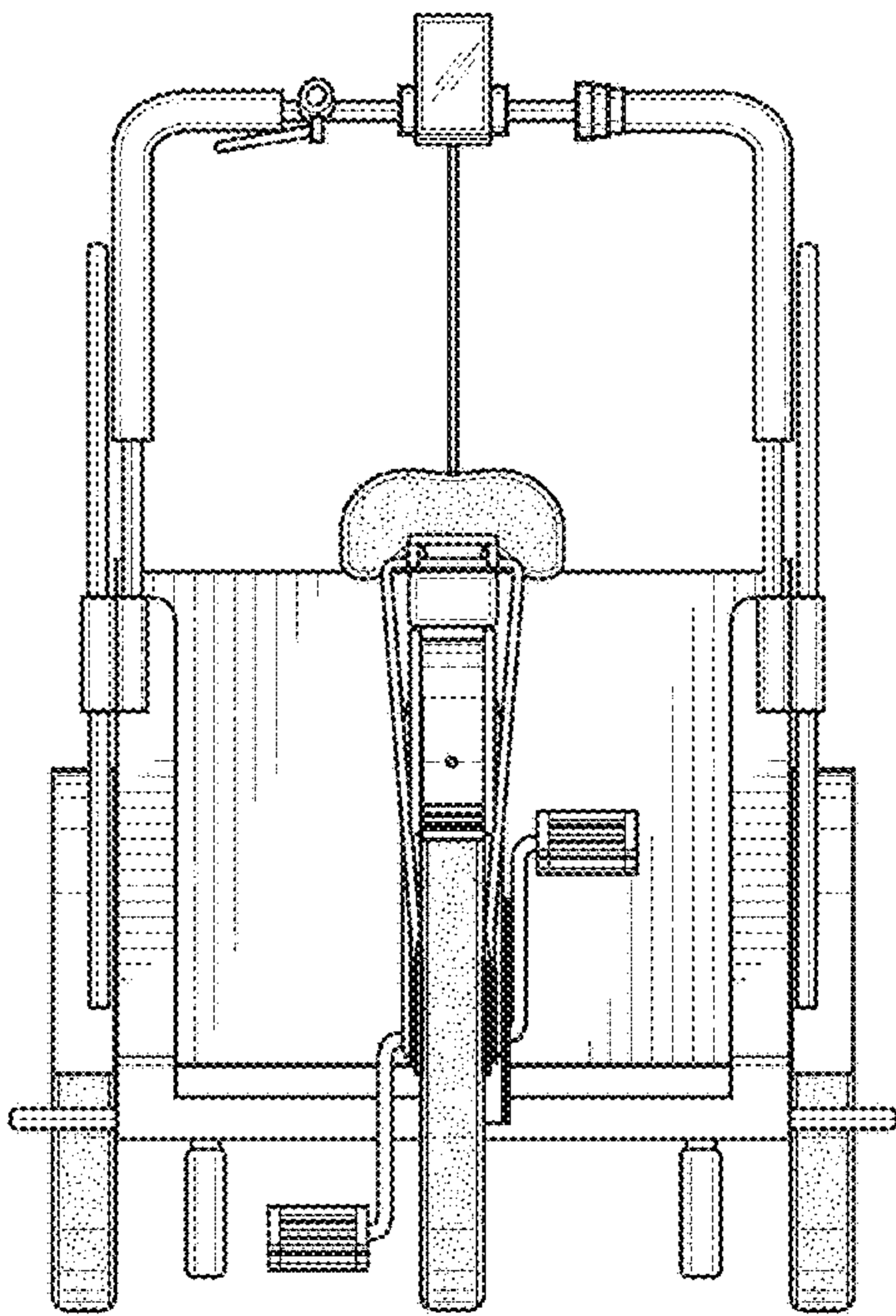


FIG. 4

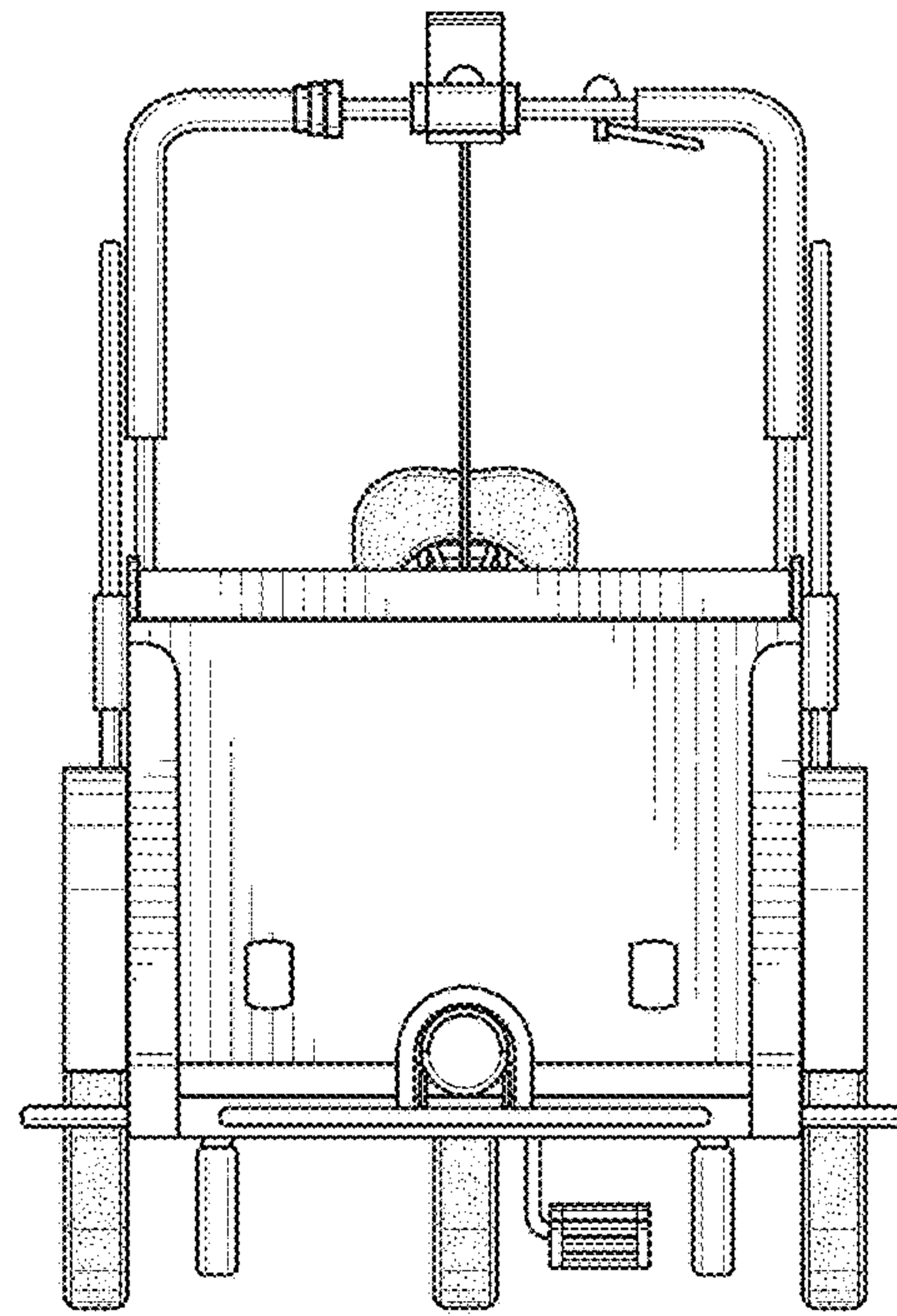


FIG. 5

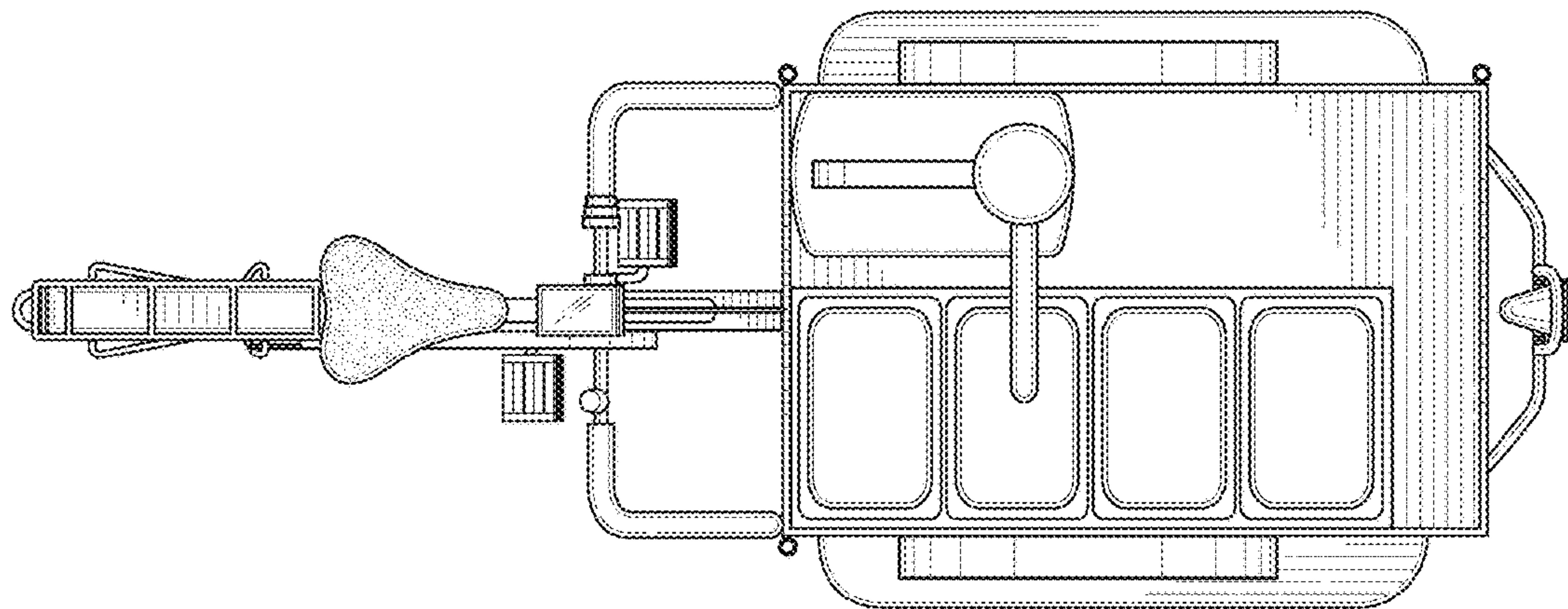


FIG. 6

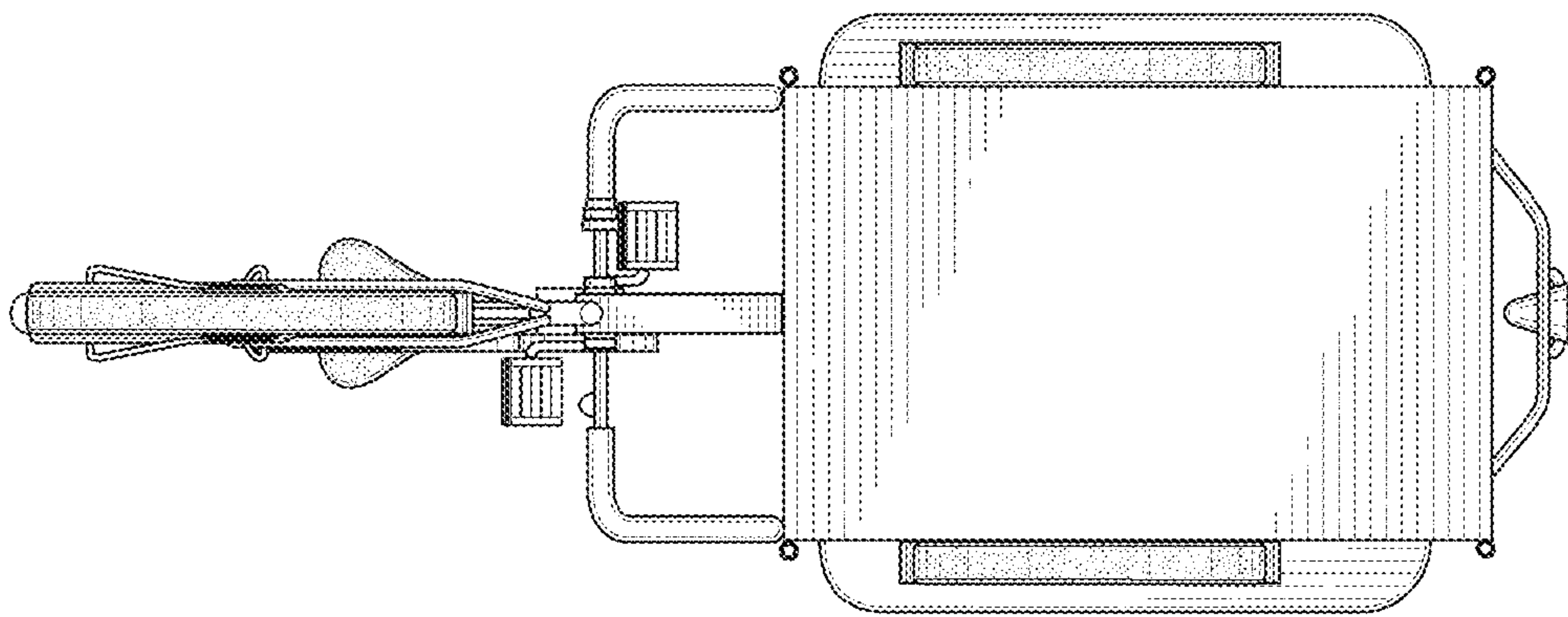


FIG. 7