



US00D785507S

(12) **United States Design Patent**
Hishiki

(10) **Patent No.:** **US D785,507 S**

(45) **Date of Patent:** **** May 2, 2017**

(54) **THREE WHEELED MOTORCYCLE**

(71) Applicant: **Hiroyuki Hishiki**, Tokyo-to (JP)

(72) Inventor: **Hiroyuki Hishiki**, Tokyo-to (JP)

(73) Assignee: **YAMAHA HATSUDOKI
KABUSHIKI KAISHA (JP)**

(**) Term: **15 Years**

(21) Appl. No.: **29/559,666**

(22) Filed: **Mar. 30, 2016**

(30) **Foreign Application Priority Data**

Sep. 30, 2015 (JP) 2015-021442

(51) **LOC (10) Cl.** **12-11**

(52) **U.S. Cl.**
USPC **D12/110**

(58) **Field of Classification Search**
USPC D12/3, 86, 87, 110, 107, 112; 180/210,
180/215, 219, 220, 223, 233, 225, 229,
180/311, 312, 315; 280/124.103
CPC B62K 5/027; B62K 5/05; B62K 11/04;
B62K 19/46
See application file for complete search history.

(56) **References Cited**

U.S. PATENT DOCUMENTS

- 4,787,470 A * 11/1988 Badsey B62D 61/065
180/210
- 6,015,022 A * 1/2000 Thuliez B62D 21/04
180/210
- D449,018 S * 10/2001 Musser D12/85
- D485,788 S * 1/2004 Guay D12/107
- D584,188 S * 1/2009 Jenkins D12/85

- D589,844 S * 4/2009 Aube D12/85
- D593,908 S * 6/2009 Longpre D12/107
- D596,081 S * 7/2009 Longpre D12/107
- D598,328 S * 8/2009 Lambri B62K 5/05
D12/110
- D627,263 S * 11/2010 Guay D12/110
- 7,891,455 B2 * 2/2011 Feutz B62K 13/04
180/210
- D656,435 S * 3/2012 Lambri B62K 5/027
D12/110
- D682,158 S * 5/2013 Canni D12/85
- D689,794 S * 9/2013 Bracy D12/85
- 8,544,587 B2 * 10/2013 Holroyd B62K 5/05
180/210
- D774,945 S * 12/2016 Frahm D12/85
- 2007/0256882 A1 * 11/2007 Bedard B62K 5/027
180/312
- 2009/0224497 A1 * 9/2009 Seiter B62D 21/183
280/62

* cited by examiner

Primary Examiner — Darlington Ly
(74) *Attorney, Agent, or Firm* — Ostrolenk Faber LLP

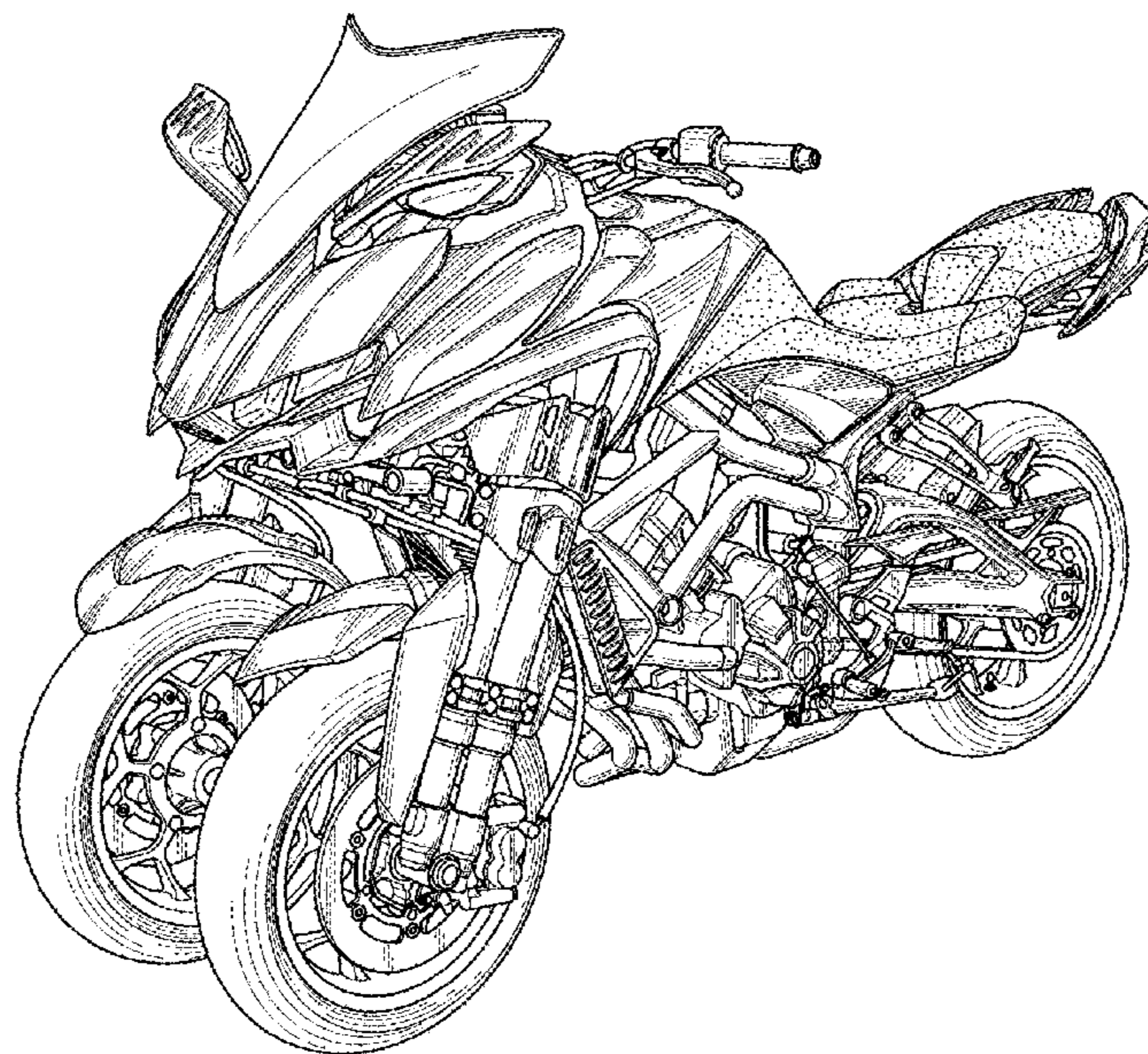
(57) **CLAIM**

The ornamental design for a three wheeled motorcycle, as shown and described.

DESCRIPTION

FIG. 1 is a front and left side perspective view of a three wheeled motorcycle showing my new design; FIG. 2 is a rear and right side perspective view thereof; FIG. 3 is a left side elevation view thereof; FIG. 4 is a right side elevation view thereof; FIG. 5 is a front elevation view thereof; FIG. 6 is a rear elevation view thereof; and, FIG. 7 is a top plan view thereof.

1 Claim, 7 Drawing Sheets



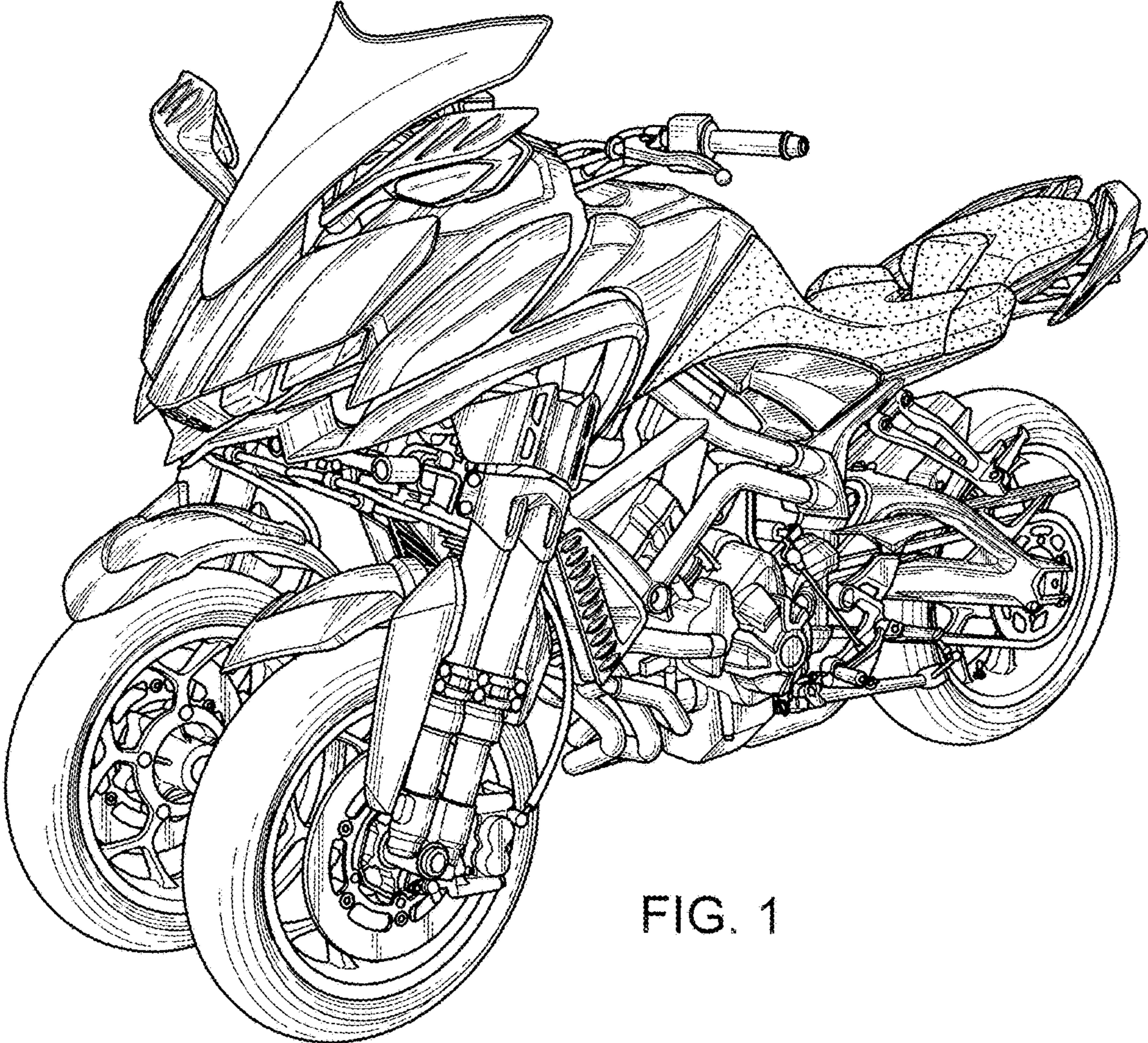


FIG. 1

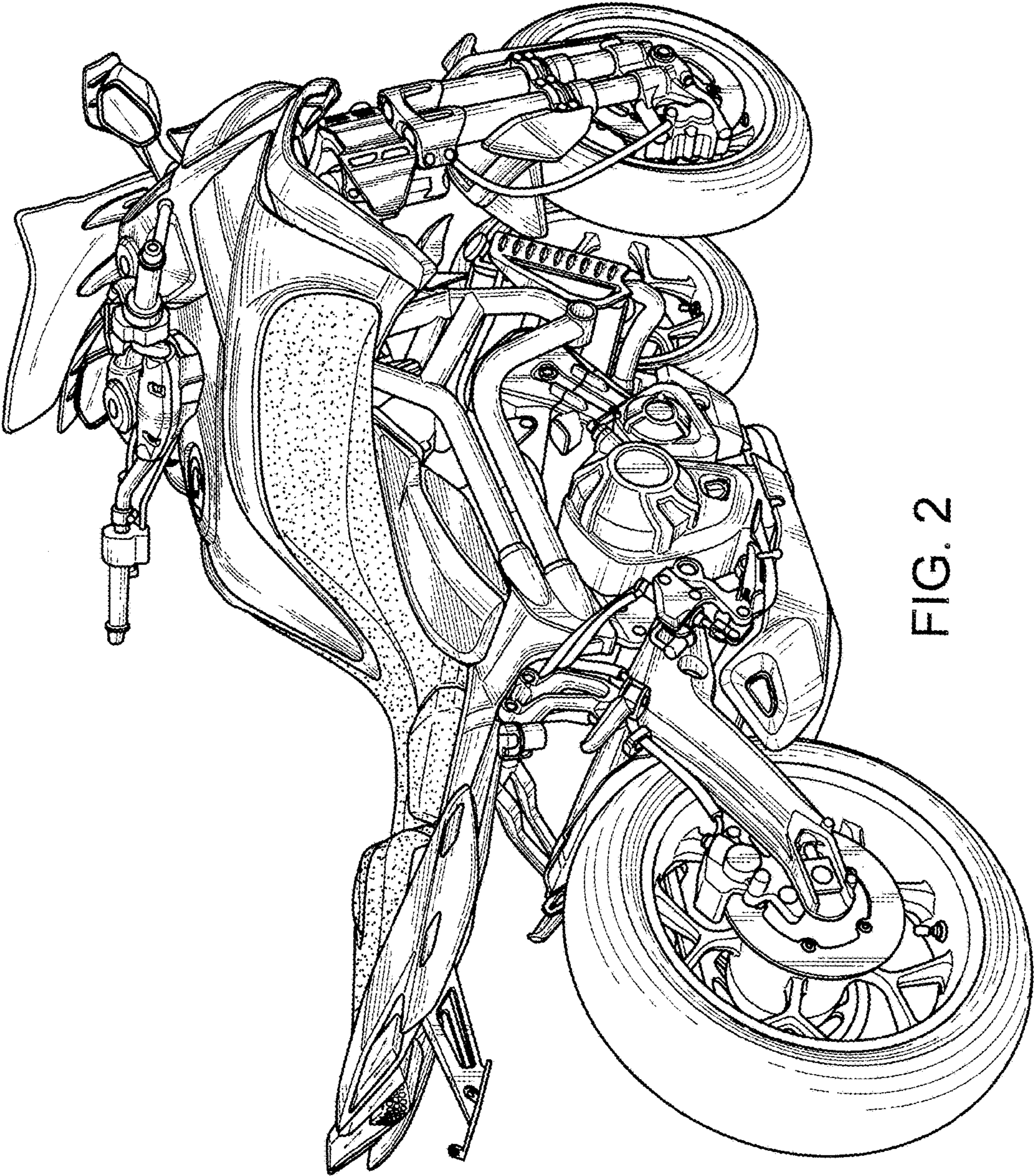


FIG. 2

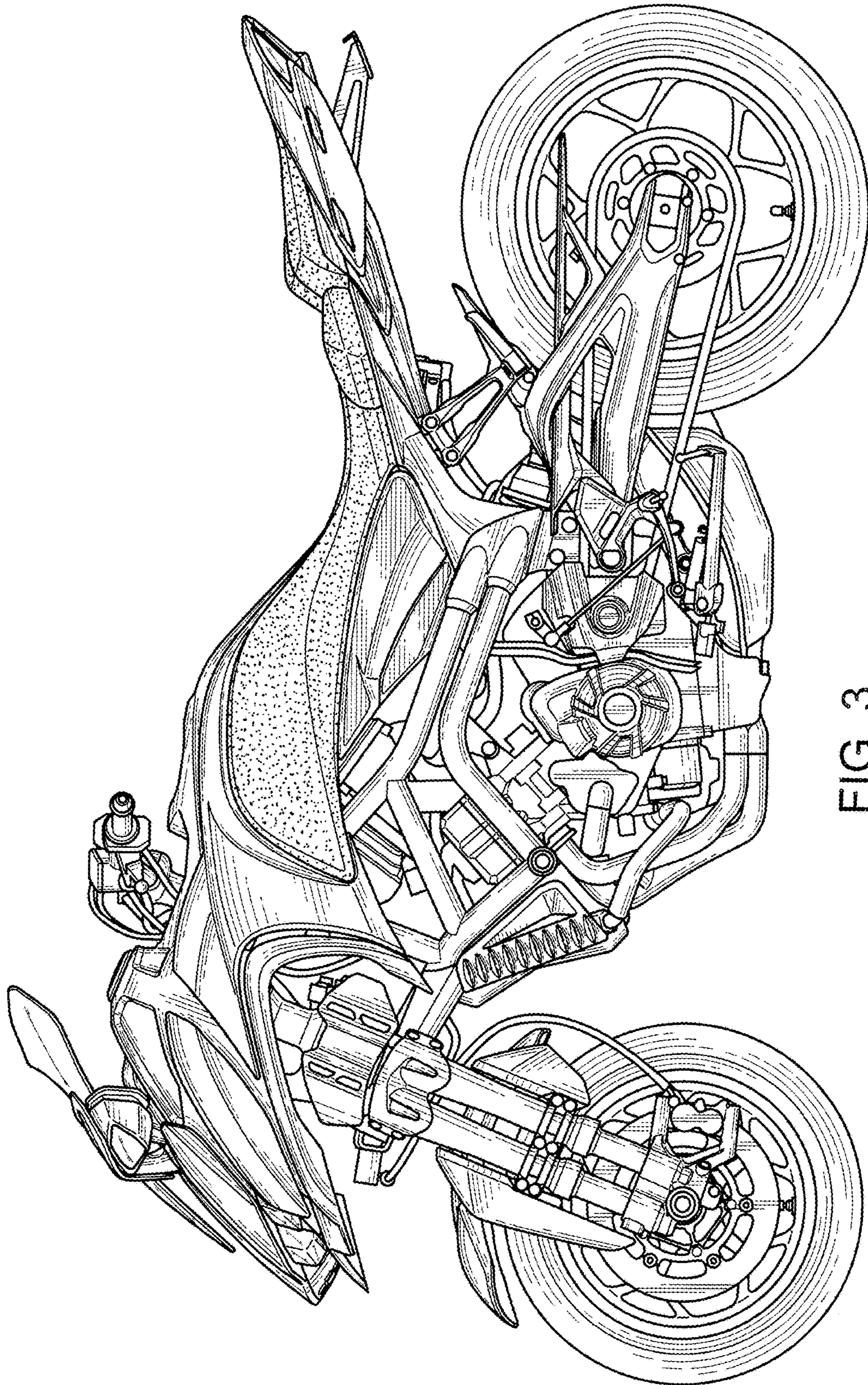


FIG. 3

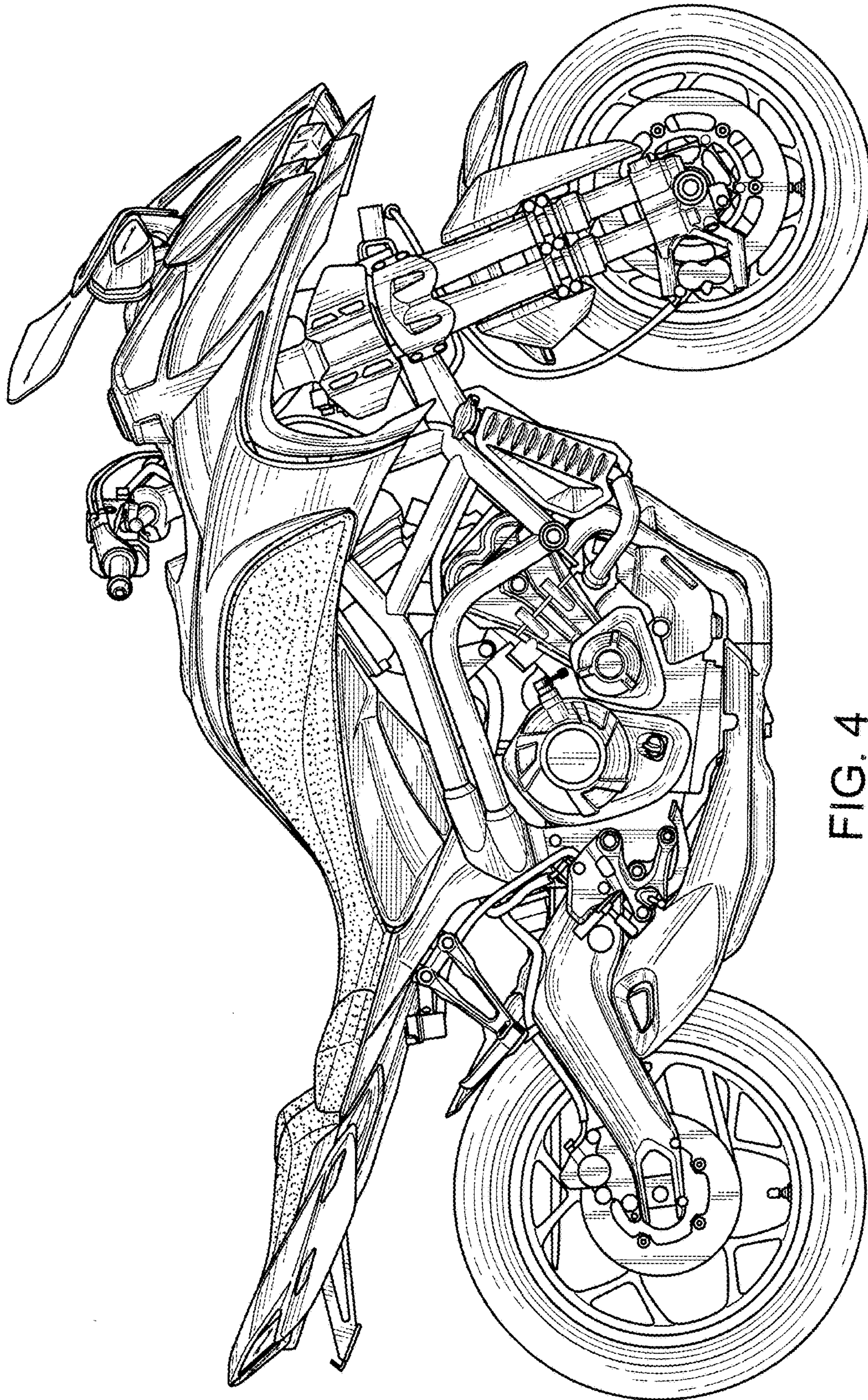


FIG. 4

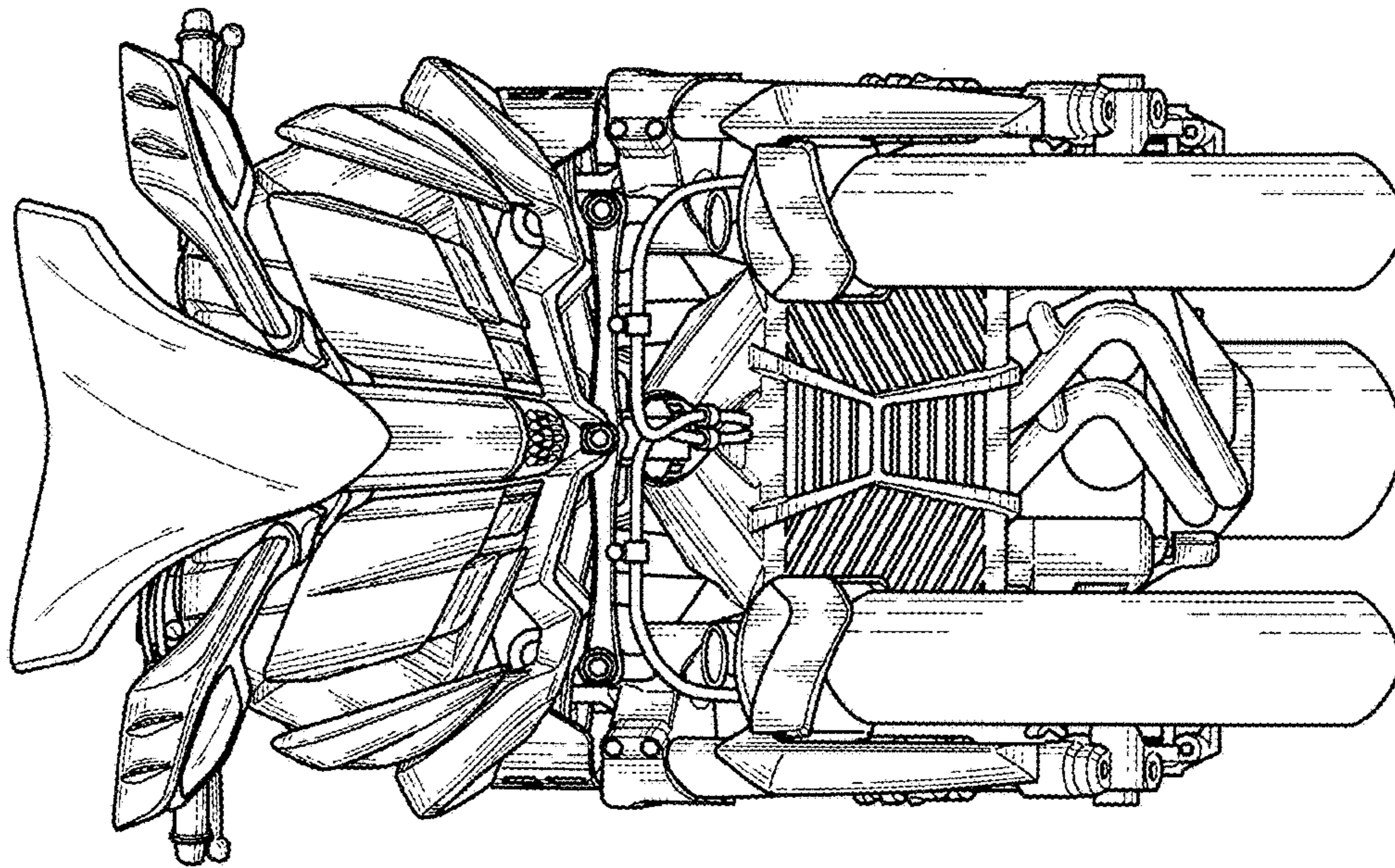


FIG. 5

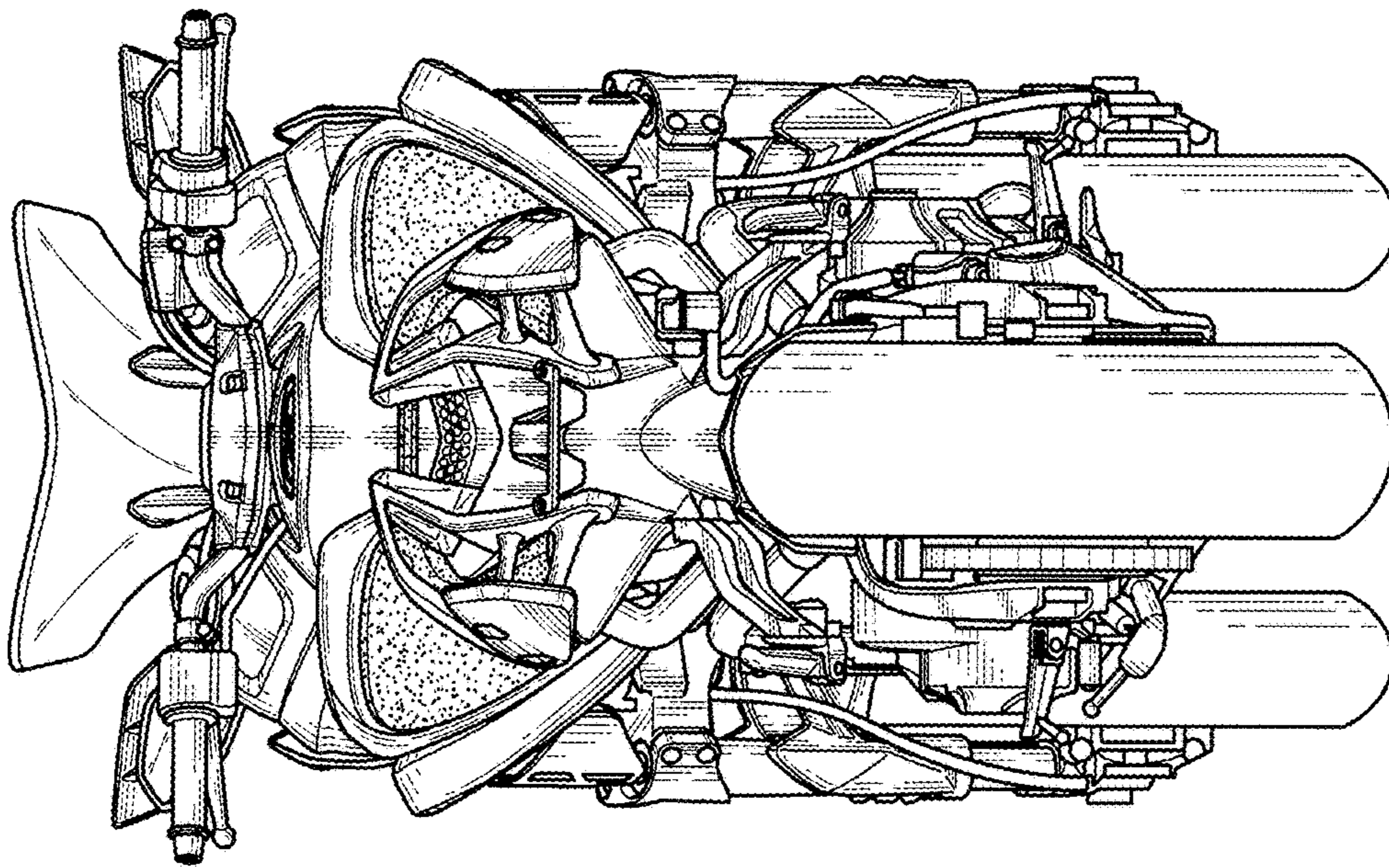


FIG. 6

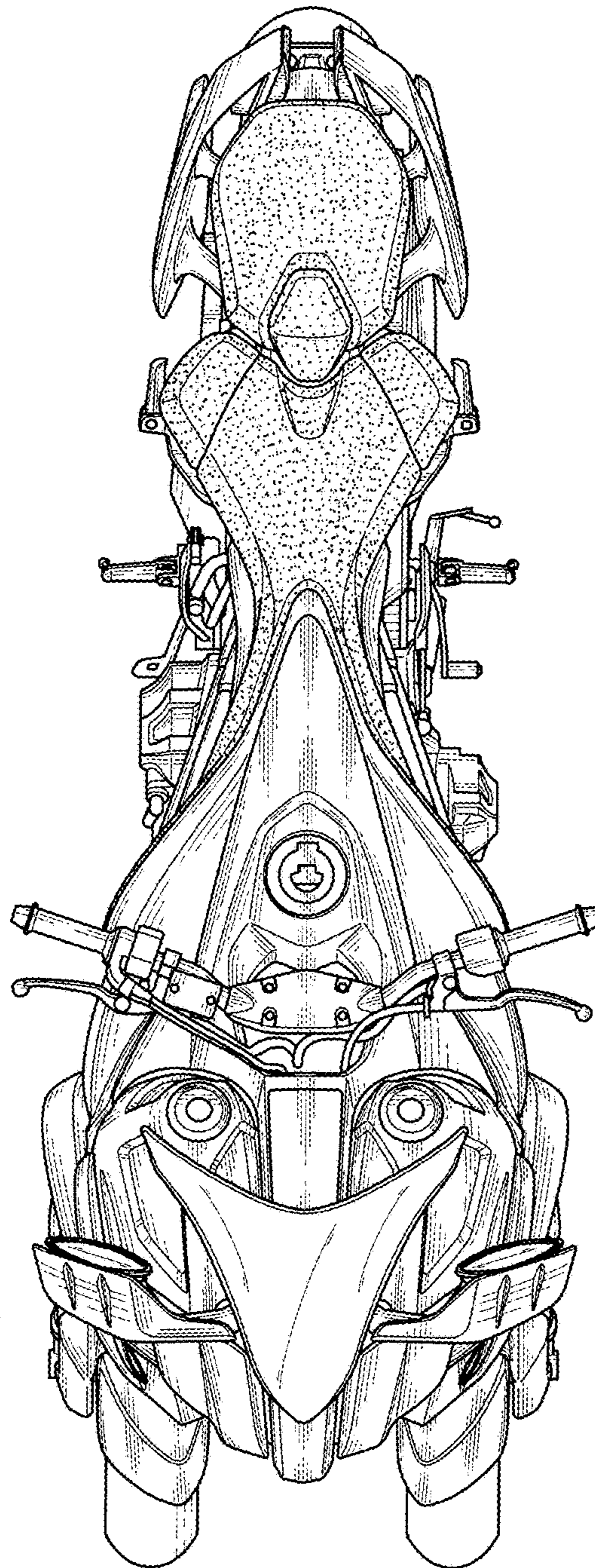


FIG. 7