



US00D785506S

(12) **United States Design Patent** (10) **Patent No.:** **US D785,506 S**
Studebaker, Jr. (45) **Date of Patent:** **** May 2, 2017**

- (54) **FLATBED TRAILER NECK**
- (71) Applicant: **Robert L. Studebaker, Jr.**, Tulsa, OK (US)
- (72) Inventor: **Robert L. Studebaker, Jr.**, Tulsa, OK (US)
- (**) Term: **15 Years**
- (21) Appl. No.: **29/578,938**
- (22) Filed: **Sep. 26, 2016**

D376,336	S	*	12/1996	Unruh	D12/101
D442,891	S	*	5/2001	McCafferty	D12/101
D443,560	S	*	6/2001	McCafferty	D12/101
D483,299	S	*	12/2003	McCafferty	D12/101
D658,549	S	*	5/2012	Neumann	D12/106
D744,379	S	*	12/2015	Penner	D12/106
D758,254	S	*	6/2016	Woller, Jr.	D12/106
2004/0070171	A1	*	4/2004	Freeman	B62D 53/0828 280/441.2
2010/0140899	A1	*	6/2010	McCoy	B60D 1/06 280/441.2
2012/0205895	A1	*	8/2012	Skalbeck	B60D 1/28 280/507

* cited by examiner

Related U.S. Application Data

- (62) Division of application No. 29/515,698, filed on Jan. 26, 2015, now Pat. No. Des. 774,954.
- (51) **LOC (10) Cl.** **12-10**
- (52) **U.S. Cl.**
USPC **D12/101**; D12/106
- (58) **Field of Classification Search**
USPC D12/101, 104, 106, 162; 280/43.18,
280/43.23, 788, 789; 414/474, 476, 482,
414/484, 485, 494
CPC B60D 1/01; B60D 1/015; B60D 1/28
See application file for complete search history.

Primary Examiner — Darlington Ly
(74) *Attorney, Agent, or Firm* — Frederic Dorwart,
Lawyers; Penina Michlin Chiu

(57) **CLAIM**

The ornamental design for a flatbed trailer neck, as shown and described.

DESCRIPTION

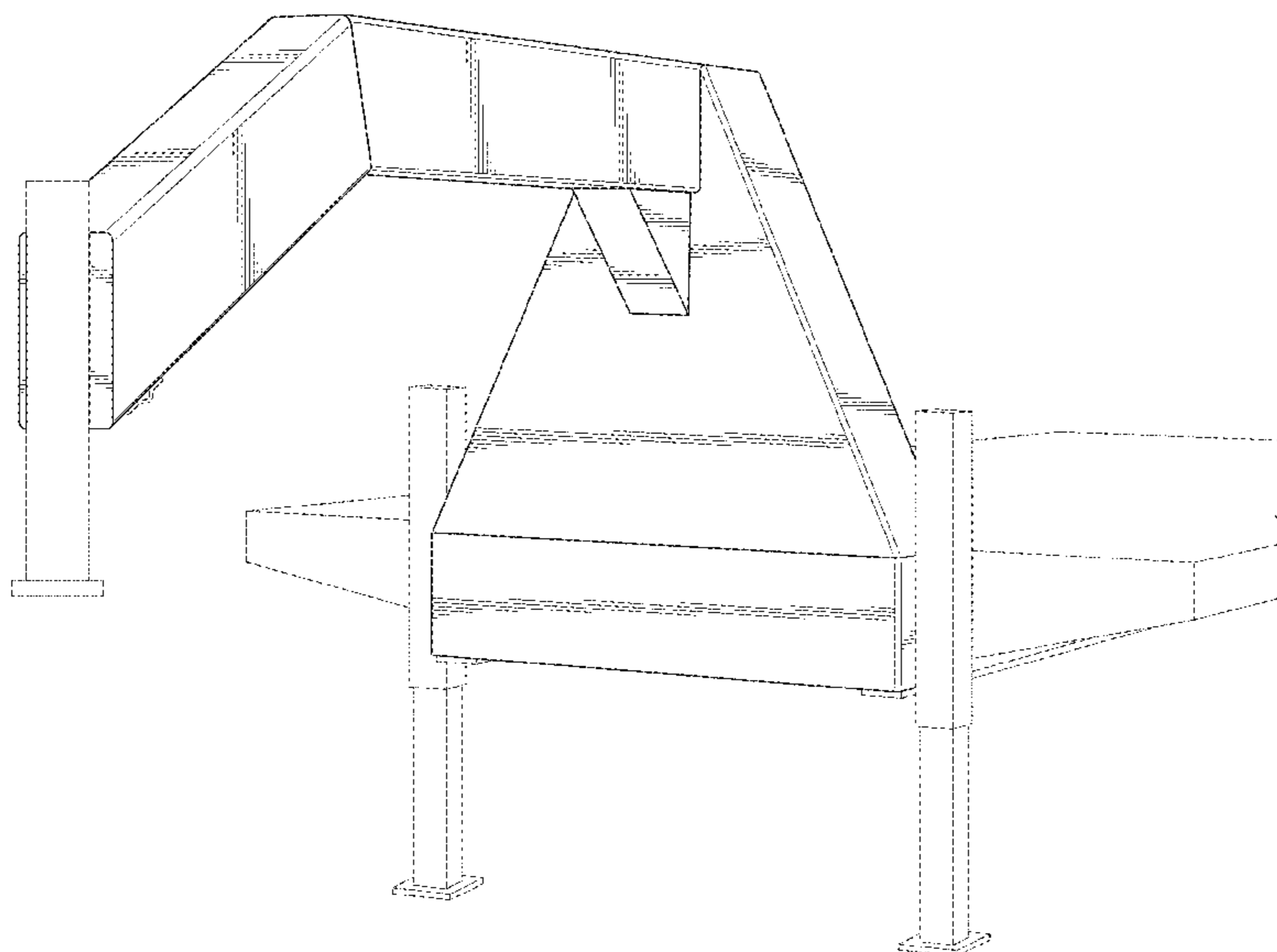
FIG. 1 is a perspective view of a flatbed trailer neck showing my new design.
FIG. 2 is a front elevation view of the flatbed trailer neck of FIG. 1.
FIG. 3 is a rear elevation view of the flatbed trailer neck of FIG. 1.
FIG. 4 is a right side view of the flatbed trailer neck of FIG. 1, where the left side view is a mirror image thereof.
FIG. 5 is a top plan view of the flatbed trailer neck of FIG. 1; and,
FIG. 6 is a bottom plan view of the flatbed trailer neck of FIG. 1.
The broken lines in the Figures depict environmental subject matter only and form no part of the claimed design.

(56) **References Cited**

U.S. PATENT DOCUMENTS

3,800,966	A	*	4/1974	Newton	B66C 3/20 280/423.1
3,896,949	A	*	7/1975	Shipley	B60P 3/127 280/402
D253,654	S	*	12/1979	Davis	D12/101
D264,453	S	*	5/1982	Francis	D12/101
D288,912	S	*	3/1987	Lucas	D12/101
4,728,114	A	*	3/1988	Bills	B62D 53/065 280/425.2
D300,416	S	*	3/1989	Britten	D12/101
D322,948	S	*	1/1992	DeMichele	D12/101

1 Claim, 6 Drawing Sheets



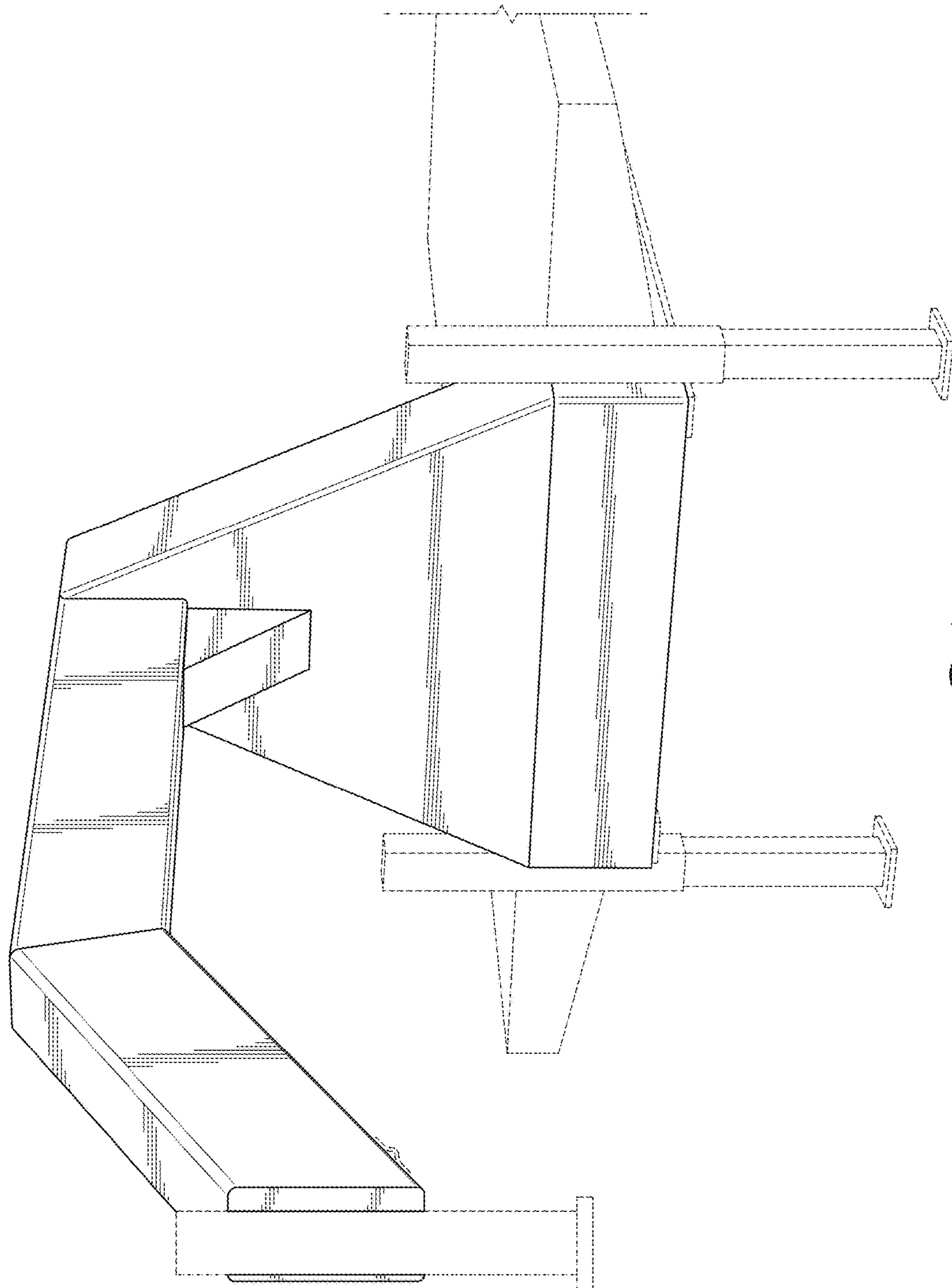


FIG. 1

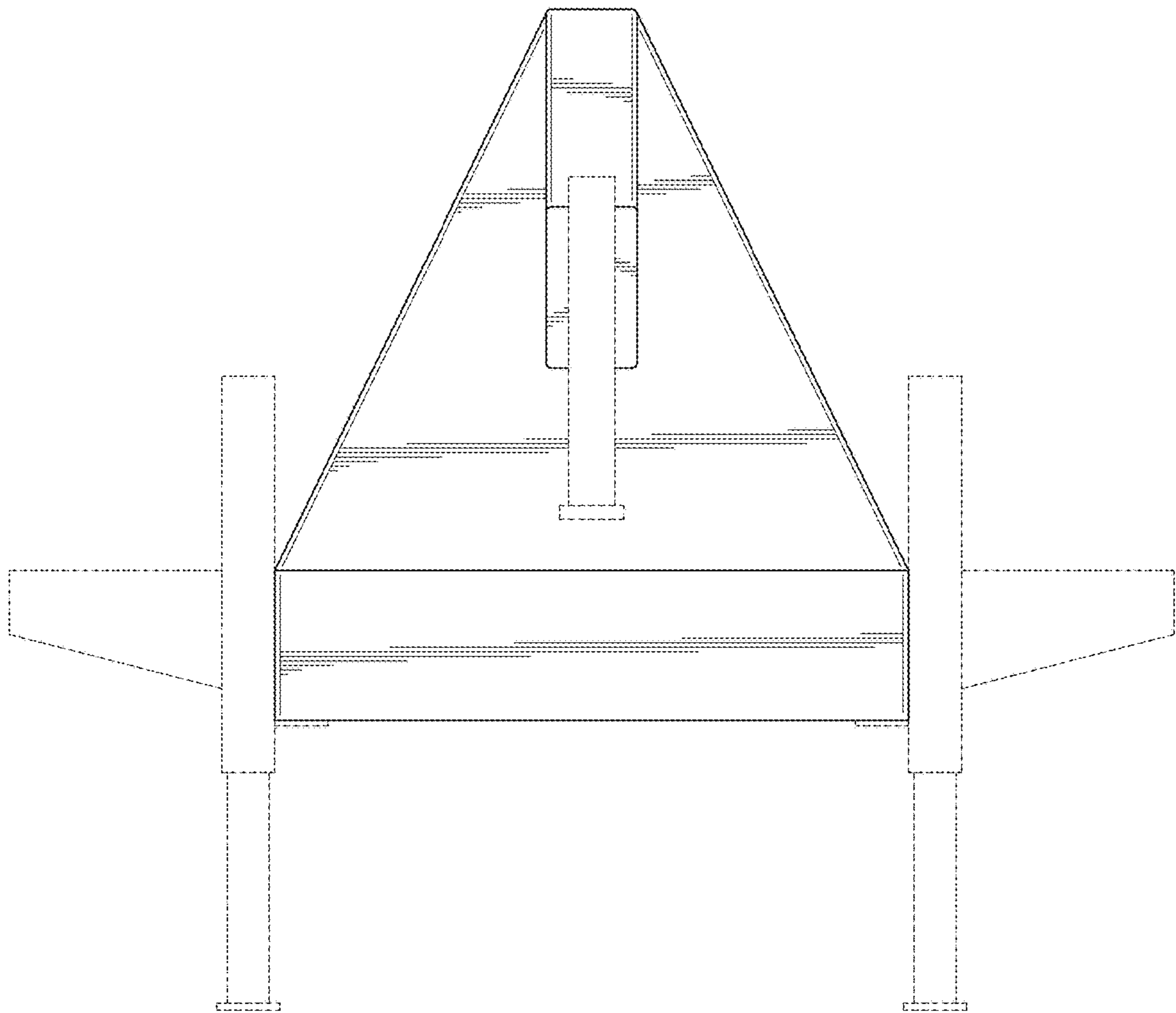


FIG. 2

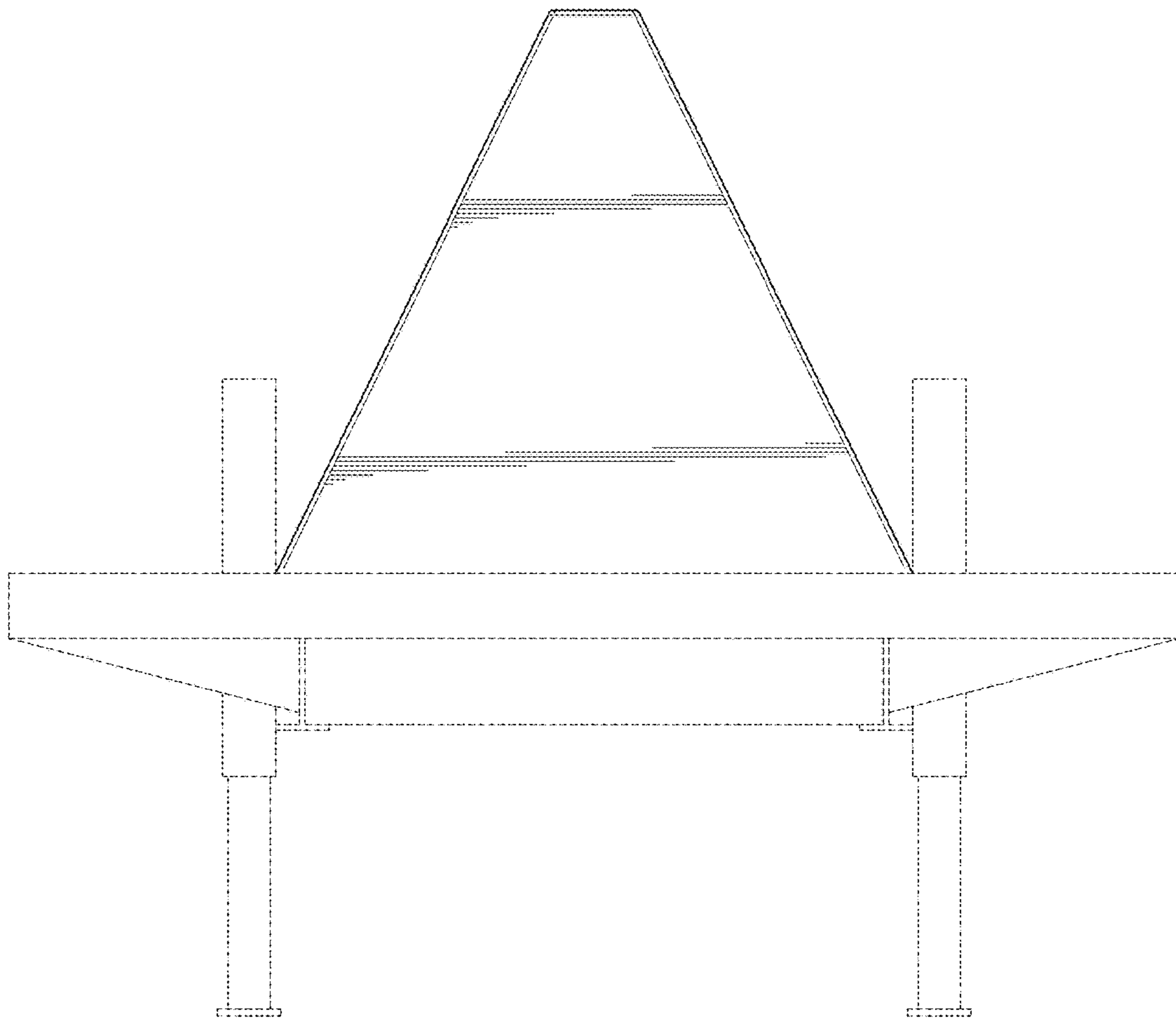


FIG. 3

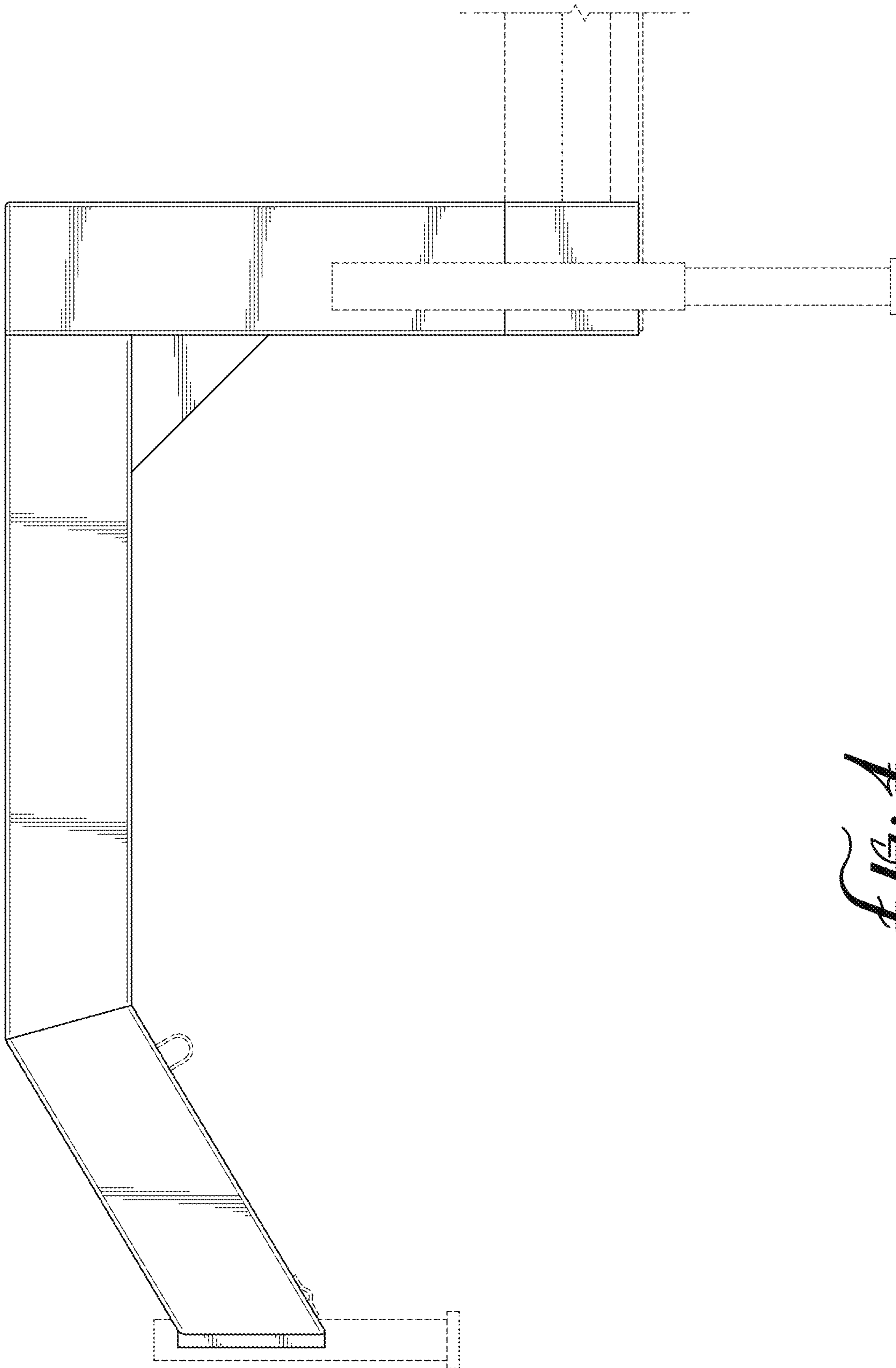


FIG. 4

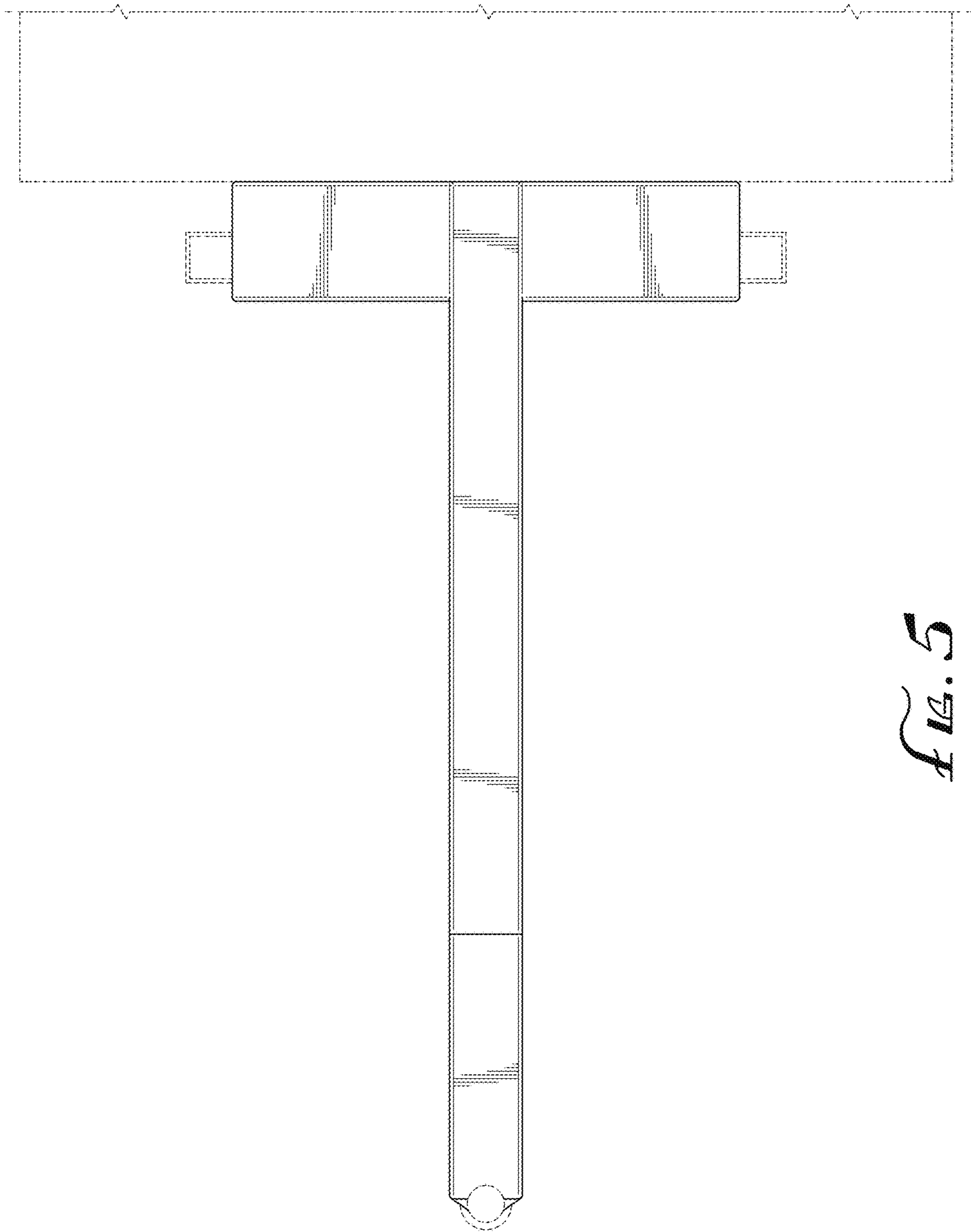


FIG. 5

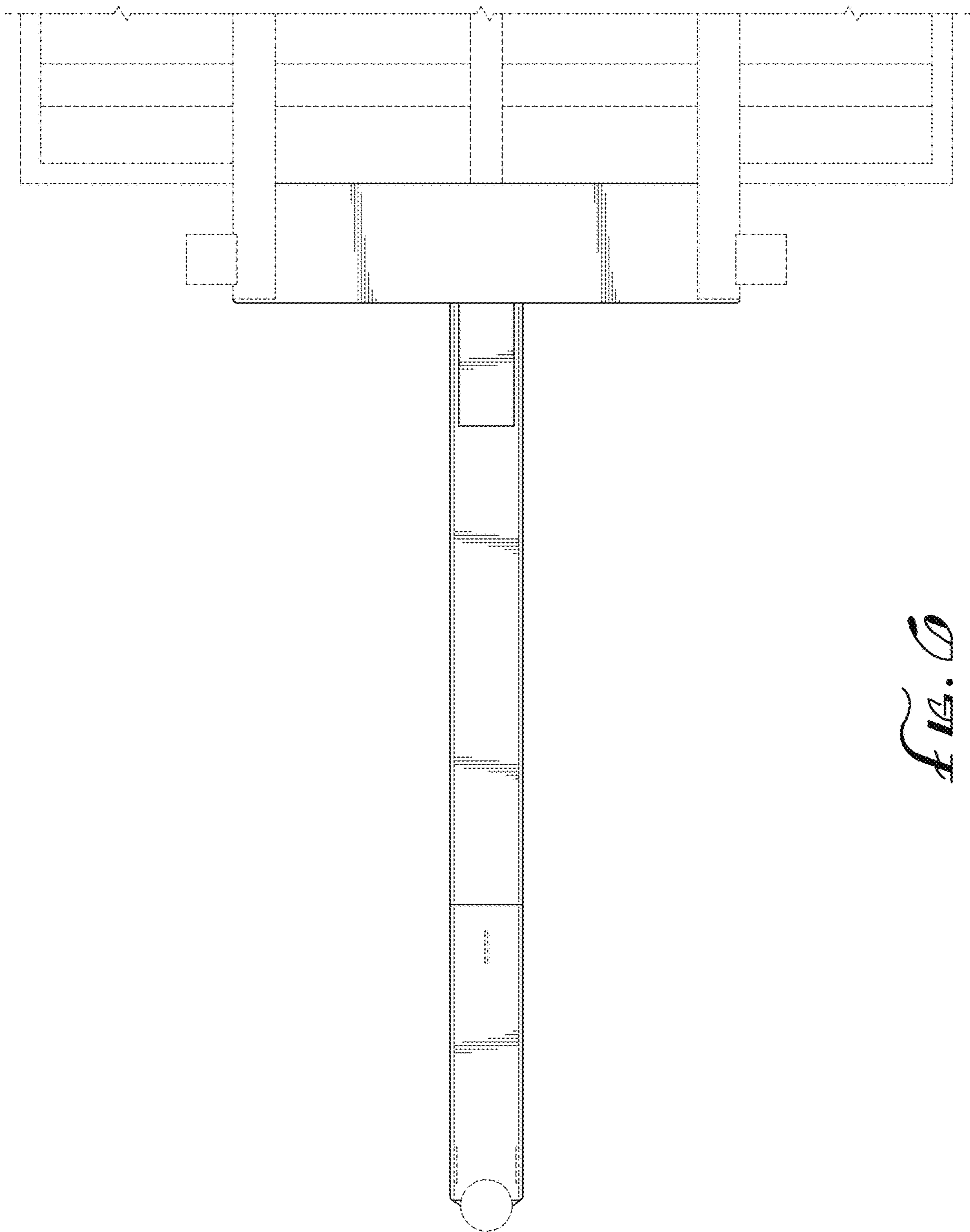


FIG. 0