



US00D785504S

(12) **United States Design Patent** (10) **Patent No.:** **US D785,504 S**
Higgs (45) **Date of Patent:** **** May 2, 2017**

(54) **WINDSHIELD PROTECTOR**
(71) Applicant: **FAB FOURS INC.**, Lancaster, SC (US)
(72) Inventor: **Gregory Neal Higgs**, Lancaster, SC (US)

D266,837 S * 11/1982 Treadway D12/181
4,449,747 A * 5/1984 Morgan B60J 1/2011
156/212
D287,353 S * 12/1986 Cornwell D12/192
D287,356 S * 12/1986 Cornwell D12/192
4,671,563 A * 6/1987 Shakespear B62D 31/003
296/146.11

(73) Assignee: **FAB FOURS INC.**, Lancaster, SC (US)

(Continued)

(**) Term: **15 Years**

OTHER PUBLICATIONS

(21) Appl. No.: **29/563,548**

Trillium Worldwide GS-2014, image post date Sep. 23, 2014, site visited Feb. 22, 2017, (online), <https://www.amazon.com/Trillium-Worldwide-GS-2014-Glare-Shield/dp/B00KBKOAGY/ref=pd_sim_263_3?_encoding=UTF8&pd_rd_i=B00KBKOAGY&pd_rd_r=GKHPJZHHEKQWRB9G55X2&pd_rd_w=Zhh6F&pd_rd_wg=MIFi3&psc=1&refRID=GKHPJZHHEKQWRB9G55X2>.*

(22) Filed: **May 5, 2016**

(Continued)

(51) **LOC (10) Cl.** **12-08**

(52) **U.S. Cl.**
USPC **D12/91**

(58) **Field of Classification Search**
USPC D12/82, 85, 86, 87, 88, 91, 93, 96, 106
CPC ... B60J 1/00; B60J 5/0487; B60J 7/00; B62D 21/07; B62D 21/10; B62D 25/04; B62D 25/14; B62D 29/00; B62D 29/04; B62D 29/043; B62D 31/00; B62D 33/06; B62D 63/025; B62D 65/00; B62D 65/04; B62D 65/14; F41H 7/044

Primary Examiner — Kevin Rudzinski
Assistant Examiner — Sean D Lough
(74) *Attorney, Agent, or Firm* — Oliff PLC

See application file for complete search history.

(57) **CLAIM**

The ornamental design for a windshield protector, as shown and described.

(56) **References Cited**

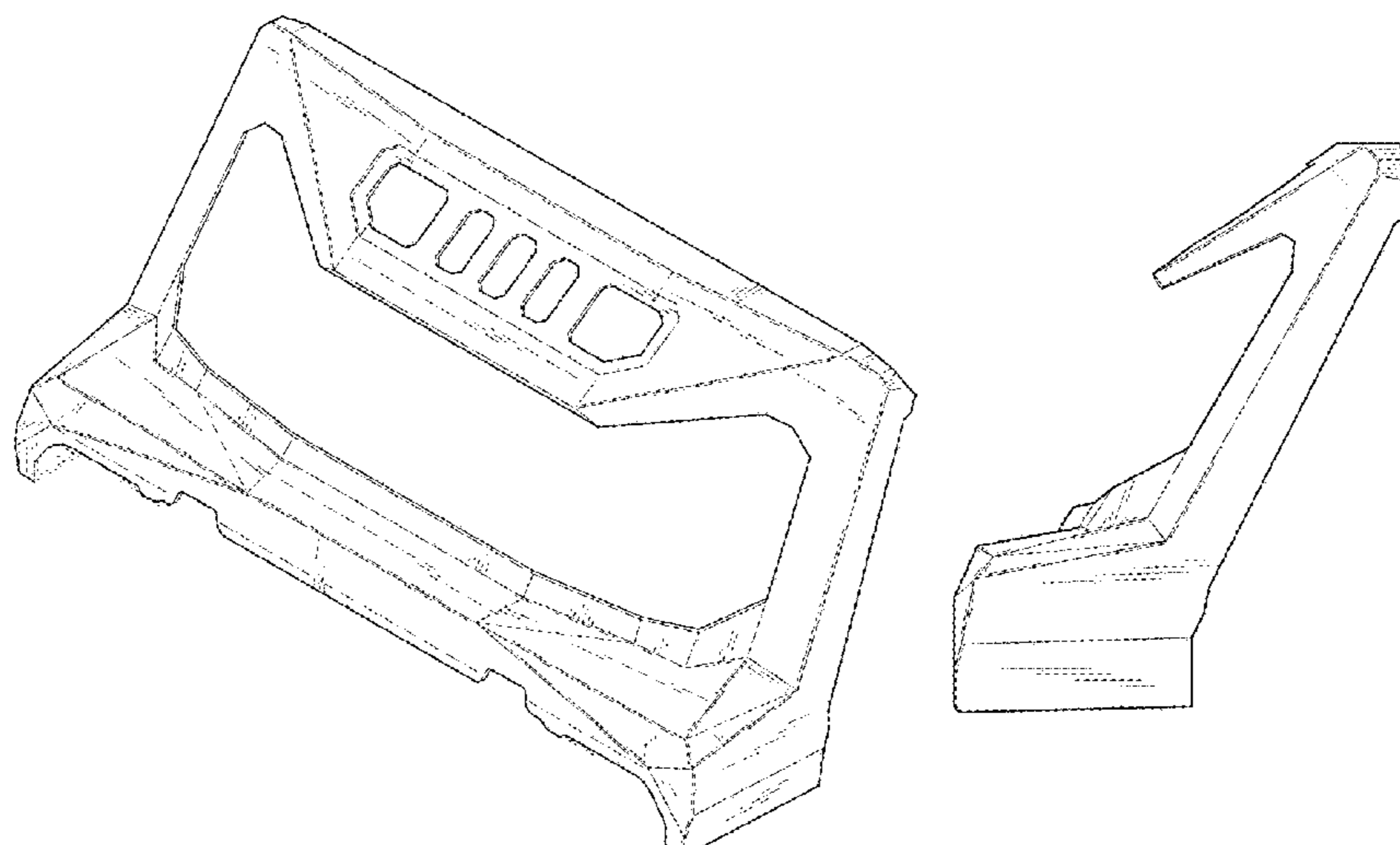
DESCRIPTION

U.S. PATENT DOCUMENTS

1,563,803 A * 12/1925 Southern B62D 31/00
280/166
2,226,790 A * 12/1940 Valletta B62D 21/10
280/785
2,326,789 A * 8/1943 Marine B62D 25/04
296/146.2
2,383,417 A * 8/1945 Renno B62D 33/06
296/192
2,520,074 A * 8/1950 Wernig B62D 25/04
296/192
3,410,599 A * 11/1968 Kettler B60J 1/04
296/146.4
D253,101 S * 10/1979 Pivar D12/112

FIG. 1 is a front, top, right-side perspective view of a windshield protector;
FIG. 2 is a front elevational view thereof;
FIG. 3 is a top plan view thereof;
FIG. 4 is a left-side elevational view thereof, the right-side elevational view (not provided) being a mirror image of the left-side view;
FIG. 5 is rear elevational view thereof; and,
FIG. 6 is a bottom plan view thereof.
The broken lines depict portions of the windshield protector that form no part of the claimed design.

1 Claim, 6 Drawing Sheets



US D785,504 S

(56)

References Cited

U.S. PATENT DOCUMENTS

D311,506 S *	10/1990	Marlowe	D12/181	D652,359 S *	1/2012	Kitajima	D12/192
D324,018 S *	2/1992	Ueno	D12/170	8,205,933 B2 *	6/2012	Boczek	F41H 7/044 296/181.1
D363,261 S *	10/1995	Horwill	D12/181	8,235,410 B2 *	8/2012	Weber	B60D 1/167 280/457
D364,138 S *	11/1995	Horwill	D12/181	D681,525 S *	5/2013	Atwell	D12/191
D375,067 S *	10/1996	Bronstein	D12/169	D691,074 S *	10/2013	Dugardin	D12/171
D389,095 S *	1/1998	Stollery	D12/91	D697,842 S *	1/2014	Harriton	D12/167
5,822,836 A *	10/1998	Riddle	B62D 21/18 29/401.1	8,657,057 B2 *	2/2014	Bolz	B62D 21/186 180/291
5,823,609 A *	10/1998	Morris	B60J 1/02 296/180.1	8,746,719 B2 *	6/2014	Safranski	B60G 3/14 280/124.148
D403,650 S *	1/1999	Cicansky	D12/216	D714,702 S *	10/2014	Higgs	D12/203
D413,090 S *	8/1999	Huang	D12/169	D722,927 S *	2/2015	Schroeder	D12/171
D420,962 S *	2/2000	Chevalier	D12/171	9,016,760 B2 *	4/2015	Kuroda	B60J 5/0487 296/146.5
D429,676 S *	8/2000	Smith	D12/15	9,061,711 B2 *	6/2015	Kuroda	B62D 25/10
D432,469 S *	10/2000	Nelson	D12/169	D737,739 S *	9/2015	Hanson	D12/169
D442,901 S *	5/2001	Conway	B60J 3/002 D12/191	9,266,413 B2 *	2/2016	Engler	B60J 5/047
D444,112 S *	6/2001	Shimazu	D12/169	D751,012 S *	3/2016	Hare	D12/169
6,260,912 B1 *	7/2001	Mondragon Sarmiento	B62D 33/06 180/89.19	D754,041 S *	4/2016	Behmer	D12/169
6,260,914 B1 *	7/2001	Nieminski	B62D 25/14 280/779	9,302,639 B2 *	4/2016	Patelczyk	B62D 25/12
6,276,477 B1 *	8/2001	Ida	B62D 21/07 180/89.1	9,327,772 B2 *	5/2016	Ueda	B62D 33/06
D449,263 S *	10/2001	Yamazaki	D12/192	D760,133 S *	6/2016	Bennett	D12/171
6,315,351 B1 *	11/2001	Mondragon Sarmiento	B62D 33/06 180/89.19	9,393,894 B2 *	7/2016	Steinmetz	B60N 3/06
D454,098 S *	3/2002	McGuinness	D12/171	D762,539 S *	8/2016	Marcus	D12/191
D454,817 S *	3/2002	McGuinness	D12/171	D775,014 S *	12/2016	Higgs	D12/170
D472,854 S *	4/2003	Weber	D12/163	D775,015 S *	12/2016	Higgs	D12/170
D477,257 S *	7/2003	Delgado	D12/167	D775,016 S *	12/2016	Reynolds	D12/171
D488,415 S *	4/2004	Gough	D12/190	D775,029 S *	12/2016	Frykholm	D12/182
D488,416 S *	4/2004	Herrera, Jr.	D12/192	D775,554 S *	1/2017	Kapitonov	D12/163
D488,417 S *	4/2004	Herrera, Jr.	D12/192	D777,619 S *	1/2017	Barajas	D12/167
6,767,043 B1 *	7/2004	Sanseviero	B60J 7/062 296/100.03	2002/0089215 A1 *	7/2002	Frasher	B60R 21/04 296/203.02
D502,433 S *	3/2005	McClanahan	D12/169	2002/0153748 A1 *	10/2002	Sakyo	B62D 27/023 296/190.08
7,000,970 B1 *	2/2006	Herrera, Jr.	B62D 25/14 296/70	2003/0178235 A1 *	9/2003	Cheron	B62D 29/04 180/68.1
D527,696 S *	9/2006	Ichikawa	D12/171	2004/0104599 A1 *	6/2004	Svendson	B60R 19/56 296/187.09
D532,348 S *	11/2006	Kudo	D12/171	2005/0012360 A1 *	1/2005	Richards	B60J 5/0487 296/190.03
7,213,871 B2 *	5/2007	Yamamoto	B60R 21/11 296/190.03	2005/0093331 A1 *	5/2005	Moskos	B62D 25/00 296/102
7,232,179 B1 *	6/2007	Racz	B62D 33/0612 296/190.02	2006/0288856 A1 *	12/2006	Labock	F41H 5/013 89/36.04
D549,742 S *	8/2007	Koss	D15/30	2007/0006986 A1 *	1/2007	Derleth	B60H 1/0055 162/234
D556,090 S *	11/2007	Hammick	D12/12	2007/0056231 A1 *	3/2007	DiMario	B60J 1/00 52/204.53
D572,642 S *	7/2008	Steckling	D12/182	2007/0063546 A1 *	3/2007	Lassl	B62D 25/2036 296/193.06
7,429,072 B2 *	9/2008	Orrell	B60J 5/0487 280/DIG. 5	2007/0257518 A1 *	11/2007	Matsushima	B60R 21/34 296/193.11
D580,825 S *	11/2008	Green, Jr.	D12/12	2008/0308332 A1 *	12/2008	Gonzalez-Salvador	B62D 25/084 180/68.4
D588,955 S *	3/2009	Green, Jr.	D12/14	2010/0140967 A1 *	6/2010	List	B62D 33/06 293/132
D590,744 S *	4/2009	Hammick	D12/12	2013/0119712 A1 *	5/2013	Salvini	B60J 7/1642 296/210
D592,546 S *	5/2009	Hammick	D12/12	2013/0221632 A1 *	8/2013	Higgs	B60R 3/00 280/169
D593,450 S *	6/2009	Green, Jr.	D12/12	2013/0319785 A1 *	12/2013	Spindler	B62D 23/005 180/292
7,571,952 B1 *	8/2009	Hamaguchi	B60R 21/02 280/748	2014/0021328 A1 *	1/2014	Higgs	B66D 1/00 248/674
D601,064 S *	9/2009	Golden	D12/182	2014/0083284 A1 *	3/2014	Chu	F41H 5/013 89/36.02
7,581,783 B2 *	9/2009	Mori	E02F 9/163 296/190.08	2014/0208931 A1 *	7/2014	Shmargad	F41H 7/042 89/36.08
D606,920 S *	12/2009	Leone	D12/196	2014/0210233 A1 *	7/2014	Brymerski	B60J 5/0415 296/191
D607,387 S *	1/2010	Golden	D12/182	2014/0216238 A1 *	8/2014	Pfennig	F41H 7/042 89/36.02
D607,388 S *	1/2010	Mahoney	D12/182	2014/0292034 A1 *	10/2014	Ueda	E02F 9/16 296/190.08
D609,145 S *	2/2010	Leone	D12/173				
D610,038 S *	2/2010	Kiel	D12/12				
D619,044 S *	7/2010	Kiel	D12/12				
D622,182 S *	8/2010	Parimi	D12/12				
D634,686 S *	3/2011	Matei	D12/164				
D638,333 S *	5/2011	Freeman	D12/412				
D640,958 S *	7/2011	Yokoi	D12/169				
D642,099 S *	7/2011	Nagao	D12/171				

(56)

References Cited

U.S. PATENT DOCUMENTS

2015/0115663 A1* 4/2015 Joyce B62D 29/008
296/193.12
2015/0259011 A1* 9/2015 Deckard B62D 21/183
280/781
2015/0344079 A1* 12/2015 Stojkovic B62D 27/023
296/187.09
2015/0375803 A1* 12/2015 Raska B60G 3/20
280/639
2016/0023683 A1* 1/2016 Nishimura B62D 25/02
296/187.12
2016/0176449 A1* 6/2016 Kazakoff B60J 1/008
296/190.1
2016/0236723 A1* 8/2016 Ikeda B60J 5/0461
2016/0257360 A1* 9/2016 MacKenzie B62D 21/11
2016/0280058 A1* 9/2016 Uzaki B62D 25/082
2016/0304006 A1* 10/2016 Fainello B60N 2/4882
2016/0332676 A1* 11/2016 Miller B60P 1/04
2016/0355215 A1* 12/2016 Hartmann B62D 25/2036

OTHER PUBLICATIONS

Car Protective Parasol sun back shield, image post date 2004, site visited Feb. 22, 2017, (online), <<http://www.dhgate.com/product/car-protective-parasol-sun-back-shield-curtains/379902109.html>>.*
National Cycle Lexan ATV Windshield Low Headlight for 1995-2010 Arctic Cat Thun, image post date 1995-2010, site visited Feb. 22, 2017, (online), <https://www.amazon.com/National-Cycle-Windshield-Headlight-1995-2010/dp/B00F3R0SV6/ref=pd_lpo_263_tr_img_3?_encoding=UTF8&psc=1&refRID=PG9X16G71GS5Z87W2Q7S>.*
Polaris RZR 900—1000 Scratch Resistant Vented Windshield by SuperAtv, image post date 2014, site visited Feb. 22, 2017, (online), <<http://www.sidebysidesports.com/porzr90010sc.html>>.*
Intimidator Accessories, image post date 2014, site visited Feb. 22, 2017, (online), <<https://intimidatorutv.com/accessories/home/>>.*

* cited by examiner

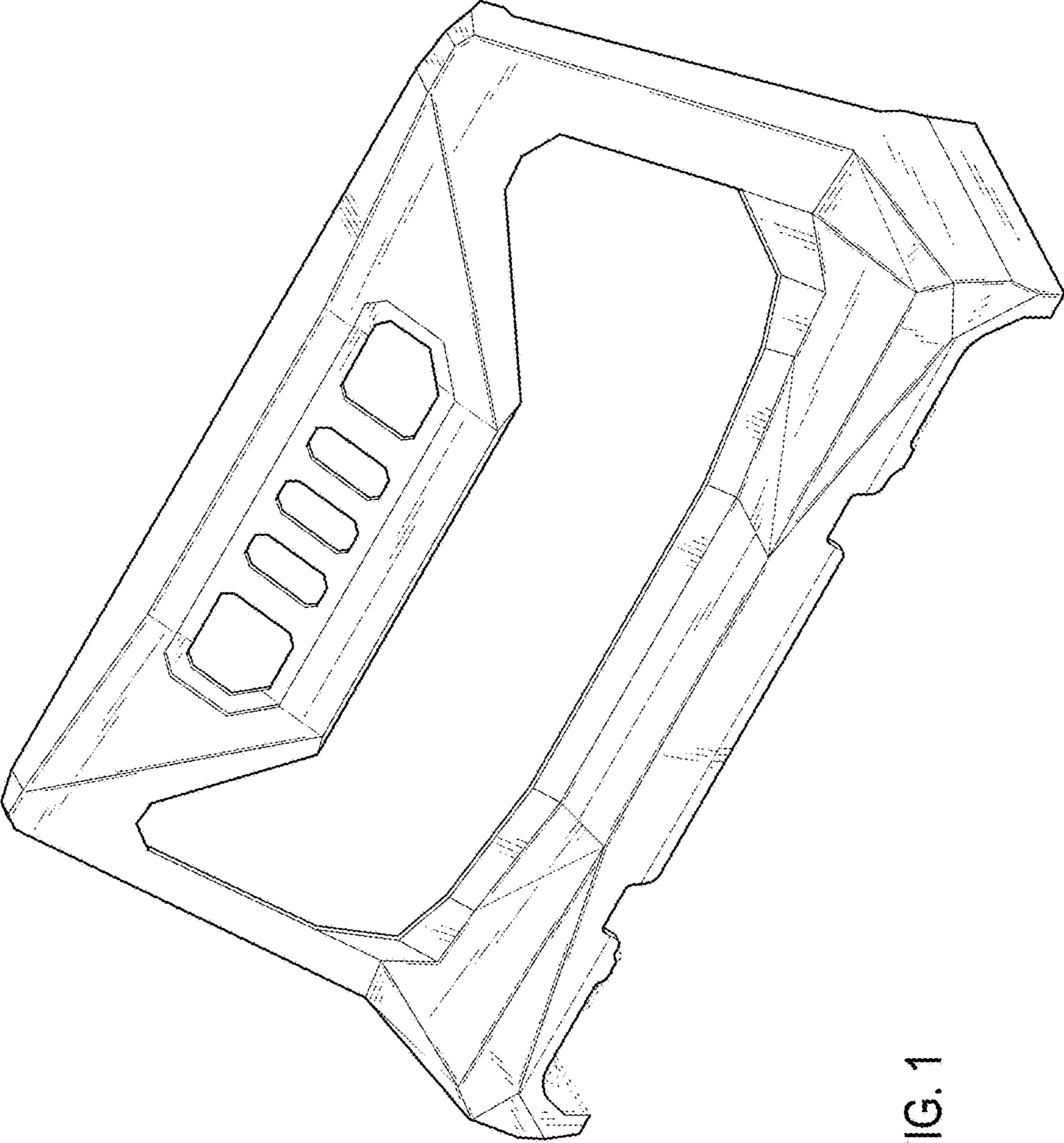


FIG. 1

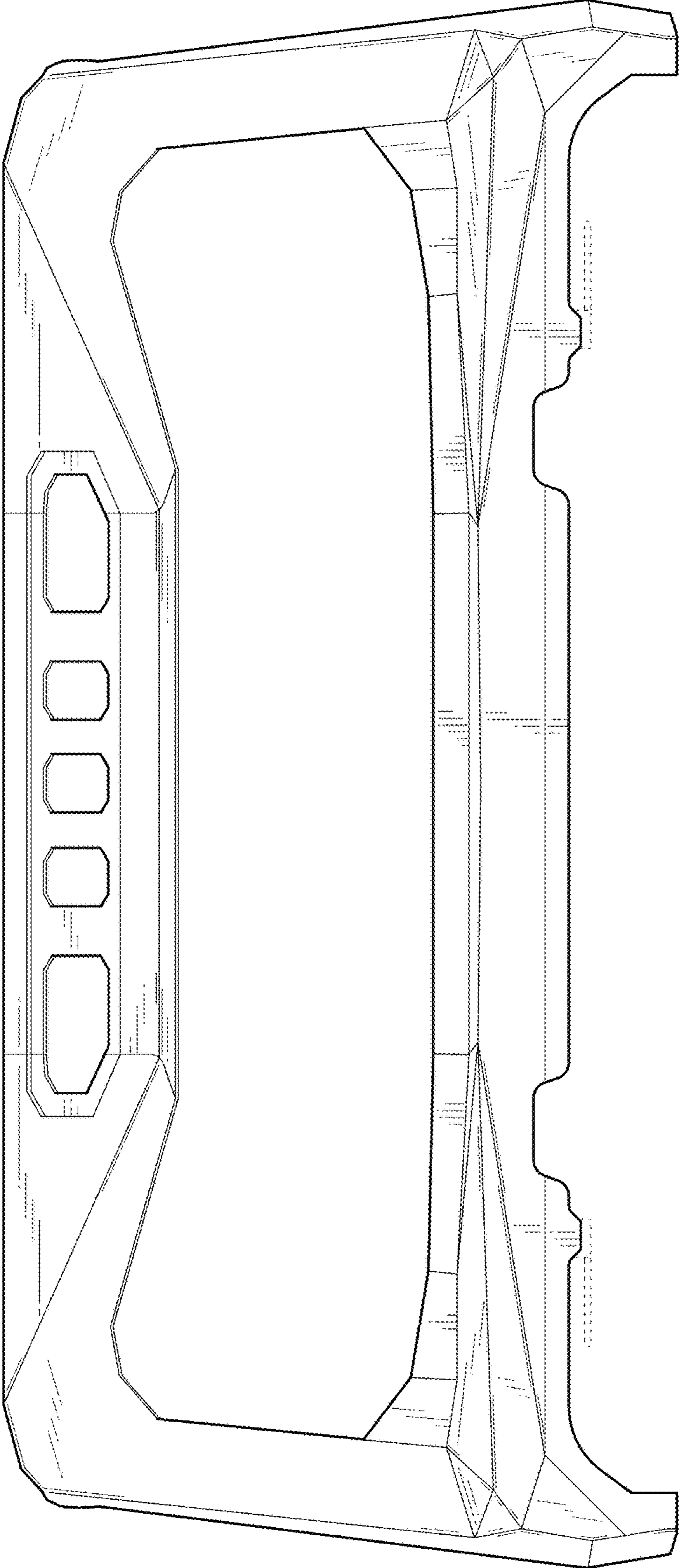


FIG. 2

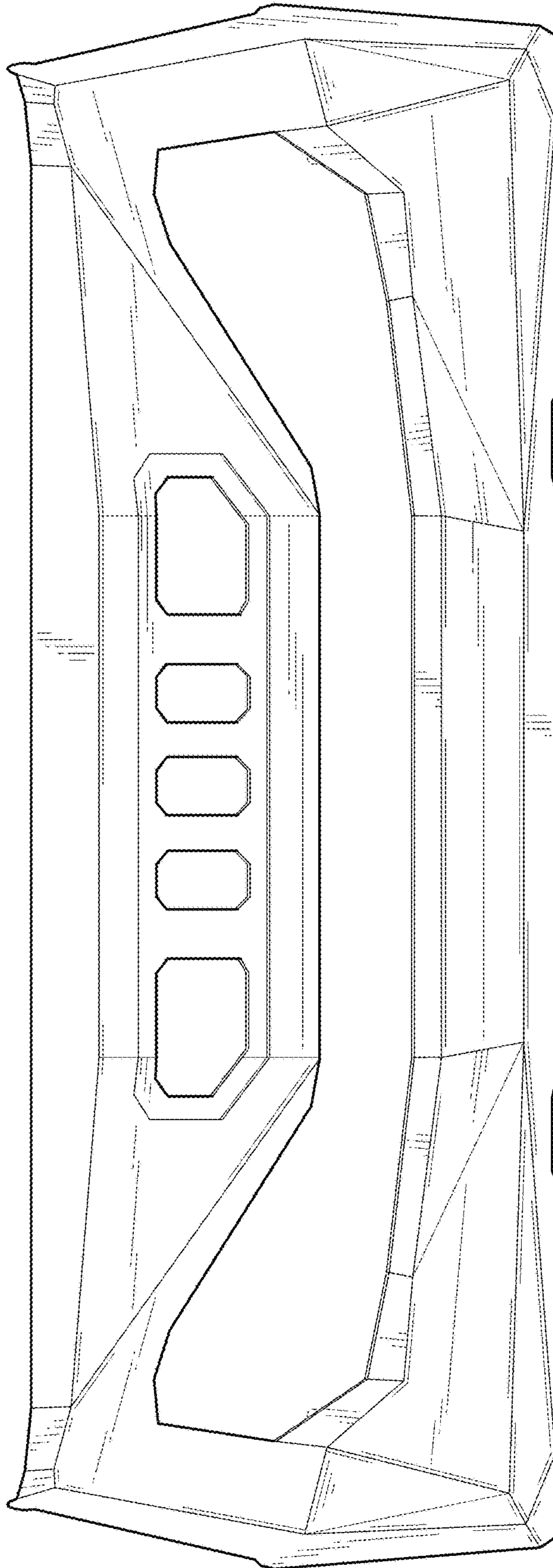


FIG. 3

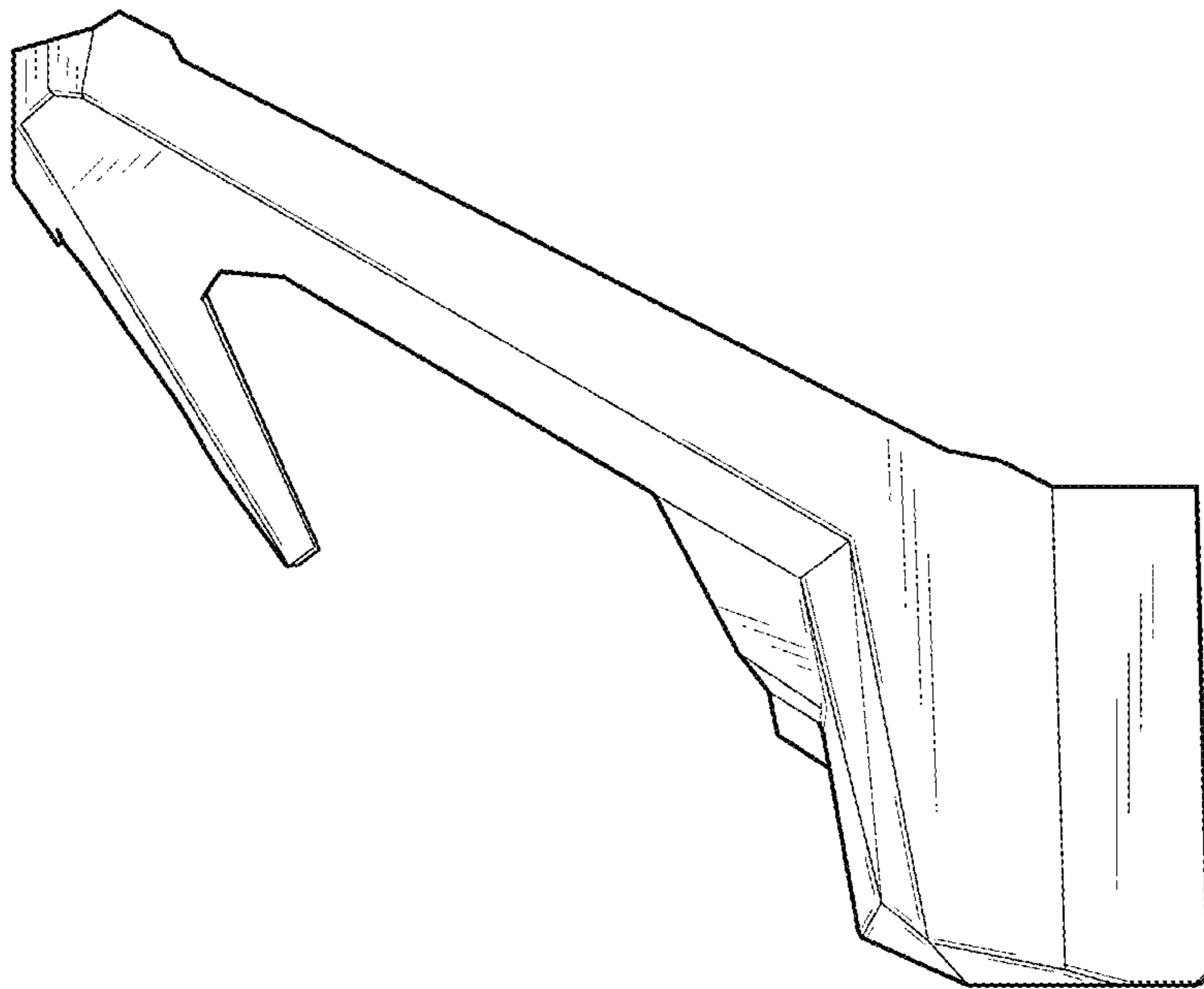


FIG. 4

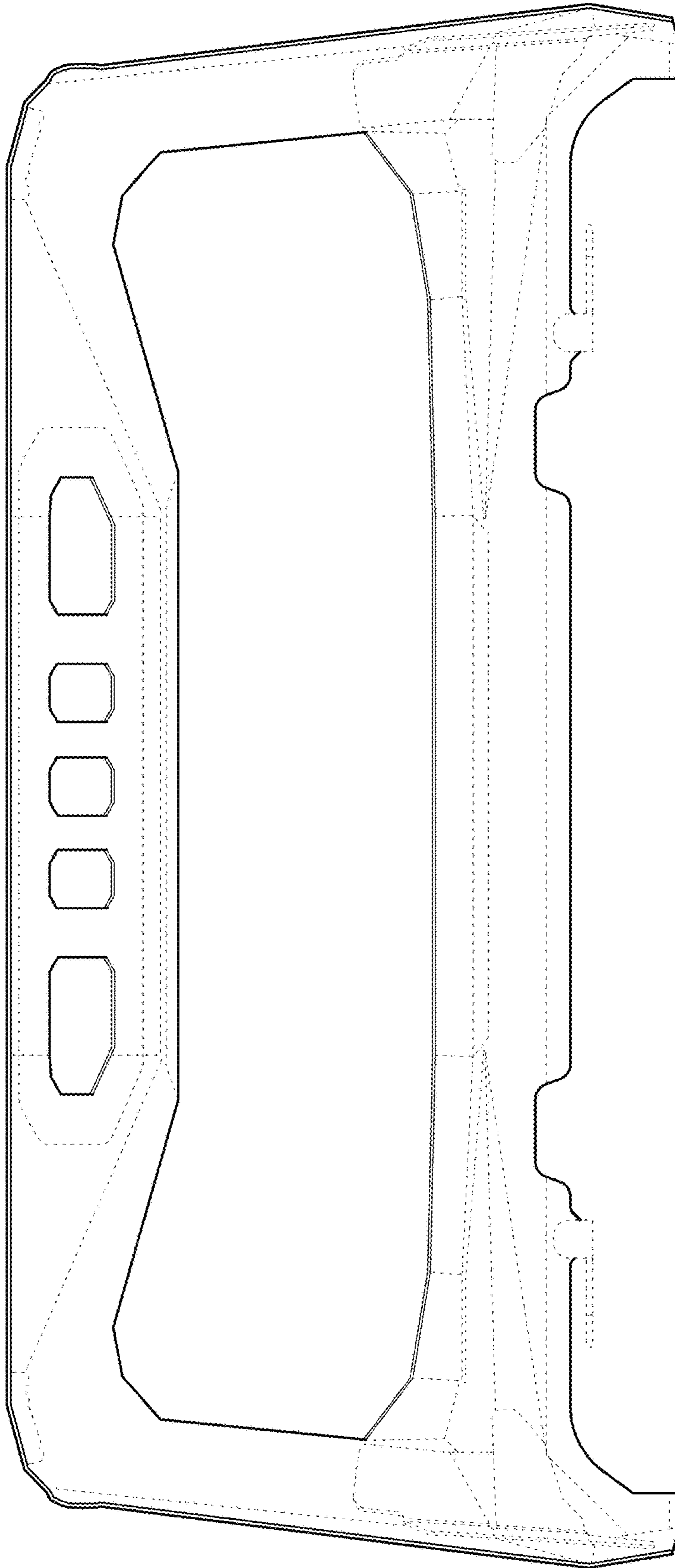


FIG. 5

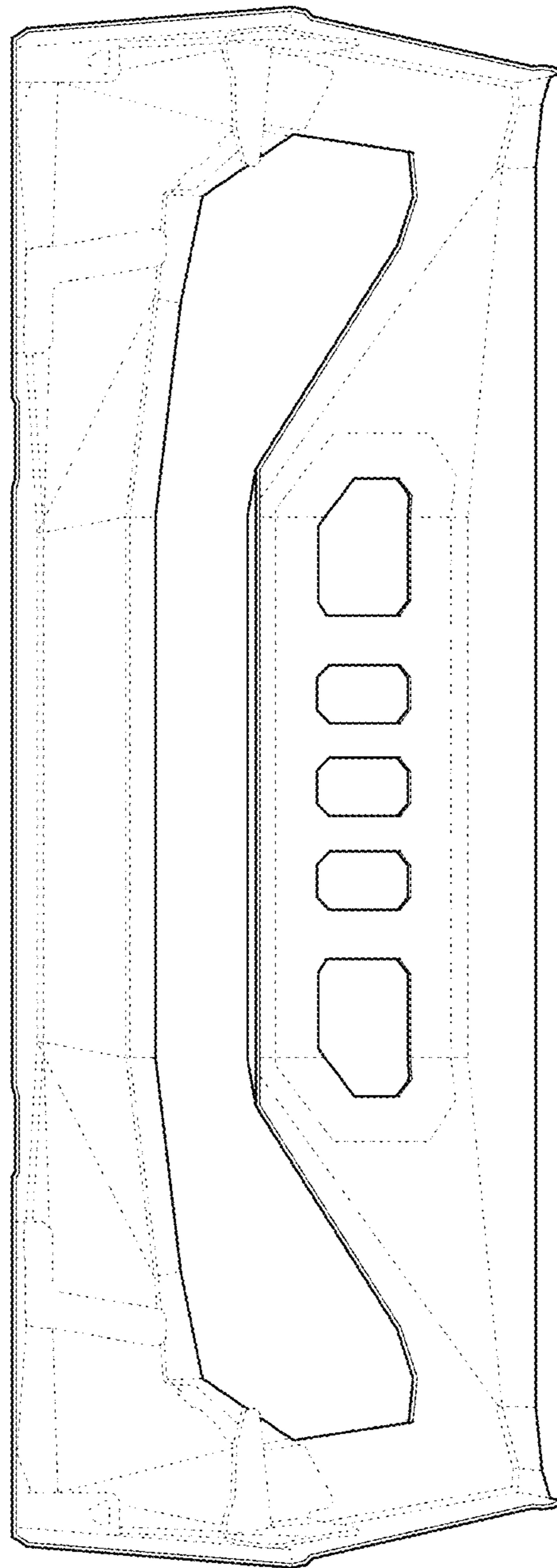


FIG. 6