



US00D785502S

(12) **United States Design Patent** (10) **Patent No.:** **US D785,502 S**
Dunshee et al. (45) **Date of Patent:** **** May 2, 2017**

(54) **FOUR-WHEELED VEHICLE OR
FOUR-WHEELED VEHICLE REPLICA**

(71) Applicant: **HONDA MOTOR CO., LTD.**, Tokyo
(JP)

(72) Inventors: **Erik Dunshee**, Torrance, CA (US); **Jun Tomiyama**, Wako (JP)

(73) Assignee: **HONDA MOTOR CO., LTD.**, Tokyo
(JP)

(**) Term: **15 Years**

(21) Appl. No.: **29/587,474**

(22) Filed: **Dec. 13, 2016**

Related U.S. Application Data

(62) Division of application No. 29/523,045, filed on Apr. 6, 2015.

(51) **LOC (10) Cl.** **12-13**

(52) **U.S. Cl.**
USPC **D12/14**

(58) **Field of Classification Search**
USPC D12/1, 12, 14, 15, 222, 223, 86, 400,
D12/401, 404, 406, 412, 414, 93, 101,
D12/173, 85, 87, 88, 91; 280/756
CPC B62D 35/00; B62D 39/00; B62D 47/00;
B62D 47/003; B62D 63/02; B62D
33/0617; B62D 33/00; A01B 59/02; B60L
2200/22; B60Y 2200/86; B60Y 2200/91;
B60R 21/13; B60R 21/11; B60R 21/131;
B60R 2021/0074; B60R 2021/0081;
B60R 2021/0083

See application file for complete search history.

(56) **References Cited**

U.S. PATENT DOCUMENTS

D633,006 S	2/2011	Sanschagrin et al.
D641,288 S	7/2011	Sun
D699,627 S	2/2014	Tang
D711,778 S	8/2014	Chun et al.
D712,309 S	9/2014	Wu et al.
D714,186 S	9/2014	Wu et al.
D716,694 S	11/2014	Higashikawa
D735,077 S	7/2015	Sato et al.
D756,845 S	5/2016	Flores
D764,974 S	8/2016	Mikhailov et al.
2012/0175950 A1	7/2012	Lin

(Continued)

Primary Examiner — T. Chase Nelson

Assistant Examiner — Ania Aman

(74) *Attorney, Agent, or Firm* — Birch, Stewart, Kolasch & Birch, LLP

(57) **CLAIM**

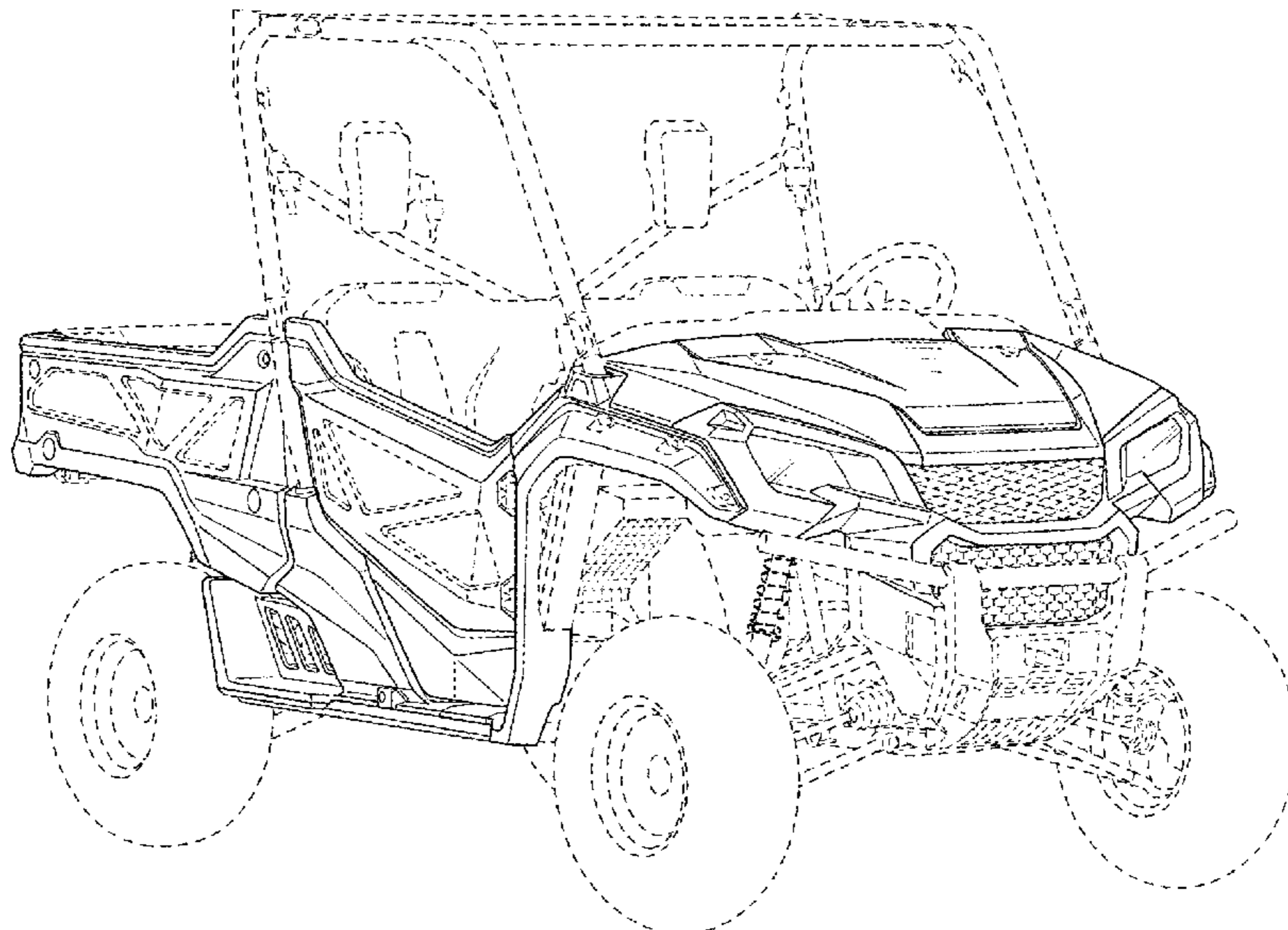
The ornamental design for a four-wheeled vehicle or a four-wheeled vehicle replica, as shown and described.

DESCRIPTION

FIG. 1 is a perspective view from the front left side view of a four-wheeled vehicle or a four-wheeled vehicle replica. FIG. 2 is a perspective view from the rear left side thereof. FIG. 3 is a perspective view from the front right side thereof. FIG. 4 is a perspective view from the rear right side thereof. FIG. 5 is a left side elevation view thereof. FIG. 6 is a right side elevation view thereof. FIG. 7 is a front elevation view thereof. FIG. 8 is a rear elevation view thereof. FIG. 9 is a top plan view thereof; and, FIG. 10 is a bottom plan view thereof.

The broken lines shown in the drawings illustrate portions of the four-wheeled vehicle that form no part of the claimed design.

1 Claim, 10 Drawing Sheets



(56)

References Cited

U.S. PATENT DOCUMENTS

2014/0210234 A1* 7/2014 Ricketts B60R 22/24
296/193.03
2014/0216832 A1 8/2014 Olsen et al.

* cited by examiner

FIG. 1

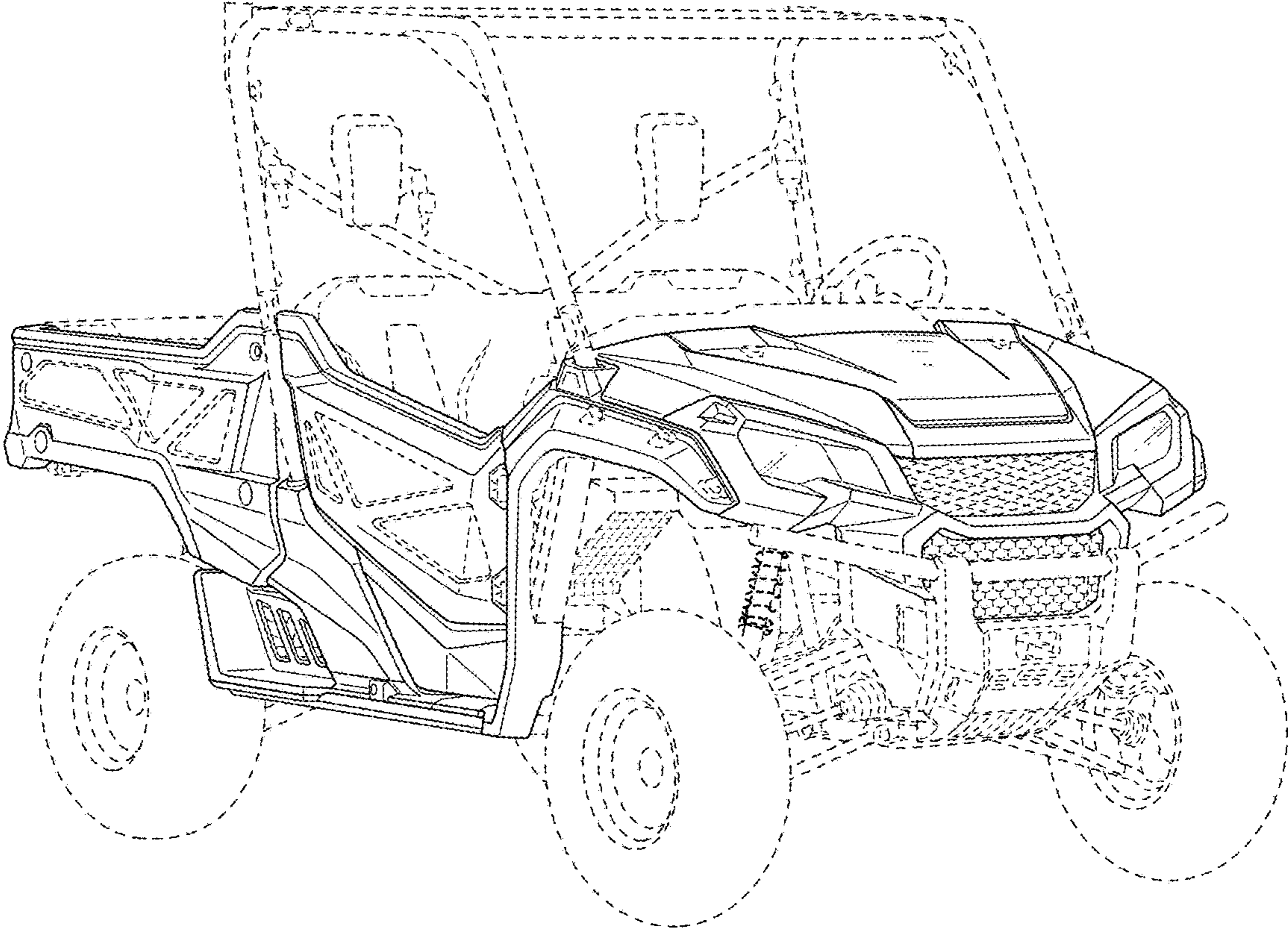


FIG. 2

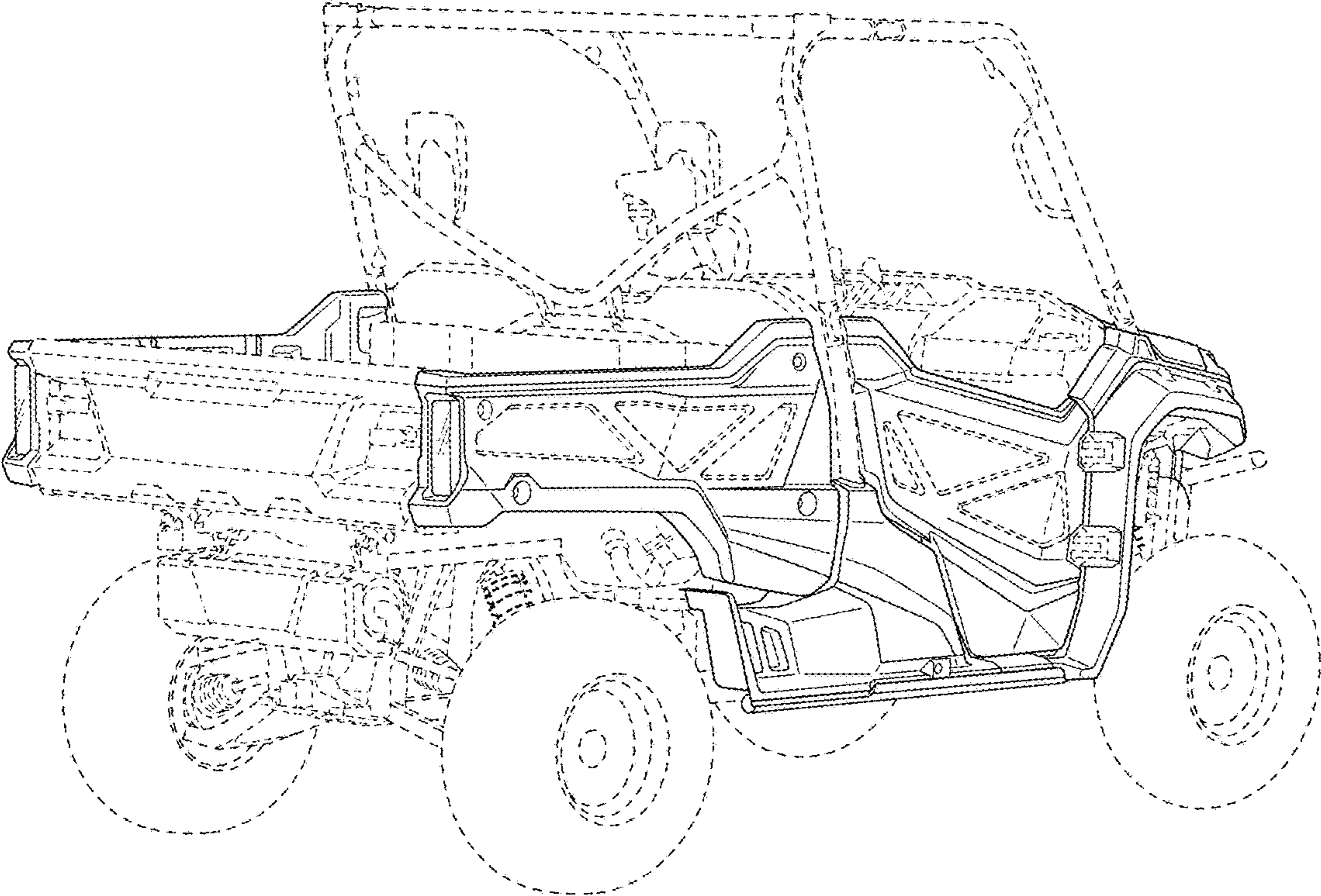


FIG. 3

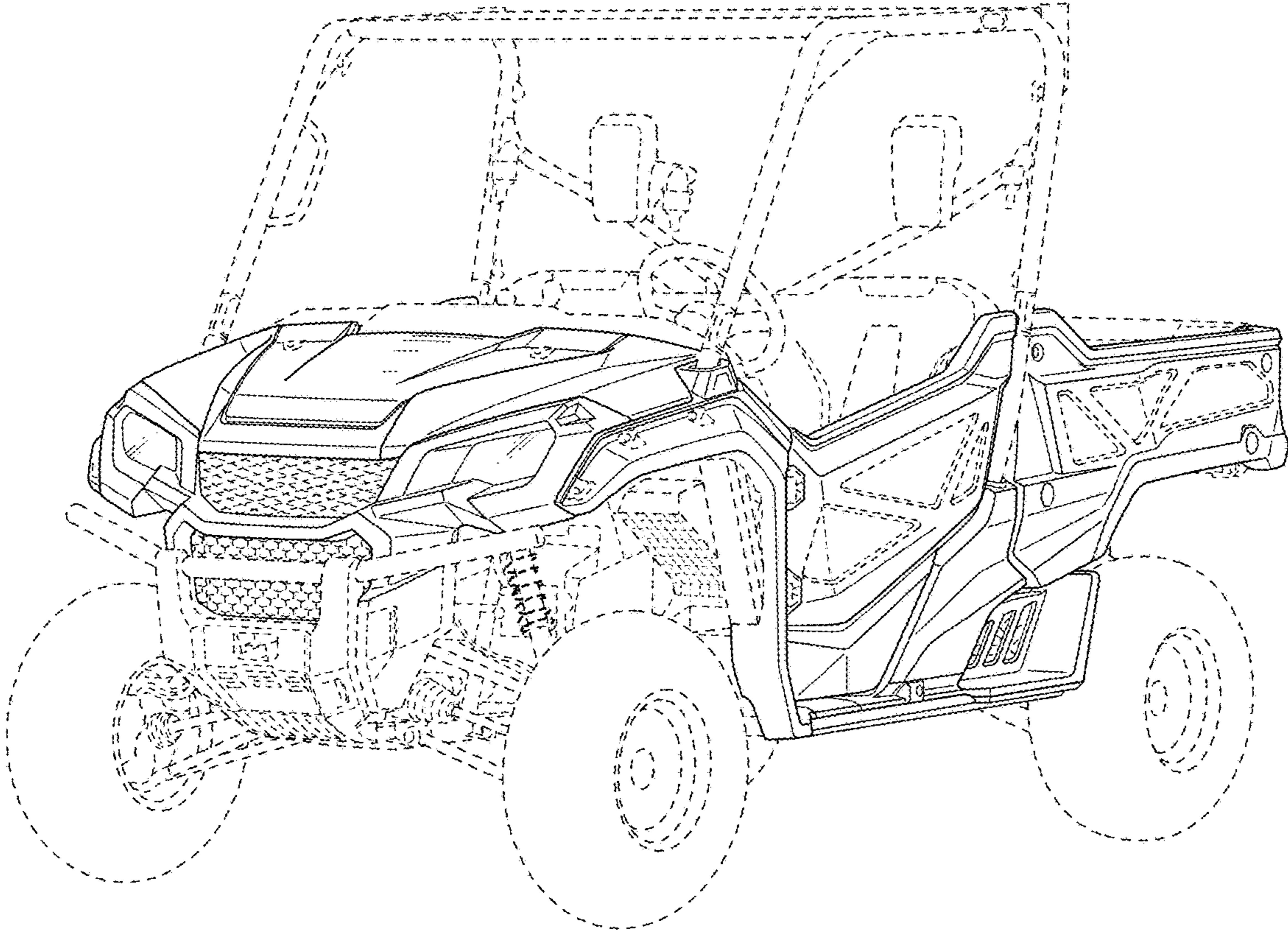


FIG. 4

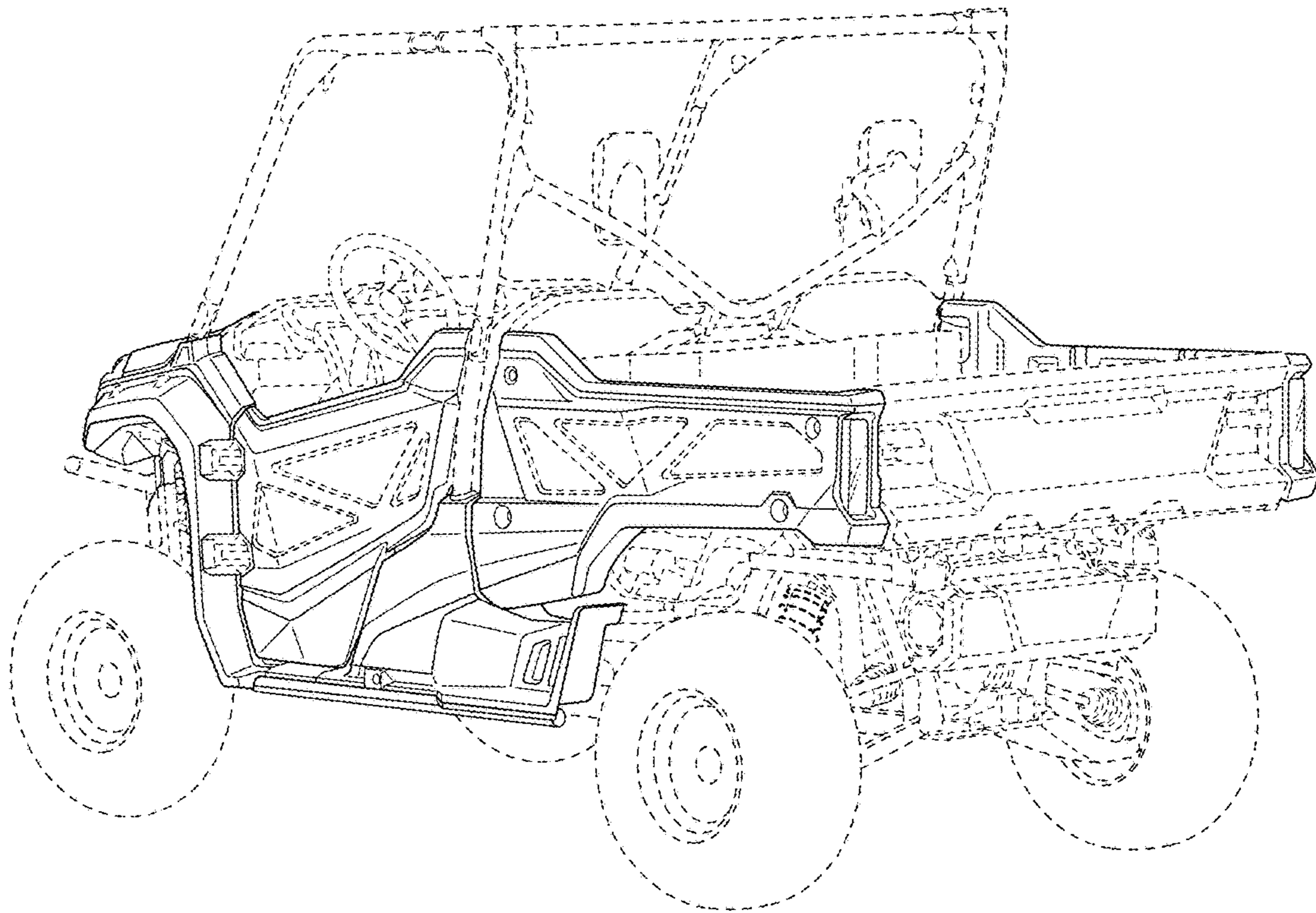


FIG. 5

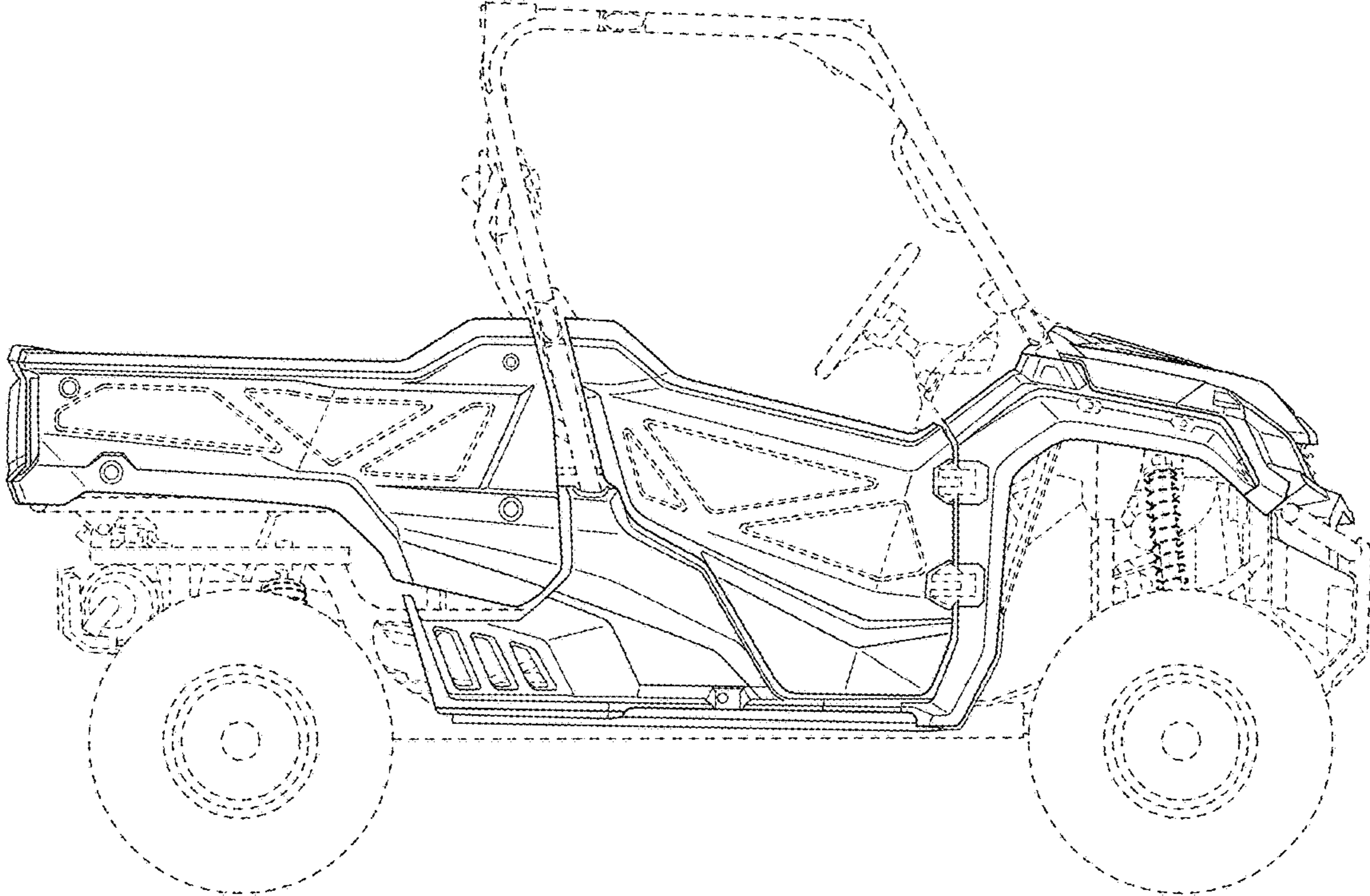


FIG. 6

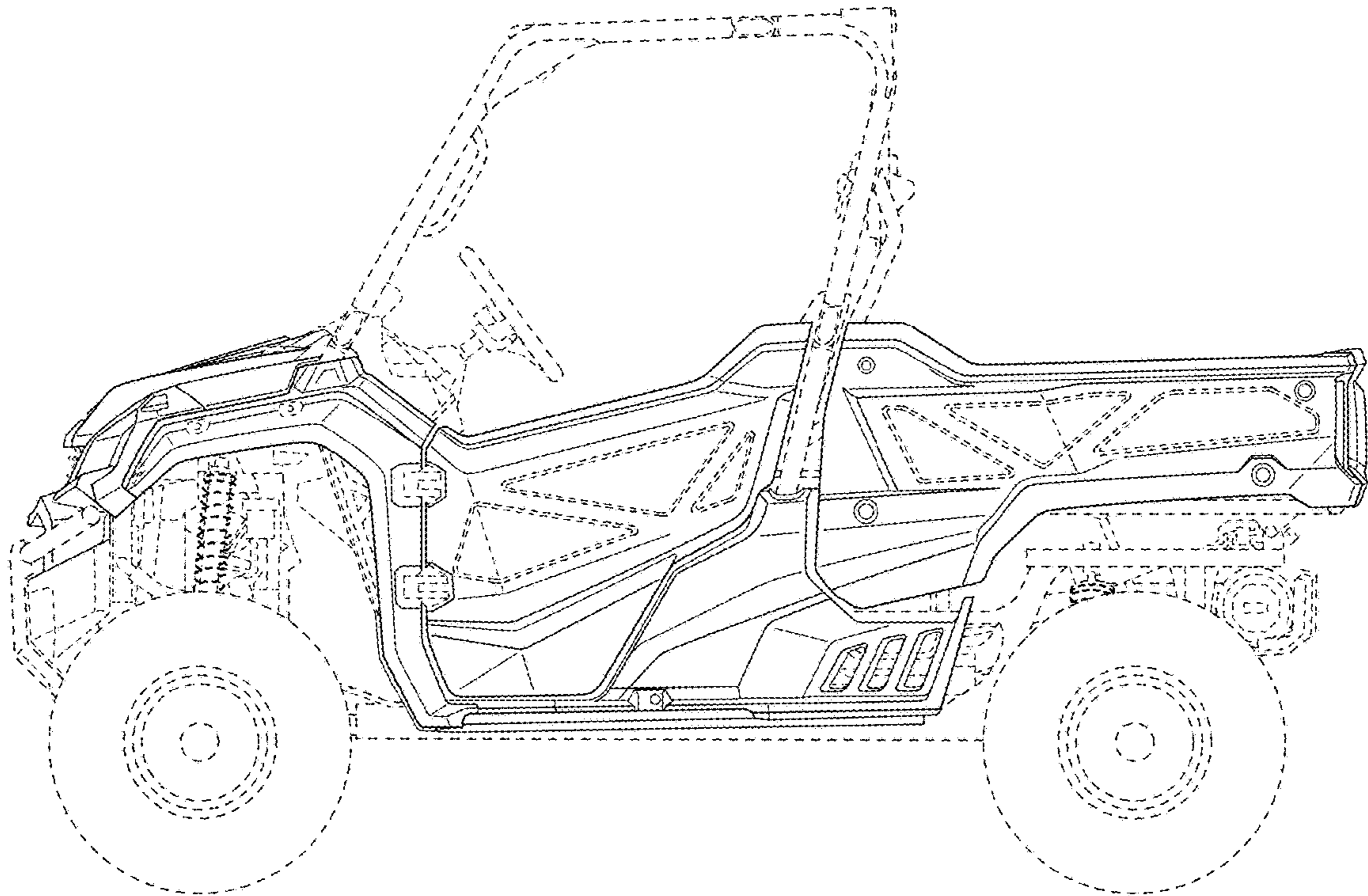


FIG. 7

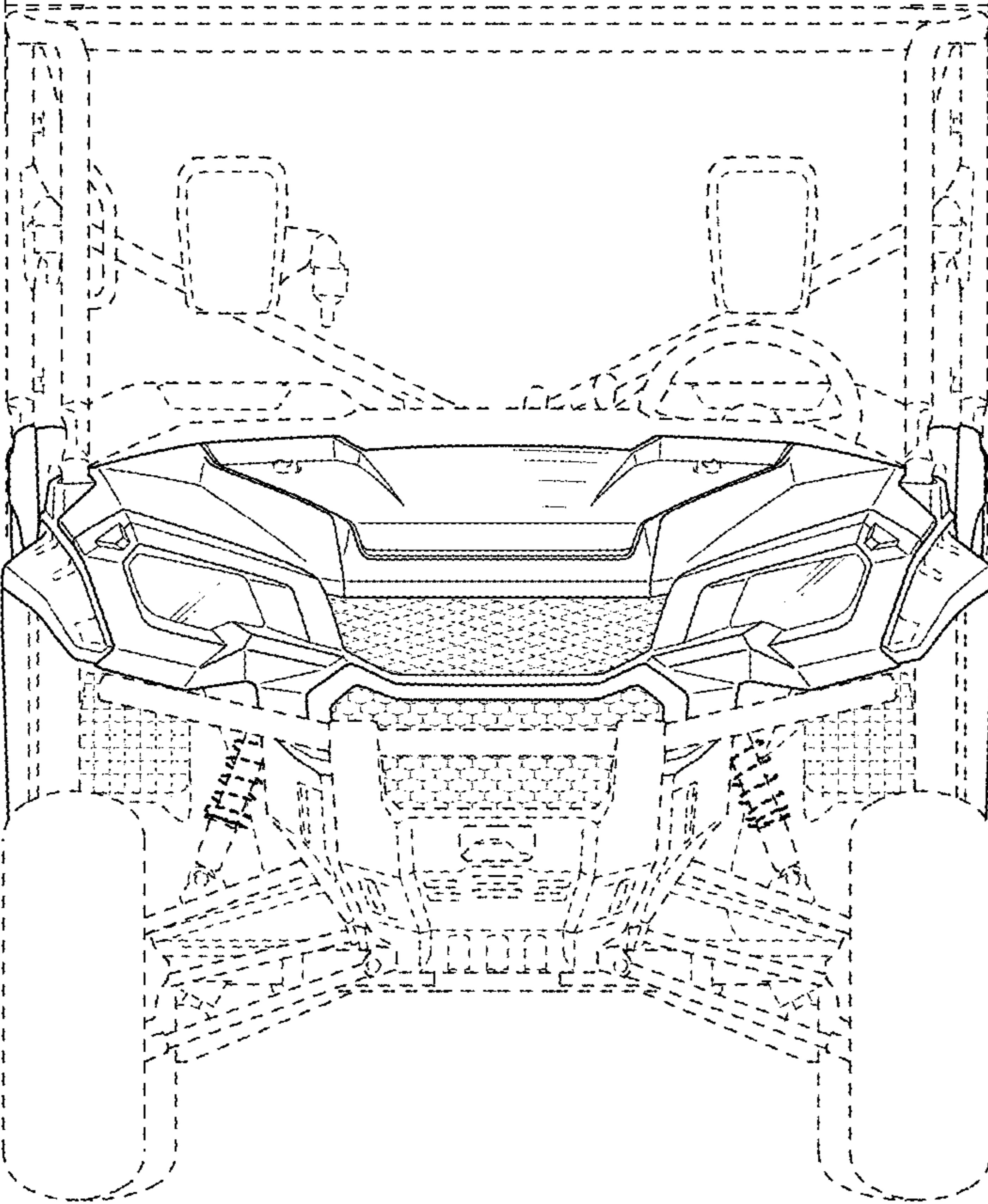


FIG. 8

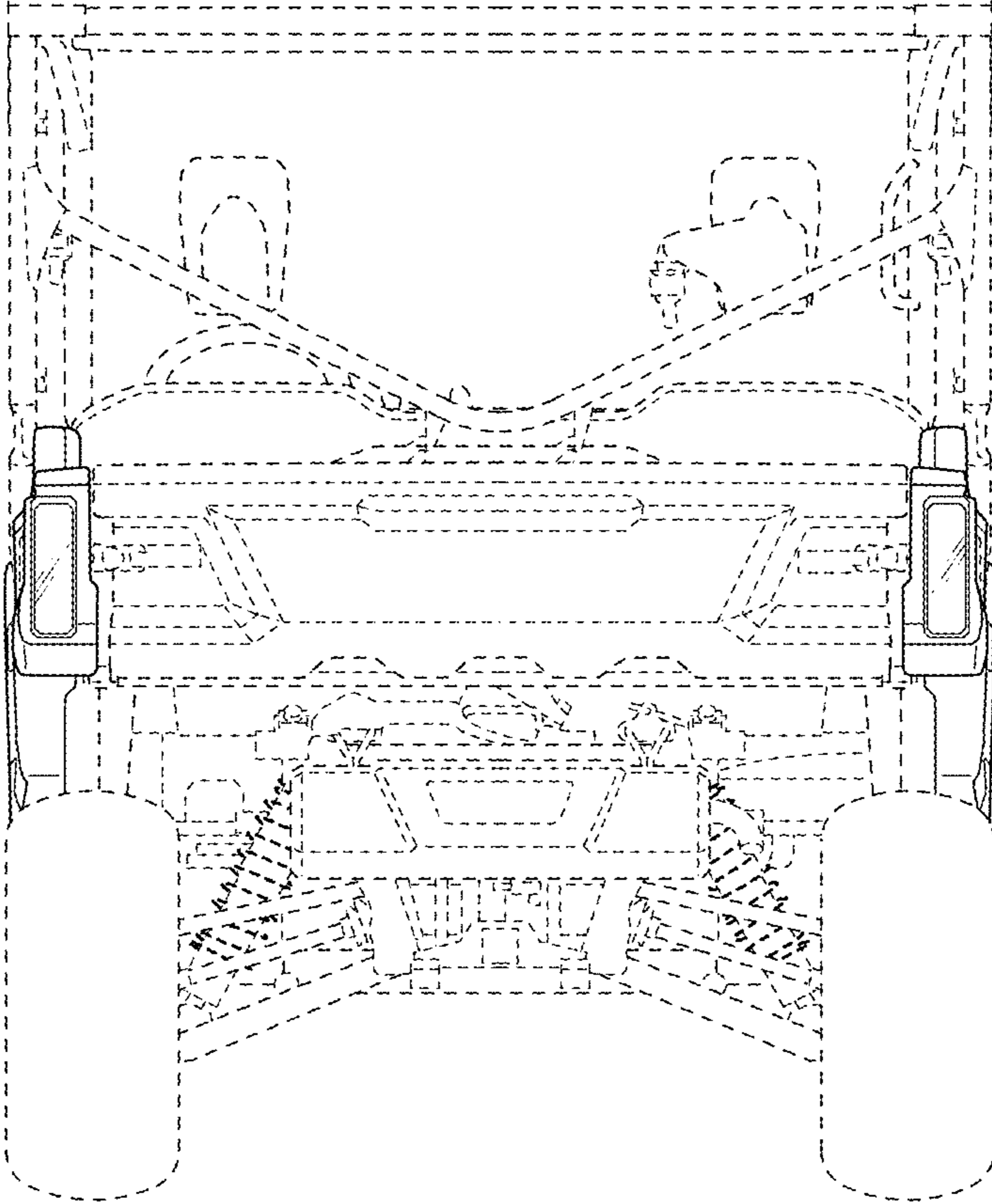


FIG. 9

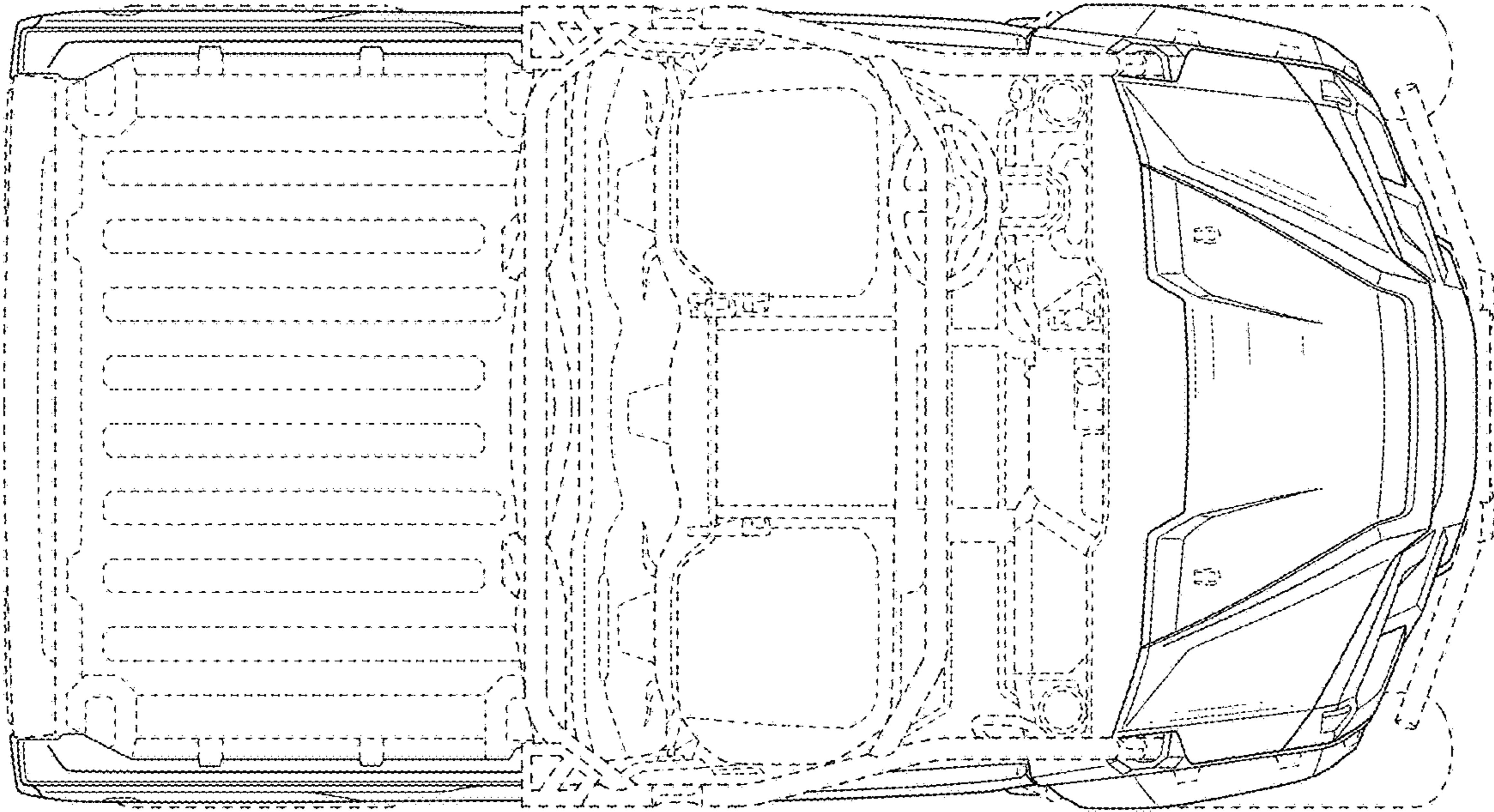


FIG. 10

