



US00D785499S

(12) **United States Design Patent**  
**Shay et al.**

(10) **Patent No.:** **US D785,499 S**

(45) **Date of Patent:** **\*\* May 2, 2017**

(54) **ZIPPER TOOTH**

(71) Applicant: **PASKAL ZIPPERS LTD.**, Kibbutz Yiron (IL)

(72) Inventors: **Eyal Shay**, Kibbutz Yiron (IL); **Dan Nir**, Kibbutz Yiron (IL)

(73) Assignee: **PASKAL ZIPPERS LTD.**, Kibbutz Yiron (IL)

(\*\*) Term: **15 Years**

(21) Appl. No.: **29/561,194**

(22) Filed: **Apr. 14, 2016**

**Related U.S. Application Data**

(62) Division of application No. 29/512,711, filed on Dec. 22, 2014, now Pat. No. Des. 757,603.

(51) **LOC (10) Cl.** ..... **02-07**

(52) **U.S. Cl.**  
USPC ..... **D11/221**

(58) **Field of Classification Search**  
USPC ..... D11/200–201, 221; 24/358–389, 412, 24/414–417, 421–422, 410, 391, 394, 24/401, 432; 2/265; D2/641; 294/2, 294/3.6; 223/111

CPC ..... A44B 19/00; A44B 19/02; A44B 19/04; A44B 19/10; A44B 19/24; A44B 19/26; A44B 19/30; A44B 19/06

See application file for complete search history.

(56) **References Cited**

**U.S. PATENT DOCUMENTS**

2,385,020 A \* 9/1945 Morin ..... A44B 19/04  
24/410  
3,736,628 A \* 6/1973 Hansen ..... A44B 19/40  
24/401

3,961,398 A \* 6/1976 Herterich ..... A44B 18/0019  
24/401  
4,231,138 A \* 11/1980 Moertel ..... A44B 19/346  
24/401  
4,713,946 A \* 12/1987 Hoerkens ..... A44B 19/04  
24/403  
6,065,192 A \* 5/2000 Wang ..... A44B 19/08  
24/396  
D628,123 S \* 11/2010 Kojima ..... D11/221  
D631,789 S \* 2/2011 Takani ..... D11/221

\* cited by examiner

*Primary Examiner* — Ralf Seifert

(74) *Attorney, Agent, or Firm* — Vorys, Sater, Seymour & Pease LLP

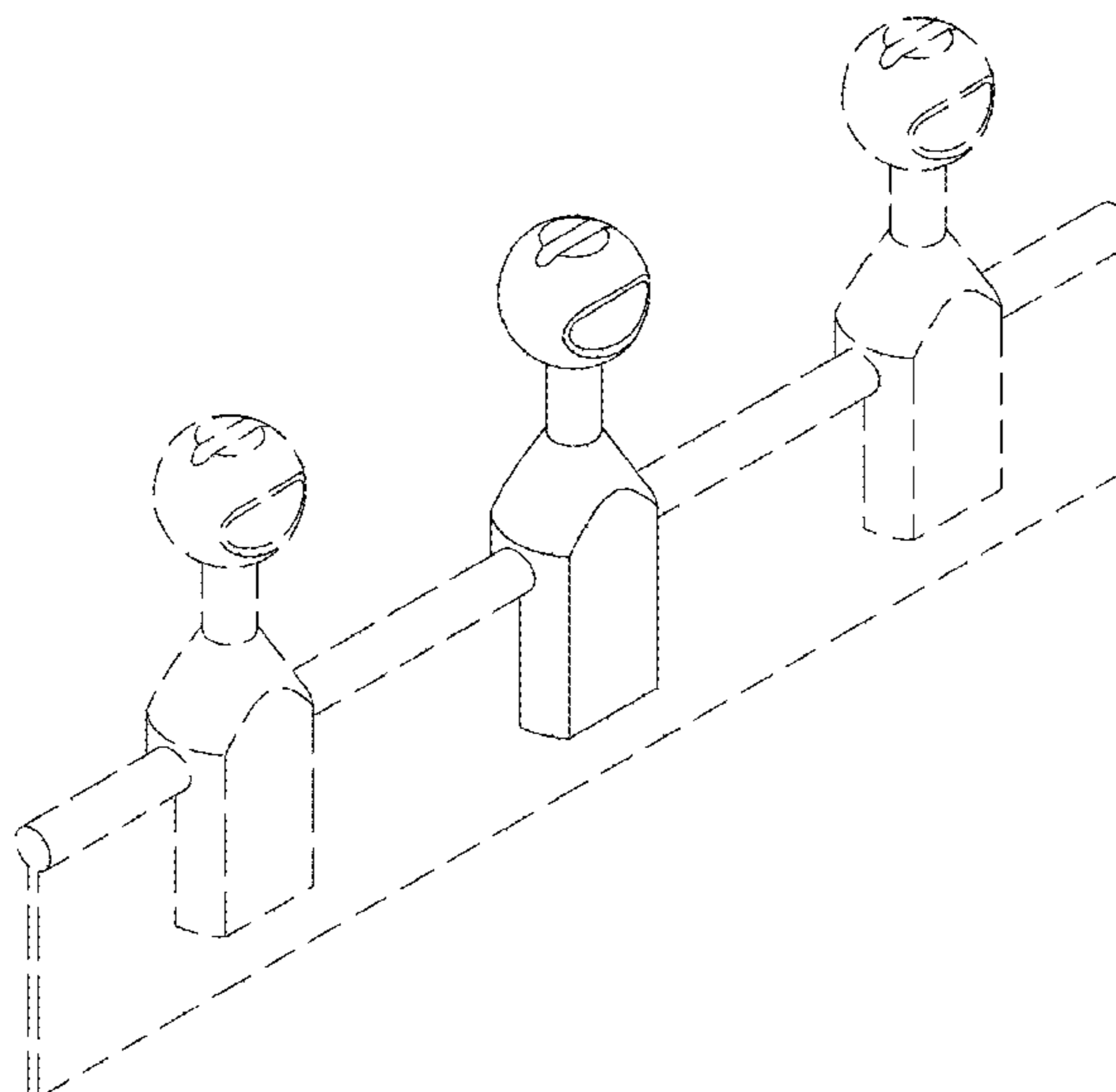
(57) **CLAIM**

The ornamental design for a zipper tooth, as shown and described.

**DESCRIPTION**

FIG. 1 is a perspective view for a tooth of a zipper, FIG. 2 is a front view of the design as seen in FIG. 1, the rear being a mirror image, FIG. 3 is a side view of the design as seen in FIG. 1, the other side being a mirror image, FIG. 4 is a top view of the design as seen in FIG. 1; and, FIG. 5 is a bottom view of the design as seen in FIG. 1. The broken lines shown throughout the drawings are for illustrative purposes only and form no part of the claimed design.

**1 Claim, 5 Drawing Sheets**



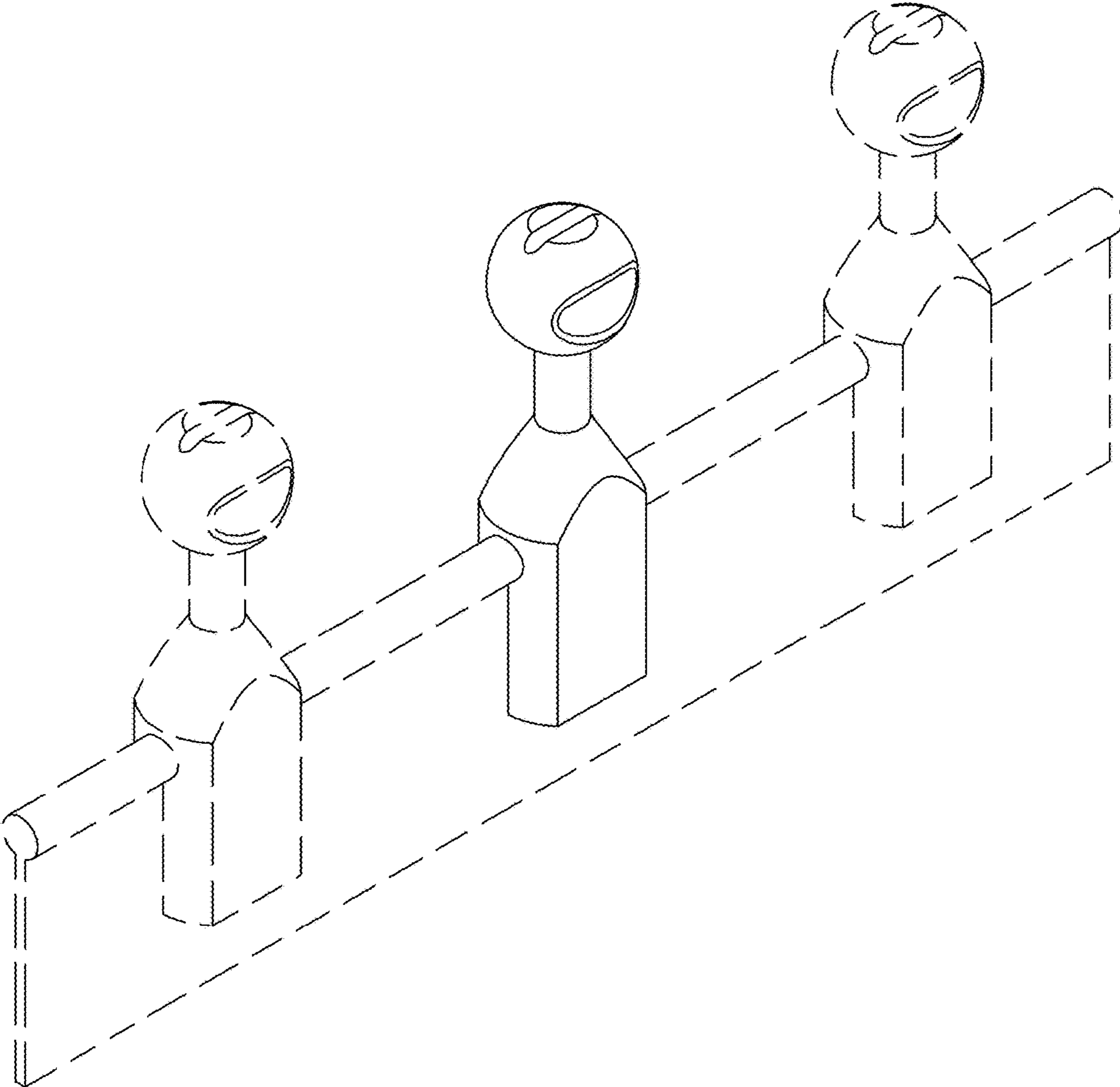


FIG. 1

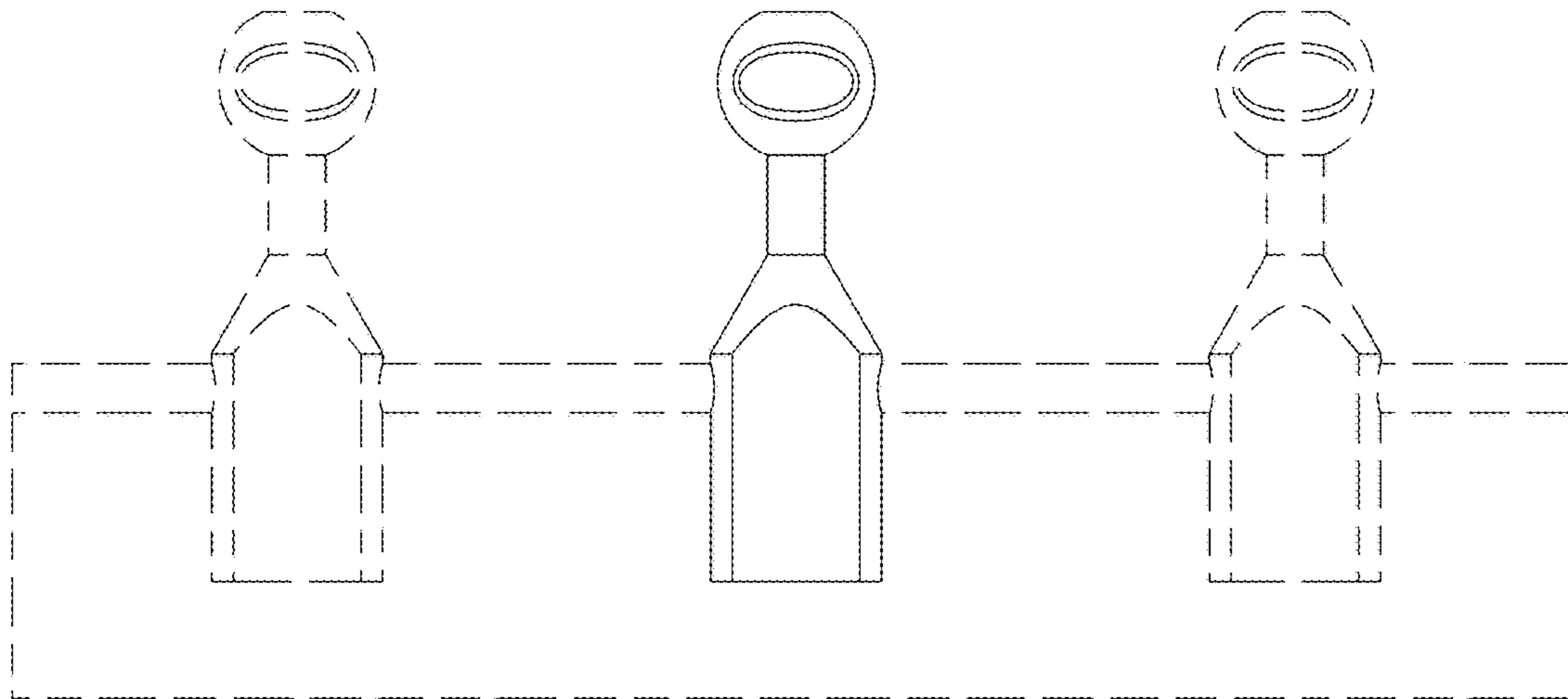


FIG. 2

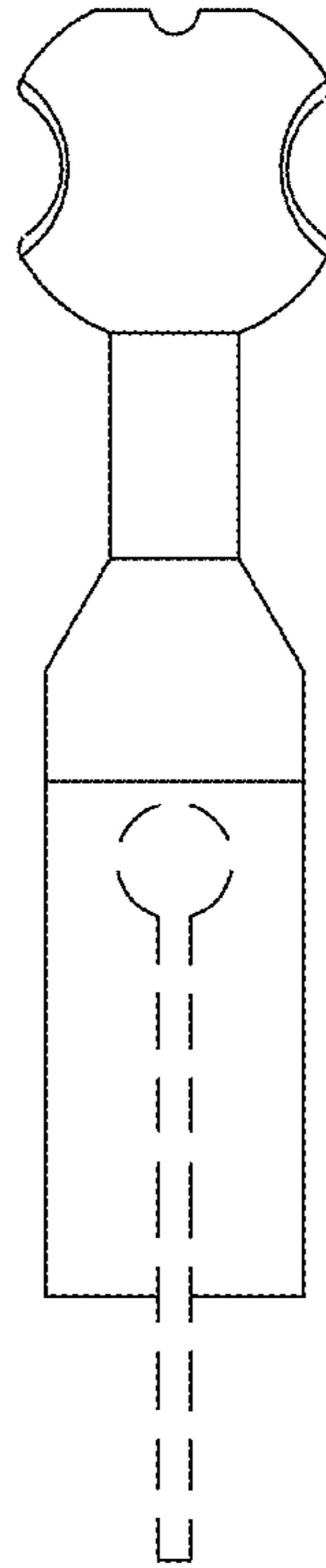


FIG. 3

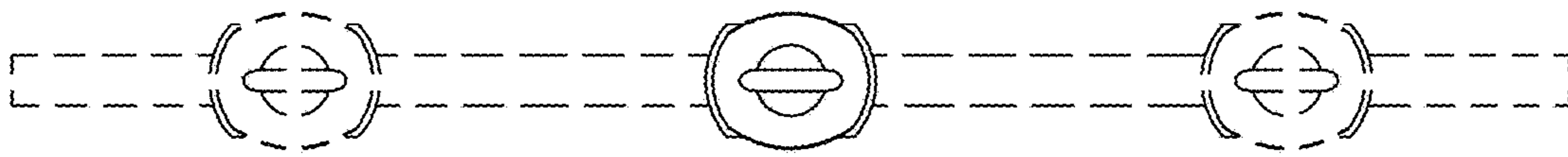


FIG. 4

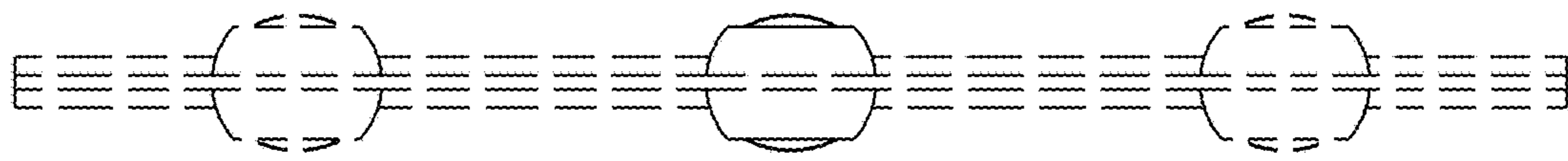


FIG. 5