



US00D785498S

(12) **United States Design Patent** (10) **Patent No.:** **US D785,498 S**
Shay et al. (45) **Date of Patent:** **** May 2, 2017**

(54) **ZIPPER TOOTH**

(71) Applicant: **PASKAL ZIPPERS LTD.**, Kibbutz Yiron (IL)

(72) Inventors: **Eyal Shay**, Kibbutz Yiron (IL); **Dan Nir**, Kibbutz Yiron (IL)

(73) Assignee: **PASKAL ZIPPERS LTD.**, Kibbutz Yiron (IL)

(**) Term: **15 Years**

(21) Appl. No.: **29/561,193**

(22) Filed: **Apr. 14, 2016**

Related U.S. Application Data

(62) Division of application No. 29/512,711, filed on Dec. 22, 2014, now Pat. No. Des. 757,603.

(51) **LOC (10) Cl.** **02-07**

(52) **U.S. Cl.**
USPC **D11/221**

(58) **Field of Classification Search**
USPC D11/200–201, 221; 24/381–383, 24/358–389, 412, 414–417, 421–422, 24/410, 391, 394, 401; 2/265; D2/641; 294/2, 3.6; 223/111
CPC A44B 19/00; A44B 19/02; A44B 19/04; A44B 19/10; A44B 19/24; A44B 19/26; A44B 19/30; A44B 19/06

See application file for complete search history.

(56) **References Cited**

U.S. PATENT DOCUMENTS

3,736,628 A *	6/1973	Hansen	A44B 19/40 24/401
D631,789 S *	2/2011	Takani	D11/221
D644,564 S *	9/2011	Kojima	D11/221
D757,603 S *	5/2016	Shay	D11/221

* cited by examiner

Primary Examiner — Ralf Seifert

(74) *Attorney, Agent, or Firm* — Vorys, Sater, Seymour & Pease LLP

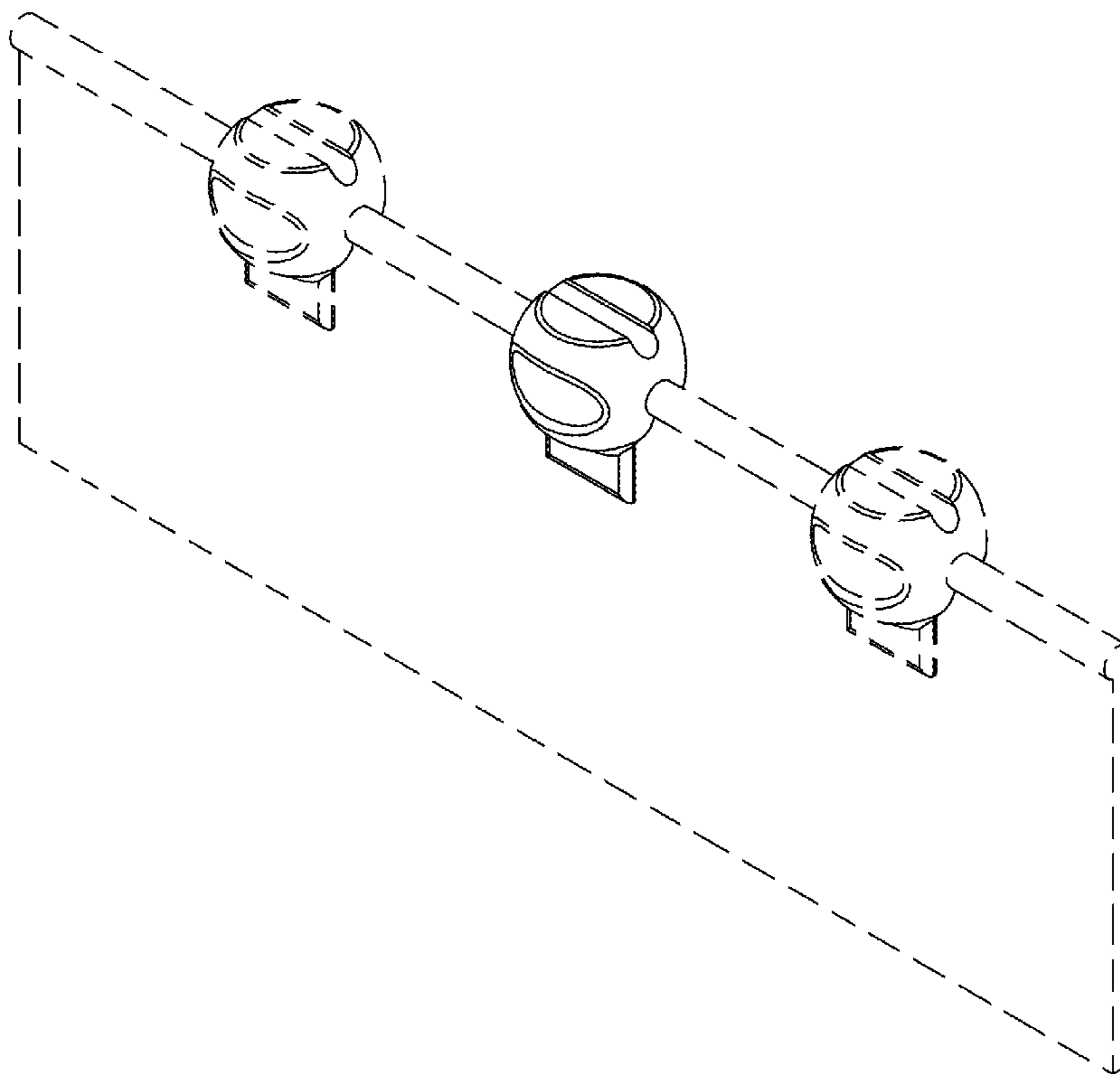
(57) **CLAIM**

The ornamental design for a zipper tooth, as shown and described.

DESCRIPTION

FIG. 1 is a perspective view for a tooth of a zipper, FIG. 2 is a front view of the design as seen in FIG. 1, the rear being a mirror image, FIG. 3 is a side view of the design as seen in FIG. 1, the other side being a mirror image, FIG. 4 is a top view of the design as seen in FIG. 1; and, FIG. 5 is a bottom view of the design as seen in FIG. 1. The broken lines shown throughout the drawings are for illustrative purposes only and form no part of the claimed design.

1 Claim, 5 Drawing Sheets



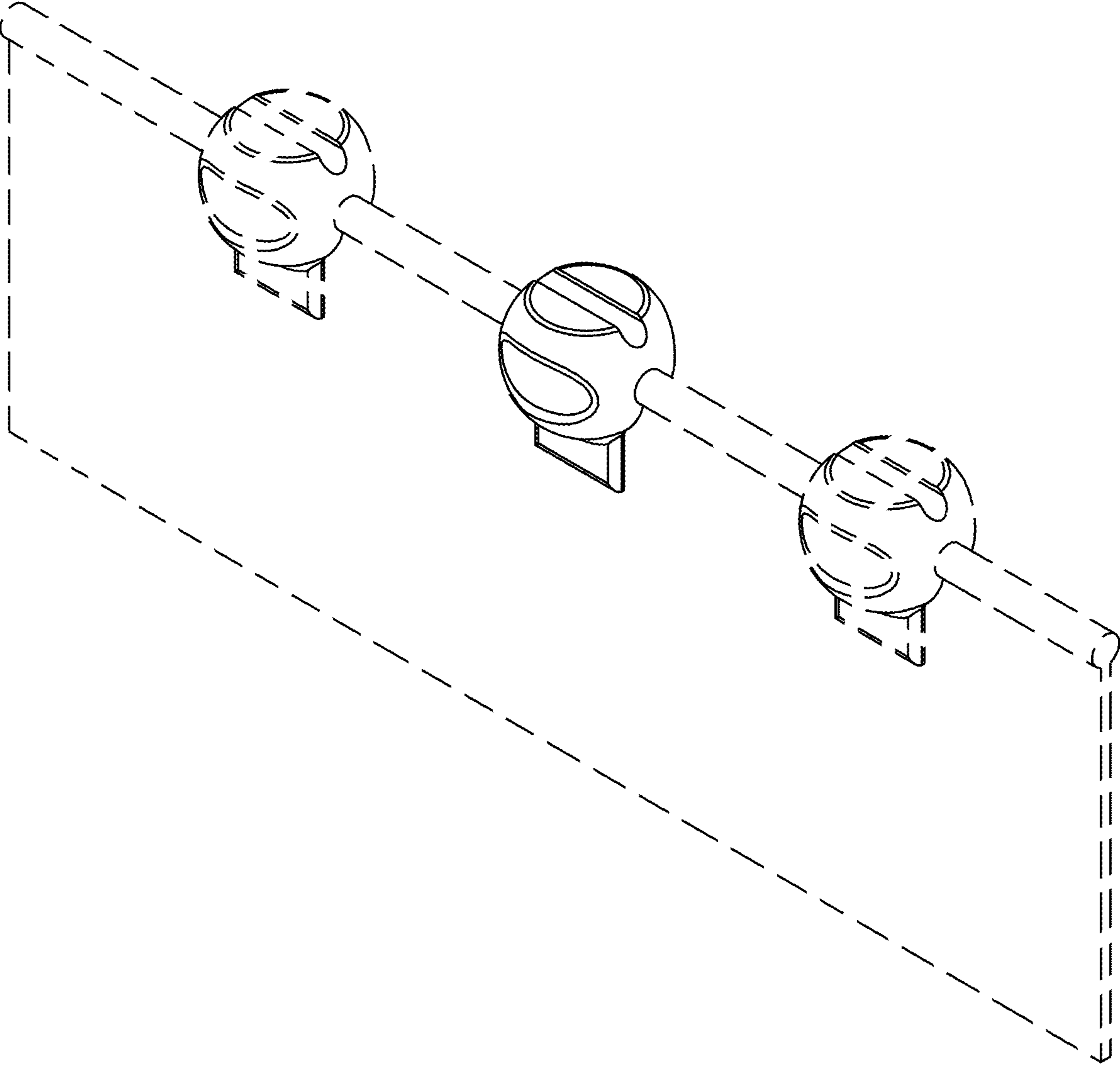


FIG. 1

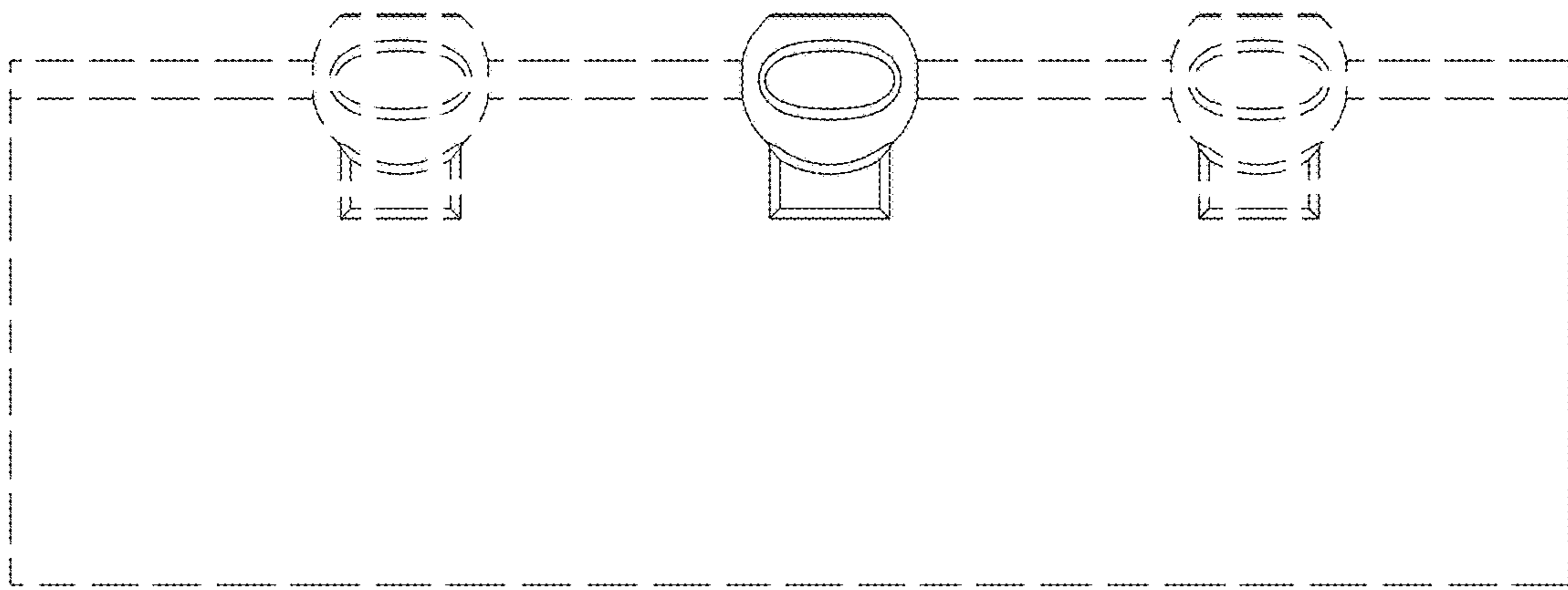


FIG. 2

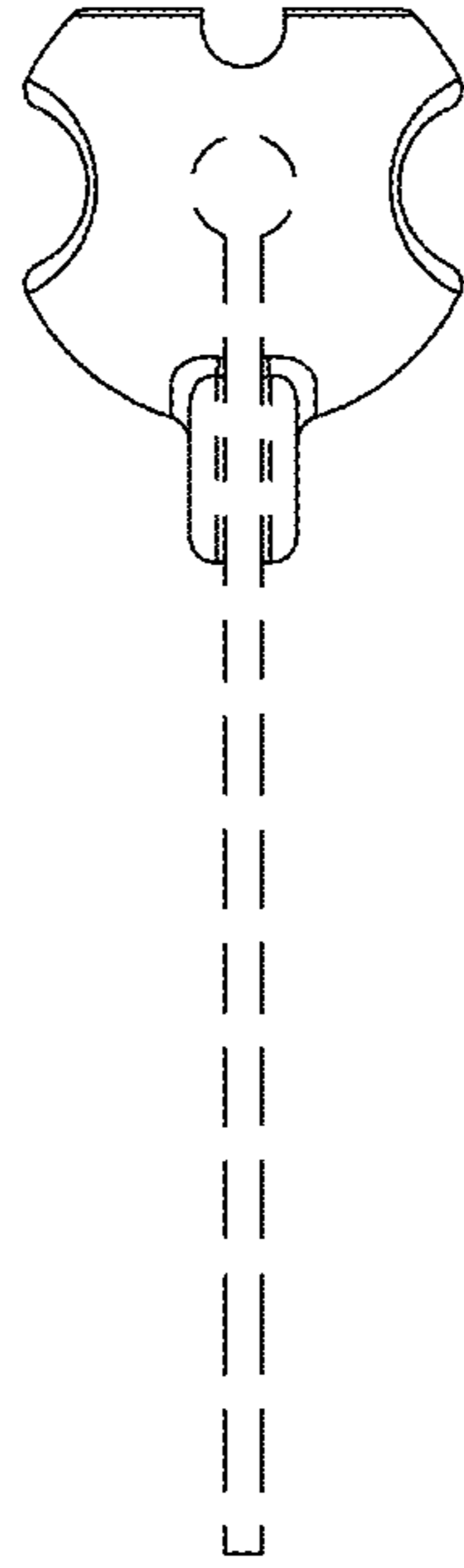


FIG. 3

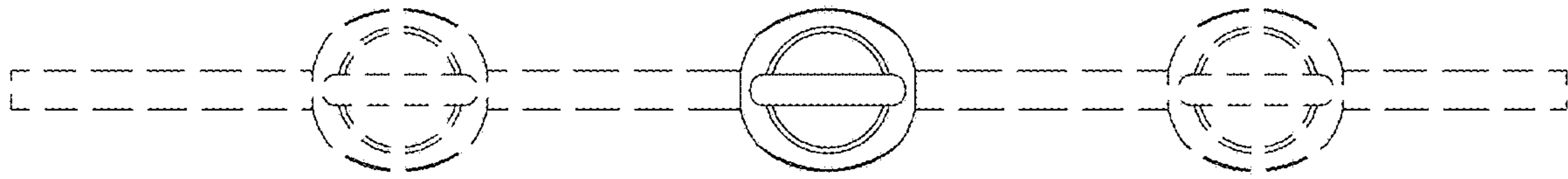


FIG. 4

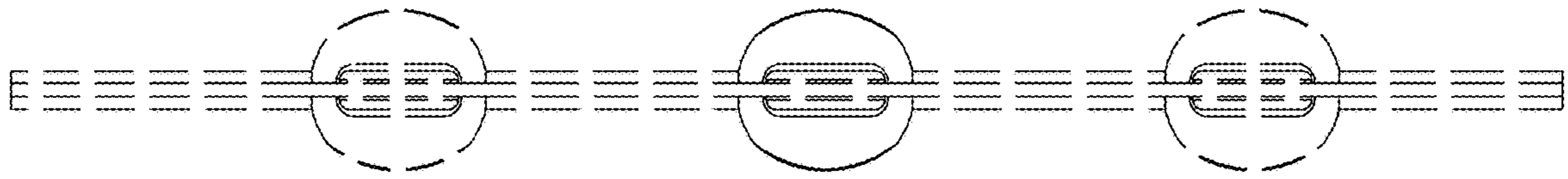


FIG. 5