



US00D785496S

(12) **United States Design Patent**  
**Shah**

(10) **Patent No.:** **US D785,496 S**

(45) **Date of Patent:** **\*\* May 2, 2017**

(54) **GEMSTONE**

(71) Applicant: **Kiran Jewels Inc.**, New York, NY (US)

(72) Inventor: **Tejas Shah**, New York, NY (US)

(73) Assignee: **KIRAN JEWELS INC.**, New York, NY (US)

(\*\*) Term: **15 Years**

(21) Appl. No.: **29/587,260**

(22) Filed: **Dec. 12, 2016**

(51) **LOC (10) Cl.** ..... **11-01**

(52) **U.S. Cl.**  
USPC ..... **D11/90**

(58) **Field of Classification Search**  
USPC ..... D11/1-2, 26-29, 89-92; 63/26-28, 32  
CPC ..... A44C 17/00  
See application file for complete search history.

(56) **References Cited**

**U.S. PATENT DOCUMENTS**

D251,659 S	4/1979	Grossbard	
D389,087 S *	1/1998	Kattan	D11/90
D400,121 S	10/1998	Ambar	
D402,582 S *	12/1998	Ambar	D11/89
D414,442 S	9/1999	Canale	
D415,062 S *	10/1999	Wolf	D11/90
D440,902 S	4/2001	Wolf	
D443,553 S	6/2001	Chan	
D454,517 S	3/2002	Yuan	
6,389,846 B1	5/2002	Siebenberg	
D458,183 S *	6/2002	Namdar	D11/90
D460,381 S	7/2002	Lai	
D463,316 S *	9/2002	Wolf	D11/90
D478,528 S	8/2003	Mehta	
D489,283 S *	5/2004	Wueste	D11/90
D513,478 S *	1/2006	Devash	D11/90
D527,301 S *	8/2006	Shah	D11/90

D534,095 S	12/2006	Lai	
D537,379 S *	2/2007	Namdar	D11/90
D545,238 S *	6/2007	Krochmal	D11/90
D548,131 S *	8/2007	Sha	D11/90
D562,178 S *	2/2008	Tsrer	D11/90
D562,179 S *	2/2008	Tsrer	D11/90

(Continued)

*Primary Examiner* — Ralf Seifert

(74) *Attorney, Agent, or Firm* — Hodgson Russ LLP

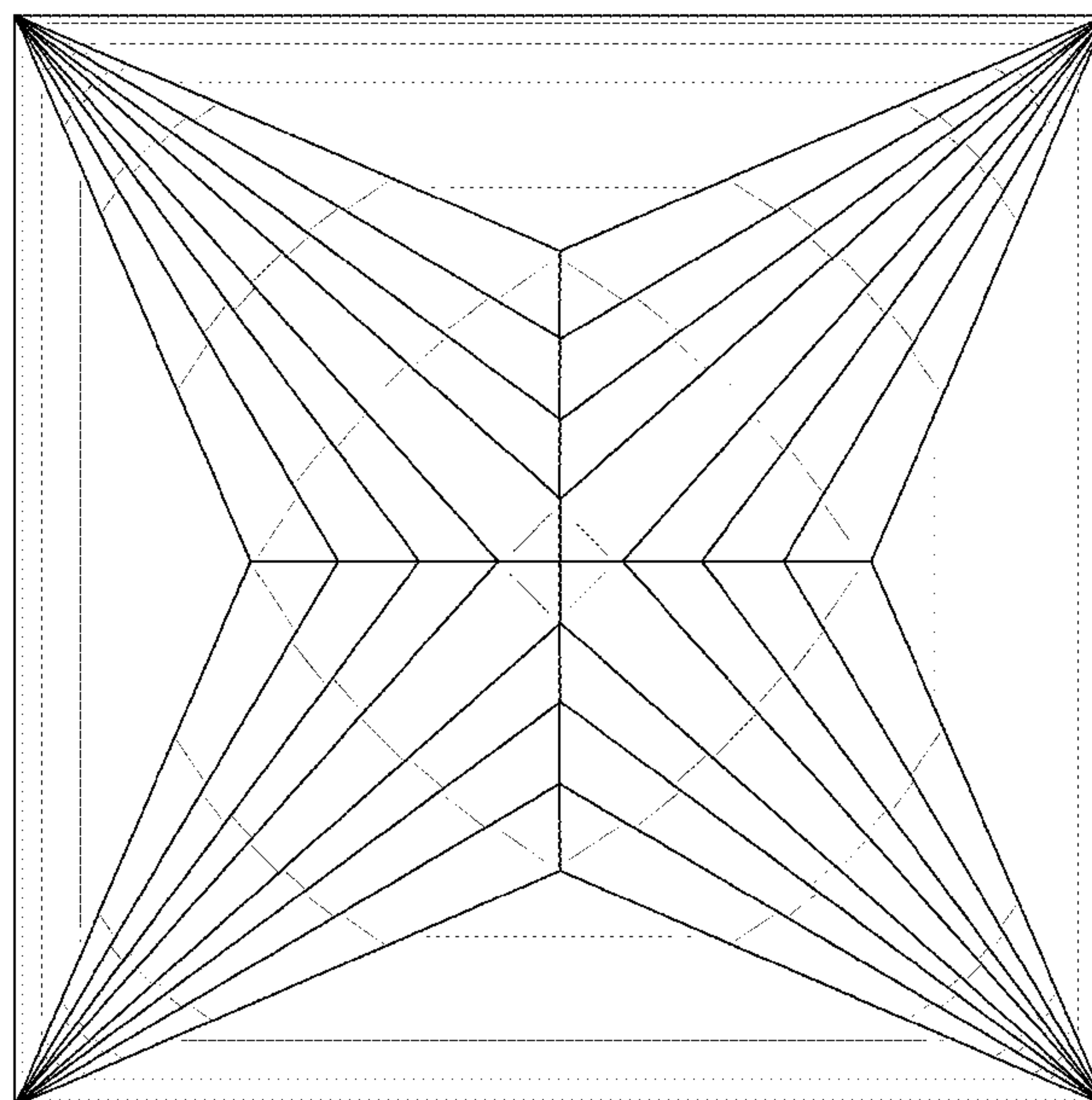
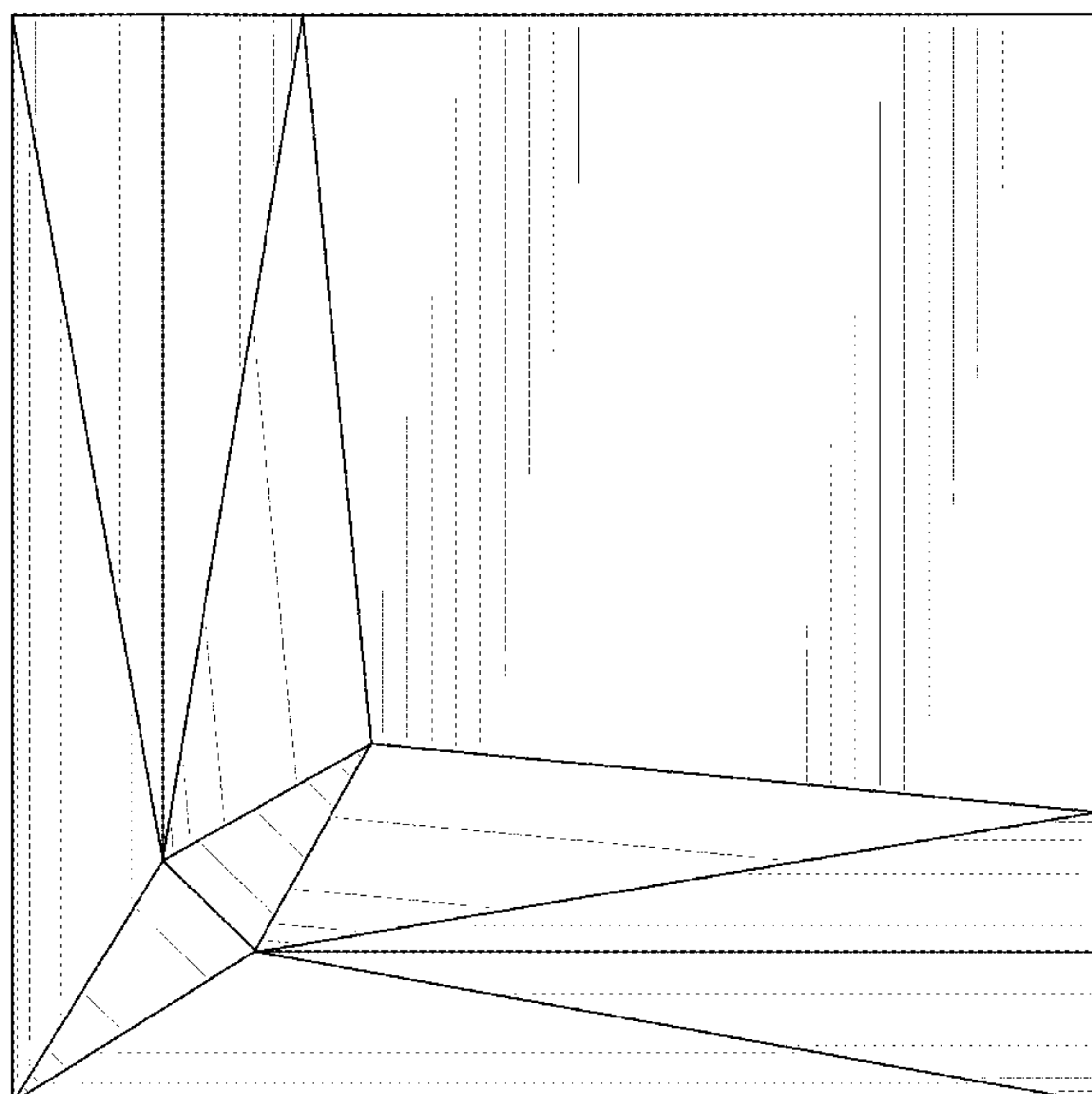
(57) **CLAIM**

The ornamental design for a gemstone, as shown and described.

**DESCRIPTION**

FIG. 1 is a top perspective view of a first embodiment of a gemstone, showing my new design;  
 FIG. 2 is a bottom perspective view thereof;  
 FIG. 3 is a front elevational view thereof;  
 FIG. 4 is a rear elevational view thereof;  
 FIG. 5 is a left side elevational view thereof;  
 FIG. 6 is a right side elevational view thereof;  
 FIG. 7 is a top plan view thereof;  
 FIG. 8 is a bottom plan view thereof;  
 FIG. 9 is a top perspective view thereof, showing the gemstone arranged adjacent additional, exemplary gemstones;  
 FIG. 10 is a top perspective view of a second embodiment of a gemstone, showing my new design;  
 FIG. 11 is a bottom elevational view of FIG. 10;  
 FIG. 12 is a front elevational view of FIG. 10;  
 FIG. 13 is a rear elevational view of FIG. 10;  
 FIG. 14 is a left side elevational view of FIG. 10;  
 FIG. 15 is a right side elevational view of FIG. 10;  
 FIG. 16 is a top plan view of FIG. 10; and,  
 FIG. 17 is a bottom plan view of FIG. 10.  
 The broken line showing of gemstones in FIG. 9 is included for the purpose of illustrating environmental matter and forms no part of the claimed design.

**1 Claim, 17 Drawing Sheets**



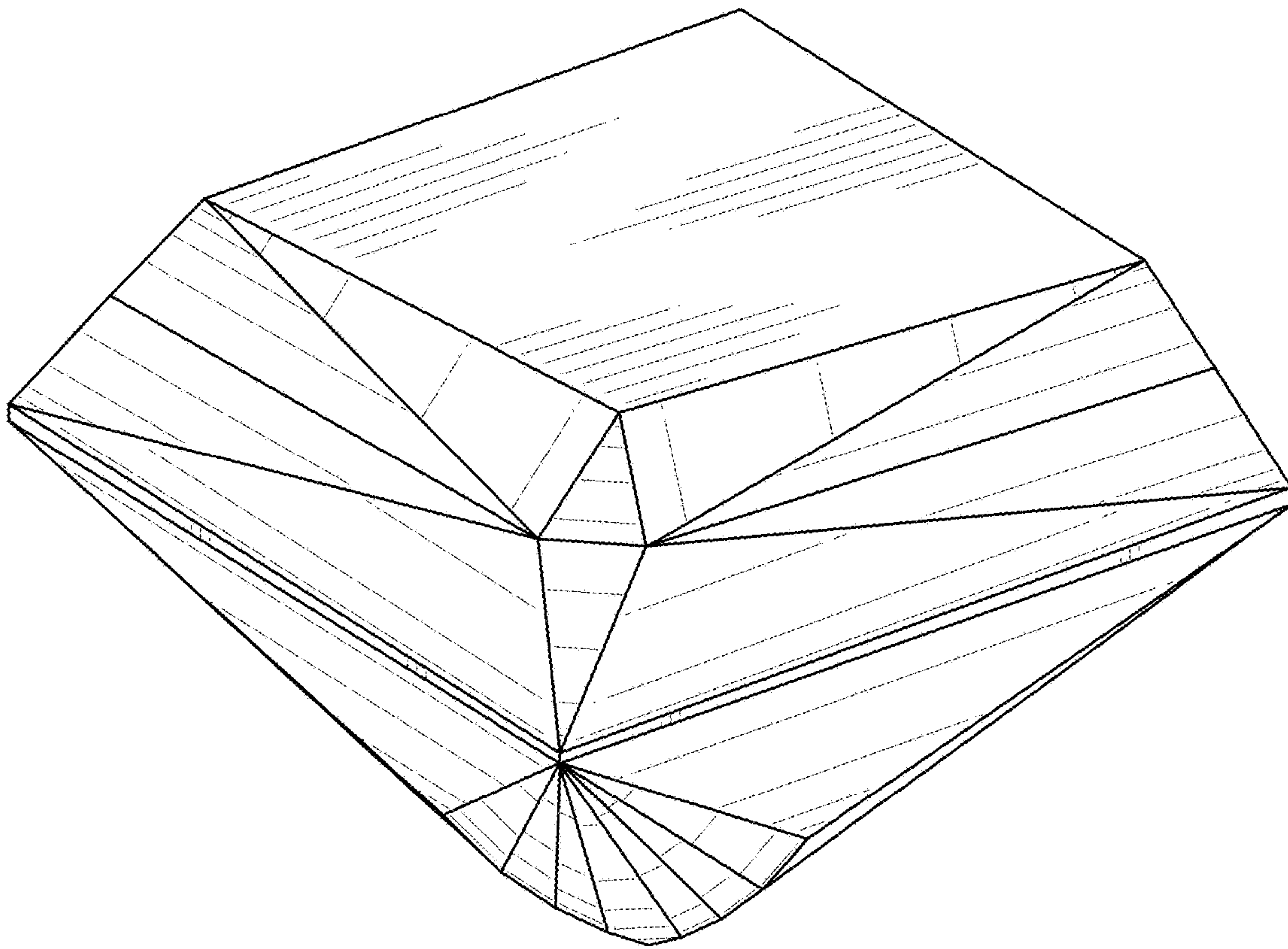
(56)

References Cited

U.S. PATENT DOCUMENTS

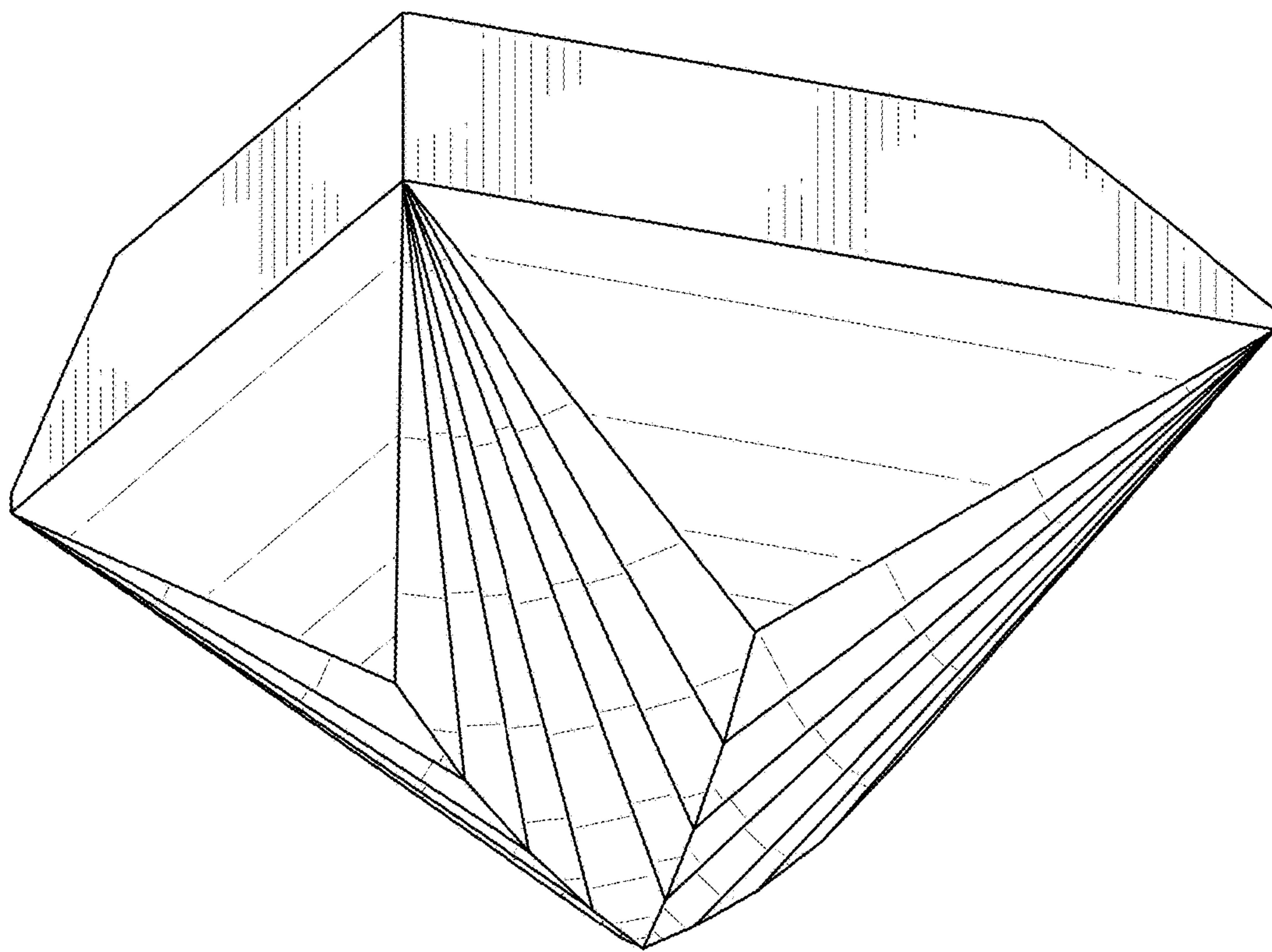
D566,609	S	*	4/2008	Novikov .....	D11/90
D581,828	S	*	12/2008	Mehta .....	D11/90
D583,702	S		12/2008	Habif	
D584,992	S		1/2009	Mehta	
D596,981	S		7/2009	Hodara	
D605,973	S	*	12/2009	Taran .....	D11/90
D624,844	S	*	10/2010	So .....	D11/90
D633,408	S	*	3/2011	So .....	D11/90
D633,817	S	*	3/2011	So .....	D11/90
D633,818	S	*	3/2011	So .....	D11/90
D640,951	S	*	7/2011	Parikh .....	D11/90
D653,154	S	*	1/2012	Shah .....	D11/90
D654,825	S	*	2/2012	Parikh .....	D11/90
D662,438	S	*	6/2012	Shah .....	D11/90
D664,883	S		8/2012	Parikh	
D678,112	S		3/2013	Jhaveri	
D678,113	S		3/2013	Jhaveri	
D684,086	S	*	6/2013	Jhaveri .....	D11/90
D684,885	S	*	6/2013	Kothari .....	D11/90
D695,147	S		12/2013	Jhaveri	
D727,781	S		4/2015	Ghassabian	
D739,292	S	*	9/2015	Hamers .....	D11/90
D757,597	S	*	5/2016	Patel .....	D11/90
D758,240	S	*	6/2016	Dhanani .....	D11/90
2010/0319399	A1		12/2010	Mandell	
2014/0190209	A1		7/2014	Lipton	

\* cited by examiner

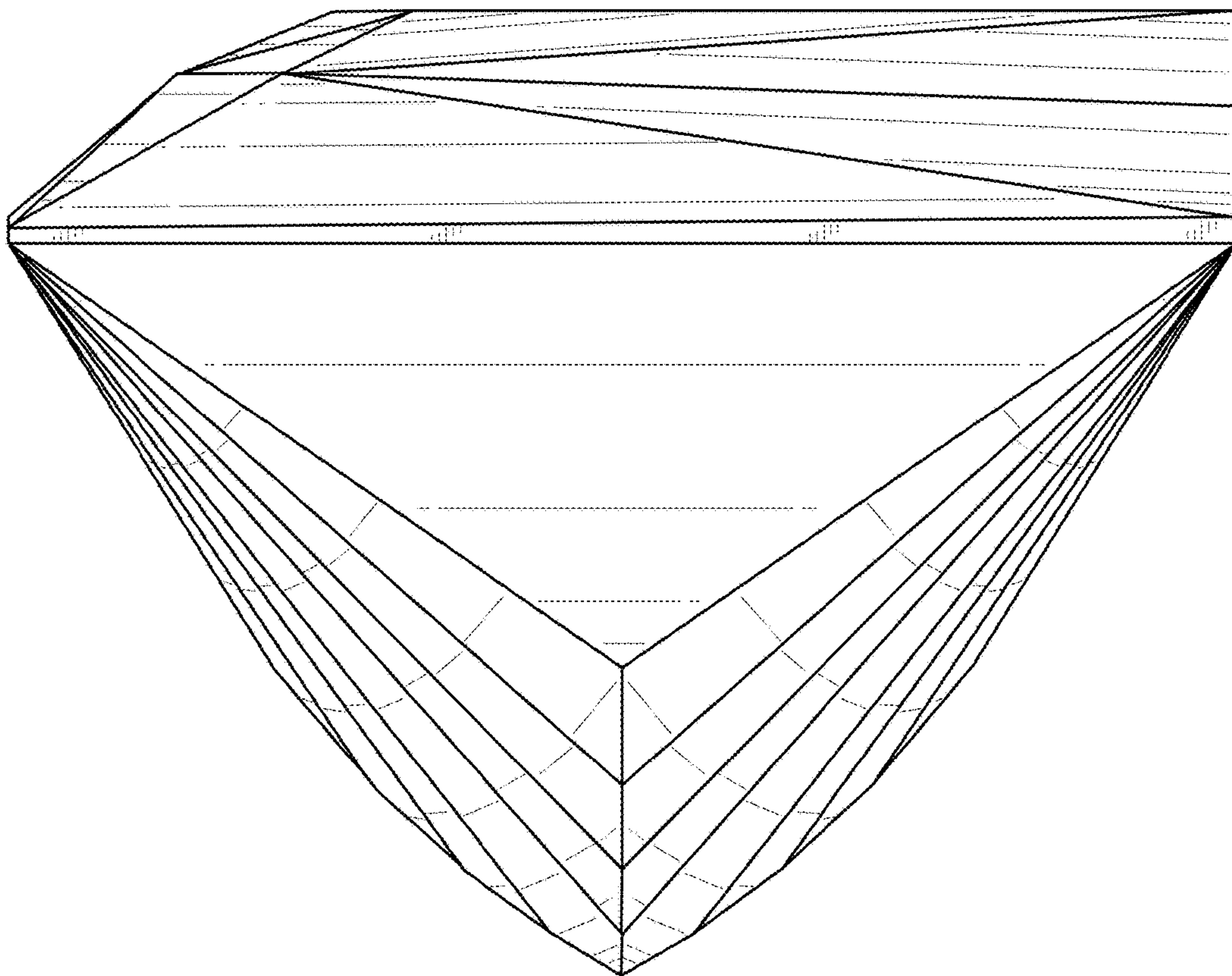


**FIG. 1**

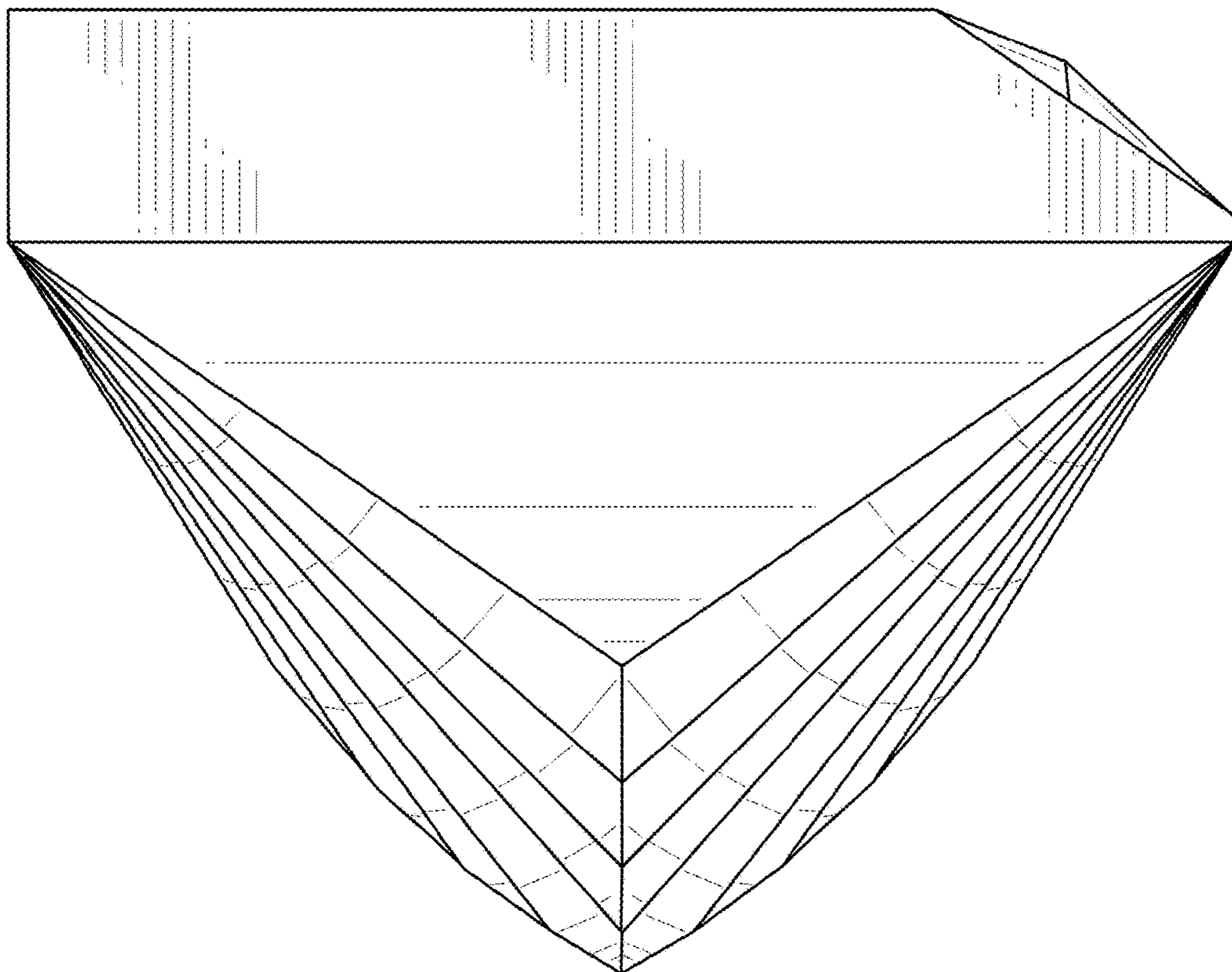




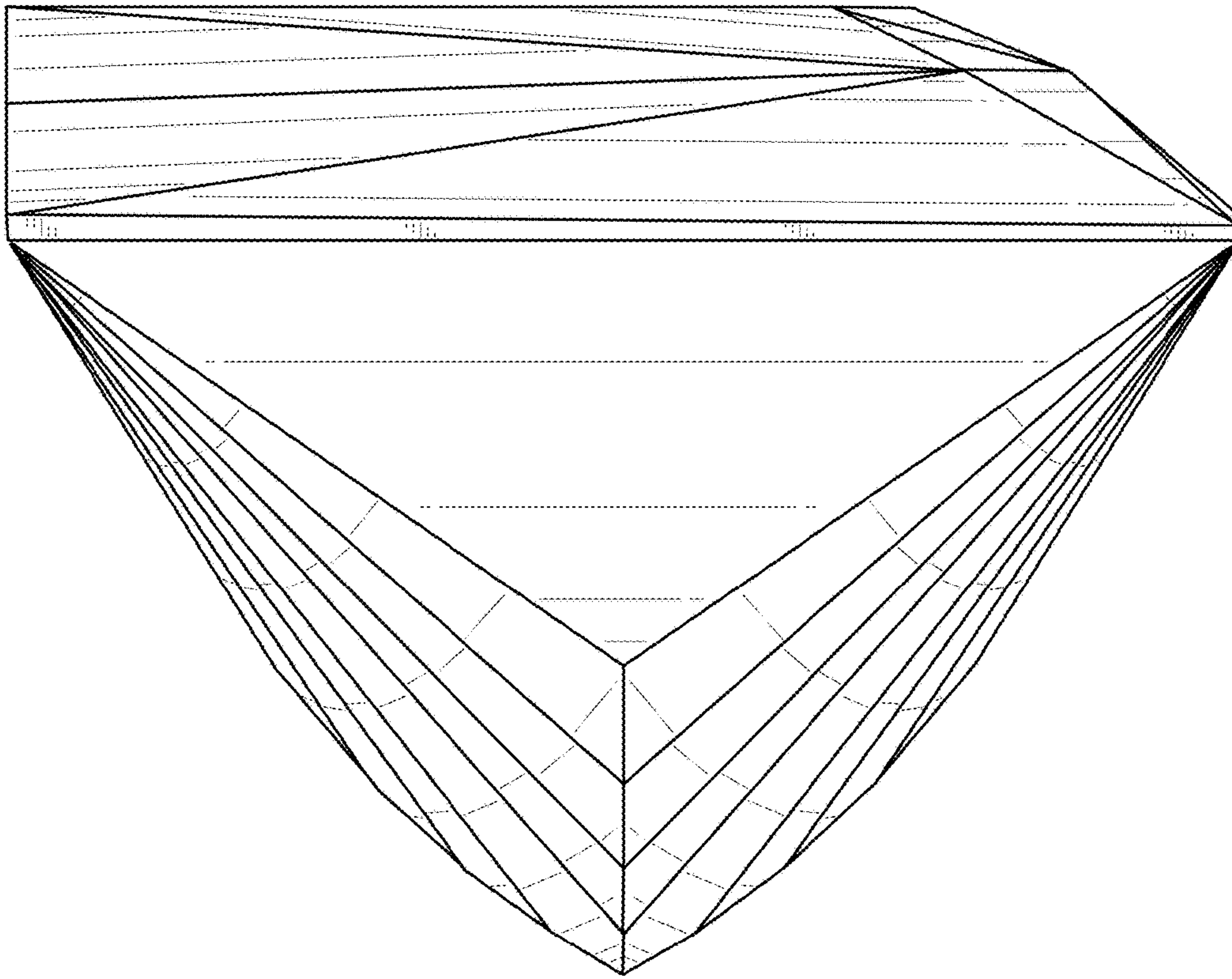
**FIG. 2**



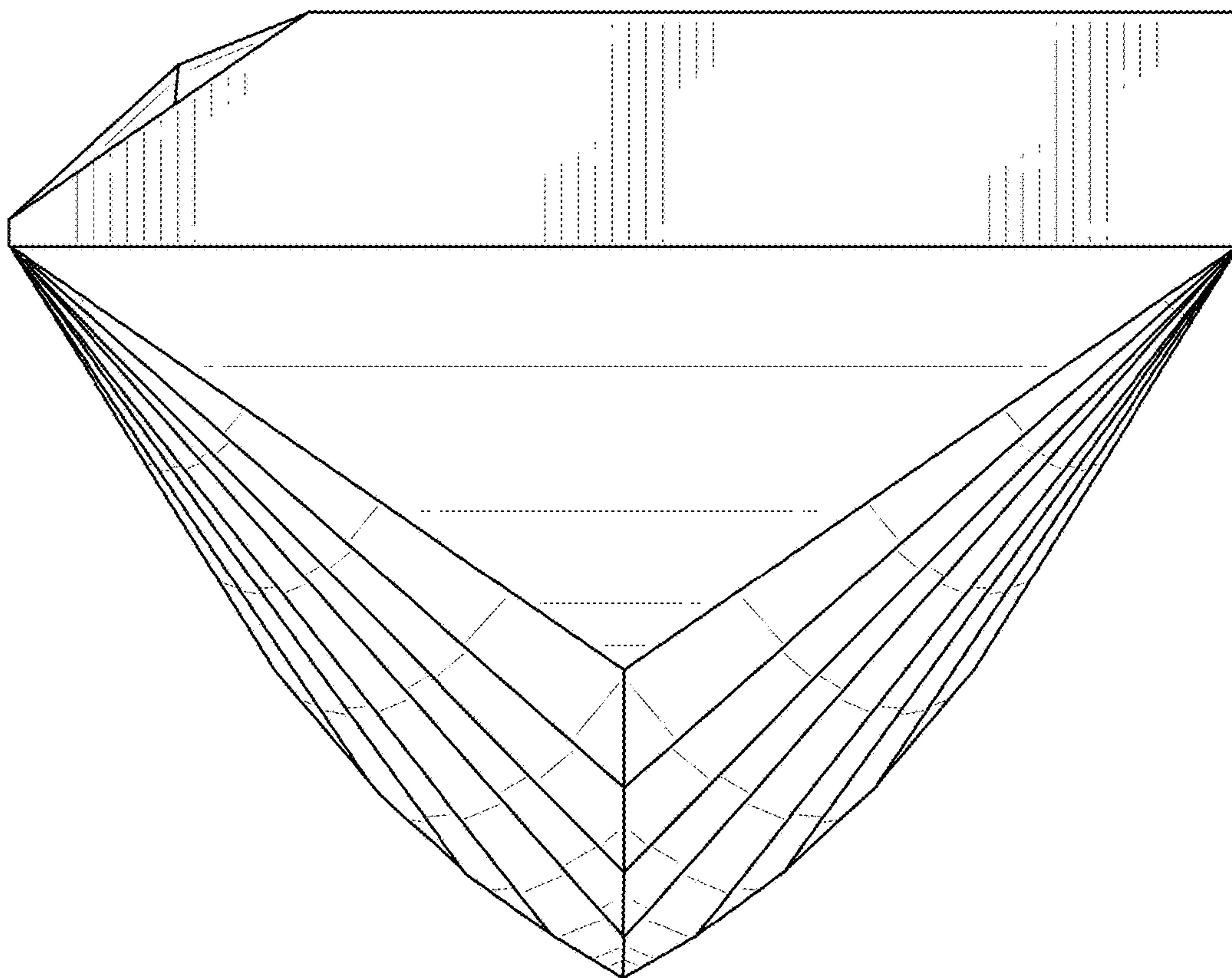
**FIG. 3**



**FIG. 4**

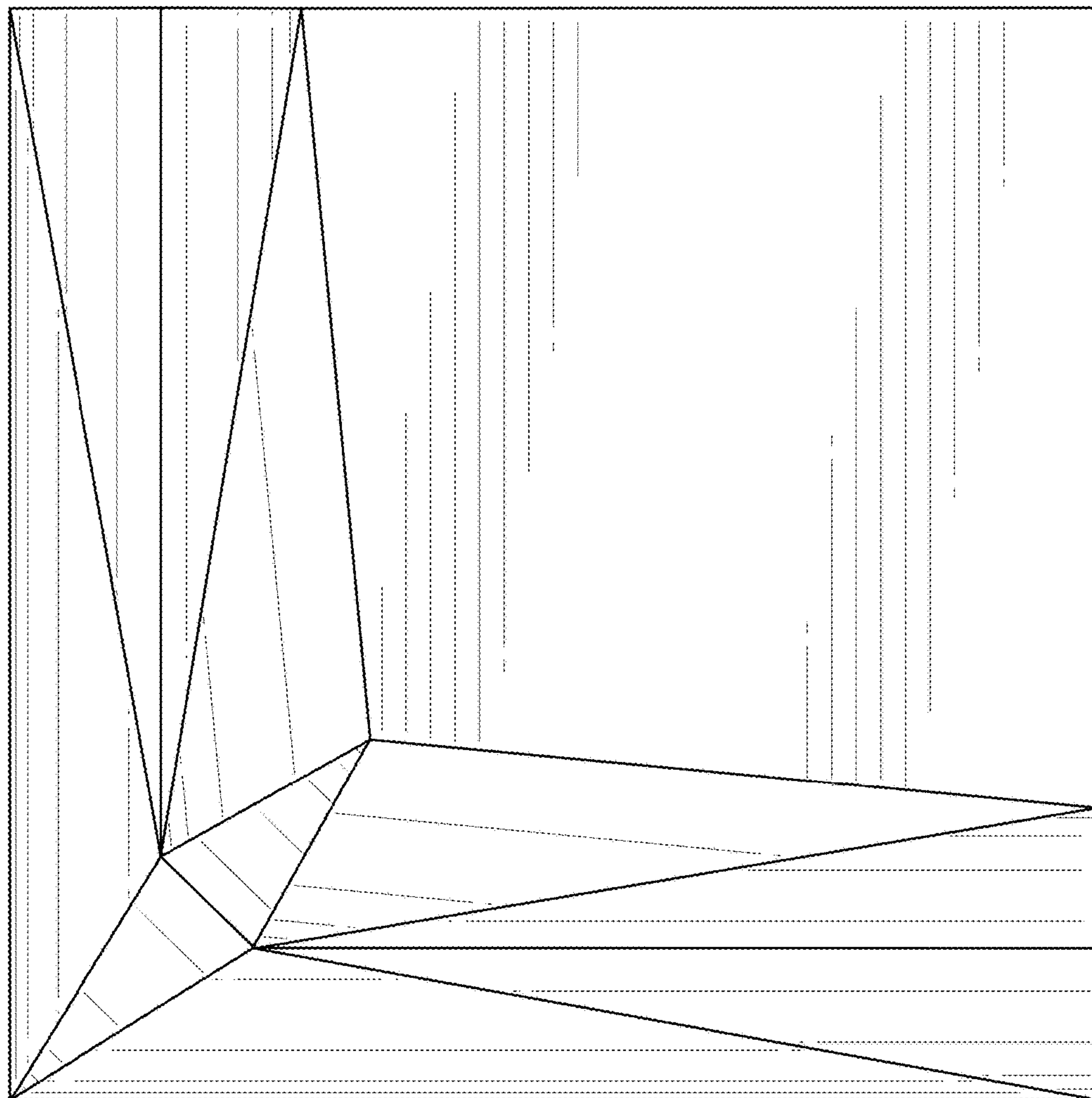


**FIG. 5**

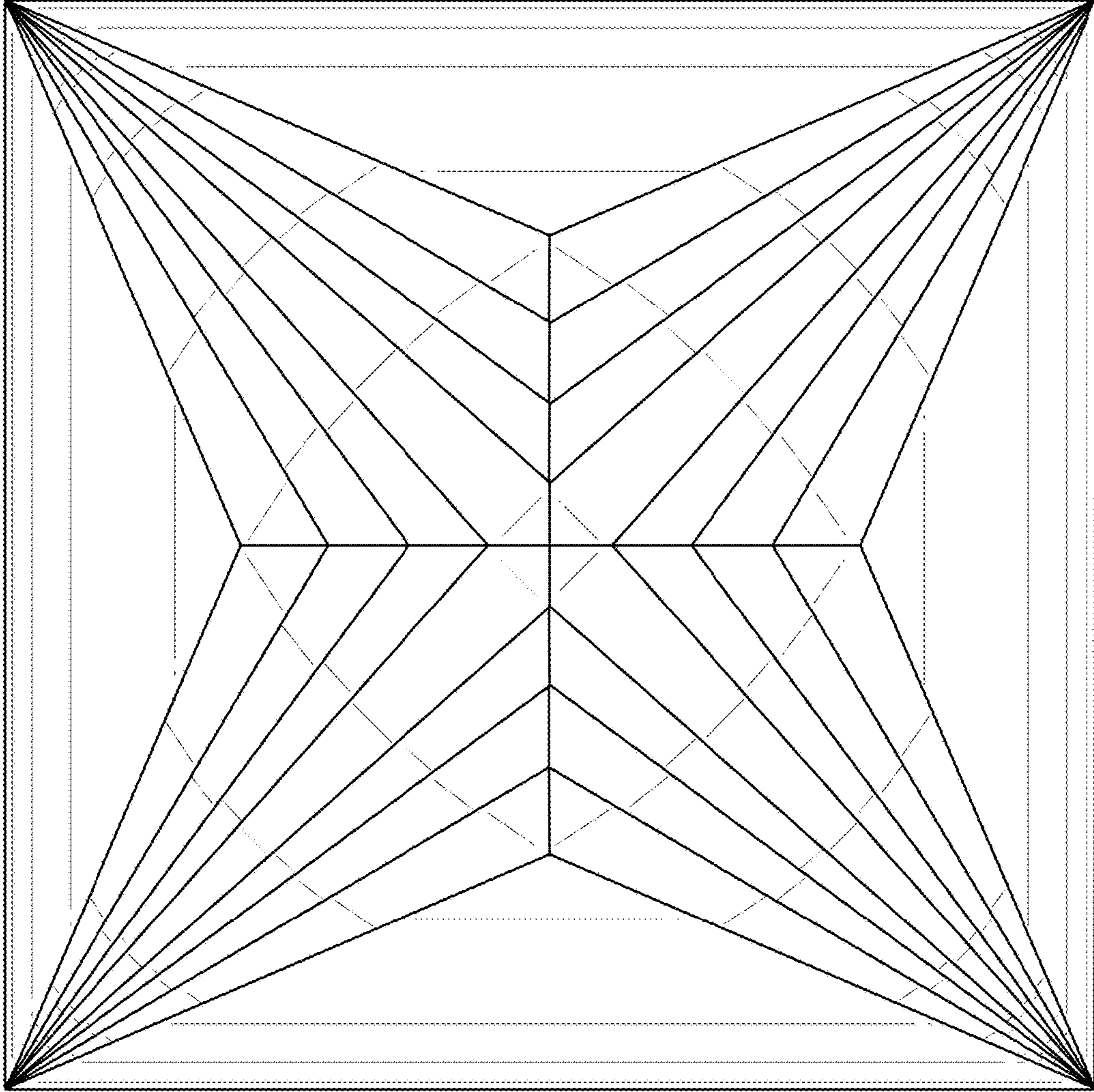


**FIG. 6**

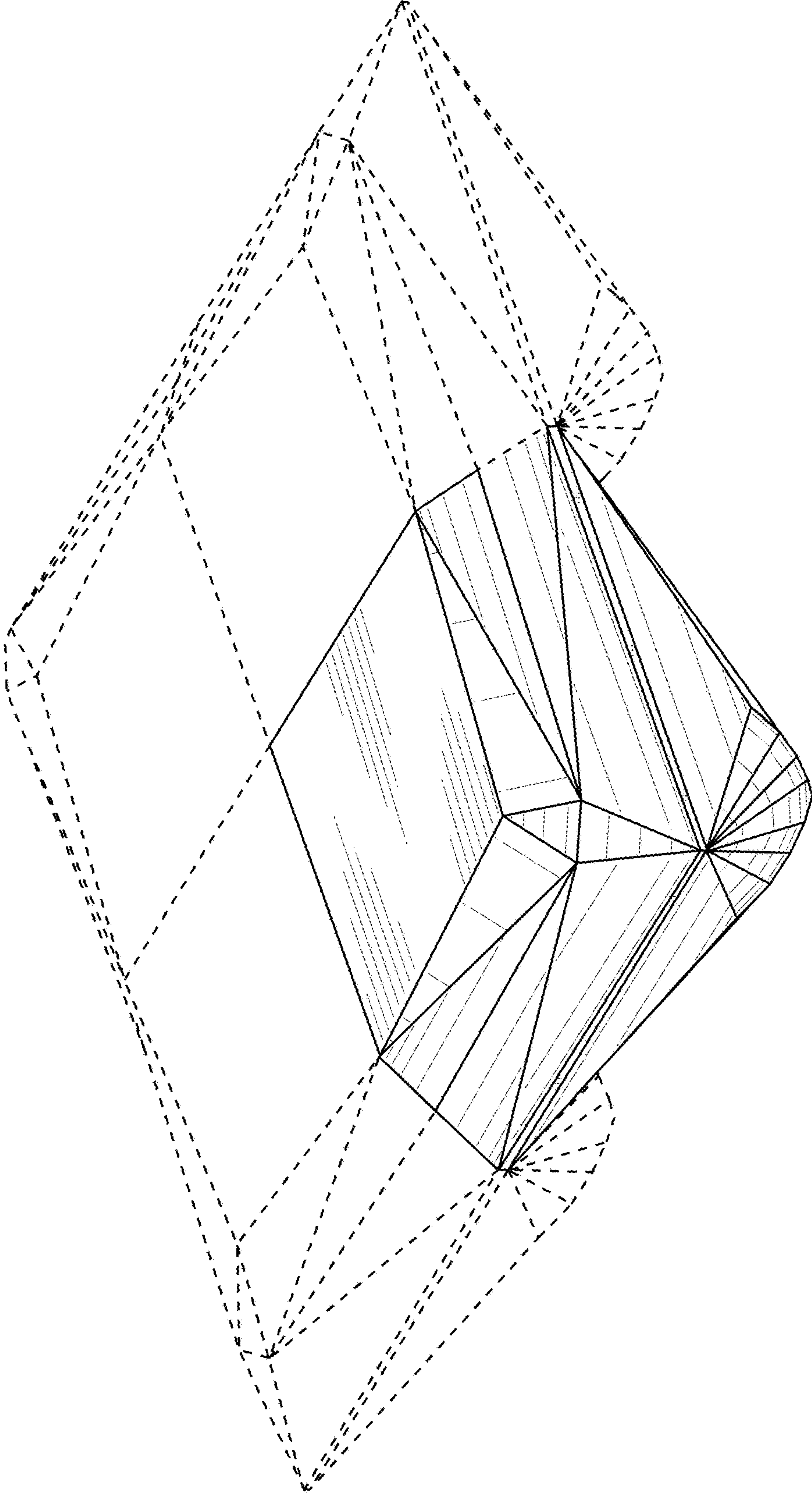




**FIG. 7**

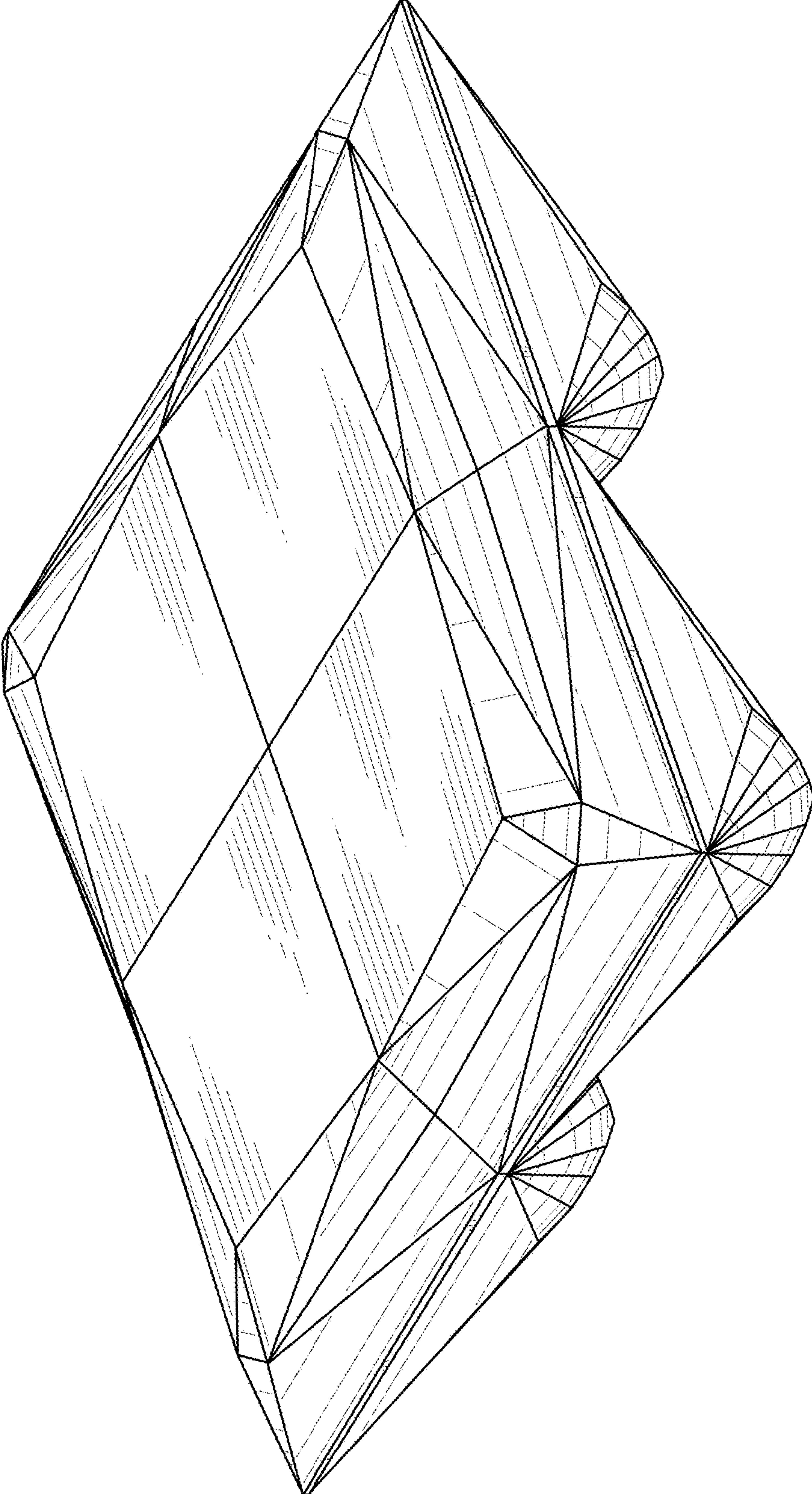


**FIG. 8**



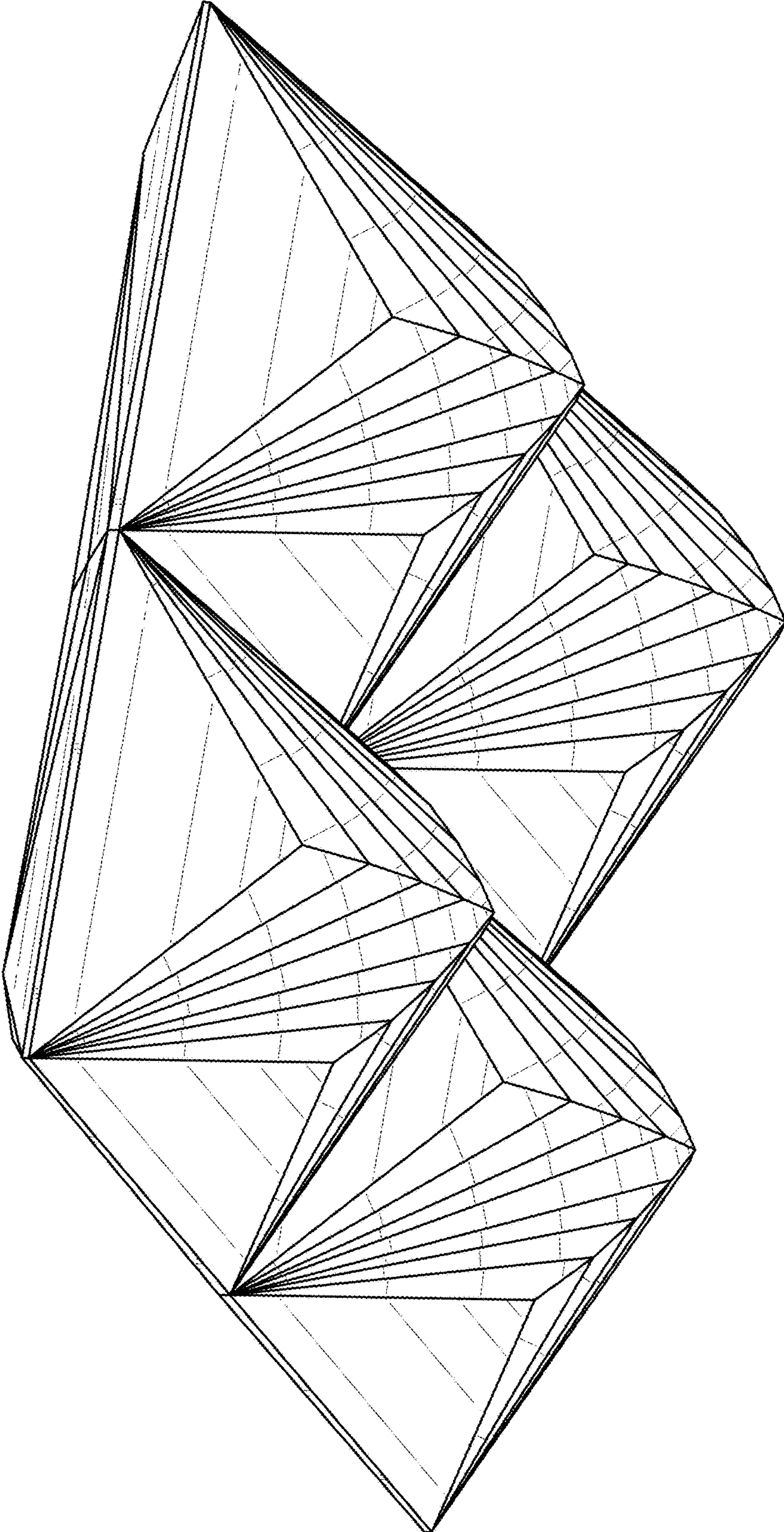
**FIG. 9**



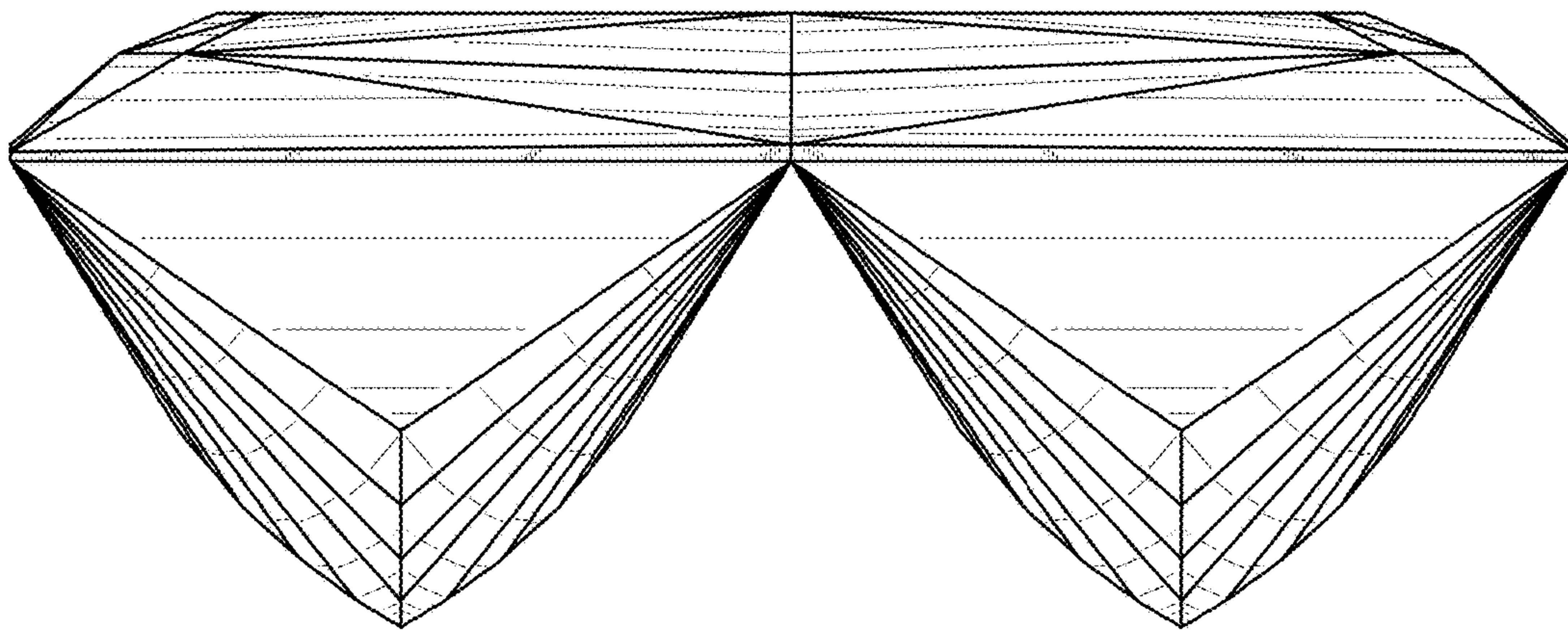


**FIG. 10**

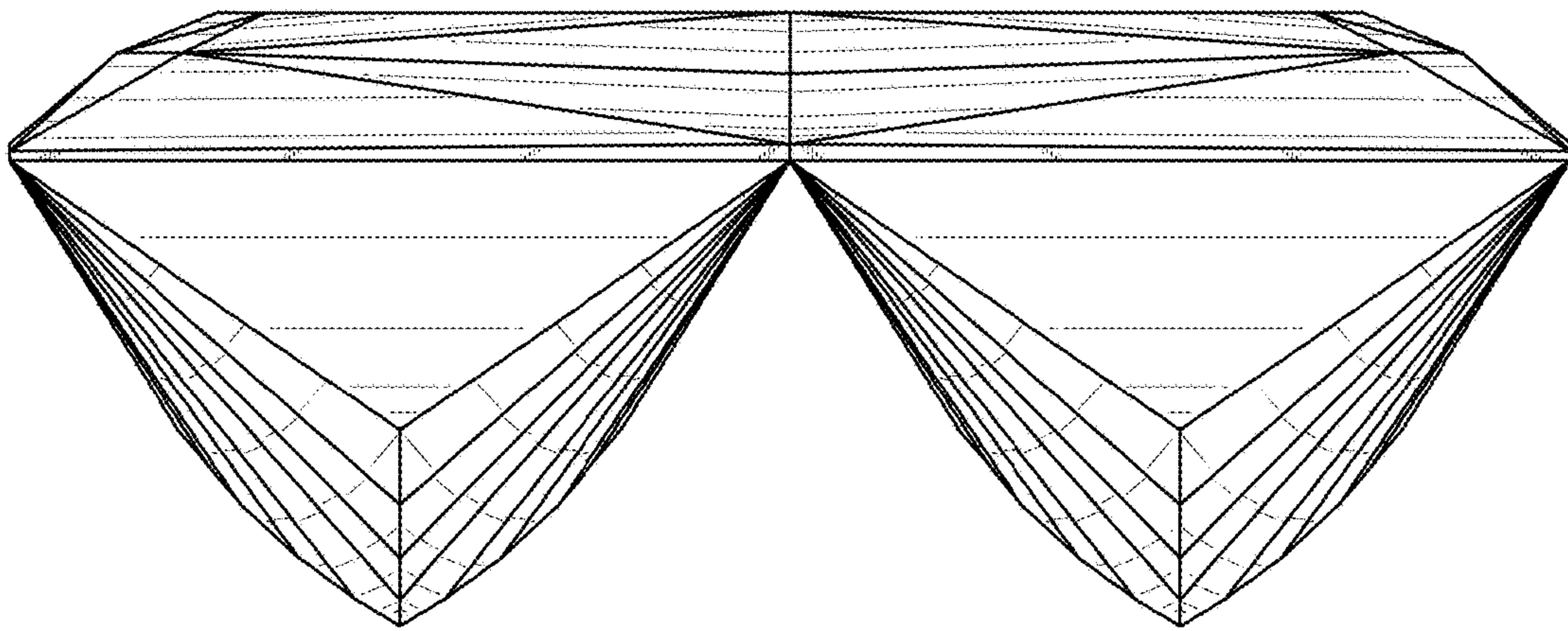




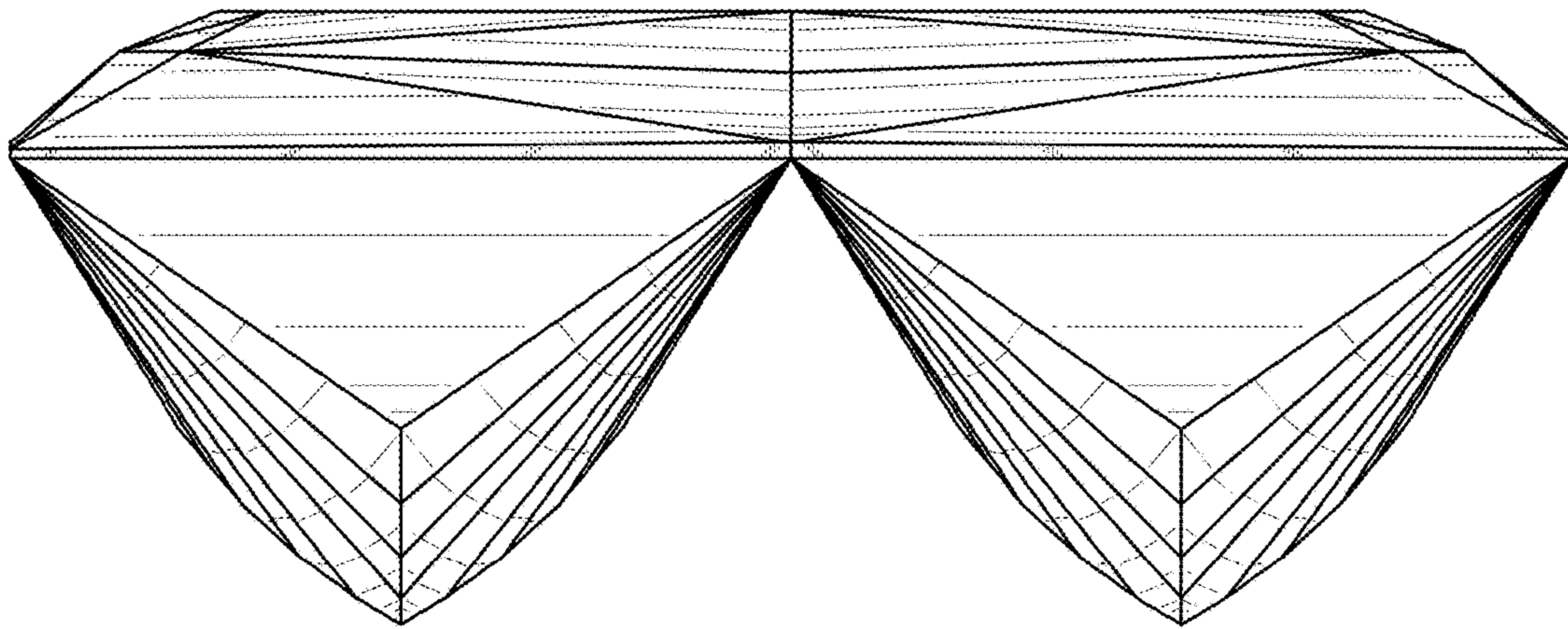
**FIG. 11**



**FIG. 12**

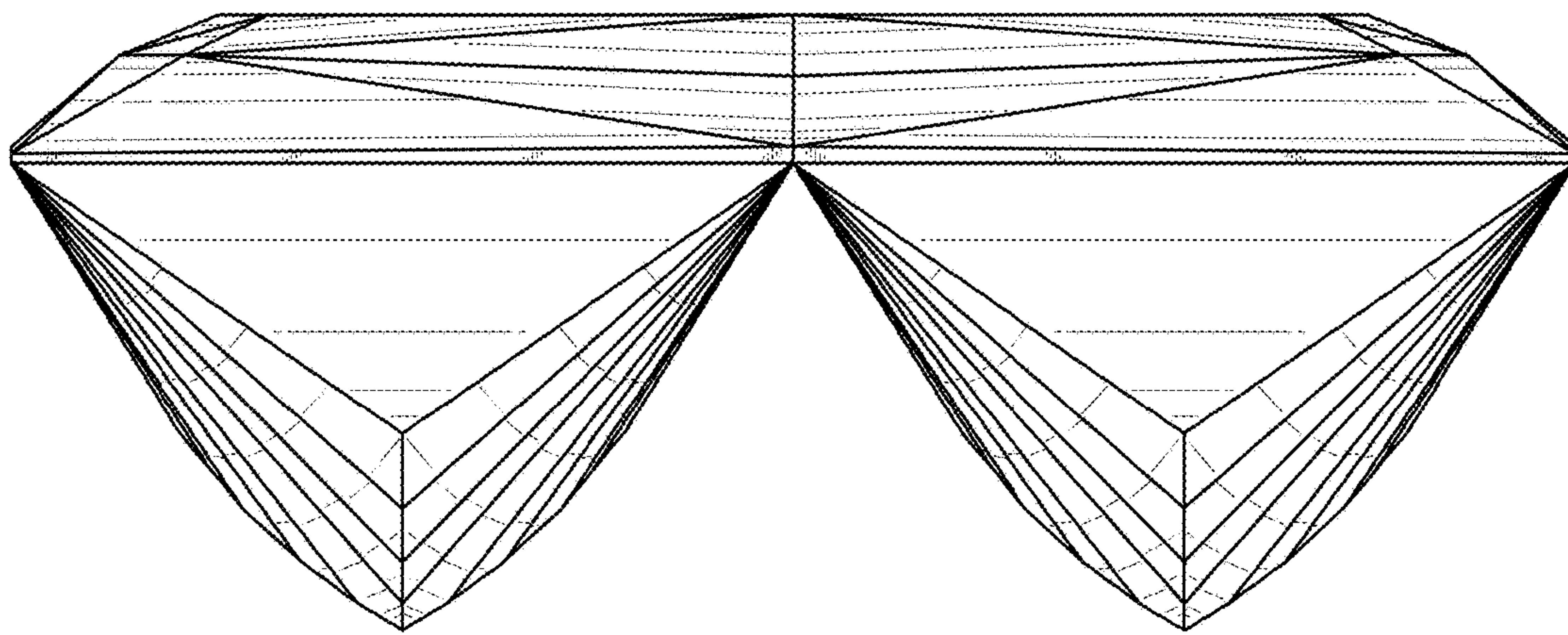


**FIG. 13**

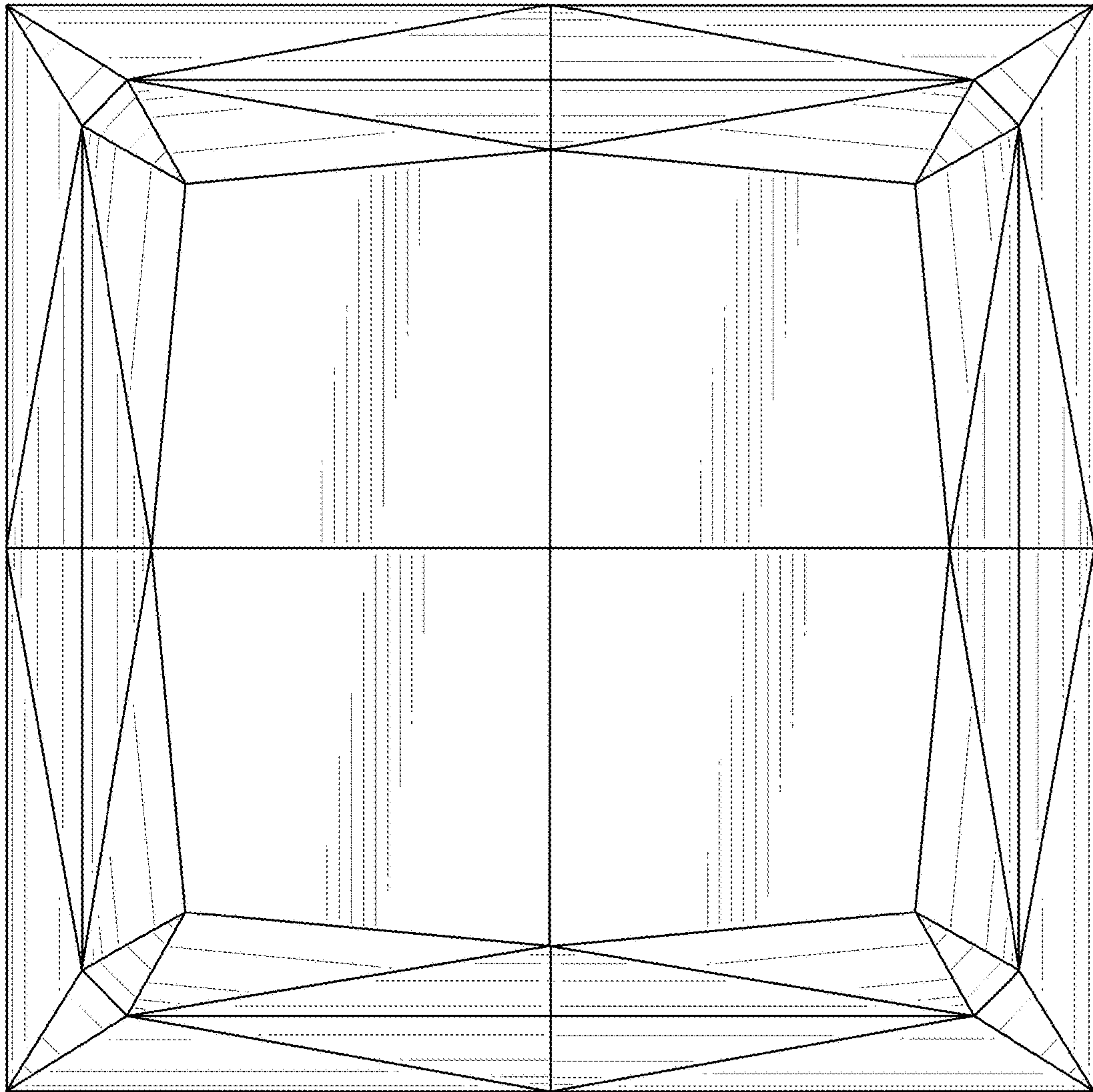


**FIG. 14**

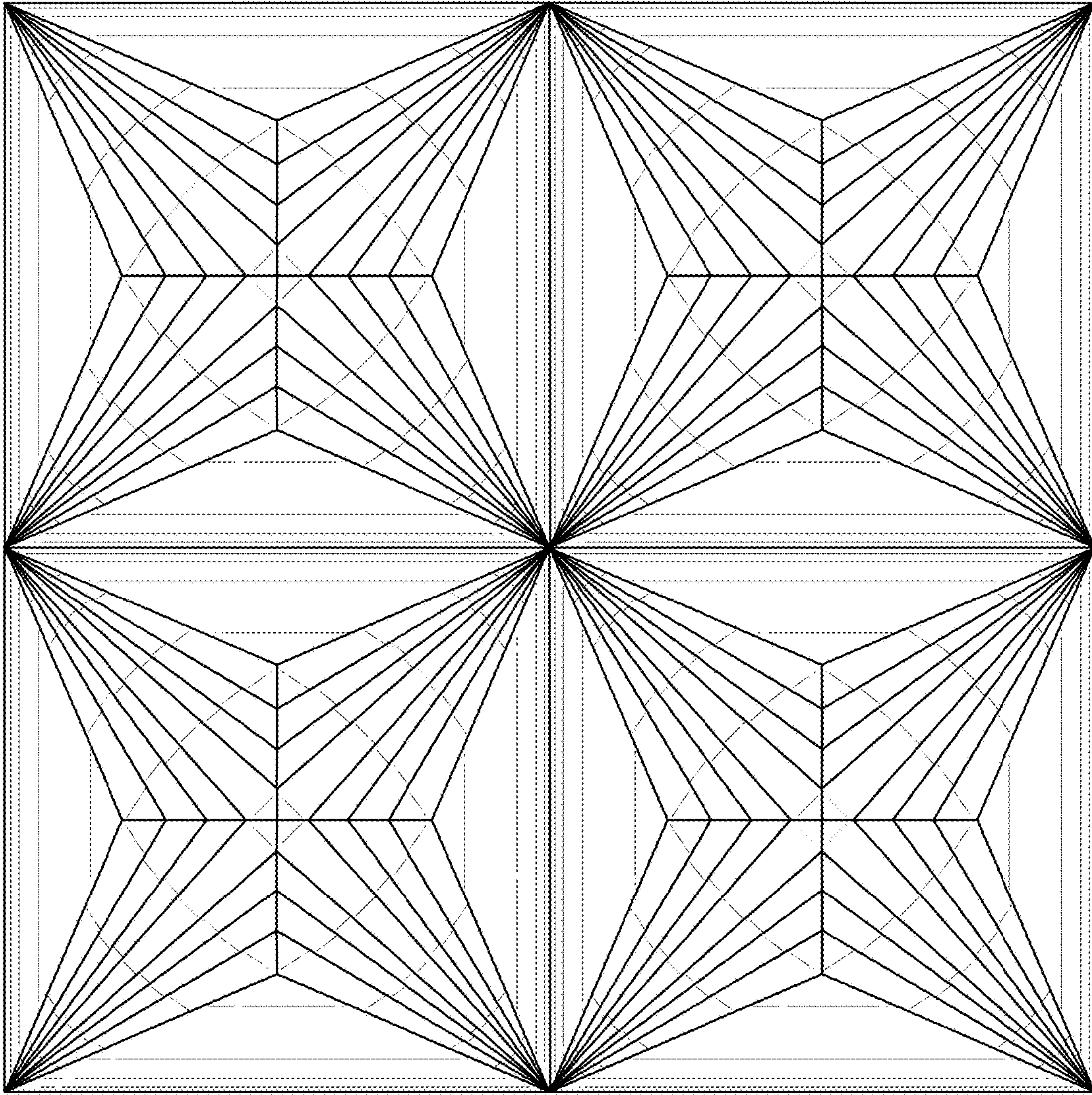




**FIG. 15**



**FIG. 16**



**FIG. 17**