



US00D785492S

(12) **United States Design Patent** (10) **Patent No.:** **US D785,492 S**  
**Yatsugi-Kang** (45) **Date of Patent:** **\*\* May 2, 2017**

(54) **CHARM**  
(71) Applicant: **HARRY WINSTON SA,**  
Plan-les-Ouates (CH)  
(72) Inventor: **Rie Yatsugi-Kang,** Cresskill, NJ (US)  
(73) Assignee: **HARRY WINSTON SA,**  
Plan-les-Ouates (CH)  
(\*\*) Term: **15 Years**

D150,586 S \* 8/1948 Katz ..... D11/43  
D171,701 S \* 3/1954 Katz ..... D11/43  
D283,990 S \* 5/1986 Davidson ..... D11/97  
D326,429 S \* 5/1992 Azrielant ..... D11/43  
D351,486 S \* 10/1994 Carranza ..... D28/64.6  
D379,117 S \* 5/1997 Ortiz ..... D3/20  
D567,134 S \* 4/2008 Bulgari ..... D11/45  
D640,585 S \* 6/2011 Nolan ..... D11/43  
D688,151 S \* 8/2013 LeBail ..... D11/43  
D719,050 S \* 12/2014 Yatsugi-Kang ..... D11/79  
D747,998 S \* 1/2016 Yatsugi-Kang ..... D11/7  
D749,451 S \* 2/2016 Yatsugi-Kang ..... D11/7

(21) Appl. No.: **29/563,087**

**OTHER PUBLICATIONS**

(22) Filed: **May 2, 2016**

[Online] [https://img0.etsystatic.com/161/1/6722741/il\\_340x270.1087870440\\_a2v1.jpg](https://img0.etsystatic.com/161/1/6722741/il_340x270.1087870440_a2v1.jpg). Retrieved Feb. 3, 2017.\*

(30) **Foreign Application Priority Data**

[Online] [http://zenziiwholesale.com/media/catalog/product/cache/1/image/1200x/040ec09b1e35df139433887a97daa66f/n/1/n1178\\_tan2.jpg](http://zenziiwholesale.com/media/catalog/product/cache/1/image/1200x/040ec09b1e35df139433887a97daa66f/n/1/n1178_tan2.jpg). Retrieved Feb. 3, 2017.\*

Nov. 2, 2015 (WO) ..... DM088090

(51) **LOC (10) Cl.** ..... **11-01**

\* cited by examiner

(52) **U.S. Cl.**  
USPC ..... **D11/79**

*Primary Examiner* — Melanie Pellegrini

(58) **Field of Classification Search**

(74) *Attorney, Agent, or Firm* — Donald J. Ranft; Collen IP

USPC ..... D11/1, 2, 40-44, 47, 48, 79-86, 70, 49,  
D11/50, 53, 57, 66, 67, 75, 76, 77, 95,  
D11/97, 98, 99, 100, 101, 105, 106, 121,  
D11/125, 127, 128, 91, 92, 7, 8  
CPC .. A44C 1/00; A44C 3/00; A44C 3/001; A44C  
3/002; A44C 3/004; A44C 3/005; A44C  
3/007; A44C 3/008; A44C 7/00; A44C  
7/001; A44C 7/002; A44C 7/003; A44C  
7/004; A44C 21/00; A44C 23/00; A44C  
25/00; A44C 25/001; A44C 25/002; A44C  
25/004; A44C 25/005; A44C 25/007;  
A44C 25/008; A44C 17/02; A44C  
17/0208

See application file for complete search history.

(57) **CLAIM**

The ornamental design for a charm, as shown.

(56) **References Cited**

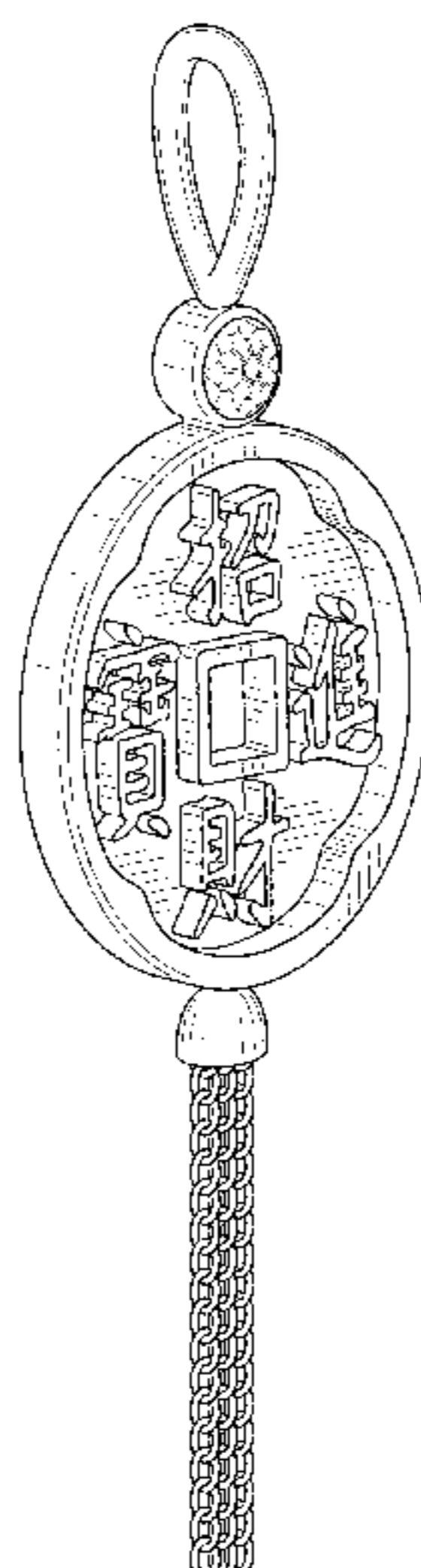
**DESCRIPTION**

FIG. 1 is a front left perspective view of a charm showing my new design;  
FIG. 2 is a rear left perspective view thereof;  
FIG. 3 is a front view thereof;  
FIG. 4 is a rear view thereof;  
FIG. 5 is a left side view thereof;  
FIG. 6 is a right side view thereof;  
FIG. 7 is a top view thereof; and,  
FIG. 8 is a bottom view thereof.

**U.S. PATENT DOCUMENTS**

D32,246 S \* 2/1900 Bigney ..... 24/4  
D59,469 S \* 10/1921 Gagnon ..... D6/581

**1 Claim, 6 Drawing Sheets**



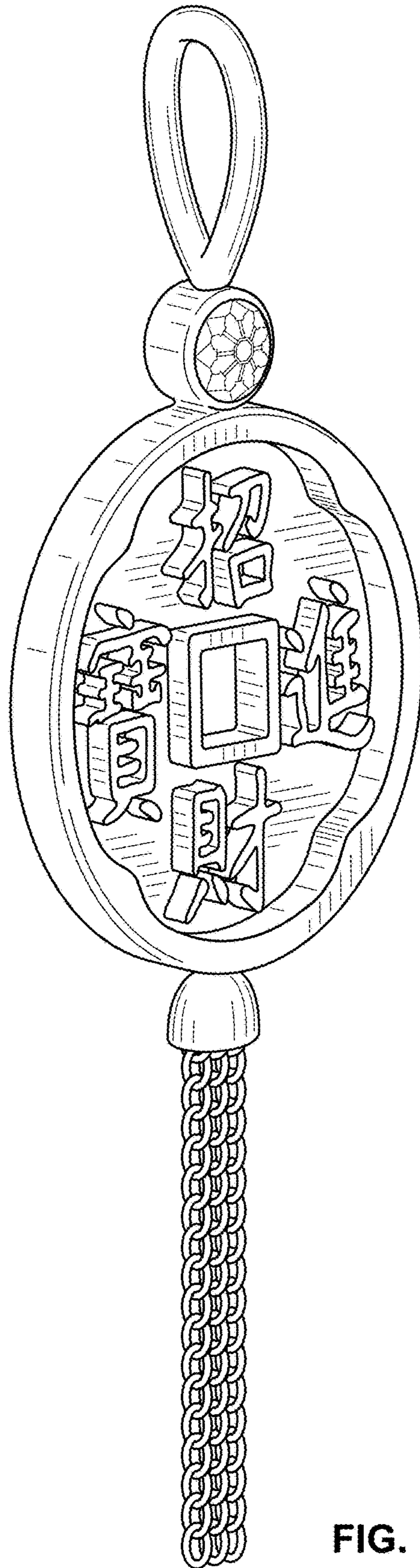


FIG. 1

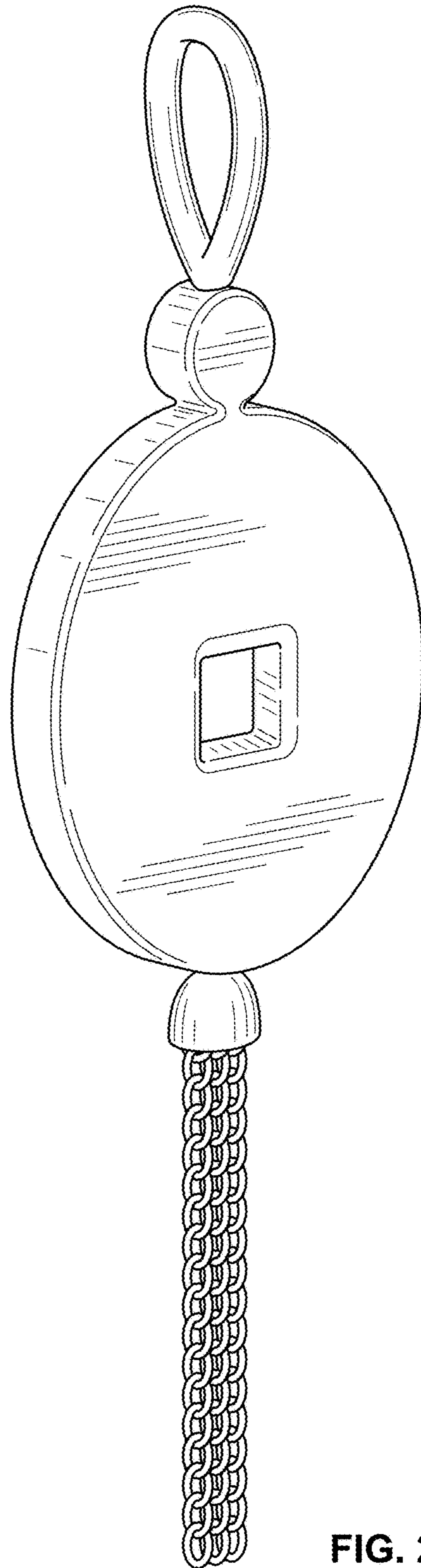


FIG. 2

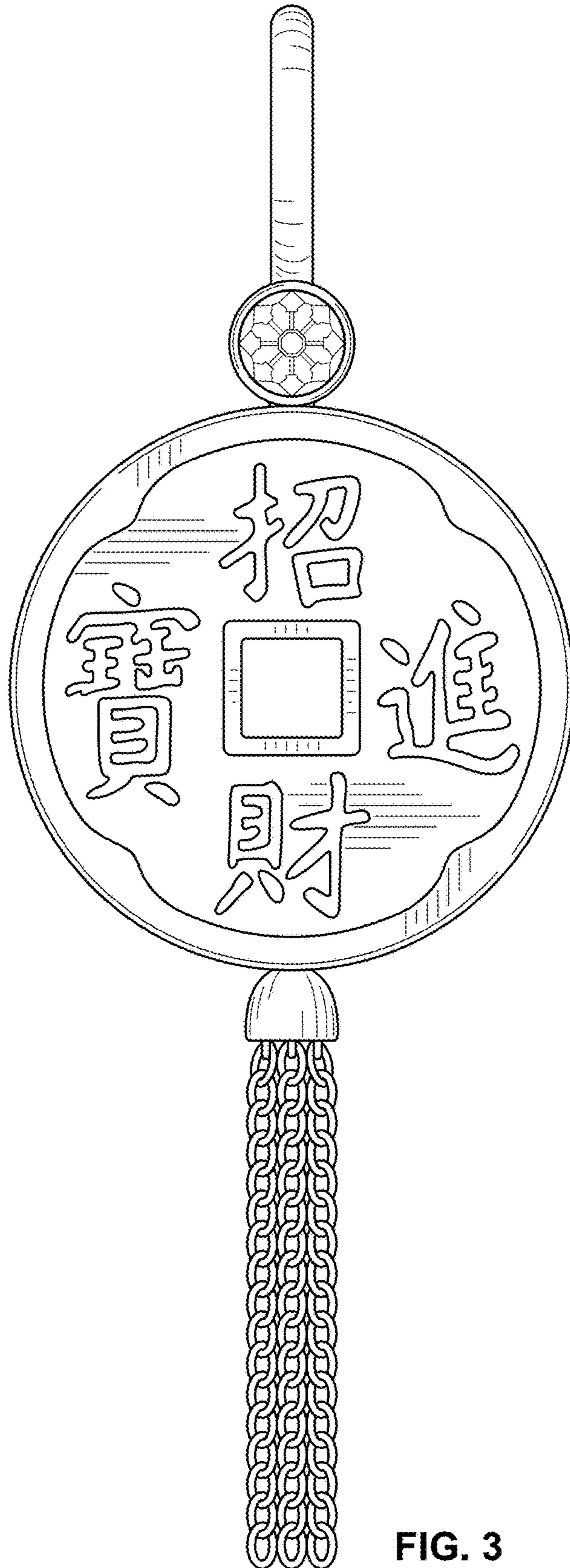


FIG. 3

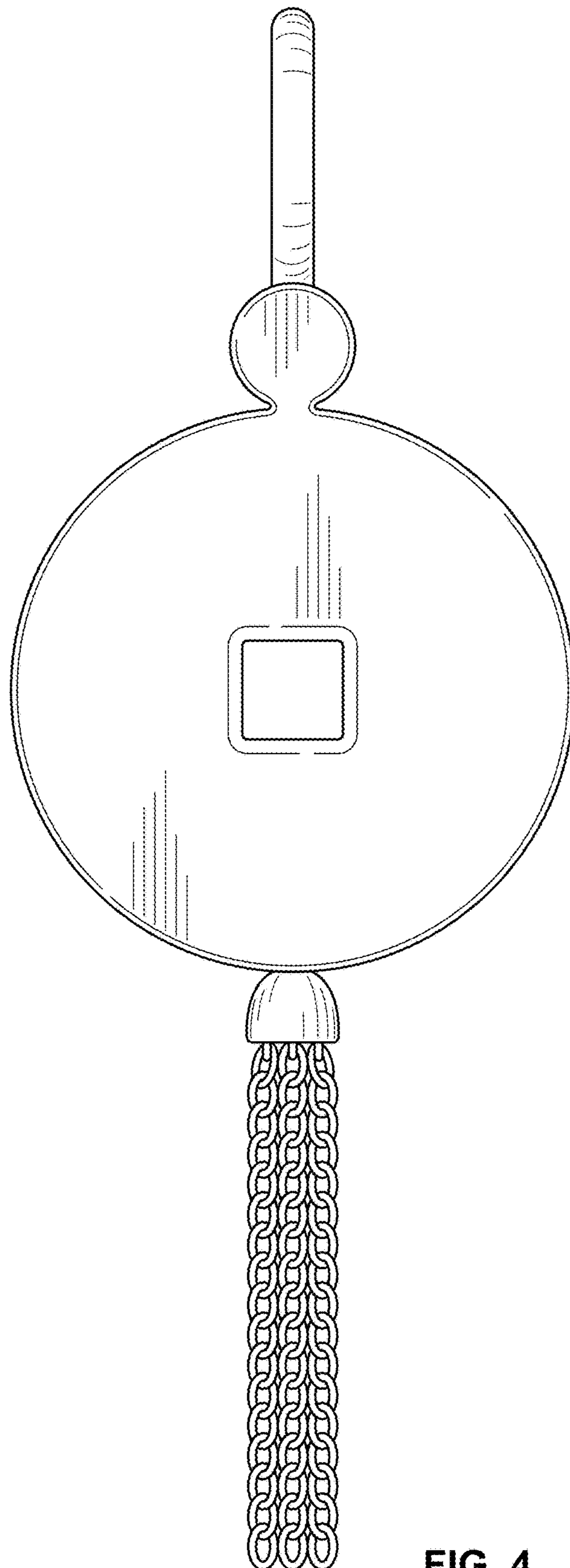


FIG. 4

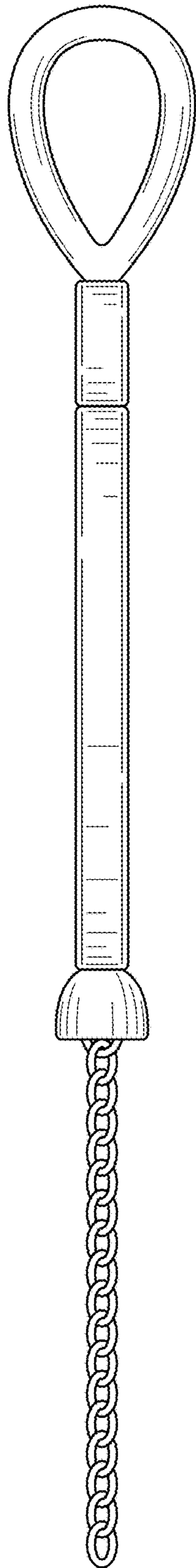


FIG. 5

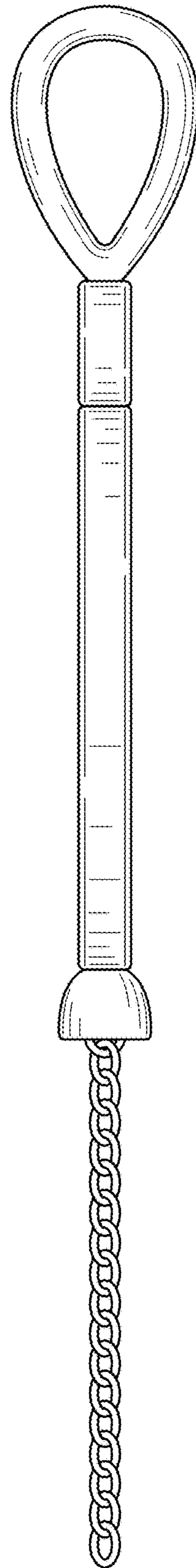


FIG. 6

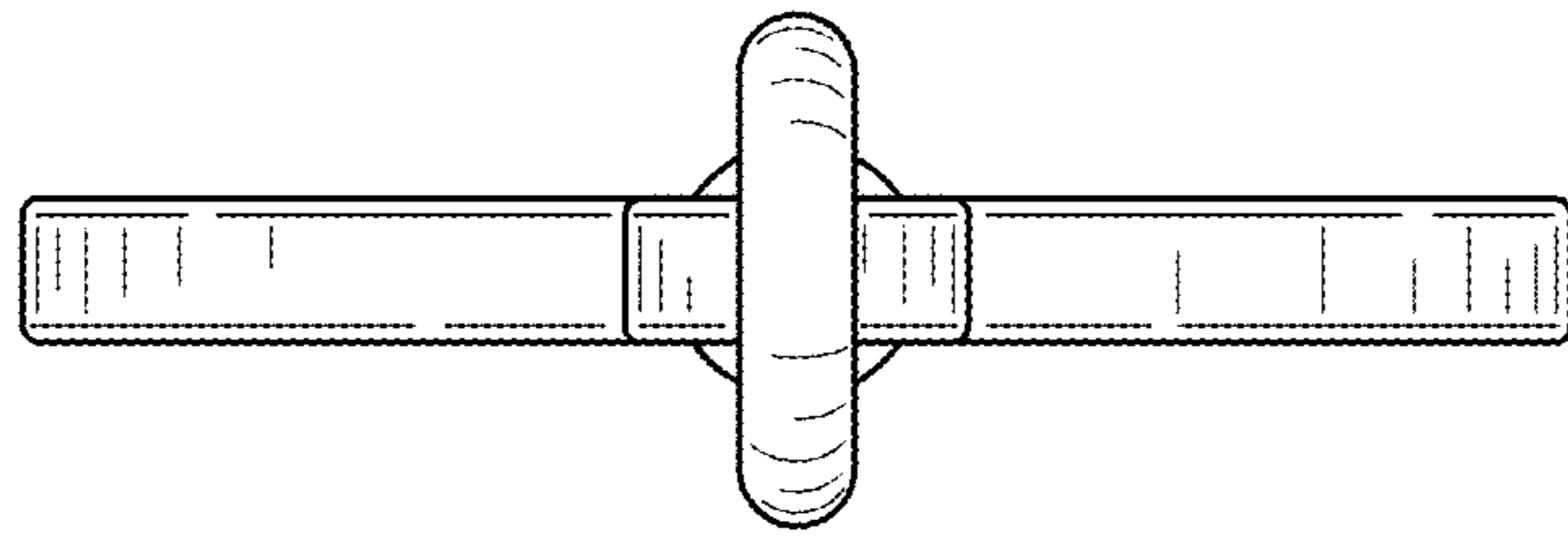


FIG. 7

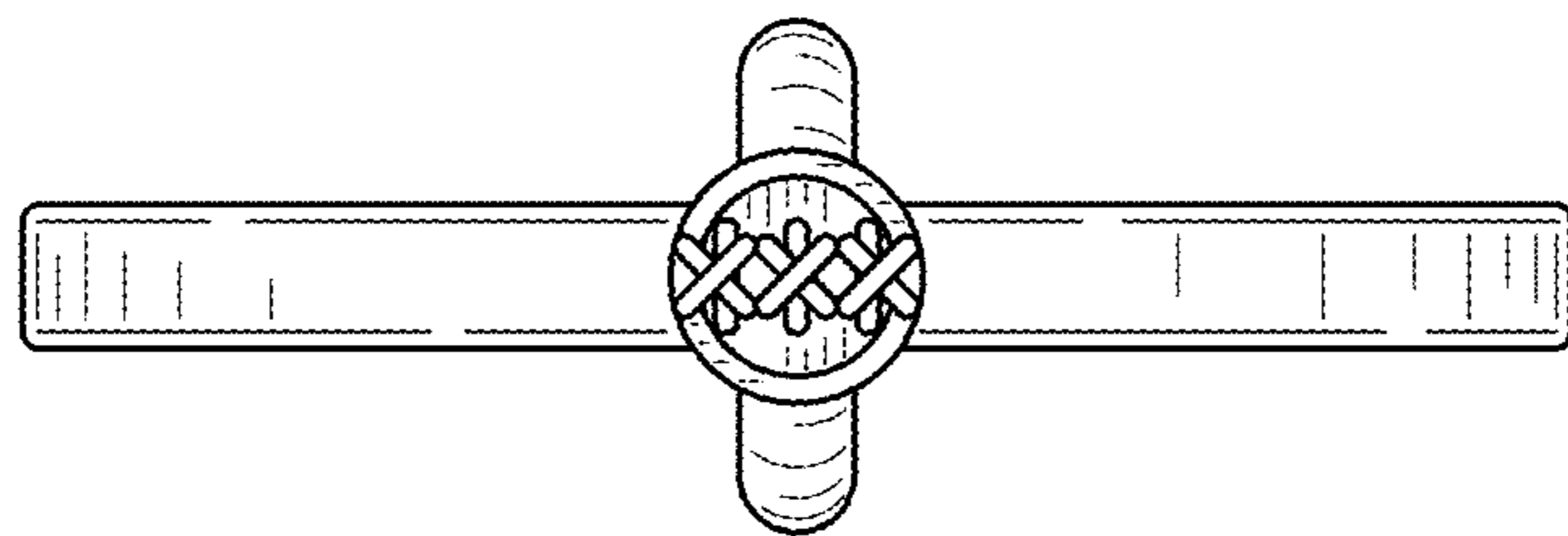


FIG. 8