



US00D785491S

(12) **United States Design Patent** (10) **Patent No.:** **US D785,491 S**
Yatsugi-Kang (45) **Date of Patent:** **** May 2, 2017**

(54) **EARRING**

(71) Applicant: **HARRY WINSTON SA,**
Plan-les-Ouates (CH)

(72) Inventor: **Rie Yatsugi-Kang,** Cresskill, NJ (US)

(73) Assignee: **HARRY WINSTON SA,**
Plan-les-Ouates (CH)

(**) Term: **15 Years**

(21) Appl. No.: **29/552,619**

(22) Filed: **Jan. 25, 2016**

(30) **Foreign Application Priority Data**

Jul. 24, 2015 (WO) DM/087044

(51) **LOC (10) Cl.** **11-01**

(52) **U.S. Cl.**
USPC **D11/43**

(58) **Field of Classification Search**
 USPC D11/1, 2, 40-48, 79, 80, 81, 87, 88, 91,
D11/92

CPC A44C 7/00; A44C 7/002; A44C 7/003;
 A44C 7/004; A44C 7/005; A44C 7/006;
 A44C 7/007; A44C 7/008; A44C 7/009;
 A44C 17/02; A44C 17/0208; A44C
 17/0216; A44C 17/0255; A44C 17/0233;
 A44C 17/0241; A44C 17/025; A44C
 17/0258; A44C 17/0266; A44C 25/00;
 A44C 25/001; A44C 25/007

See application file for complete search history.

(56) **References Cited**

U.S. PATENT DOCUMENTS

D154,592 S *	7/1949	Duvalet	D11/43
D164,719 S *	10/1951	Philippe	D11/43
D170,818 S *	11/1953	Katz	D11/43
D170,822 S *	11/1953	Katz	D11/43
D171,335 S *	1/1954	Katz	D11/43
D171,342 S *	1/1954	Katz	D11/43
D386,440 S *	11/1997	Napper	D11/40
D485,779 S *	1/2004	Steckbeck	D11/7
D752,472 S *	3/2016	Riviere	D11/43
D758,911 S *	6/2016	Kwon	D11/43

* cited by examiner

Primary Examiner — Melanie Pellegrini

(74) *Attorney, Agent, or Firm* — Donald J. Ranft; Collen IP

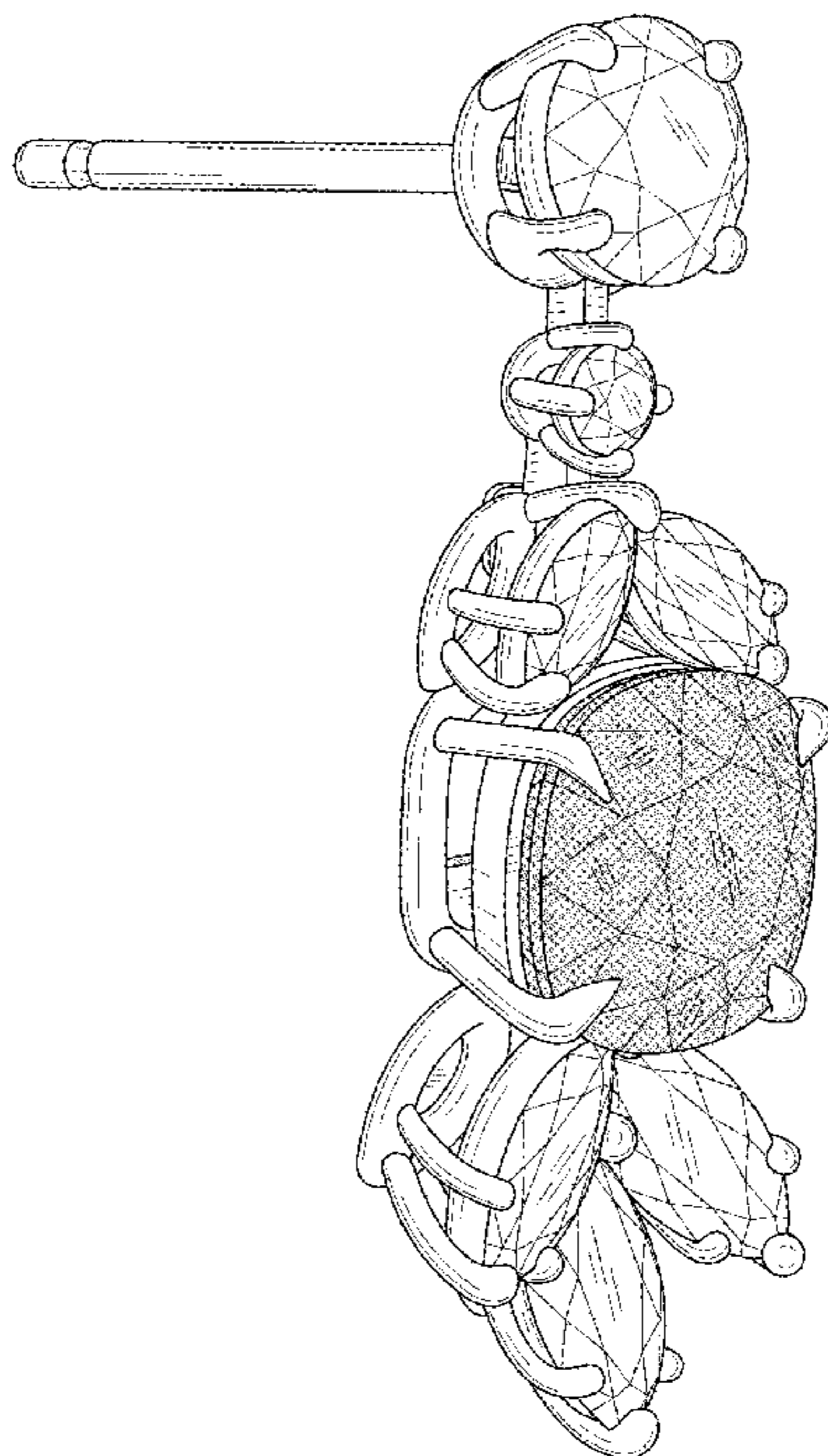
(57) **CLAIM**

The ornamental design for earring, as shown and described.

DESCRIPTION

FIG. 1 is a front perspective view of an earring showing my new design;
 FIG. 2 is a front view thereof;
 FIG. 3 is a rear view thereof;
 FIG. 4 is a left side view thereof;
 FIG. 5 is a right side view thereof;
 FIG. 6 is a top view thereof;
 FIG. 7 is a bottom view thereof; and,
 FIG. 8 is a rear perspective view thereof.
 The large gemstone shaded in grey has an appearance which contrasts with the gemstones that do not have grey shading.

1 Claim, 7 Drawing Sheets



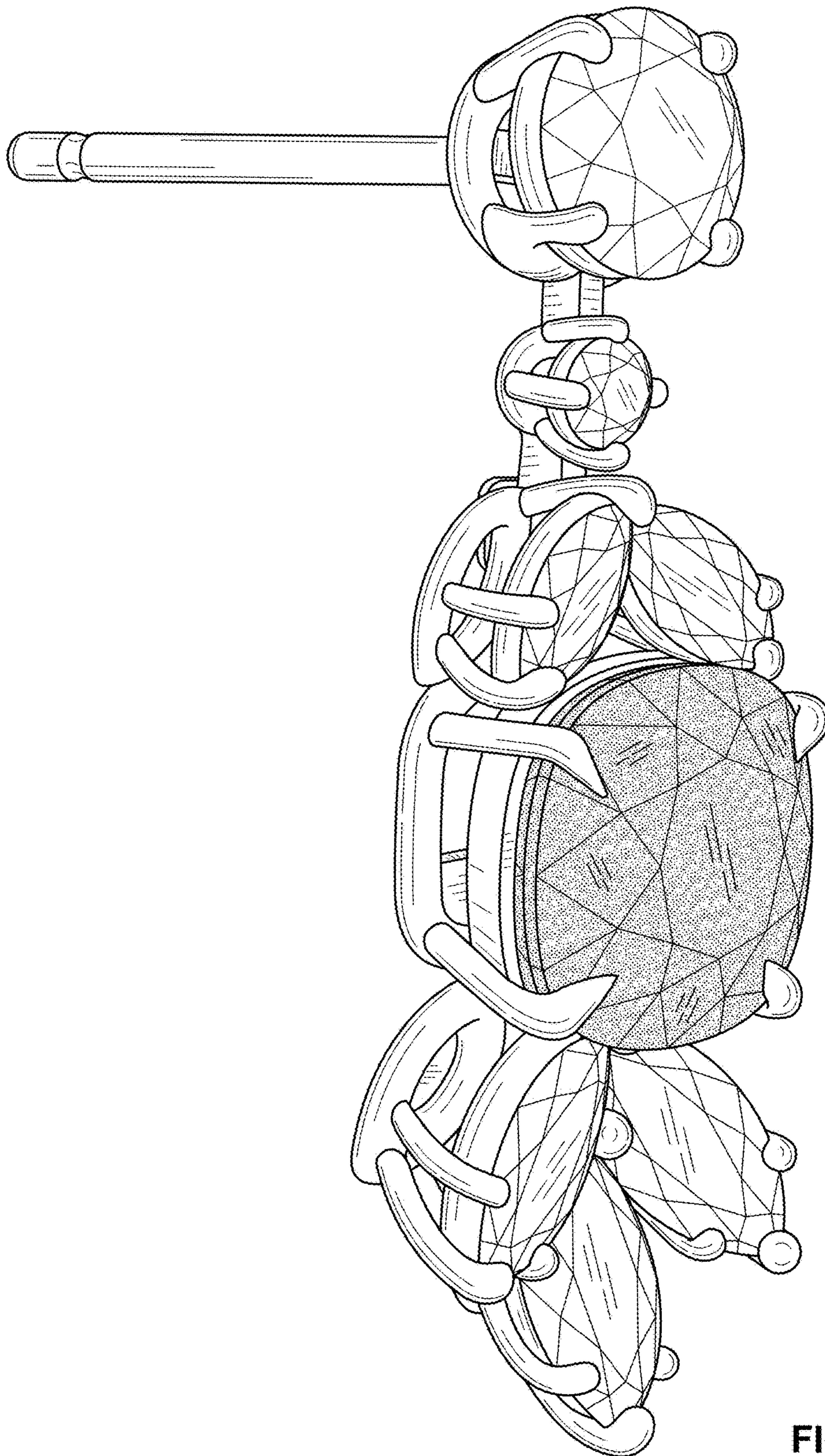


FIG. 1

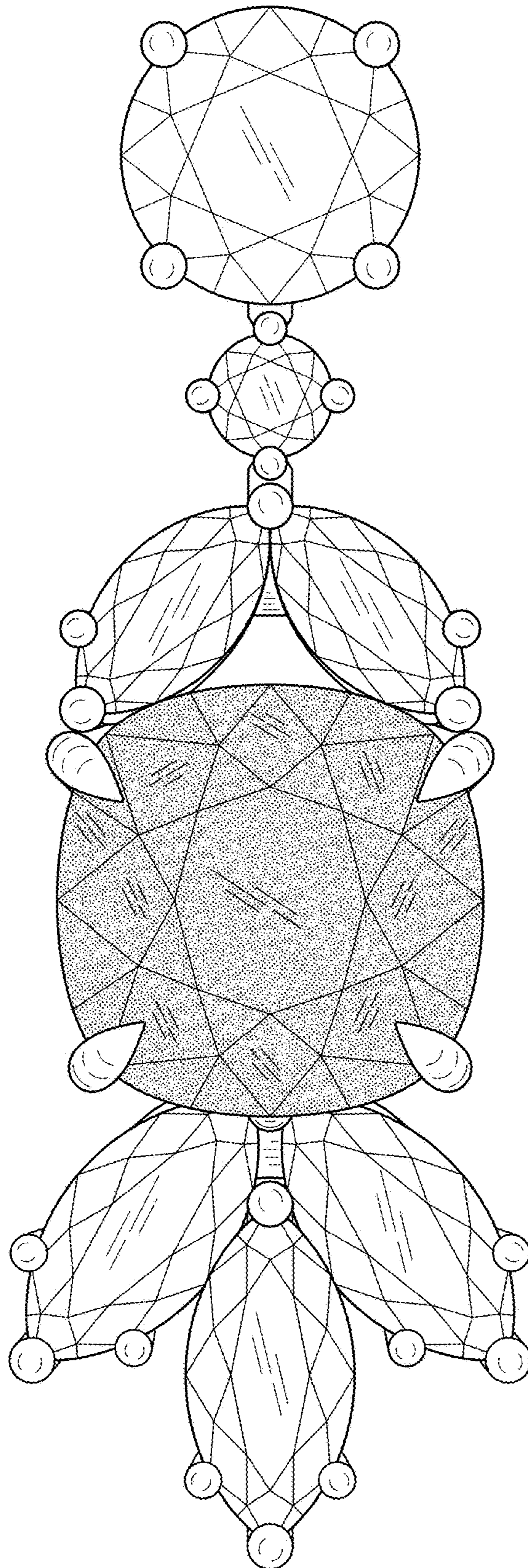


FIG. 2

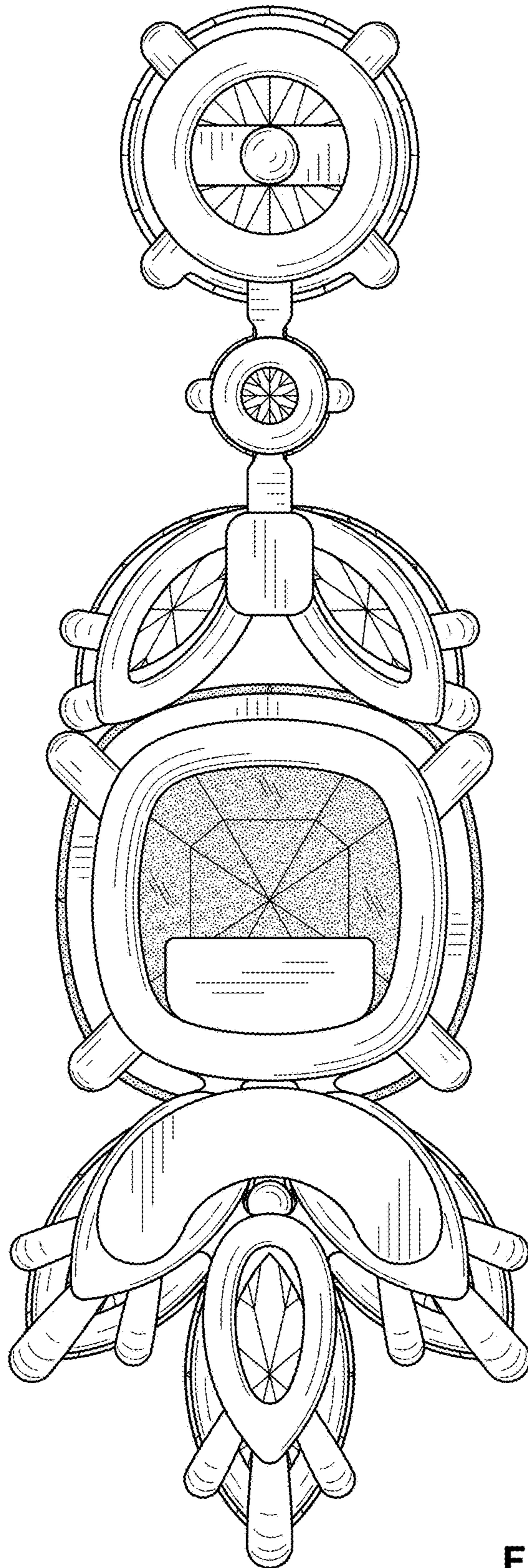


FIG. 3

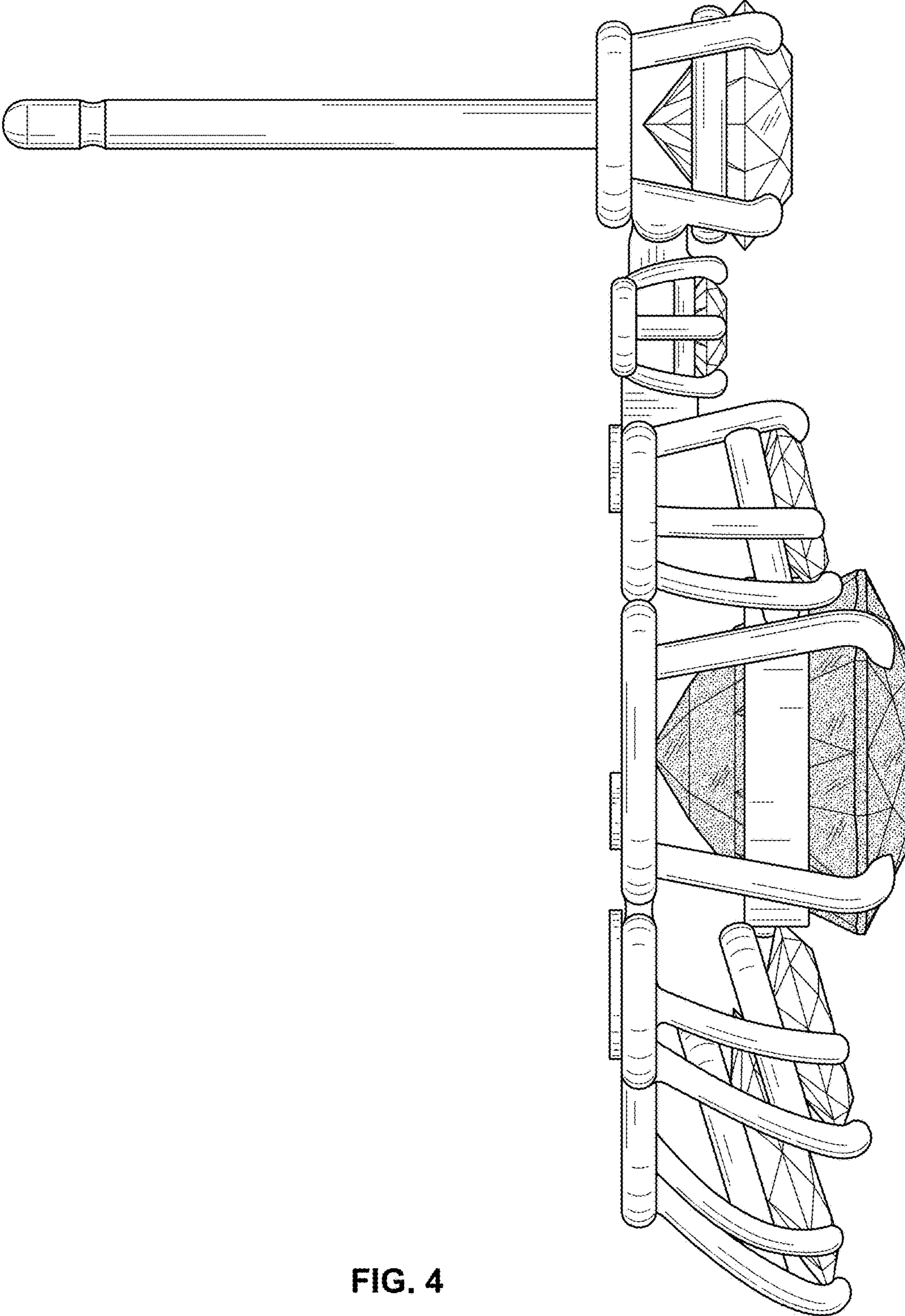


FIG. 4

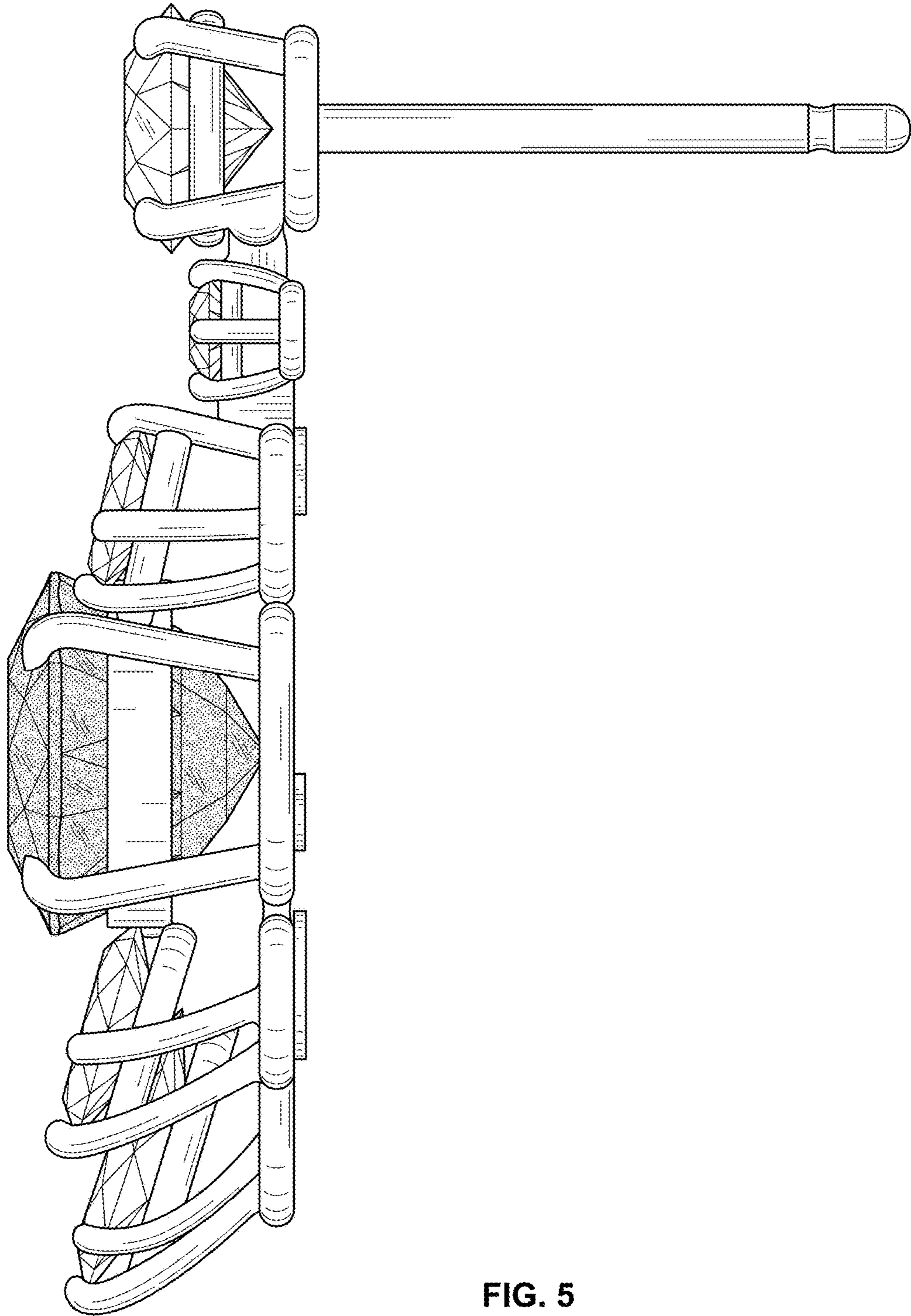


FIG. 5

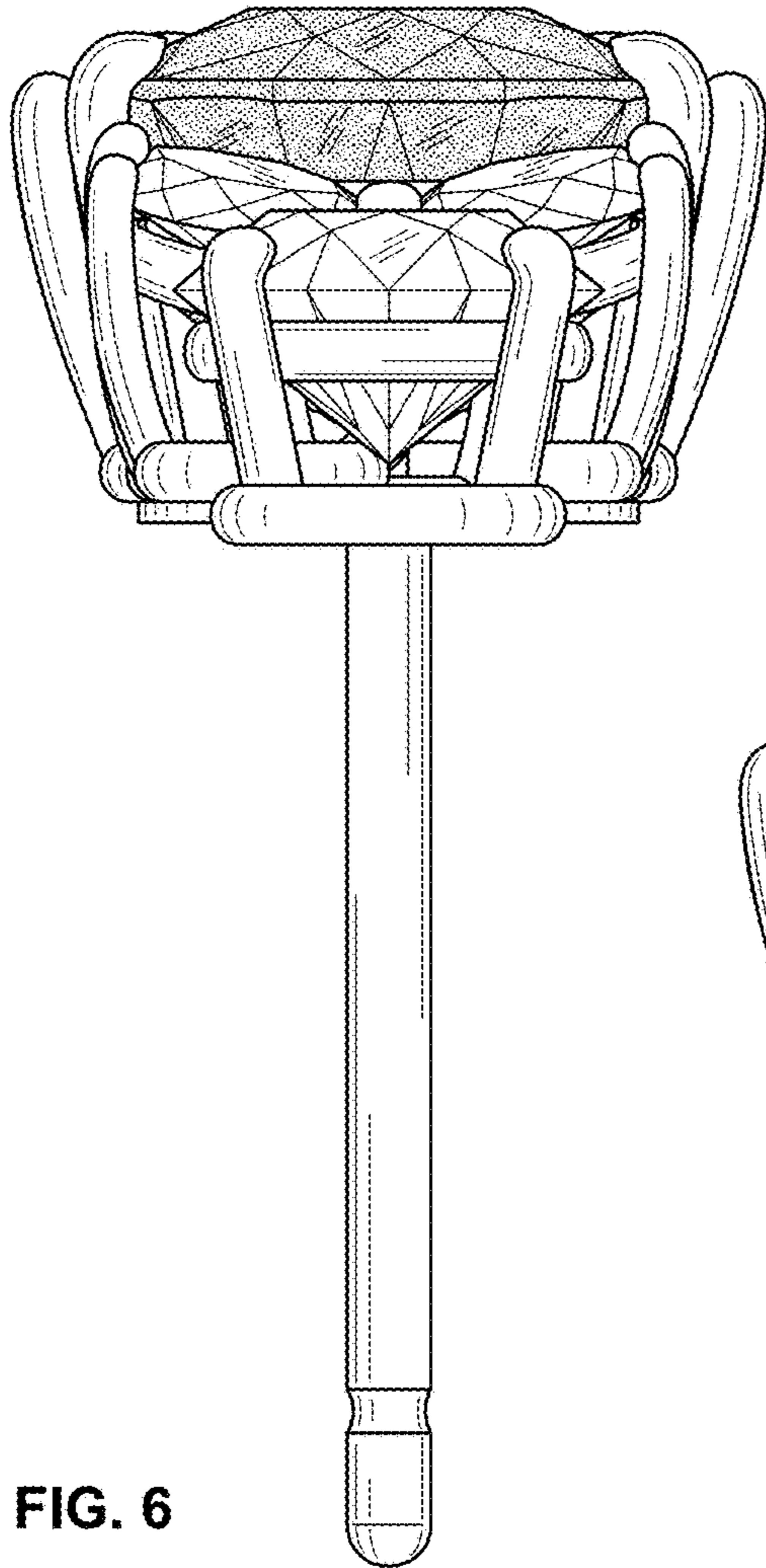


FIG. 6

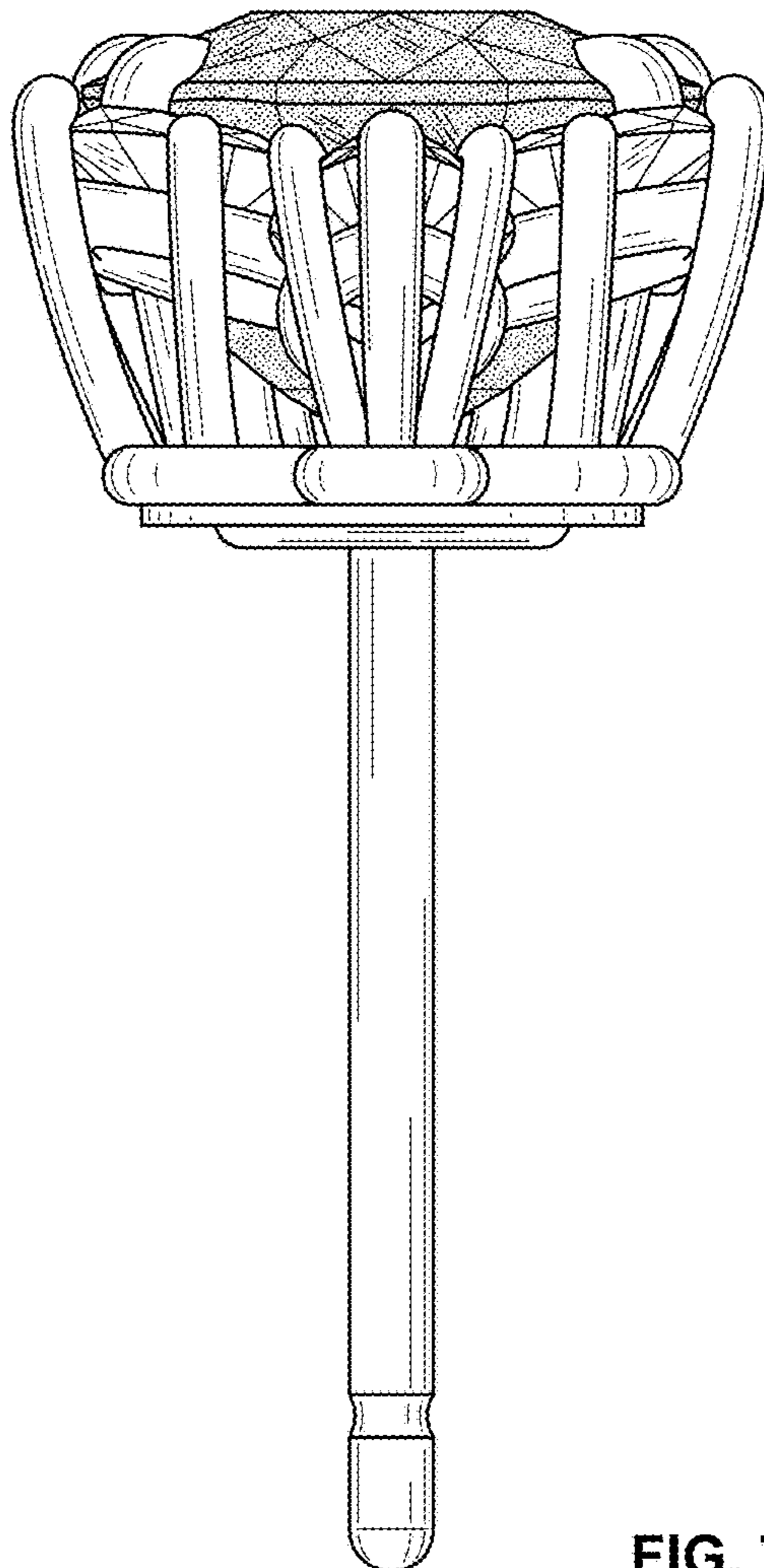


FIG. 7

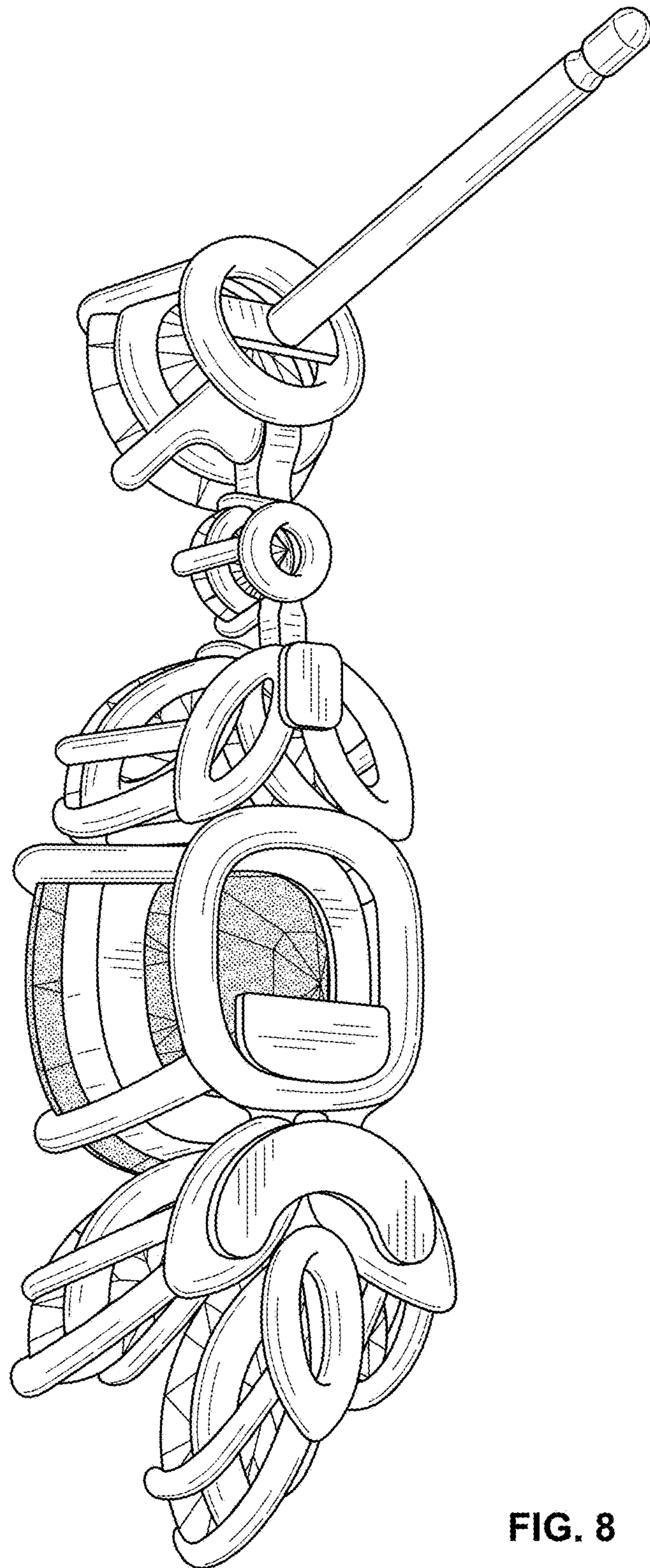


FIG. 8