



US00D785478S

(12) **United States Design Patent**
Hänninen

(10) **Patent No.:** **US D785,478 S**

(45) **Date of Patent:** **** May 2, 2017**

(54) **BLINKING PEDESTRIAN CROSSWALK SIGN**

(71) Applicant: **Jouni Hänninen**, Seinäjoki (FI)

(72) Inventor: **Jouni Hänninen**, Seinäjoki (FI)

(73) Assignee: **Inno Trafik Oy**, Tampere (FI)

(**) Term: **15 Years**

(21) Appl. No.: **29/548,781**

(22) Filed: **Dec. 16, 2015**

(51) **LOC (10) Cl.** **10-05**

(52) **U.S. Cl.**
USPC **D10/114.1**

(58) **Field of Classification Search**
USPC D10/109.1, 109.2, 113.4, 114.1, 114.9,
D10/118, 121
CPC G08G 1/0016; G08G 1/095; G08G 1/0145;
G08G 1/166; G08G 1/09; G08G
1/096783; B60Q 1/08; B60Q 1/52; B60Q
2300/45
See application file for complete search history.

(56) **References Cited**

U.S. PATENT DOCUMENTS

- 2,070,472 A * 2/1937 Criswell F21L 15/02
340/321
- 2,928,072 A * 3/1960 Arnold, Jr. B60Q 1/2611
340/815.66

- D215,507 S * 10/1969 Press, Jr. D10/114.1
- D322,584 S * 12/1991 Kawashima D10/114.6
- D363,036 S * 10/1995 Sasaki D10/114.6
- D411,124 S * 6/1999 Karlin D10/114.1
- D712,292 S * 9/2014 Yang D10/106.1

FOREIGN PATENT DOCUMENTS

- EM 001189997-0001 * 1/2010
- EM 001440754-0001 * 6/2015

* cited by examiner

Primary Examiner — George D Kirschbaum

Assistant Examiner — Joseph Kukella

(74) *Attorney, Agent, or Firm* — Dykema Gossett PLLC

(57) **CLAIM**

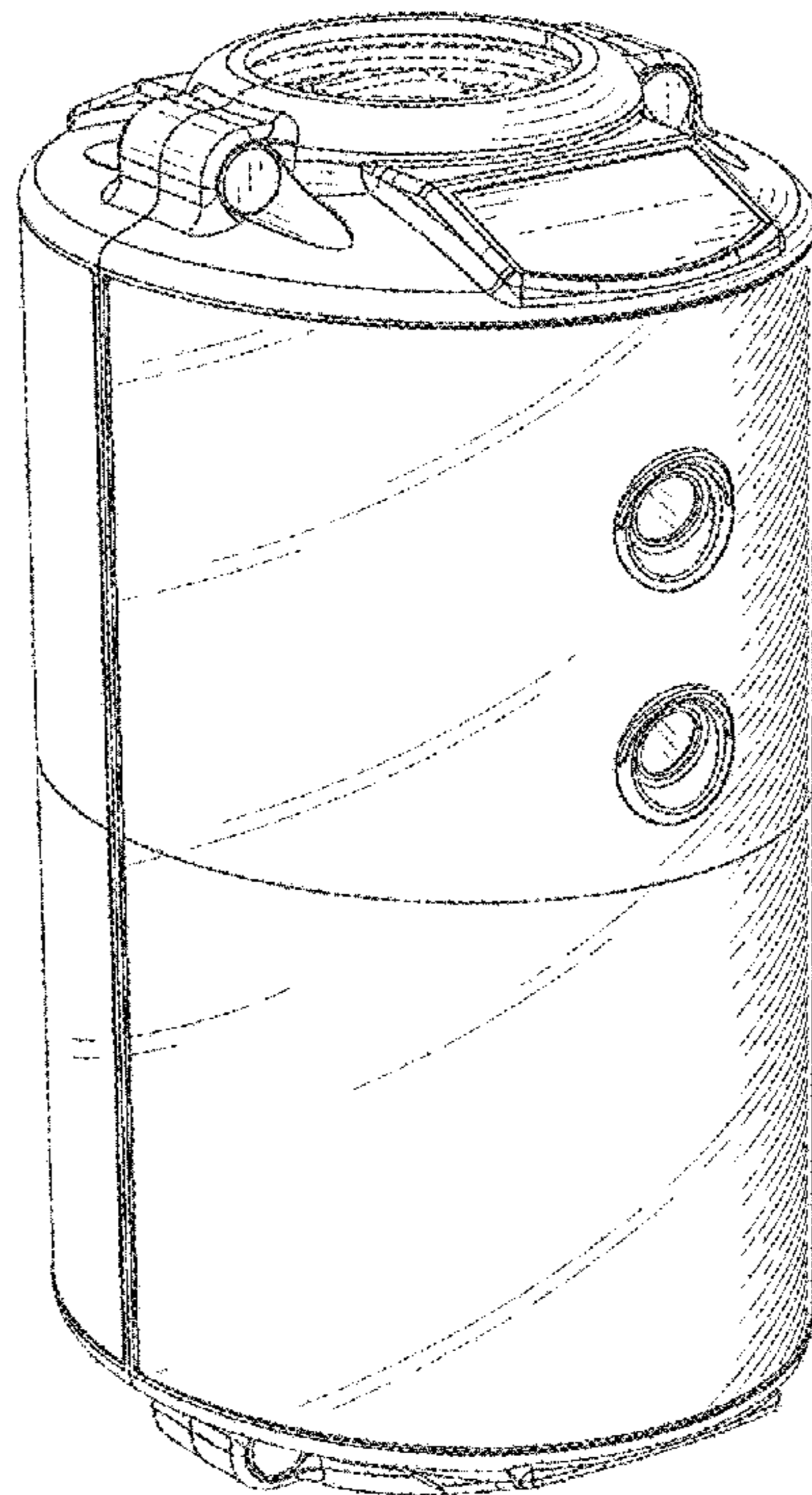
The ornamental design for a blinking pedestrian crosswalk sign, as shown and described.

DESCRIPTION

FIG. 1 is a front view of a blinking pedestrian crosswalk sign according to my new and ornamental design,
 FIG. 2 is a rear view thereof,
 FIG. 3 is a left side view thereof, the right side view being a mirror image,
 FIG. 4 is a top view thereof,
 FIG. 5 is a bottom view thereof,
 FIG. 6 is a perspective front view thereof; and,
 FIG. 7 is a perspective rear view thereof.

The features depicted in broken lines in the figures represent environment and do not form part of the claimed invention.

1 Claim, 7 Drawing Sheets



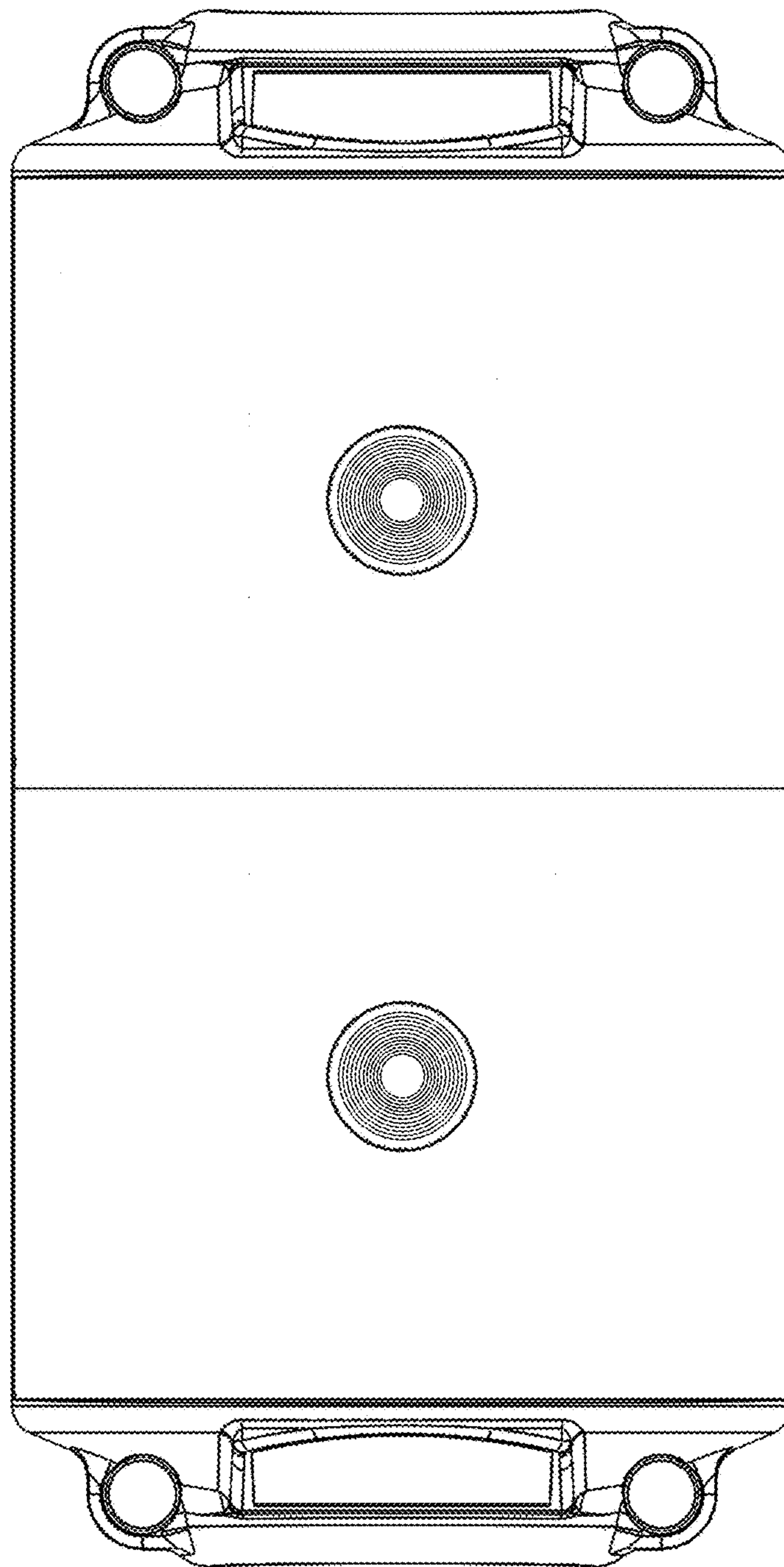


FIG. 1

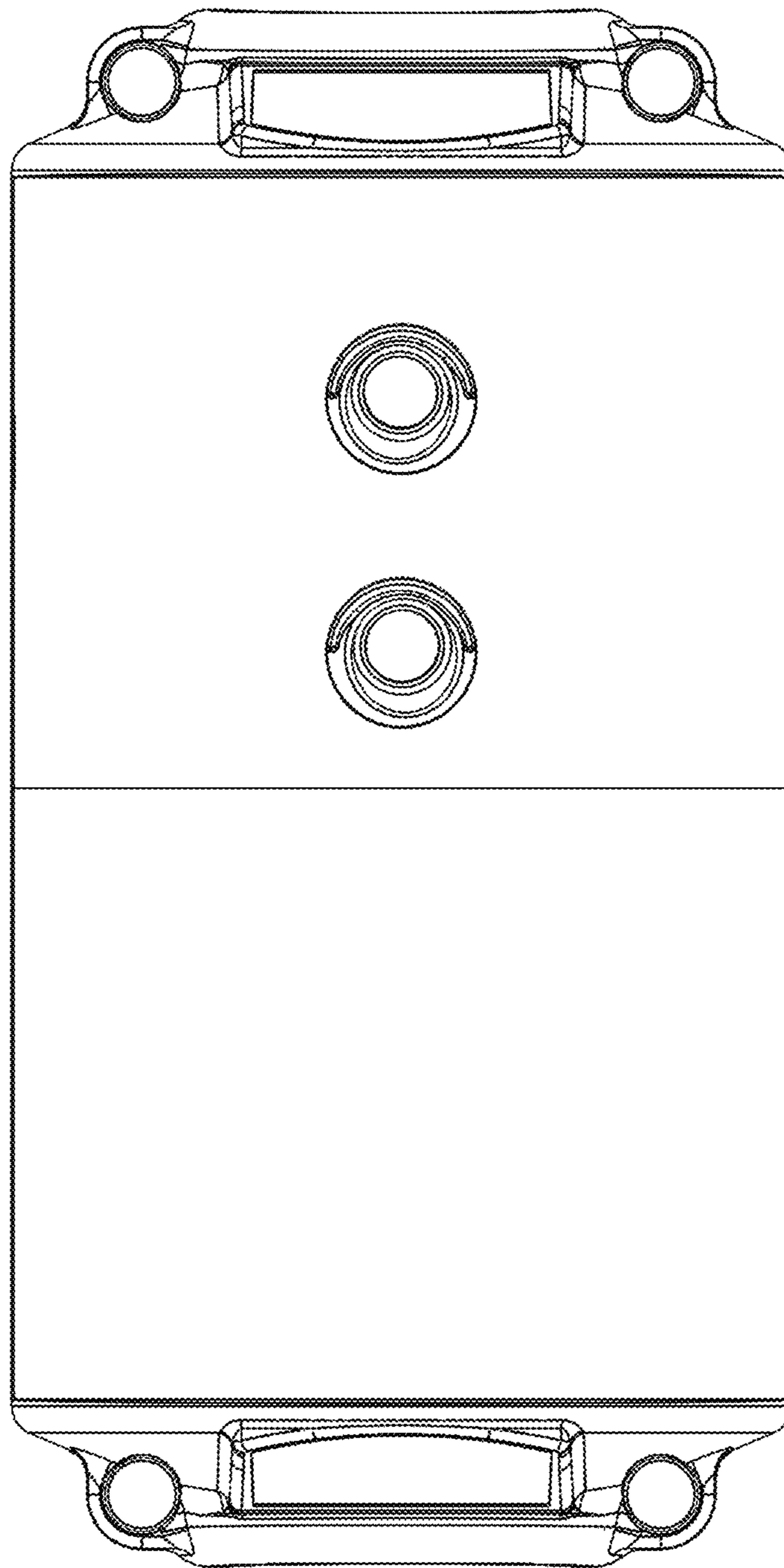


FIG. 2

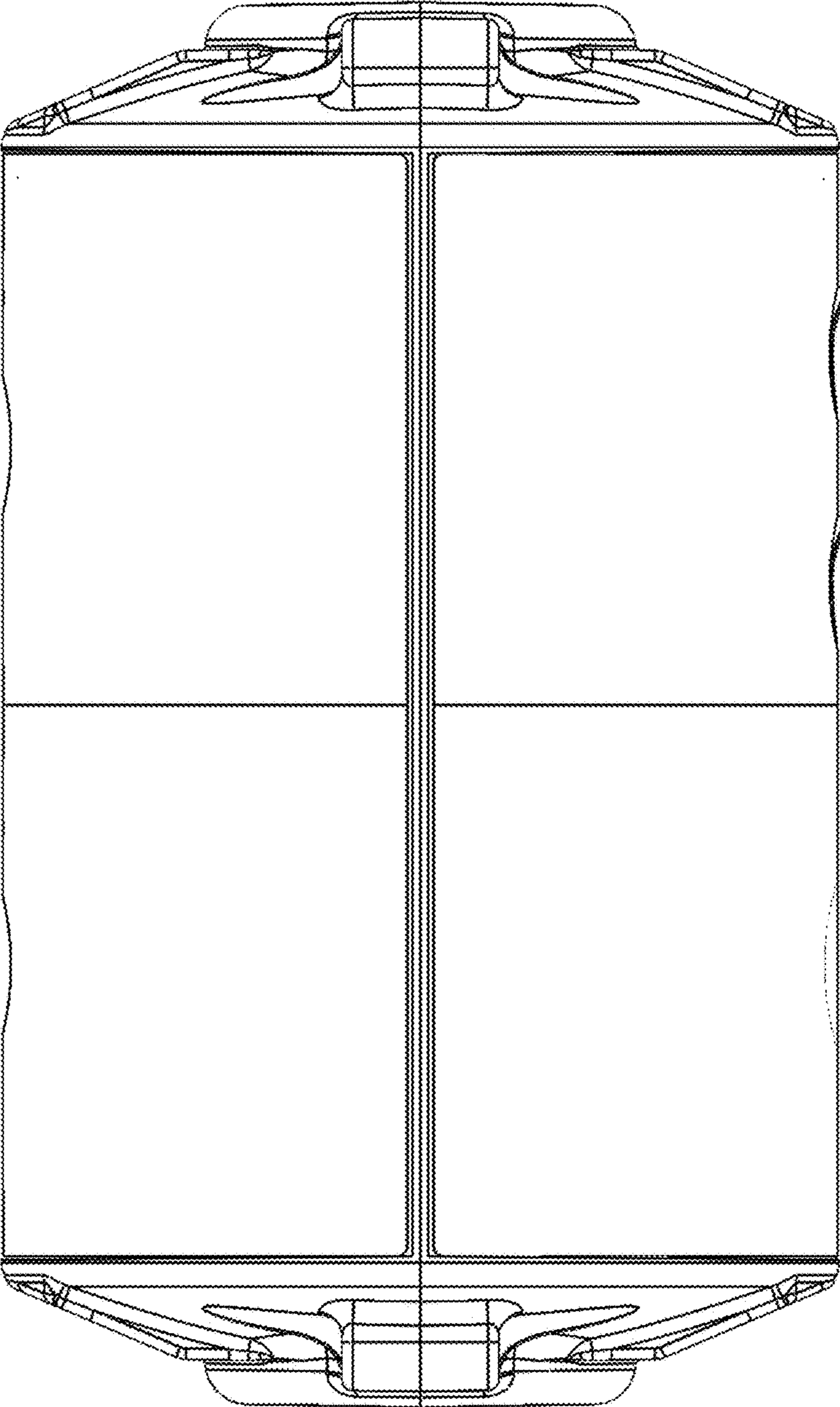


FIG. 3

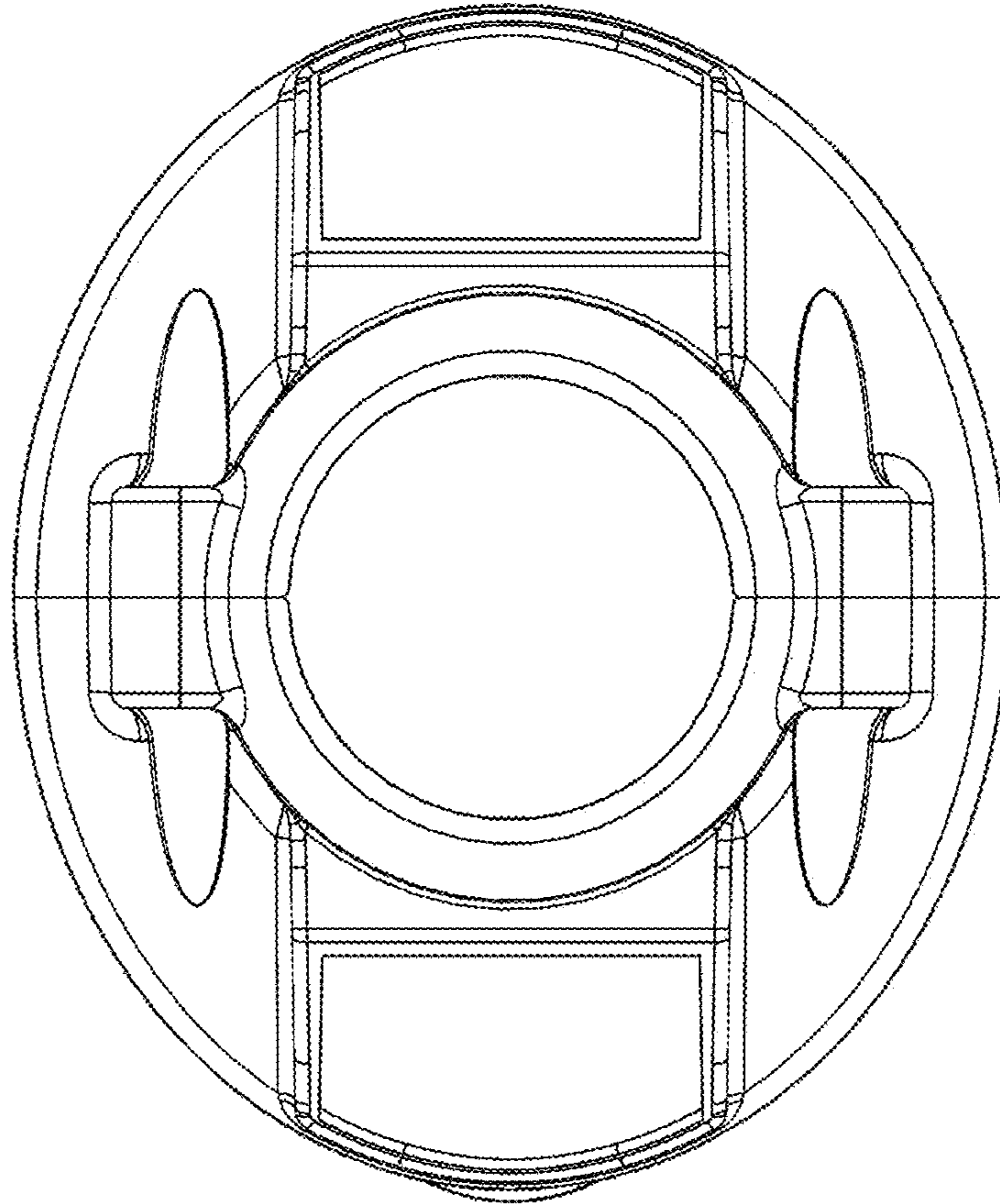


FIG. 4

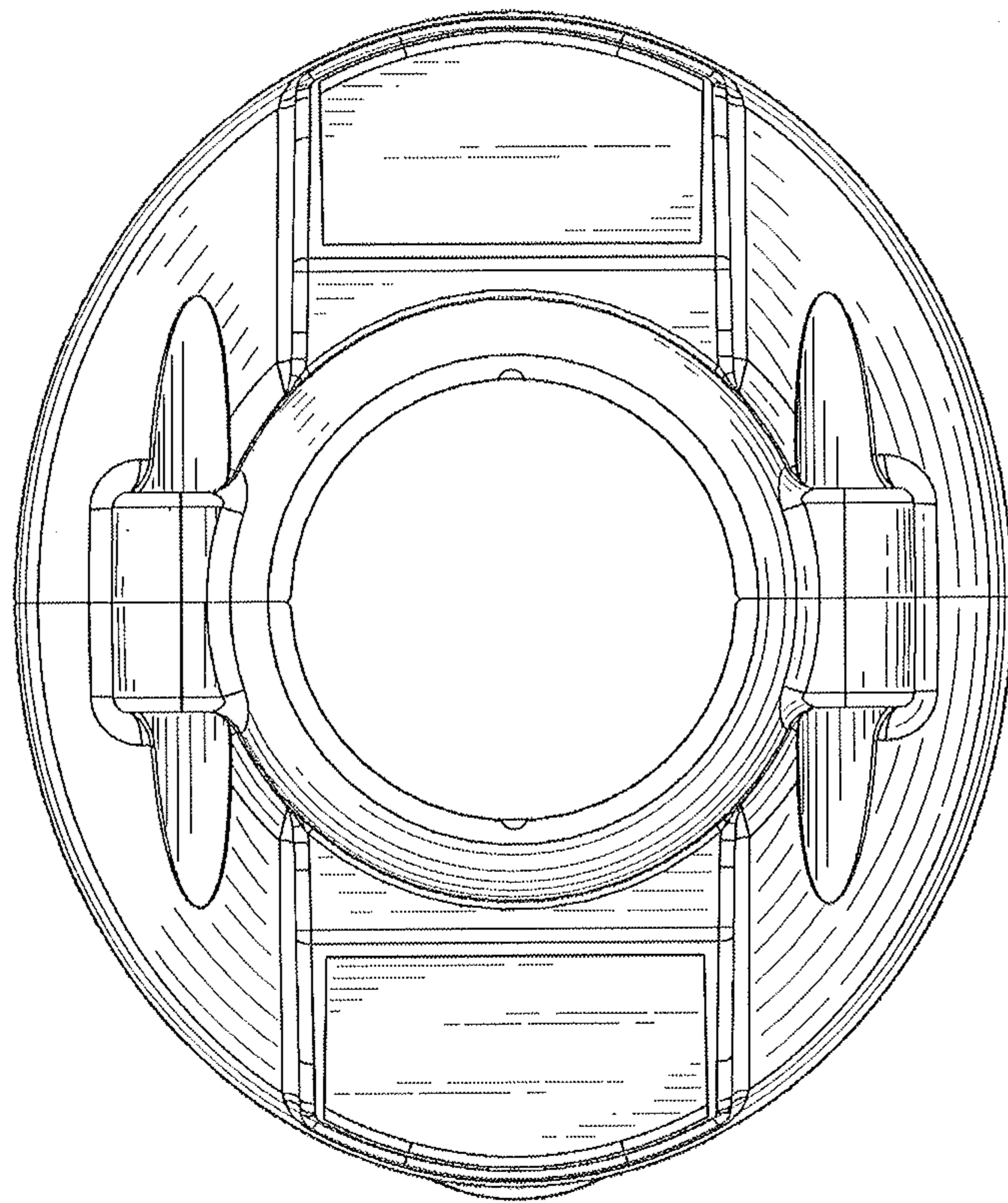


FIG. 5

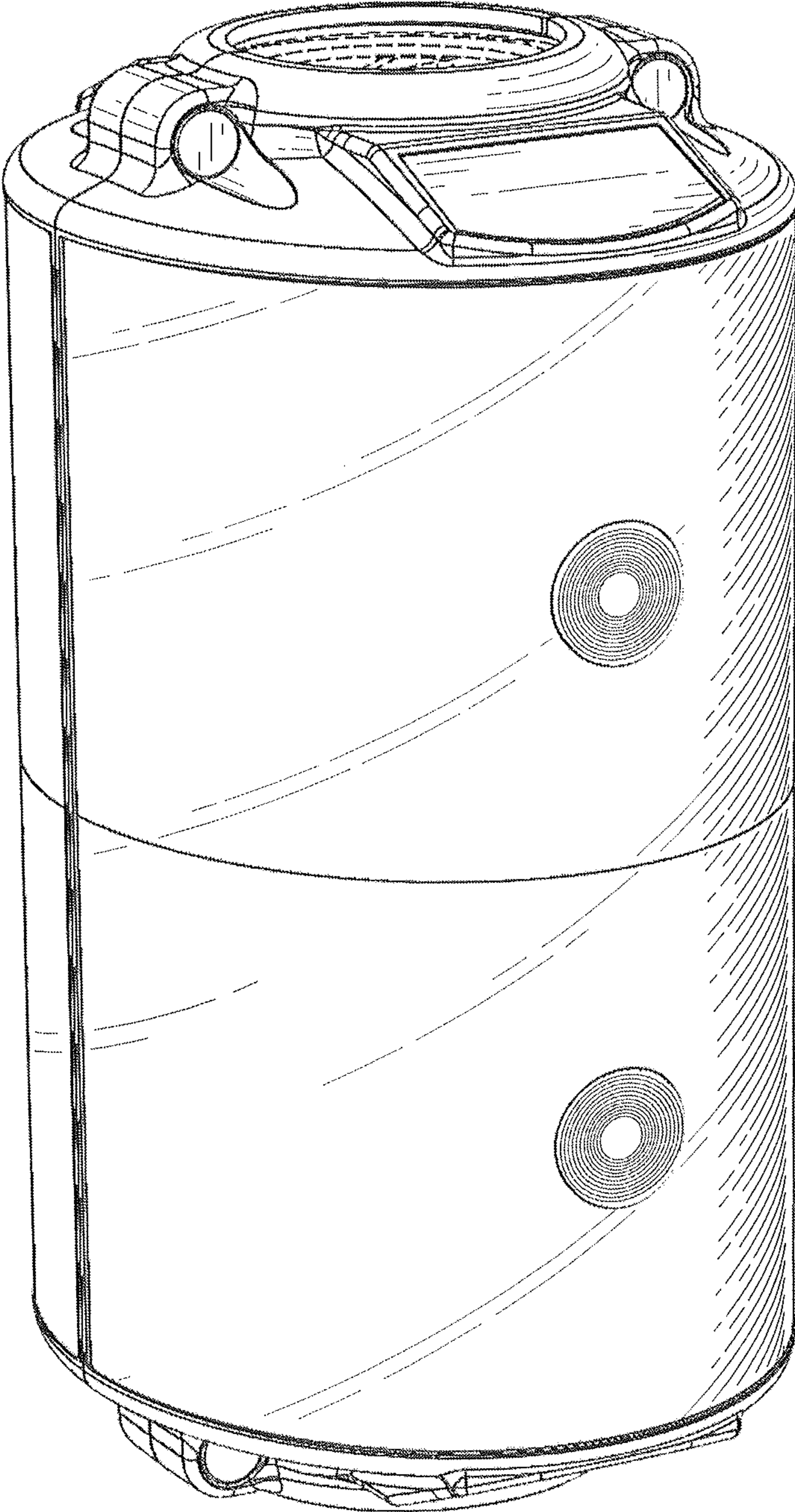


FIG. 6

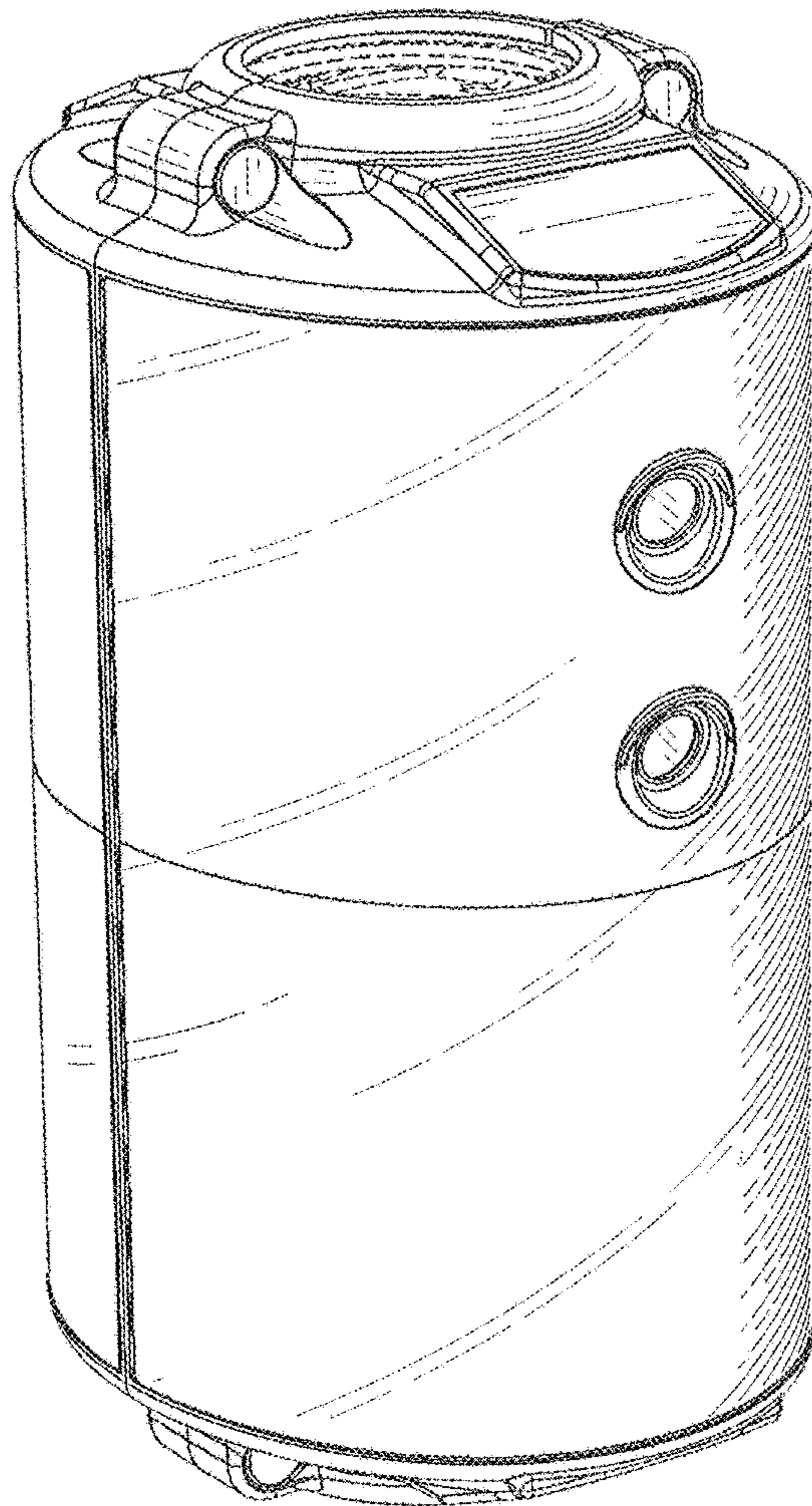


FIG. 7