



US00D785475S

(12) **United States Design Patent** (10) **Patent No.:** **US D785,475 S**
Graykowski et al. (45) **Date of Patent:** **** May 2, 2017**

(54) **TAPE MEASURE**

(71) Applicant: **Milwaukee Electric Tool Corporation**,
 Brookfield, WI (US)

(72) Inventors: **Anthony Graykowski**, Port
 Washington, WI (US); **Ross McIntyre**,
 Wauwatosa, WI (US)

(73) Assignee: **Milwaukee Electric Tool Corporation**,
 Brookfield, WI (US)

3,100,937 A 8/1963 Burch
 3,164,907 A 1/1965 Quenot
 3,214,836 A 11/1965 West
 3,499,225 A 3/1970 Darrah
 3,499,612 A 3/1970 Zelnick
 3,519,219 A 7/1970 Zelnick

(Continued)

FOREIGN PATENT DOCUMENTS

CN 2174684 8/1994
 DE 102006058396 A1 7/2008

(Continued)

(**) Term: **15 Years**

(21) Appl. No.: **29/548,136**

(22) Filed: **Dec. 10, 2015**

(51) **LOC (10) Cl.** **10-04**

(52) **U.S. Cl.**
 USPC **D10/72**

(58) **Field of Classification Search**
 USPC D10/72
 CPC G01B 3/10; G01B 3/1002; G01B 3/1041;
 G01B 2003/1043; G01B 2003/1046;
 G01B 2003/1048; G01B 2003/1051;
 G01B 2003/1053; G01B 2003/1097;
 G01B 3/1082; G01B 3/1056; G01B
 3/563; G01B 3/566; G01B 3/1071; G07B
 3/10

See application file for complete search history.

(56) **References Cited**

U.S. PATENT DOCUMENTS

14,947 A 5/1856 Buck et al.
 1,303,756 A 5/1919 Ballou
 1,613,676 A 1/1927 Raphael
 2,052,259 A 8/1936 Stowell
 2,156,905 A 5/1939 Stowell et al.
 2,574,272 A 11/1951 McCully
 2,614,769 A 10/1952 Nicholson
 2,683,933 A 7/1954 McFarland
 2,816,369 A 12/1957 Becker
 2,994,958 A 8/1961 Beeber

OTHER PUBLICATIONS

Hyun-Kyu Ko, "A Study on Design of Measure Tape for Home Use (for DIY)" (1996) Master's Thesis-Kyung Sung University, Graduate School of Industry, Department of Industrial Design, 658.04 4 (81 pages with English translation).

Primary Examiner — Antoine D Davis

(74) *Attorney, Agent, or Firm* — Reinhart Boerner Van Deuren s.c.

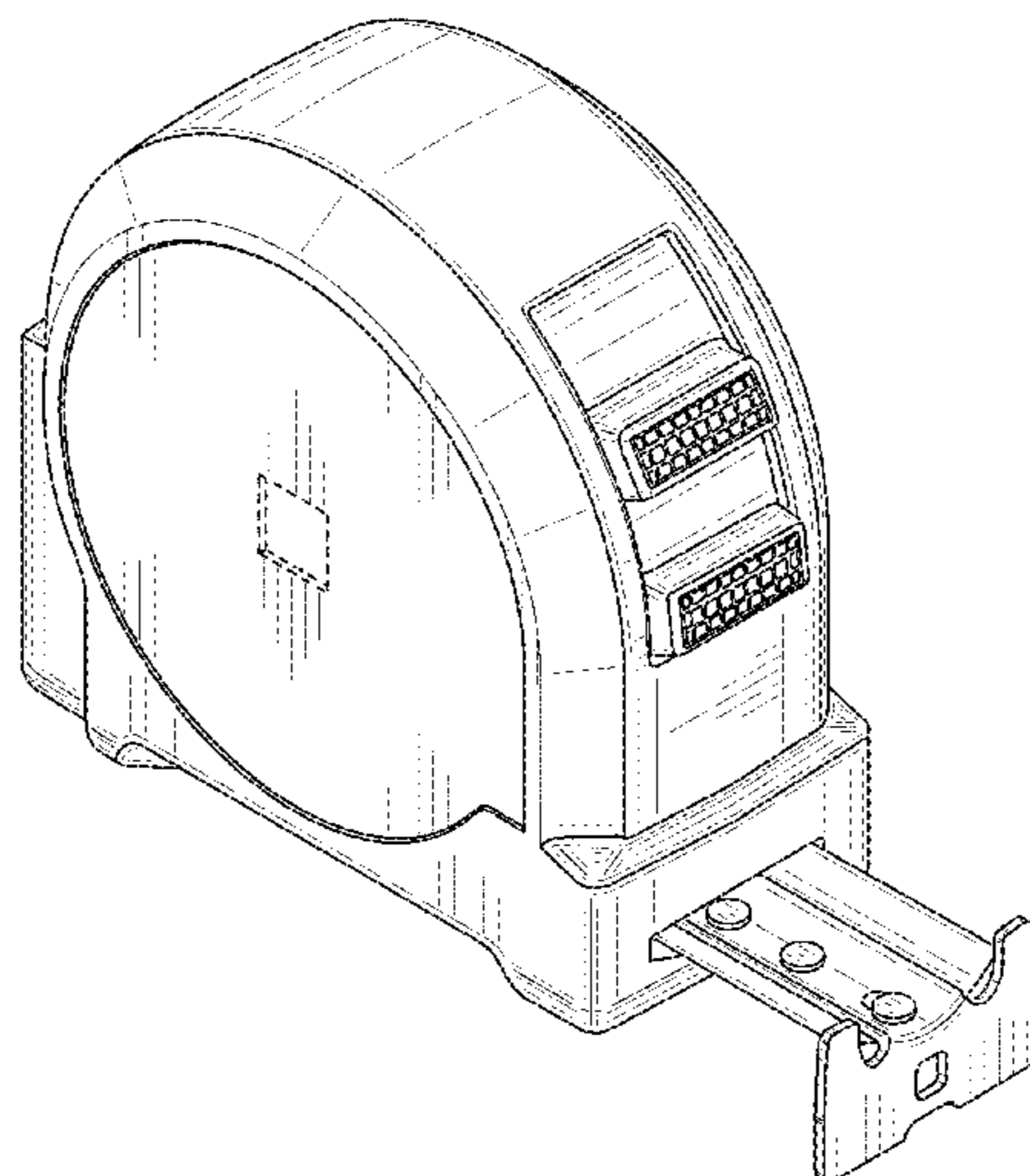
(57) **CLAIM**

We claim the ornamental design for a tape measure, as shown and described.

DESCRIPTION

FIG. 1 is a perspective view of a tape measure embodying the invention;
 FIG. 2 is a right side view of the tape measure of FIG. 1;
 FIG. 3 is a left side view of the tape measure of FIG. 1;
 FIG. 4 is a front view of the tape measure of FIG. 1;
 FIG. 5 is a rear view of the tape measure of FIG. 1;
 FIG. 6 is a top view of the tape measure of FIG. 1; and,
 FIG. 7 is a bottom view of the tape measure of FIG. 1.
 The elements shown in broken lines are included for the purpose of illustrating environment and form no part of the claimed design.

1 Claim, 6 Drawing Sheets



(56)

References Cited

U.S. PATENT DOCUMENTS

3,519,220 A	7/1970	Zelnick	5,208,767 A	5/1993	George-Kelso et al.
3,521,831 A	7/1970	Schmidt	5,210,956 A	5/1993	Knispel et al.
3,570,782 A	3/1971	Hayes	5,230,158 A	7/1993	Wall
3,577,641 A	5/1971	Smith	D342,210 S	12/1993	Grossman
3,578,259 A	5/1971	Zelnick	D342,459 S	12/1993	Shen
3,672,597 A	6/1972	Williamson	D342,687 S	12/1993	Kang
3,713,603 A	1/1973	Shore	5,335,421 A	8/1994	Jones, Jr.
3,716,201 A	2/1973	West	D350,703 S	9/1994	Fifer
3,816,925 A	6/1974	Hogan et al.	5,367,785 A	11/1994	Benarroch
3,838,520 A	10/1974	Quenot	5,448,837 A	9/1995	Han-Teng
3,869,096 A	3/1975	Hogan et al.	D365,769 S	1/1996	Kang
3,874,608 A	4/1975	Quenot	5,481,813 A	1/1996	Templeton
3,905,114 A	9/1975	Rutty	5,506,378 A	4/1996	Goldenberg
3,908,277 A	9/1975	Rutty	5,531,395 A	7/1996	Hsu
3,918,657 A	11/1975	Hawker et al.	5,542,184 A	8/1996	Beard
3,942,738 A	3/1976	Rutty	D375,269 S	11/1996	Wertheim
4,067,513 A	1/1978	Rutty et al.	5,575,077 A	11/1996	JungTae
4,077,128 A	3/1978	Stoutenberg	5,600,894 A	2/1997	Blackman et al.
D247,878 S	5/1978	Covey	5,659,970 A	8/1997	Reedy
4,103,426 A	8/1978	Robin	5,699,623 A	12/1997	Lee
4,121,785 A	10/1978	Quenot	5,746,004 A	5/1998	Wertheim
4,131,244 A	12/1978	Quenot	D396,816 S	8/1998	Kang
4,142,693 A	3/1979	Czerwinski	D397,304 S	8/1998	Kang
4,149,320 A	4/1979	Troyer et al.	5,791,581 A	8/1998	Loeffler et al.
4,153,996 A	5/1979	Rutty	5,794,357 A	8/1998	Gilliam et al.
4,161,781 A	7/1979	Hildebrandt et al.	D397,626 S	9/1998	Davis
4,164,334 A	8/1979	Rathbun et al.	D397,950 S	9/1998	Blackman
4,164,816 A	8/1979	Bergkvist	5,806,202 A	9/1998	Blackman et al.
D253,876 S	1/1980	Covey	5,815,940 A	10/1998	Valentine, Sr.
D253,877 S	1/1980	Covey et al.	5,820,057 A	10/1998	Decarolis et al.
4,186,490 A	2/1980	Quenot	5,829,152 A	11/1998	Potter et al.
4,200,983 A	5/1980	West et al.	D402,216 S	12/1998	Gilliam
4,215,828 A	8/1980	Rathbun et al.	5,842,284 A	12/1998	Goldman
4,215,829 A	8/1980	Boyllin	5,875,557 A	3/1999	Ueki
D256,894 S	9/1980	Bruno	5,884,408 A	3/1999	Simmons
D257,008 S	9/1980	Hildebrandt	5,894,677 A	4/1999	Hoffman
4,286,387 A	9/1981	Di Diego	5,895,539 A	4/1999	Hsu
4,288,923 A	9/1981	Duda	D409,104 S	5/1999	Yang
4,363,171 A	12/1982	Scandella	5,913,586 A	6/1999	Marshall
4,411,072 A	10/1983	Rutty et al.	5,922,999 A	7/1999	Yang
4,427,883 A	1/1984	Betensky et al.	D412,858 S	8/1999	Staton
4,429,462 A	2/1984	Rutty et al.	5,990,435 A	11/1999	Chao
4,433,486 A	2/1984	Muehlenbein	6,011,472 A	1/2000	Pendergraph et al.
4,434,952 A	3/1984	Czerwinski et al.	D420,606 S	2/2000	Hsu
4,449,302 A	5/1984	Drechsler et al.	D421,230 S	2/2000	Gilliam
4,462,160 A	7/1984	Cohen et al.	6,026,585 A	2/2000	Li
4,476,635 A	10/1984	Hart	6,032,379 A	3/2000	Usami
4,479,617 A	10/1984	Edwards	D423,382 S	4/2000	Piotrkowski
4,487,379 A	12/1984	Drechsler et al.	6,052,914 A	4/2000	Soon
4,489,494 A	12/1984	Duda	D424,454 S	5/2000	Ikeda
4,516,325 A	5/1985	Cohen et al.	6,082,017 A	7/2000	Simar
D279,553 S	7/1985	Drechsler	6,085,433 A	7/2000	Li
4,527,334 A	7/1985	Jones et al.	6,098,303 A	8/2000	Vogel
4,547,969 A	10/1985	Haack	6,108,926 A	8/2000	Fraser et al.
4,574,486 A	3/1986	Drechsler	6,115,933 A	9/2000	Li
4,578,867 A	4/1986	Czerwinski et al.	RE36,887 E	10/2000	Goldman
4,583,294 A	4/1986	Hutchins et al.	6,148,534 A	11/2000	Li
4,603,481 A	8/1986	Cohen et al.	6,161,299 A	12/2000	Lin
4,619,020 A	10/1986	Lecher, Sr.	6,167,635 B1	1/2001	Lin
4,748,746 A	6/1988	Jacoff	6,178,655 B1	1/2001	Potter et al.
4,811,489 A	3/1989	Walker	D438,478 S	3/2001	Lin
4,860,901 A	8/1989	Hochreuther et al.	D439,531 S	3/2001	Davis et al.
4,896,280 A	1/1990	Phillips	6,209,219 B1	4/2001	Wakefield
4,930,227 A	6/1990	Ketchpel	D441,308 S	5/2001	Davis
4,965,941 A	10/1990	Agostinacci	D442,076 S	5/2001	Swanson
4,972,601 A	11/1990	Bickford et al.	6,237,243 B1	5/2001	Cook
4,982,910 A	1/1991	Bickford	RE37,212 E	6/2001	Marshall
4,998,356 A	3/1991	Chapin	6,243,964 B1	6/2001	Murray
5,010,657 A	4/1991	Knapp	6,249,986 B1	6/2001	Murray
5,038,985 A	8/1991	Chapin	D447,069 S	8/2001	Budrow
5,046,339 A	9/1991	Krell	6,272,764 B1	8/2001	Lin
5,062,215 A	11/1991	Schlitt	6,276,071 B1	8/2001	Khachatoorian
5,134,784 A	8/1992	Atienza	D447,712 S	9/2001	Hsu
D333,628 S	3/1993	Piotrkowski	6,282,808 B1	9/2001	Murray
5,189,801 A	3/1993	Nicely	6,308,432 B1	10/2001	Gilliam et al.
			D451,041 S	11/2001	Chen
			D451,832 S	12/2001	Lamond et al.
			6,324,769 B1	12/2001	Murray
			6,338,204 B1	1/2002	Howle

(56)

References Cited

U.S. PATENT DOCUMENTS

D453,303 S	2/2002	Lin	7,159,331 B2	1/2007	Critelli et al.
6,349,482 B1	2/2002	Gilliam	7,168,182 B2	1/2007	Kilpatrick et al.
6,367,161 B1	4/2002	Murray et al.	7,174,655 B1	2/2007	Gibbons et al.
D458,163 S	6/2002	Kang	7,174,656 B1	2/2007	Smith
D458,550 S	6/2002	Hsu	7,178,257 B2	2/2007	Kang et al.
6,431,486 B1	8/2002	Lee	7,185,446 B1	3/2007	King
D463,300 S	9/2002	Li	D540,207 S	4/2007	Ikeda
6,442,863 B1	9/2002	Poineau et al.	7,234,246 B1	6/2007	Rhead
6,449,866 B1	9/2002	Murray	RE39,719 E	7/2007	Murray
D464,277 S	10/2002	Tarver	D545,701 S	7/2007	Cooper
D464,579 S	10/2002	Martone	D547,681 S	7/2007	Nelson et al.
6,470,582 B1	10/2002	Renko	7,240,439 B2	7/2007	Critelli et al.
6,470,590 B1	10/2002	Lee	7,284,339 B1	10/2007	Campbell et al.
6,490,809 B1	12/2002	Li	7,299,565 B2	11/2007	Marshall et al.
6,497,050 B1	12/2002	Ricalde	D557,155 S	12/2007	Sa'ar
6,499,226 B1	12/2002	Reda et al.	D558,620 S	1/2008	Critelli et al.
D469,704 S	2/2003	Williams et al.	D560,522 S	1/2008	Farnworth et al.
RE38,032 E	3/2003	Butwin	7,334,344 B2	2/2008	Scarborough
D471,473 S	3/2003	Blackman et al.	7,343,694 B2	3/2008	Erdfarb
D471,827 S	3/2003	Ranieri et al.	D565,441 S	4/2008	Critelli
6,530,159 B2	3/2003	Tarver	D565,442 S	4/2008	Critelli
6,543,144 B1	4/2003	Morin	7,353,619 B2	4/2008	Gibbons et al.
6,546,644 B2	4/2003	Poineau et al.	7,363,723 B1	4/2008	Peterson
D474,412 S	5/2003	Ichinose et al.	7,377,050 B2	5/2008	Shute et al.
6,568,099 B2	5/2003	Bergeron	7,398,604 B2	7/2008	Murray
D476,913 S	7/2003	Blackman et al.	7,406,778 B2	8/2008	Lee et al.
6,595,451 B1	7/2003	Kang et al.	7,415,777 B2	8/2008	Campbell et al.
6,598,310 B1	7/2003	Odachowski	7,415,778 B1	8/2008	McEwan et al.
6,637,124 B2	10/2003	Pederson	D579,359 S	10/2008	Critelli et al.
6,637,126 B2	10/2003	Balota	7,434,330 B2	10/2008	McEwan et al.
6,643,947 B2	11/2003	Murray	7,454,845 B2	11/2008	Wise
D485,770 S	1/2004	Lee	D582,810 S	12/2008	Cook
D486,086 S	2/2004	Jueneman	7,458,537 B2	12/2008	Critelli et al.
6,684,522 B2	2/2004	Chilton	7,475,842 B2	1/2009	Campbell
6,688,010 B1	2/2004	Schwaerzler	7,487,600 B1	2/2009	Cooper
6,691,426 B1	2/2004	Lee et al.	7,490,414 B2	2/2009	Critelli et al.
6,694,622 B2	2/2004	Kim	7,490,415 B1	2/2009	Cubbedge
6,698,679 B1	3/2004	Critelli et al.	D590,283 S	4/2009	Critelli et al.
6,718,649 B1	4/2004	Critelli et al.	D590,284 S	4/2009	Critelli et al.
6,760,979 B1	7/2004	Hsu	7,555,845 B2	7/2009	Critelli et al.
6,796,052 B1	9/2004	Lin	7,559,154 B2	7/2009	Levine et al.
6,804,899 B2	10/2004	Murray	7,565,751 B2	7/2009	Murray
6,811,109 B1	11/2004	Blackman et al.	7,594,341 B2	9/2009	Erdfarb
6,836,975 B2	1/2005	Lin	D603,248 S	11/2009	Bar-Erez
6,839,981 B2	1/2005	Rafter	7,617,616 B1	11/2009	Berg
6,854,197 B2	2/2005	Knight	7,627,958 B2	12/2009	Tallon et al.
D503,351 S	3/2005	Chen	7,631,437 B2	12/2009	Sanderson
D503,637 S	4/2005	Noel	D611,849 S	3/2010	Cook et al.
D503,897 S	4/2005	Lin	7,669,347 B1	3/2010	Huang
6,874,245 B2	4/2005	Liu	D613,629 S	4/2010	Suzuki
D504,628 S	5/2005	Weeks et al.	D614,516 S	4/2010	Capra
D504,835 S	5/2005	Snider	7,703,216 B2	4/2010	Huang
D504,836 S	5/2005	Wang	D617,224 S	6/2010	Delneo et al.
6,892,468 B2	5/2005	Murray	7,805,855 B2	10/2010	Seo
6,904,697 B2	6/2005	Zars	7,845,093 B2	12/2010	Smiroldo
D507,195 S	7/2005	Kondo et al.	7,846,673 B2	12/2010	Pastorek et al.
6,918,191 B2	7/2005	Stauffer et al.	7,854,074 B2	12/2010	Zhou
6,920,700 B2	7/2005	Ekdahl et al.	7,913,406 B2	3/2011	Norelli
6,931,734 B2	8/2005	Elder et al.	7,918,037 B1	4/2011	Polkhovskiy
6,931,753 B2	8/2005	Ryals et al.	7,987,611 B2	8/2011	Taylor
6,935,045 B2	8/2005	Cubbedge	8,015,723 B2	9/2011	Solomon
6,938,354 B2	9/2005	Worthington	8,056,849 B2	11/2011	Ng et al.
6,944,961 B2	9/2005	Carroll	8,081,815 B2	12/2011	Kotake
6,959,499 B2	11/2005	Bini	D653,974 S	2/2012	Capra
6,962,002 B2	11/2005	Panosian	8,117,762 B2	2/2012	Delneo et al.
D514,962 S	2/2006	Armendariz	8,117,763 B2	2/2012	Delneo et al.
6,996,915 B2	2/2006	Ricalde	D660,735 S	5/2012	Petrillo
7,024,791 B2	4/2006	Marshall et al.	8,215,027 B2	7/2012	Kang
D522,890 S	6/2006	Huang	8,375,595 B2	2/2013	Murray et al.
7,055,260 B1	6/2006	Hoffman	8,381,411 B2	2/2013	Delarosa et al.
7,057,484 B2	6/2006	Gilmore	D680,888 S *	4/2013	Ranieri D10/72
7,059,061 B2	6/2006	French	8,407,909 B2	4/2013	Lindsay
7,131,214 B1	11/2006	Blackman et al.	D726,043 S *	4/2015	Cook D10/72
7,131,215 B2	11/2006	Kang	D733,597 S	7/2015	Hyma et al.
D535,900 S	1/2007	McKinney	D756,251 S *	5/2016	Ranieri D10/72
			2001/0003872 A1	6/2001	Pederson
			2001/0042315 A1	11/2001	Dixon
			2002/0011008 A1	1/2002	Nelson et al.
			2002/0066193 A1	6/2002	Hodge

(56)

References Cited

U.S. PATENT DOCUMENTS

2002/0066774 A1 6/2002 Prochac
 2002/0073570 A1 6/2002 Conder
 2003/0009899 A1 1/2003 Ha
 2003/0019116 A1 1/2003 Dewall
 2003/0019123 A1 1/2003 Lin
 2003/0070315 A1 4/2003 Bergeron
 2003/0213141 A1 11/2003 Lin
 2003/0233762 A1 12/2003 Blackman et al.
 2004/0044438 A1 3/2004 Lorraine et al.
 2004/0055174 A1 3/2004 Hirsch, Jr.
 2004/0071869 A1 4/2004 Gilliam et al.
 2004/0088875 A1 5/2004 Lee et al.
 2004/0163267 A1 8/2004 Bini
 2004/0163271 A1 8/2004 Zars
 2004/0163272 A1 8/2004 Knight
 2005/0005470 A1 1/2005 Snider
 2005/0028396 A1 2/2005 Stauffer et al.
 2005/0155244 A1 7/2005 Ryals et al.
 2005/0155245 A1 7/2005 Panosian
 2005/0252020 A1 11/2005 Critelli et al.
 2005/0252021 A1 11/2005 Kang
 2006/0010705 A1 1/2006 Dettellis
 2006/0096112 A1 5/2006 Berring
 2006/0096113 A1 5/2006 Kang et al.
 2006/0107546 A1 5/2006 Pritchard
 2006/0130352 A1 6/2006 Huang
 2006/0185185 A1 8/2006 Scarborough
 2006/0230627 A1 10/2006 Blackman et al.
 2006/0248742 A1 11/2006 Marshall et al.
 2006/0283036 A1 12/2006 Huang
 2007/0017111 A1 1/2007 Hoback et al.
 2007/0056182 A1 3/2007 Di Bitonto et al.
 2007/0079520 A1 4/2007 Levine et al.
 2007/0152091 A1 7/2007 Campbell
 2007/0171630 A1 7/2007 Gibbons et al.
 2007/0227028 A1 10/2007 Campbell et al.
 2008/0028628 A1 2/2008 Campbell et al.
 2008/0086902 A1 4/2008 Murray
 2008/0086903 A1 4/2008 Peterson
 2008/0086904 A1 4/2008 Murray
 2008/0285854 A1 11/2008 Kotake et al.
 2009/0064517 A1 3/2009 Sanderson
 2009/0064525 A1 3/2009 Chen
 2009/0064526 A1 3/2009 Farnworth et al.
 2009/0249636 A1 10/2009 Reda et al.
 2010/0139110 A1 6/2010 Germain
 2010/0314277 A1 12/2010 Murray
 2010/0325910 A1 12/2010 Huang
 2011/0005094 A1 1/2011 Solomon
 2011/0138642 A1 6/2011 Norelli
 2011/0179661 A1 7/2011 Delneo et al.
 2011/0179663 A1 7/2011 Kang

2011/0179664 A1 7/2011 Delneo et al.
 2012/0036727 A1 2/2012 McCarthy
 2012/0055038 A1 3/2012 Lindsay
 2012/0073156 A1 3/2012 Delarosa et al.
 2012/0159799 A1 6/2012 Murray et al.
 2012/0167403 A1 7/2012 Roeske
 2013/0025147 A1 1/2013 Steele et al.
 2013/0025148 A1 1/2013 Steele et al.
 2013/0047455 A1 2/2013 Steele et al.
 2013/0185949 A1 7/2013 Burch et al.

FOREIGN PATENT DOCUMENTS

DE 102006058396 B4 6/2011
 EP 66322 10/1986
 EP 199430 10/1986
 EP 531570 3/1993
 EP 427932 2/1996
 EP 724133 7/1996
 EP 0896200 A2 2/1999
 EP 0896200 A3 12/1999
 EP 1074813 2/2001
 EP 1175840 1/2002
 EP 1411319 4/2004
 EP 1144947 9/2004
 EP 1469276 10/2004
 EP 1104542 12/2004
 EP 1553382 7/2005
 EP 922196 11/2005
 EP 1647797 4/2006
 EP 1237431 10/2006
 EP 1914508 4/2008
 EP 1914509 4/2008
 EP 2469218 6/2012
 GB 690458 4/1953
 JP 1961002384 2/1961
 JP 1983134704 9/1983
 JP 10332301 12/1998
 KR 19840001901 9/1984
 KR 19910004712 11/1991
 WO WO 9402799 2/1994
 WO WO 9714541 4/1997
 WO WO 9809133 3/1998
 WO WO 9811402 3/1998
 WO WO 9823524 6/1998
 WO WO 9923447 5/1999
 WO WO 0009969 2/2000
 WO WO 0060306 10/2000
 WO WO 02057710 7/2002
 WO WO 03031903 4/2003
 WO WO 2005008171 1/2005
 WO WO 2007059353 5/2007
 WO WO 2007059354 5/2007
 WO WO 2007126960 11/2007

* cited by examiner

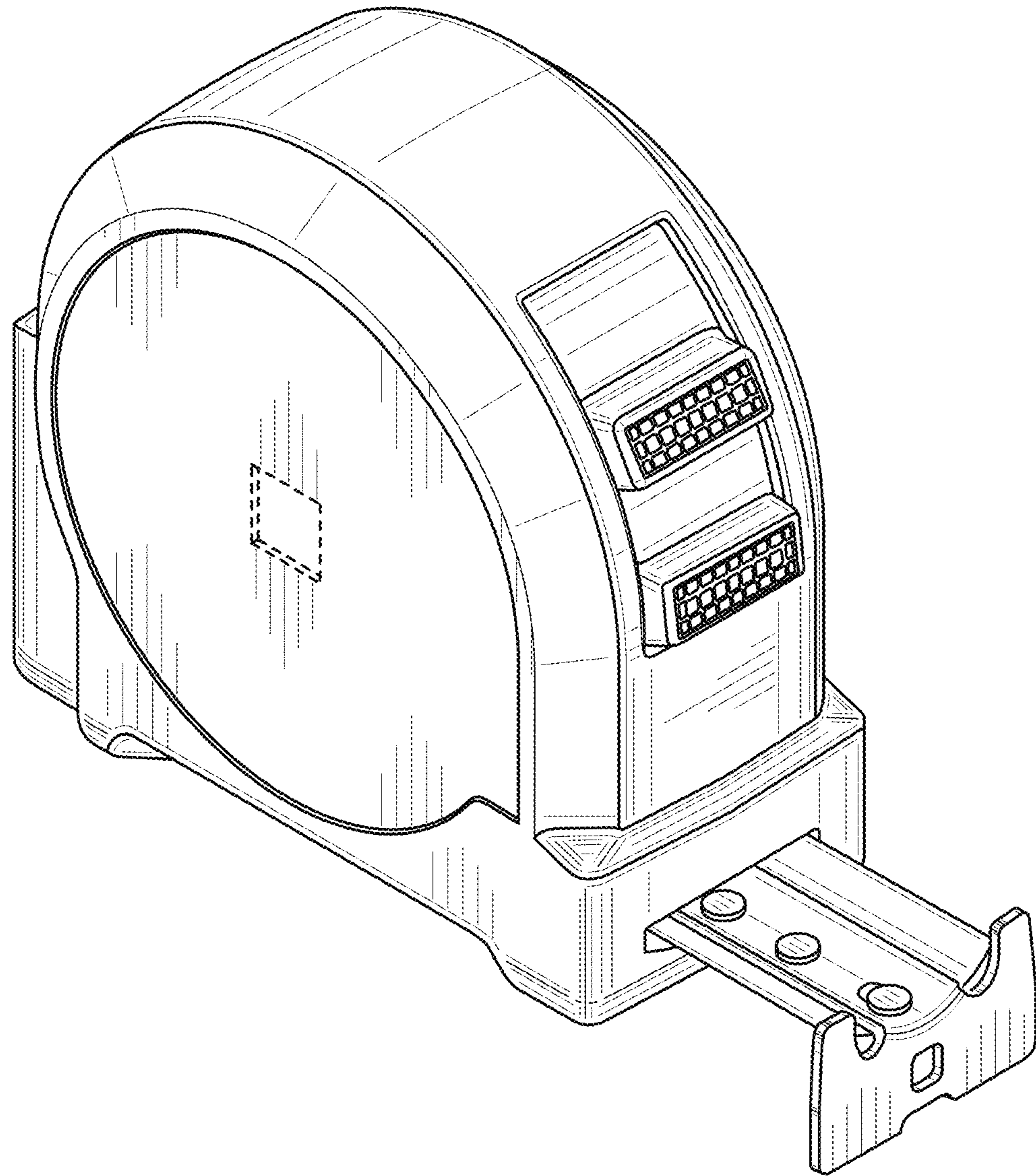


FIG. 1

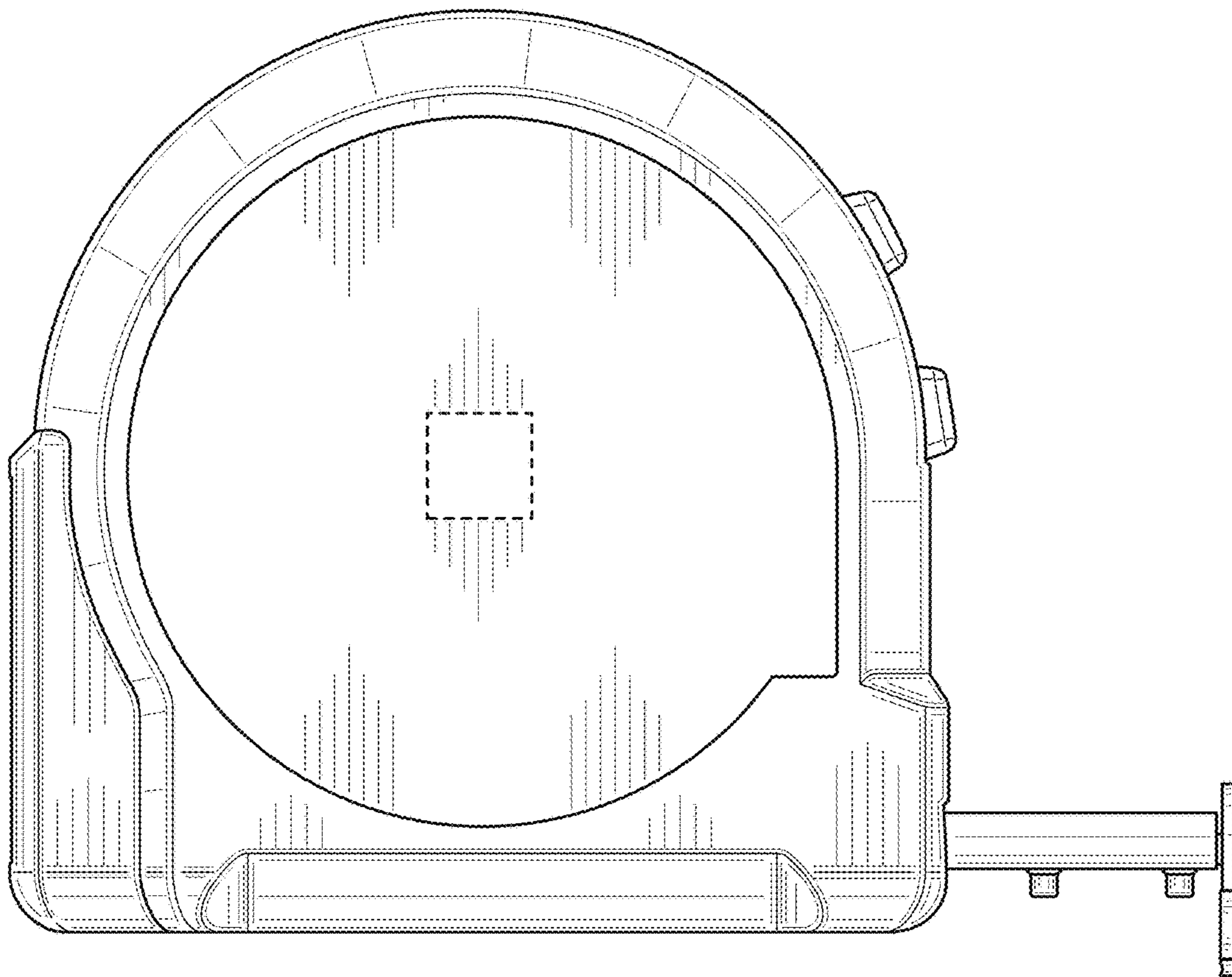


FIG. 2

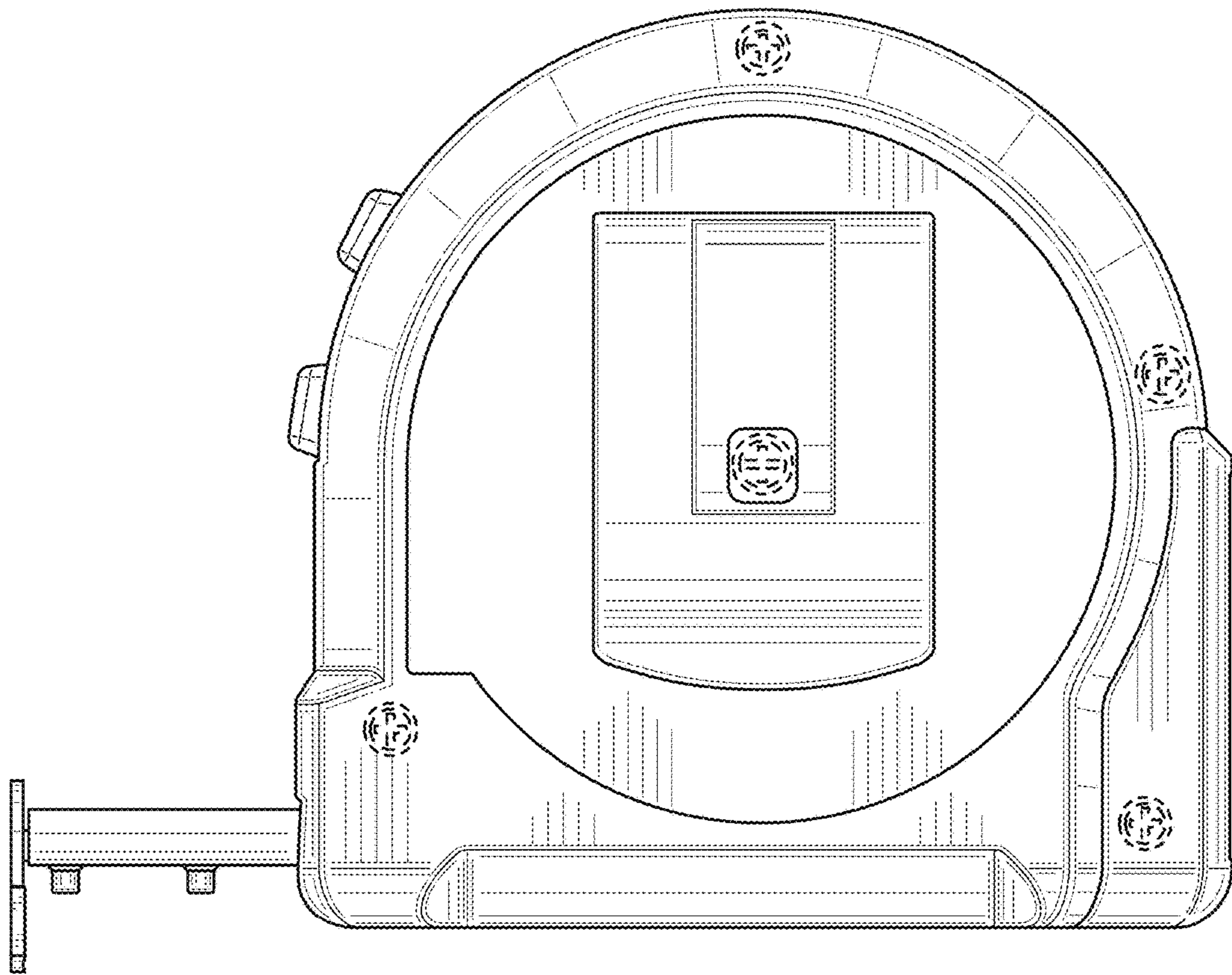


FIG. 3

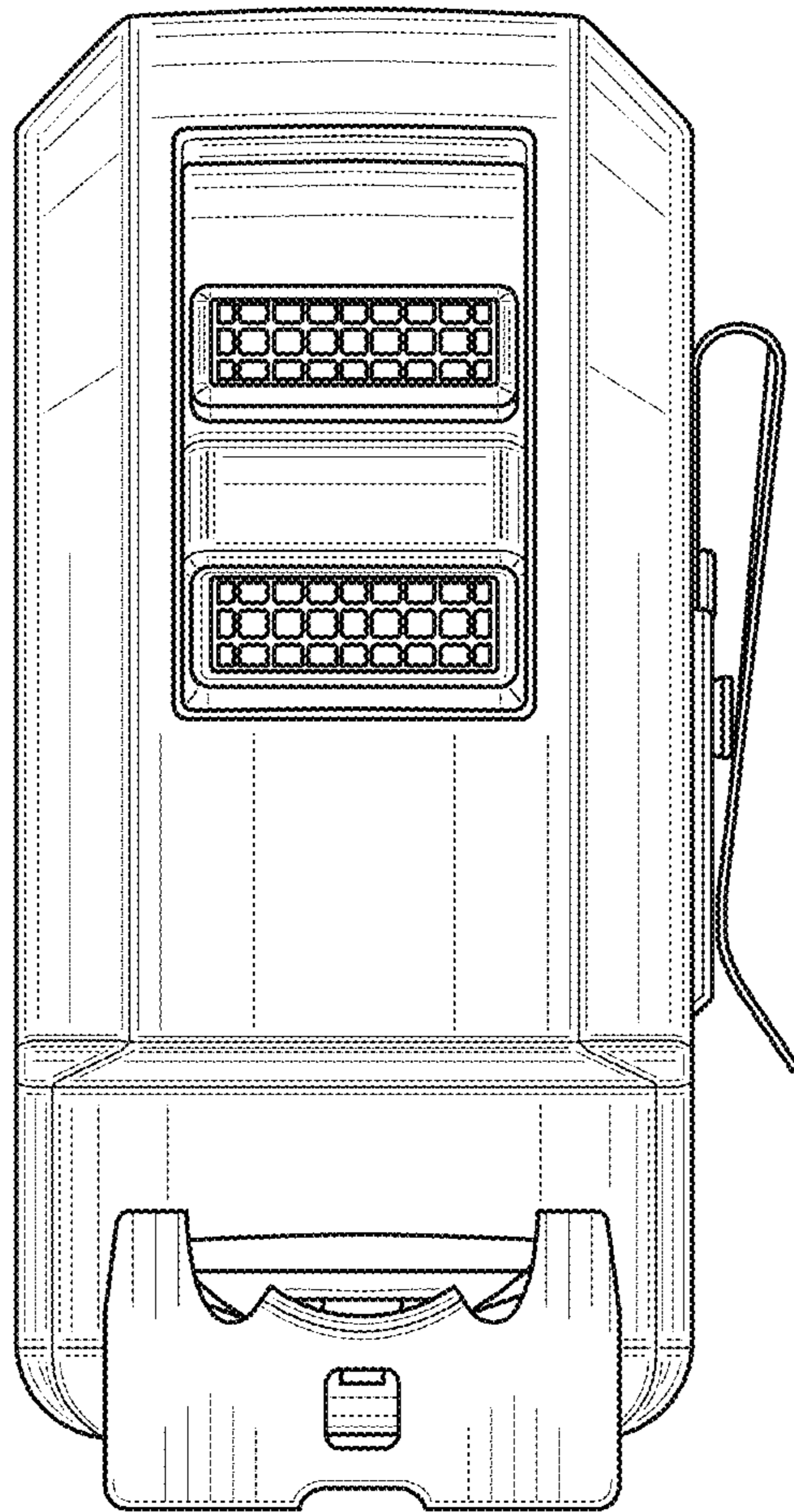


FIG. 4

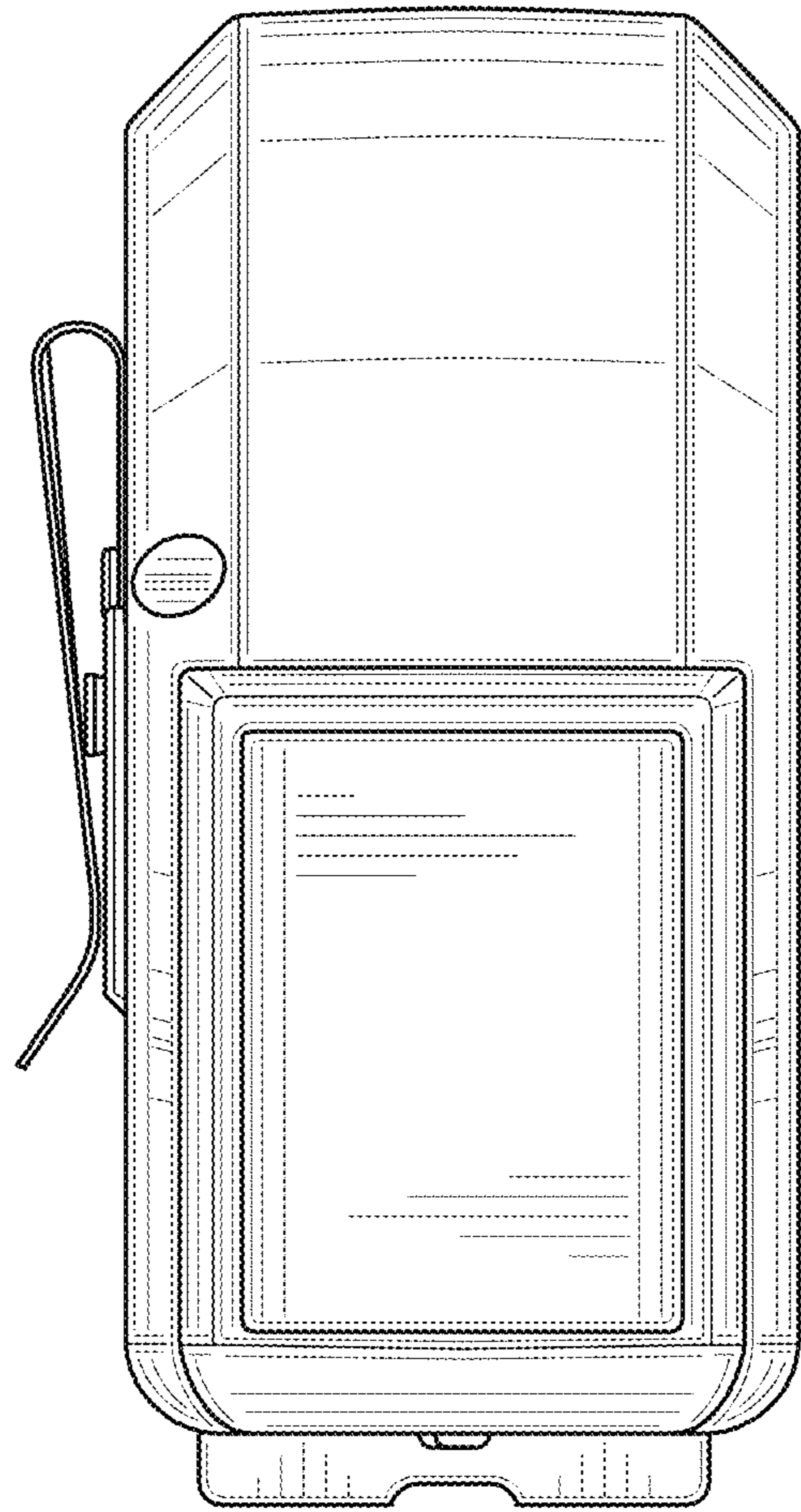


FIG. 5

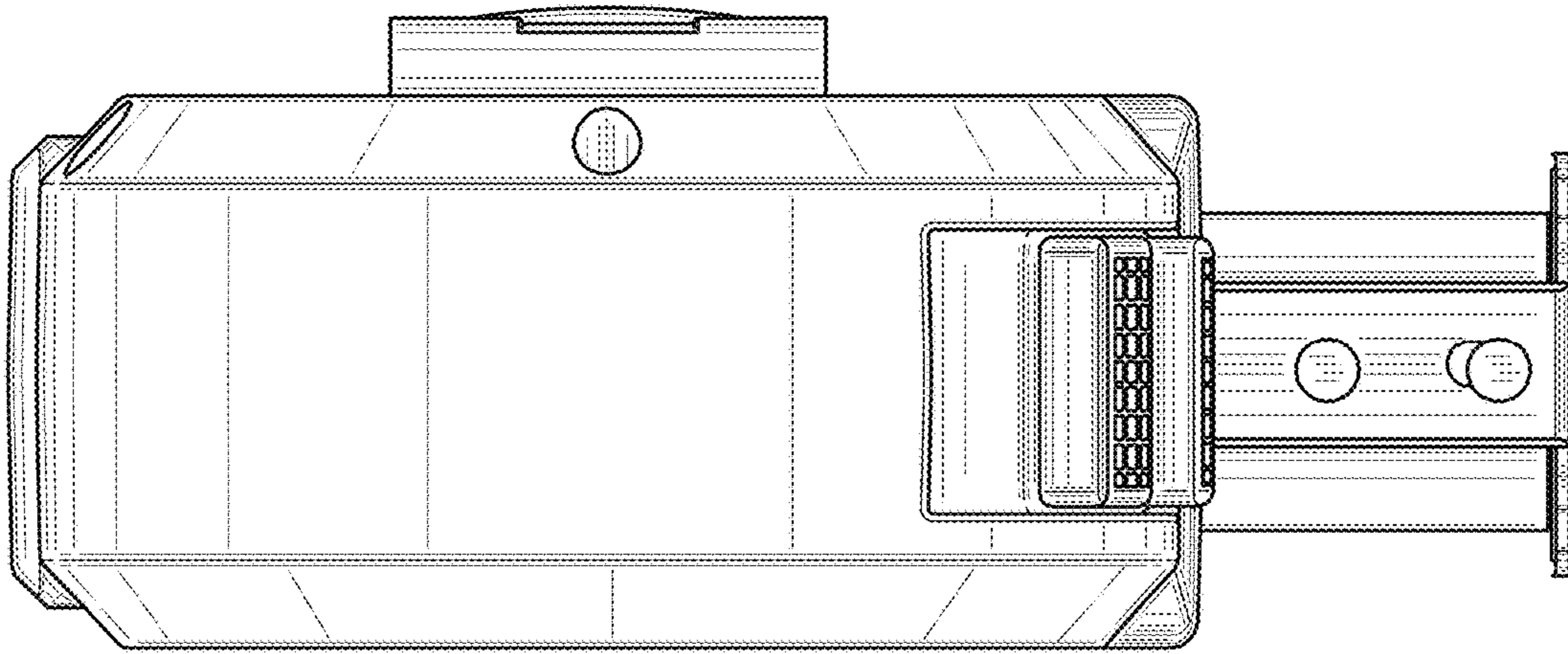


FIG. 6

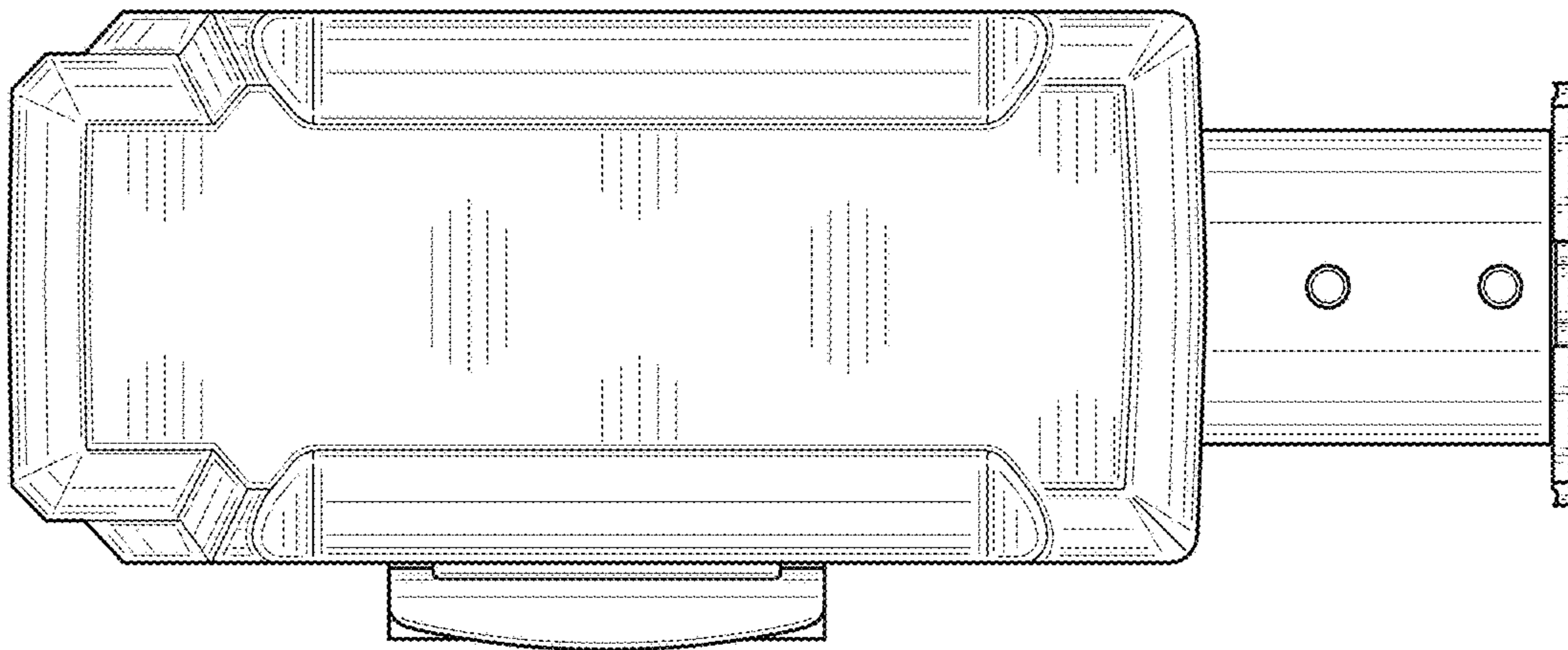


FIG. 7