



US00D785472S

(12) **United States Design Patent**
Jack

(10) **Patent No.:** **US D785,472 S**

(45) **Date of Patent:** **** May 2, 2017**

(54) **SEWING RULER**

(71) Applicant: **Rhona Jack**, Tobago (IT)

(72) Inventor: **Rhona Jack**, Tobago (IT)

(**) Term: **15 Years**

(21) Appl. No.: **29/546,066**

(22) Filed: **Nov. 18, 2015**

(51) **LOC (10) Cl.** **10-04**

(52) **U.S. Cl.**
USPC **D10/64; D10/71**

(58) **Field of Classification Search**

USPC D10/64, 65, 71
CPC D05C 7/02; D05C 11/10; D05C 13/00;
B43L 13/20; B43L 13/201; B43L 13/203;
B43L 13/205; B43L 13/206; B43L
13/208; B43L 7/005; B43L 7/027; G01B
3/14; B25H 7/02; D05B 97/12
See application file for complete search history.

(56) **References Cited**

U.S. PATENT DOCUMENTS

2,715,774 A * 8/1955 Shepherd G01B 3/14
33/1 C
4,211,010 A * 7/1980 Burke A41H 3/002
33/11

5,222,303 A * 6/1993 Jardine G01B 3/02
33/528
6,317,993 B1 * 11/2001 Loyd B23K 37/0536
33/412

* cited by examiner

Primary Examiner — Antoine D Davis

(74) *Attorney, Agent, or Firm* — James M. Smedley LLC;
James Michael Smedley, Esq.

(57) **CLAIM**

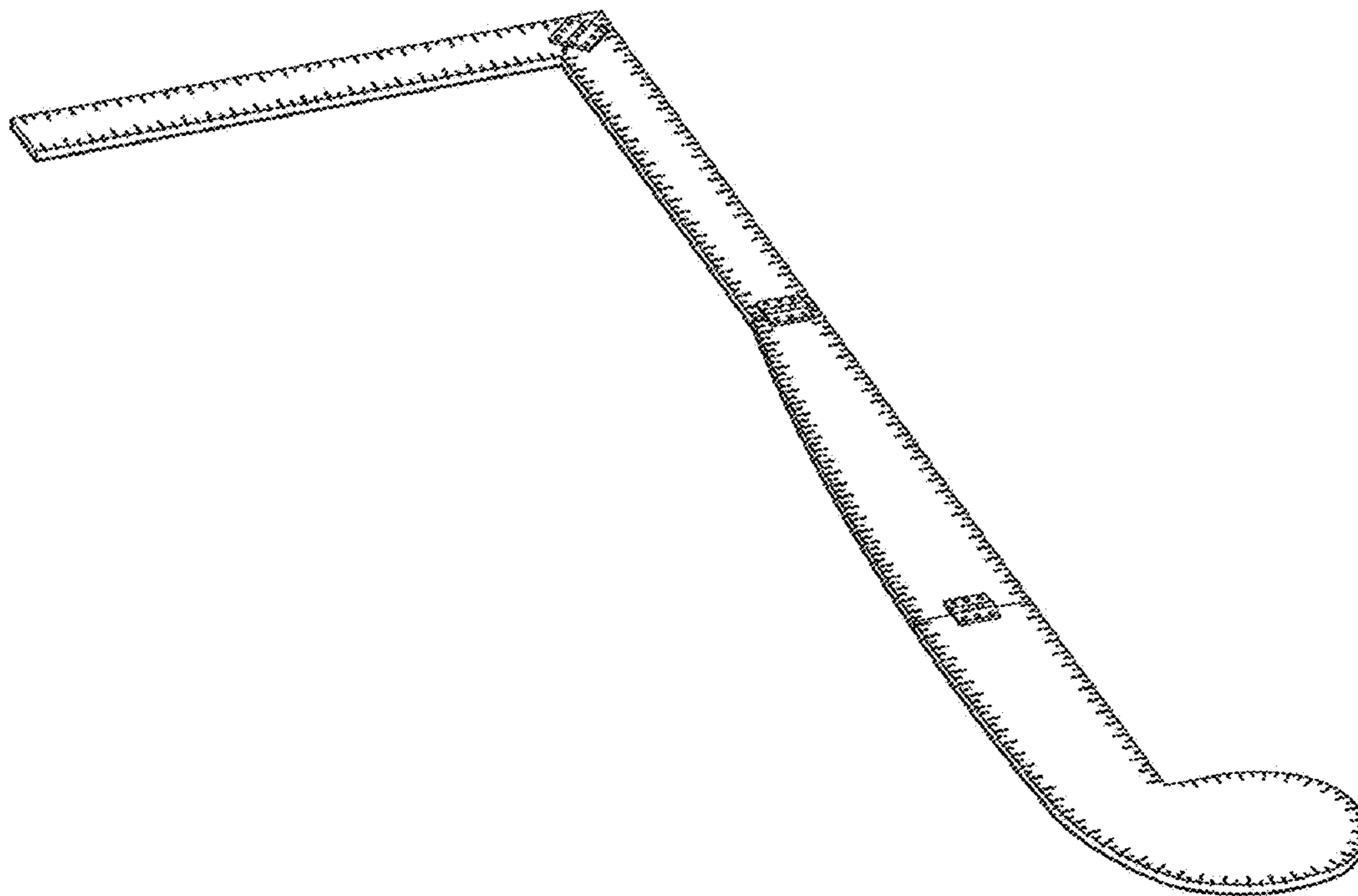
I claim the ornamental design for a sewing ruler, as shown
and described.

DESCRIPTION

FIG. 1 is a perspective view showing my new design.
FIG. 2 is a front view thereof;
FIG. 3 is a top perspective view thereof;
FIG. 4 is a rear view thereof;
FIG. 5 is a side view thereof;
FIG. 6 is a top elevation view thereof;
FIG. 7 is a bottom elevation view thereof;
FIG. 8 is a right elevation view thereof;
FIG. 9 is a left elevation view thereof; and,
FIG. 10 is an exploded view thereof.

The shading lines shown in the drawings represent the
approximate three-dimensional contour of the design, and
are not intended to indicate surface decoration.

1 Claim, 6 Drawing Sheets



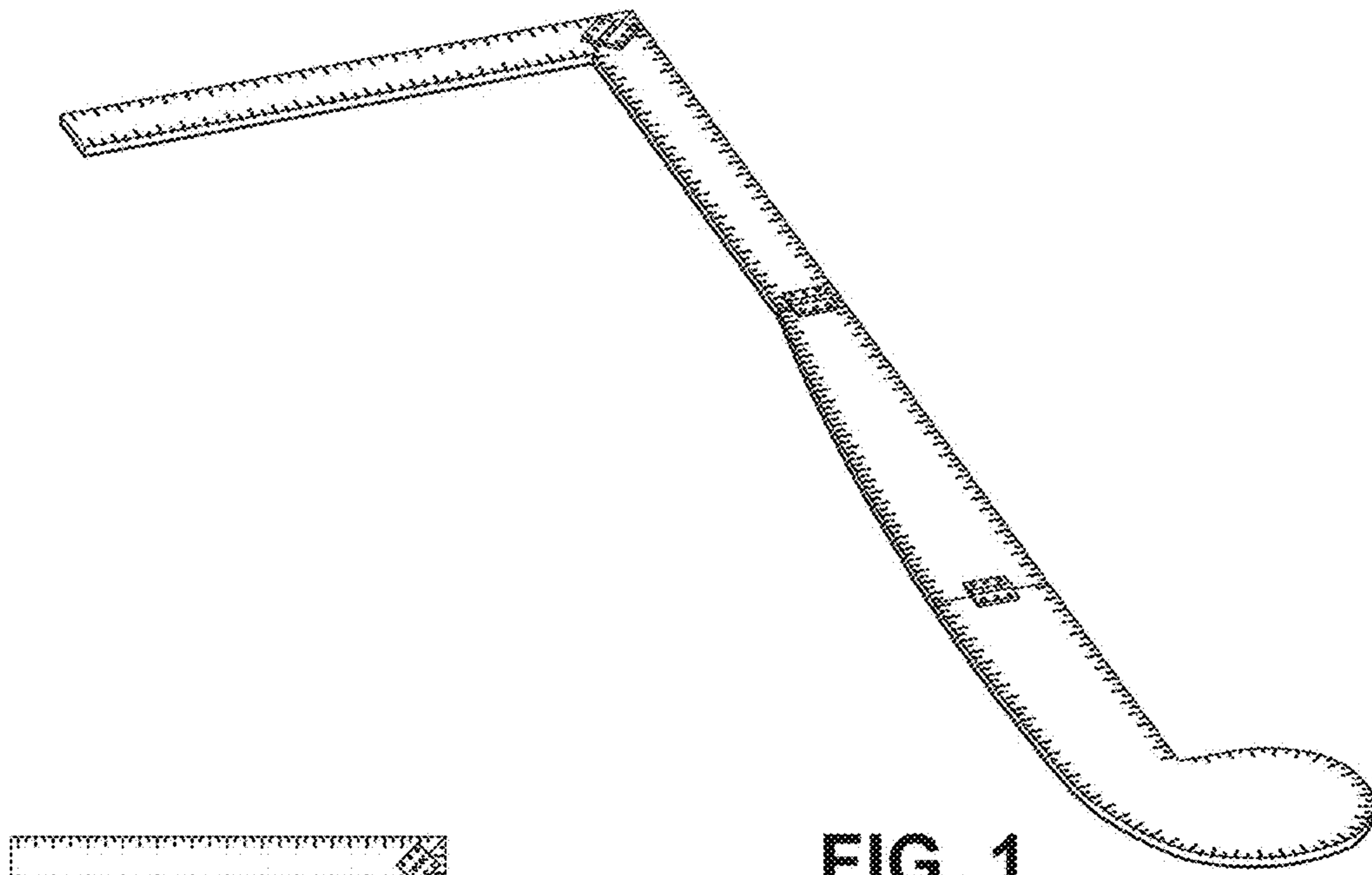


FIG. 1

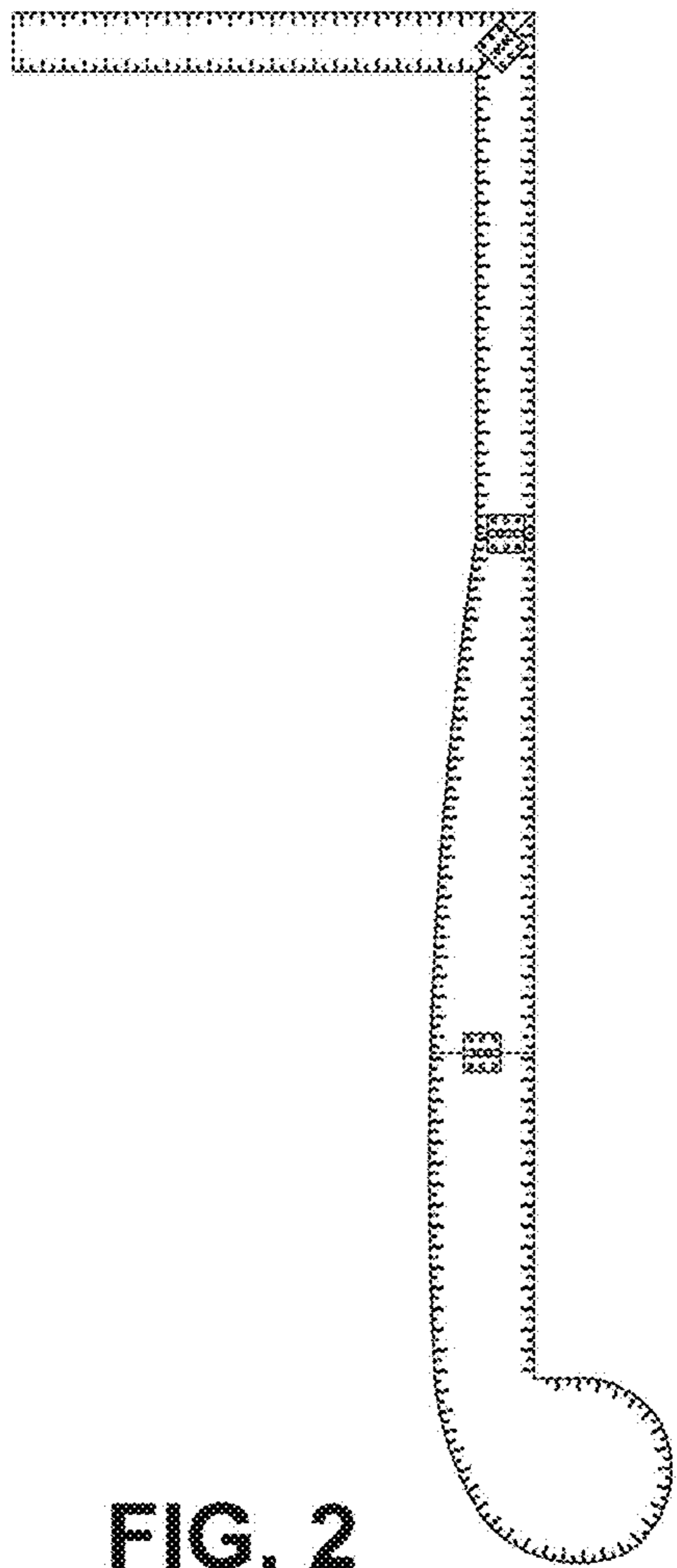


FIG. 2

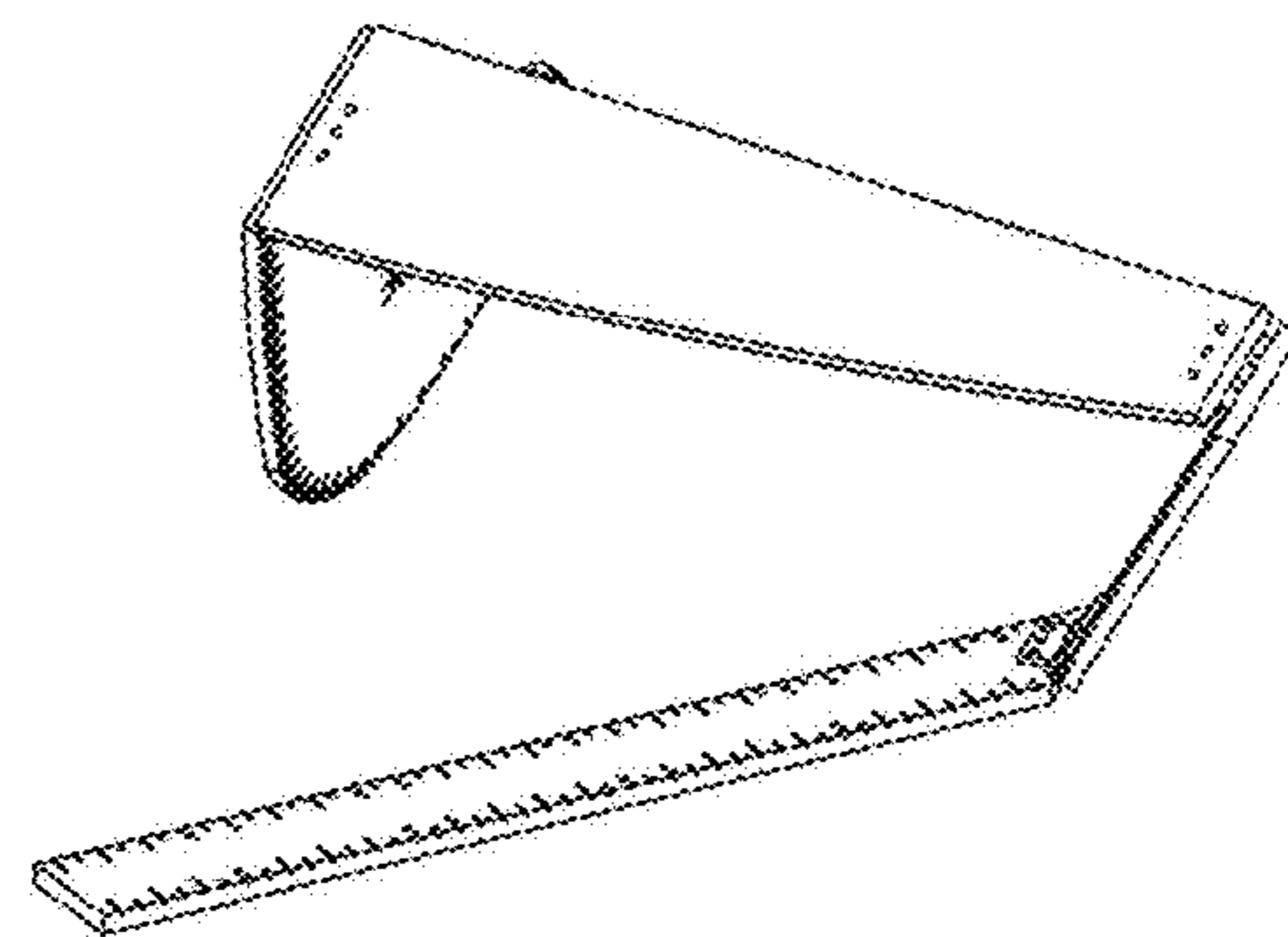


FIG. 3

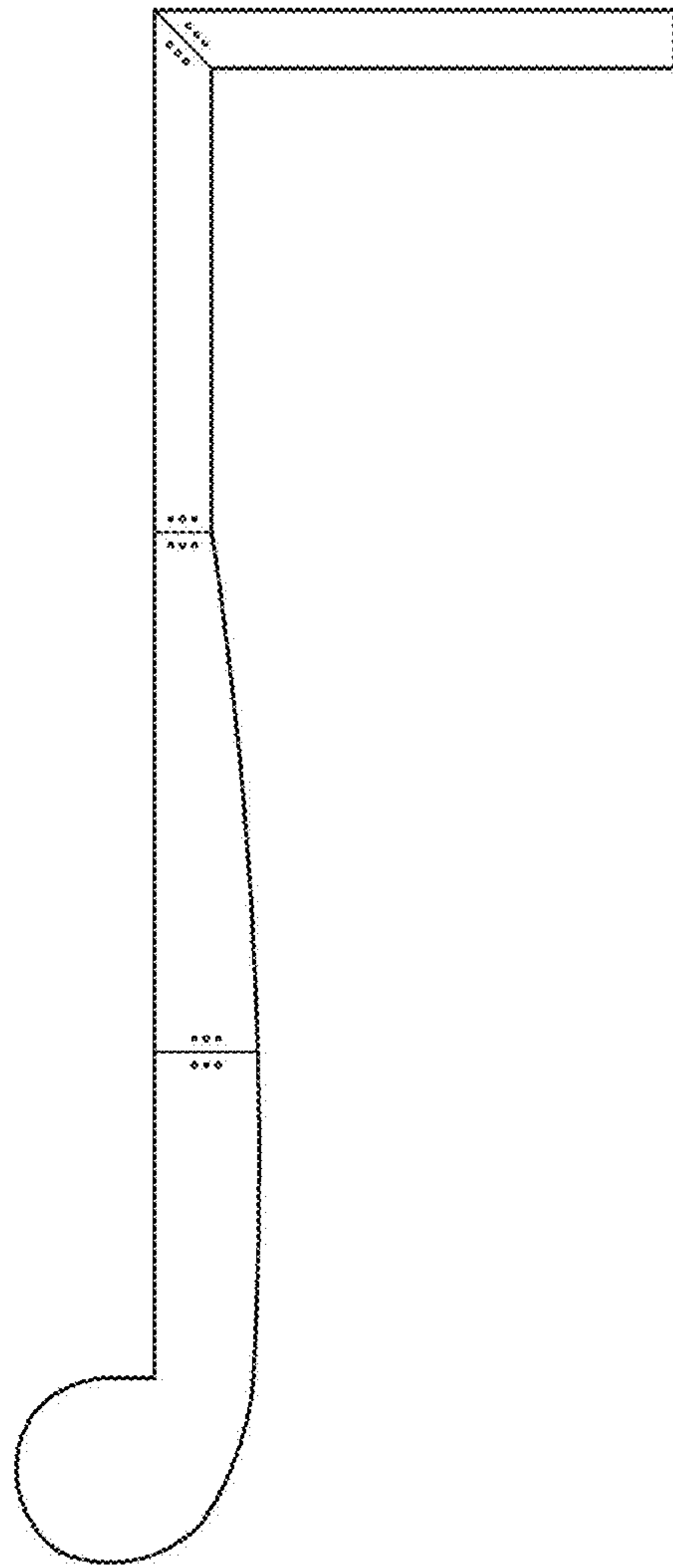


FIG. 4



FIG. 5

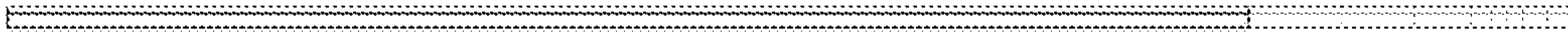


FIG. 6



FIG. 7



FIG. 8

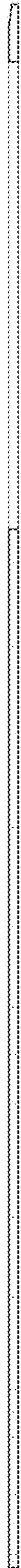


FIG. 9

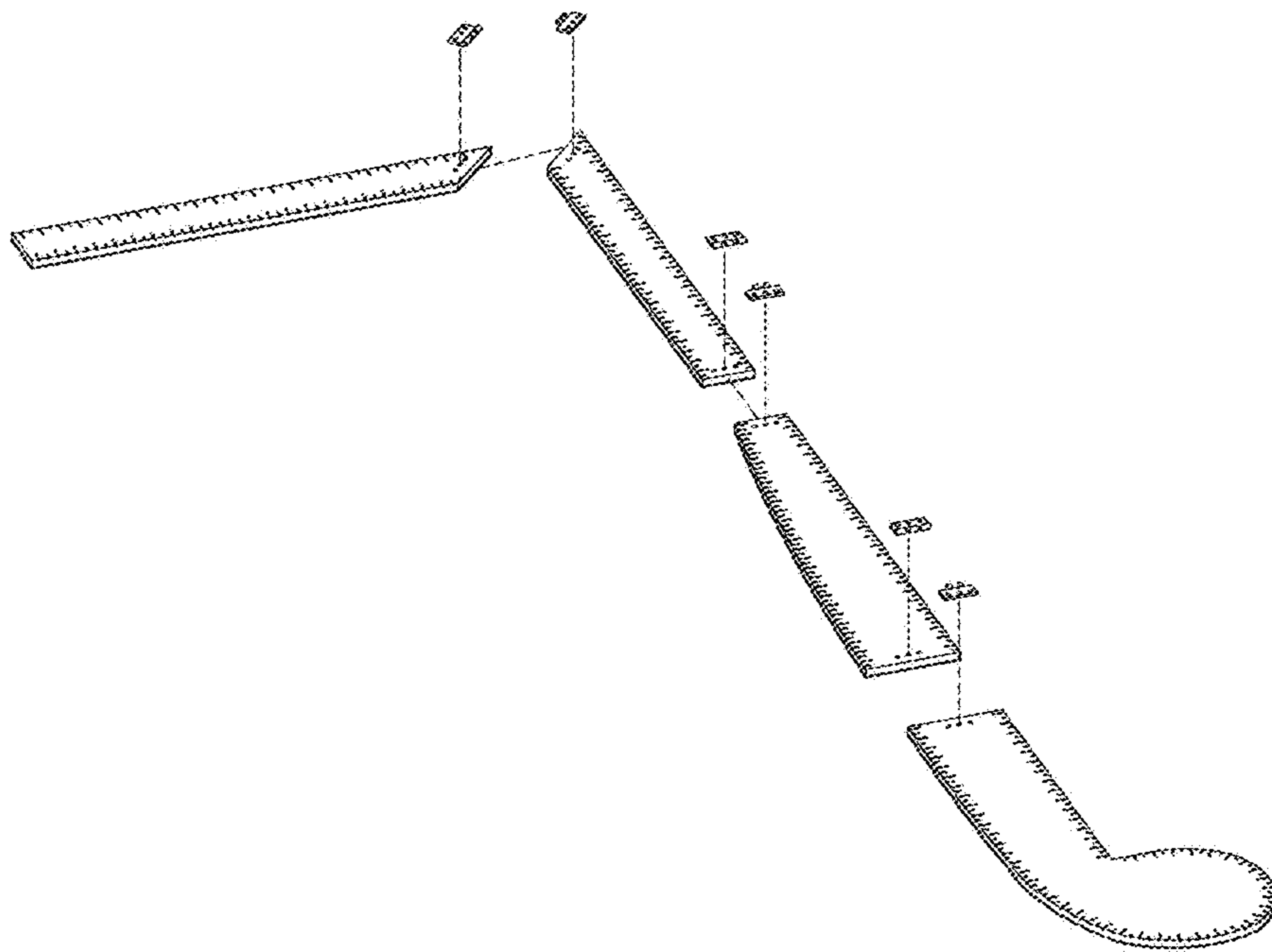


FIG. 10