



US00D785471S

(12) **United States Design Patent** (10) **Patent No.:** **US D785,471 S**  
**Rogers et al.** (45) **Date of Patent:** **\*\* May 2, 2017**

- (54) **MODULAR TIMER AND COVER**
- (71) Applicant: **Time Timer LLC**, Cincinnati, OH (US)
- (72) Inventors: **Janice L. Rogers**, Cincinnati, OH (US);  
**David M. Rogers**, Cincinnati, OH (US);  
**Tricia L. Wright**, San Francisco, CA (US)
- (73) Assignee: **Time Timer LLC**, Cincinnati, OH (US)
- (\*\*) Term: **15 Years**
- (21) Appl. No.: **29/576,981**
- (22) Filed: **Sep. 8, 2016**

- D89,168 S \* 2/1933 Carlson ..... D10/26
- 2,011,517 A 8/1935 Geoffrion
- D100,403 S \* 7/1936 Worms ..... D10/21
- 2,255,188 A 9/1941 Rieper
- D161,338 S 12/1950 Hobby
- D171,970 S 4/1954 Duncan
- 2,816,373 A 12/1957 Caddy

(Continued)

*Primary Examiner* — Susan Bennett Hattan  
*Assistant Examiner* — Jennifer Wright  
(74) *Attorney, Agent, or Firm* — Wood, Herron & Evans, LLP

(57) **CLAIM**

The ornamental design for a modular timer and cover, as shown and described.

**DESCRIPTION**

FIG. 1 is a perspective view of one embodiment of a modular timer illustrating our new design; FIG. 2 is a rear perspective view thereof; FIG. 3 is a front view thereof; FIG. 4 is a right side view thereof, the left side being a mirror image thereof; FIG. 5 is a rear view thereof; FIG. 6 is a top view thereof; FIG. 7 is a bottom view thereof; FIG. 8 is a perspective view of the modular timer of FIG. 1 with a cover illustrating our new design; FIG. 9 is a rear perspective view thereof; FIG. 10 is a front view thereof; FIG. 11 is a right side view thereof, the left side being a mirror image thereof; FIG. 12 is a rear view thereof; FIG. 13 is a top view thereof; and, FIG. 14 is a bottom view thereof. Any elements shown in broken lines form no part of the claimed invention, and are instead included to show environmental aspects of the claimed invention.

**Related U.S. Application Data**

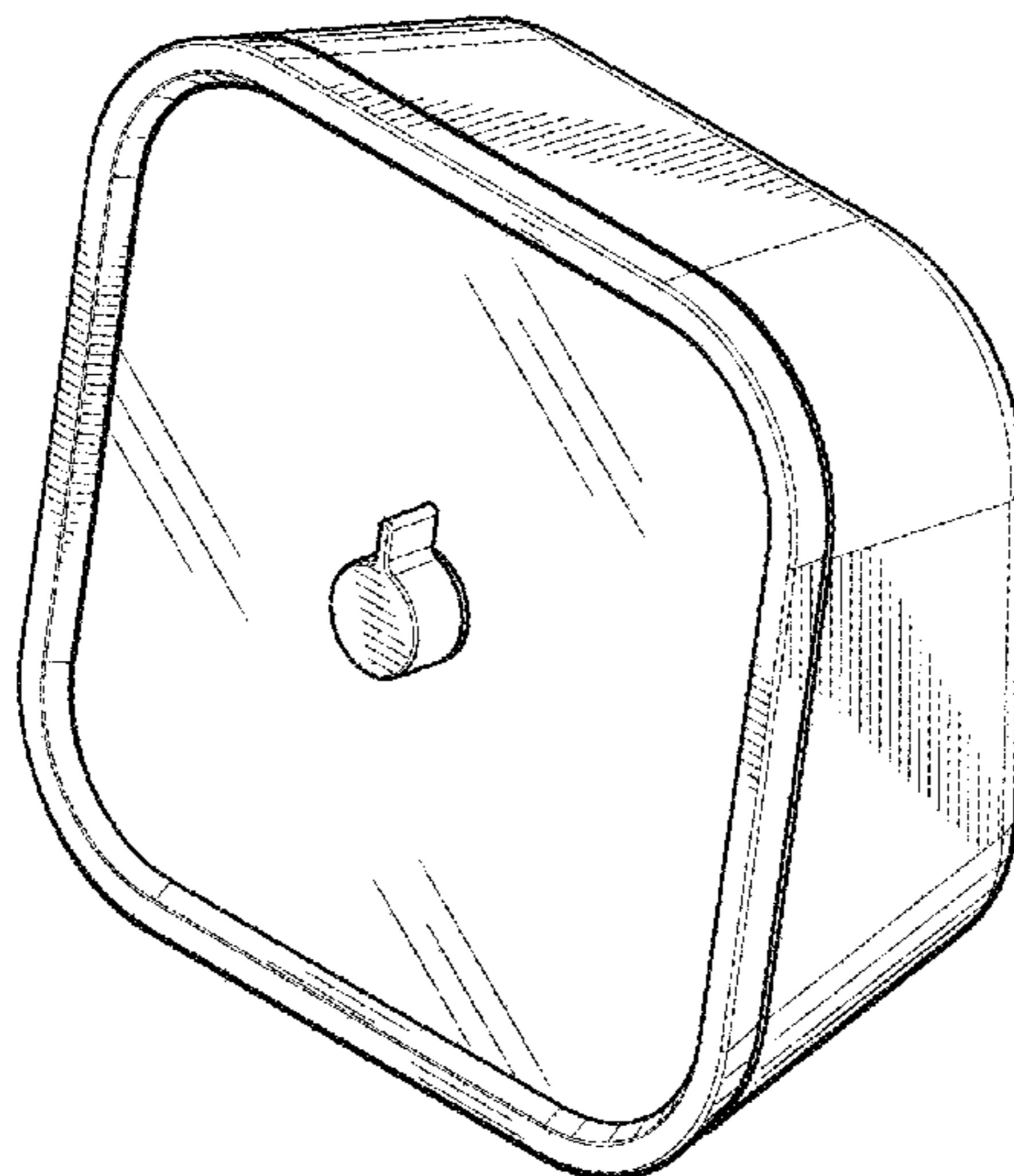
- (62) Division of application No. 29/527,000, filed on May 14, 2015, now Pat. No. Des. 770,310.
- (51) **LOC (10) Cl.** ..... **10-40**
- (52) **U.S. Cl.**  
USPC ..... **D10/40**
- (58) **Field of Classification Search**  
USPC ..... D10/30-39, 1-29, 122-132; 368/10, 368/15-18, 21, 28, 37, 80, 223, 228, 232, 368/276, 277, 281, 282, 285, 294, 295, 368/308, 319  
CPC ..... G04B 17/00; G04B 17/02; G04B 17/005; G04B 17/285; G04B 37/00; G04B 37/0008; G04B 37/0058; G04B 45/00; G04B 45/038; G04B 45/0069; G04B 45/0076; G04B 45/02; G04B 29/00  
See application file for complete search history.

(56) **References Cited**

**U.S. PATENT DOCUMENTS**

- 680,018 A 8/1901 Brake
- 776,297 A 11/1904 Cordeiro
- D43,733 S 3/1913 Buckland
- D83,253 S \* 2/1931 Gatesy ..... D10/15

**1 Claim, 6 Drawing Sheets**



(56)

References Cited

U.S. PATENT DOCUMENTS

3,088,270 A 5/1963 King et al.  
 3,254,927 A \* 6/1966 Harvey ..... A47B 81/067  
 206/309  
 D208,930 S 10/1967 Johnson et al.  
 D215,951 S 11/1969 Arato et al.  
 3,508,350 A 4/1970 Genin  
 D218,344 S 8/1970 Baumann  
 3,608,214 A 9/1971 Rancati  
 3,668,858 A 6/1972 Hartwig  
 D226,786 S \* 4/1973 Bolling ..... D19/78  
 3,771,246 A \* 11/1973 Ebner ..... A47G 1/14  
 40/720  
 3,803,831 A 4/1974 Horzick  
 D255,101 S \* 5/1980 Booty ..... D10/15  
 D260,375 S 8/1981 Kane et al.  
 4,368,045 A 1/1983 Kuh  
 D268,686 S 4/1983 Wolf  
 D271,567 S 11/1983 Powell  
 4,449,833 A \* 5/1984 Montgomery,  
 IV ..... G04B 37/0066  
 368/262  
 D274,191 S \* 6/1984 Aoijs ..... D10/15  
 D277,556 S \* 2/1985 Pappas ..... D10/15  
 4,530,607 A 7/1985 Bungener  
 D287,699 S 1/1987 Morris  
 4,659,233 A 4/1987 Nakamura et al.  
 D298,609 S 11/1988 Dawson, Jr.

4,885,731 A 12/1989 Massaro  
 4,945,522 A 7/1990 Radel  
 D316,819 S 5/1991 Odaka  
 5,044,961 A 9/1991 Bruskewitz  
 D321,141 S 10/1991 Aikawa  
 5,167,507 A 12/1992 Cobb et al.  
 D346,965 S 5/1994 Wolff  
 D347,656 S 6/1994 Bumbarger  
 D354,627 S \* 1/1995 Rowan ..... D30/101  
 D369,619 S 5/1996 Rogers  
 5,662,479 A 9/1997 Rogers  
 5,851,118 A 12/1998 Woldenberg et al.  
 D415,966 S \* 11/1999 Hargrove, III ..... D10/1  
 D416,808 S \* 11/1999 Haruta ..... D10/21  
 6,543,167 B1 \* 4/2003 Dwyer ..... A47B 21/045  
 248/442.2  
 D475,303 S \* 6/2003 Lau ..... D10/15  
 6,792,709 B1 \* 9/2004 Fine ..... A47G 1/0616  
 40/720  
 D513,024 S \* 12/2005 Christianson ..... G04D 7/009  
 D15/199  
 7,121,833 B2 10/2006 Brown et al.  
 D544,371 S \* 6/2007 Bhavnani ..... D10/15  
 D553,514 S 10/2007 Tanaka et al.  
 D583,686 S 12/2008 Forakis  
 D636,373 S \* 4/2011 Miu ..... D10/2  
 D642,078 S 7/2011 Balter et al.  
 D671,016 S 11/2012 Rogers et al.  
 D705,089 S 5/2014 Rogers et al.  
 D770,310 S \* 11/2016 Rogers ..... D10/40

\* cited by examiner

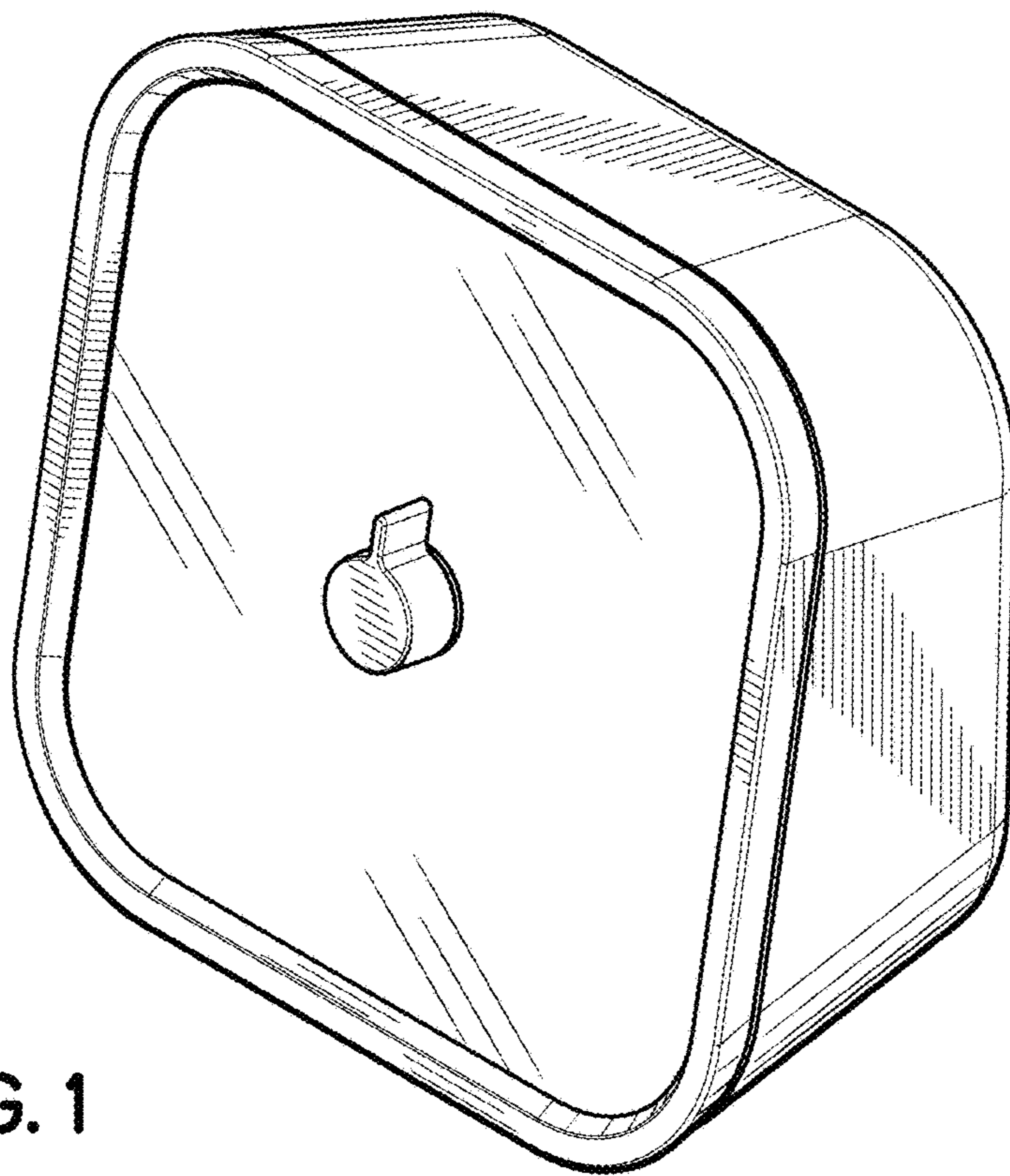


FIG. 1

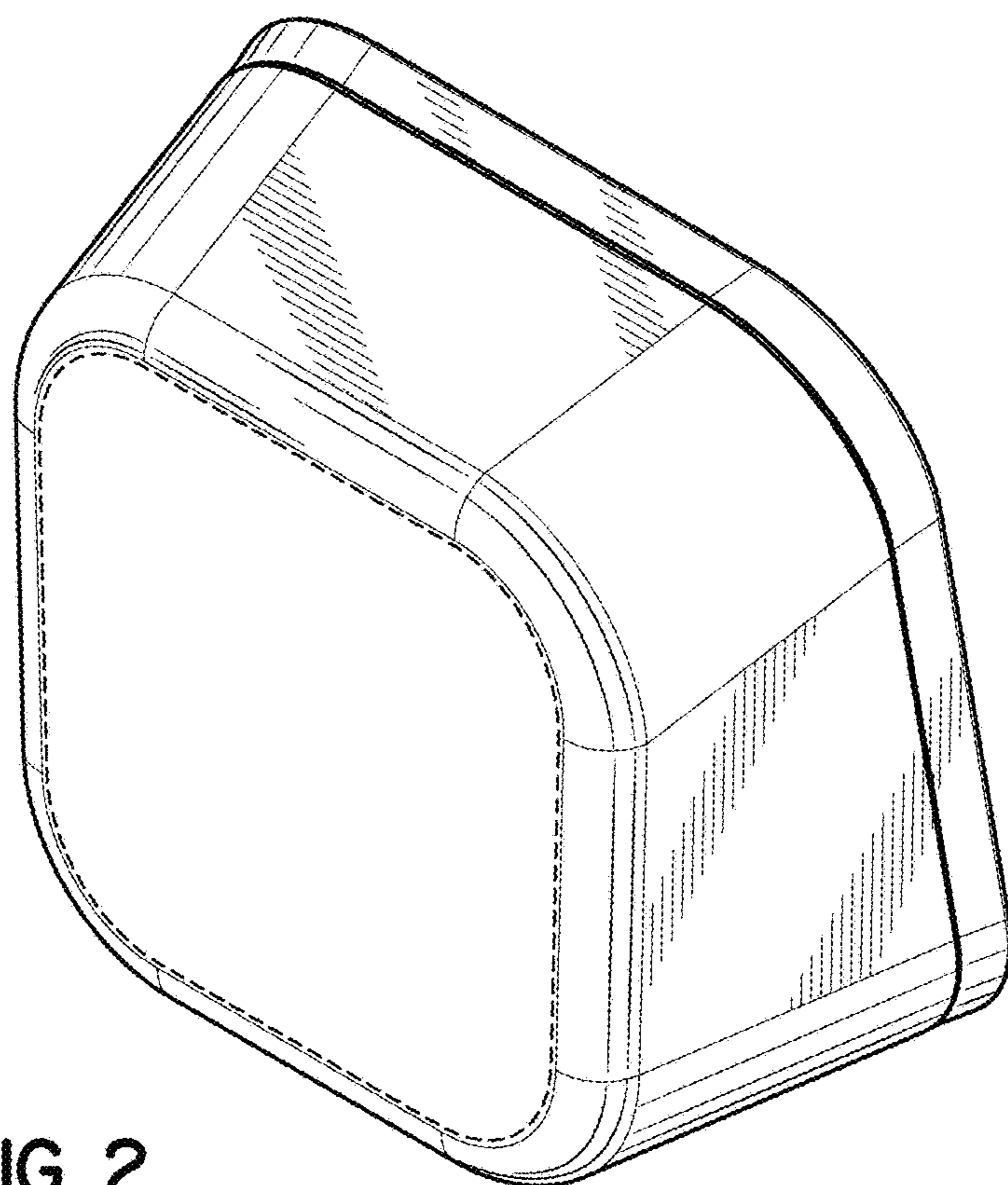


FIG. 2

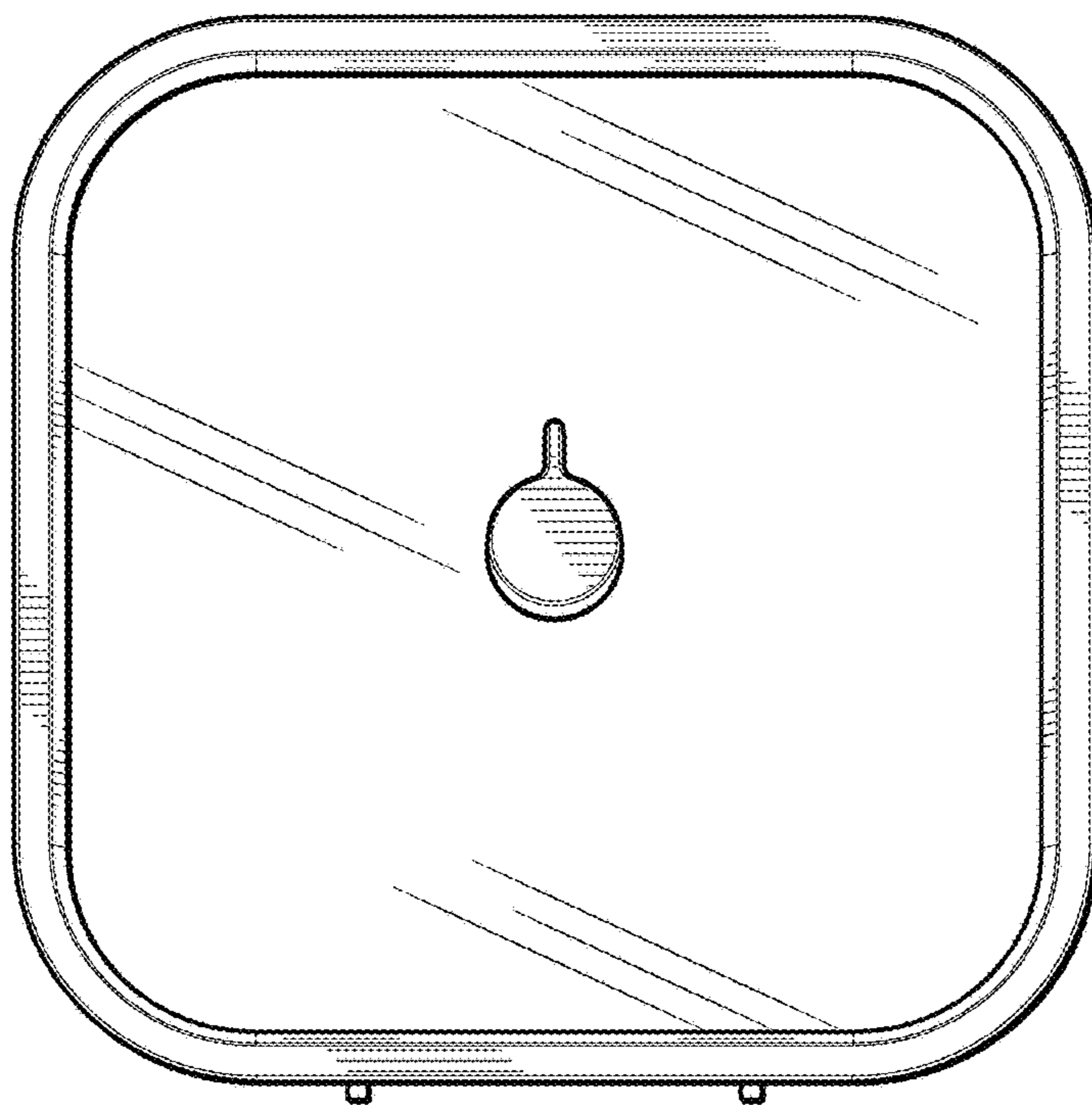


FIG. 3

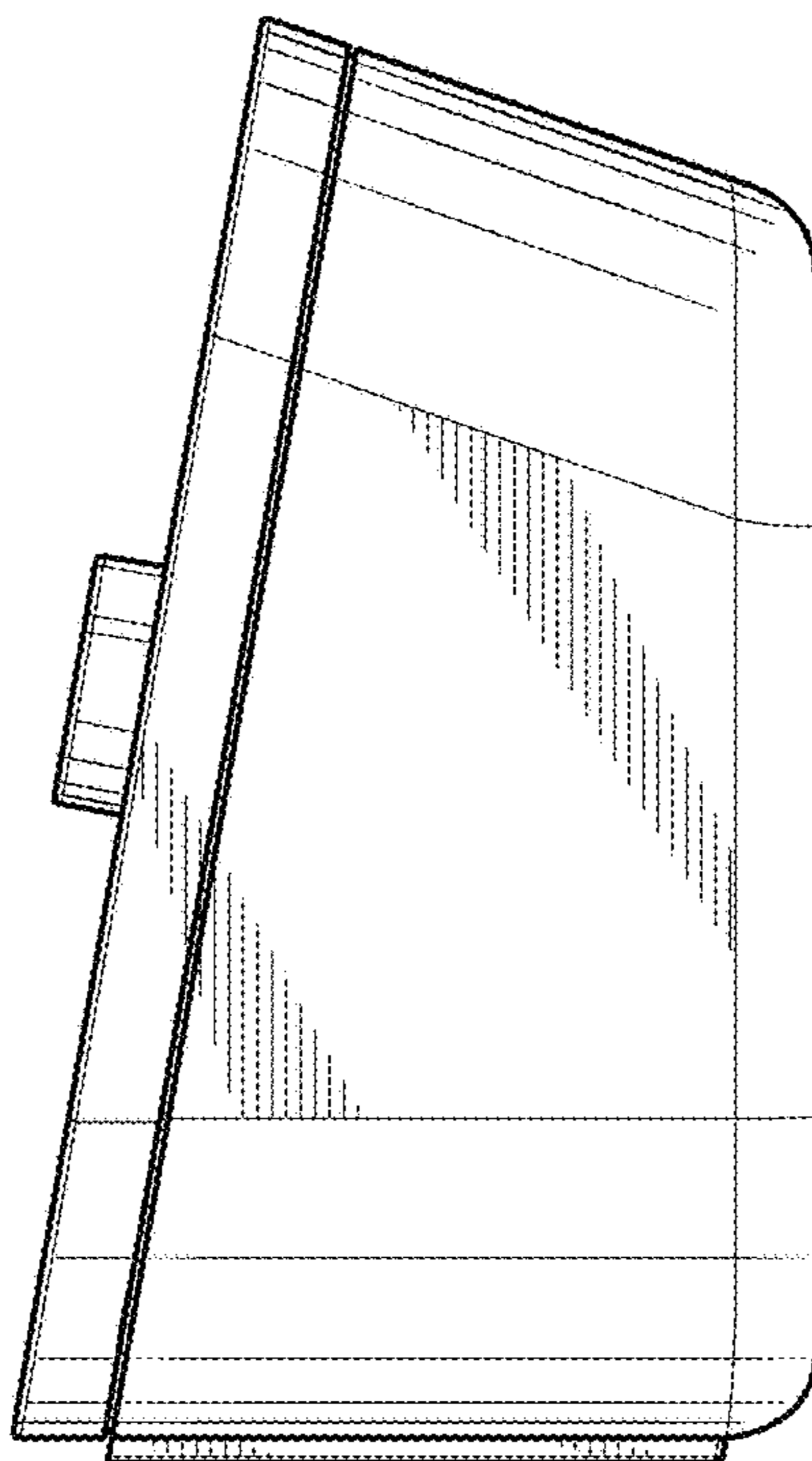


FIG. 4

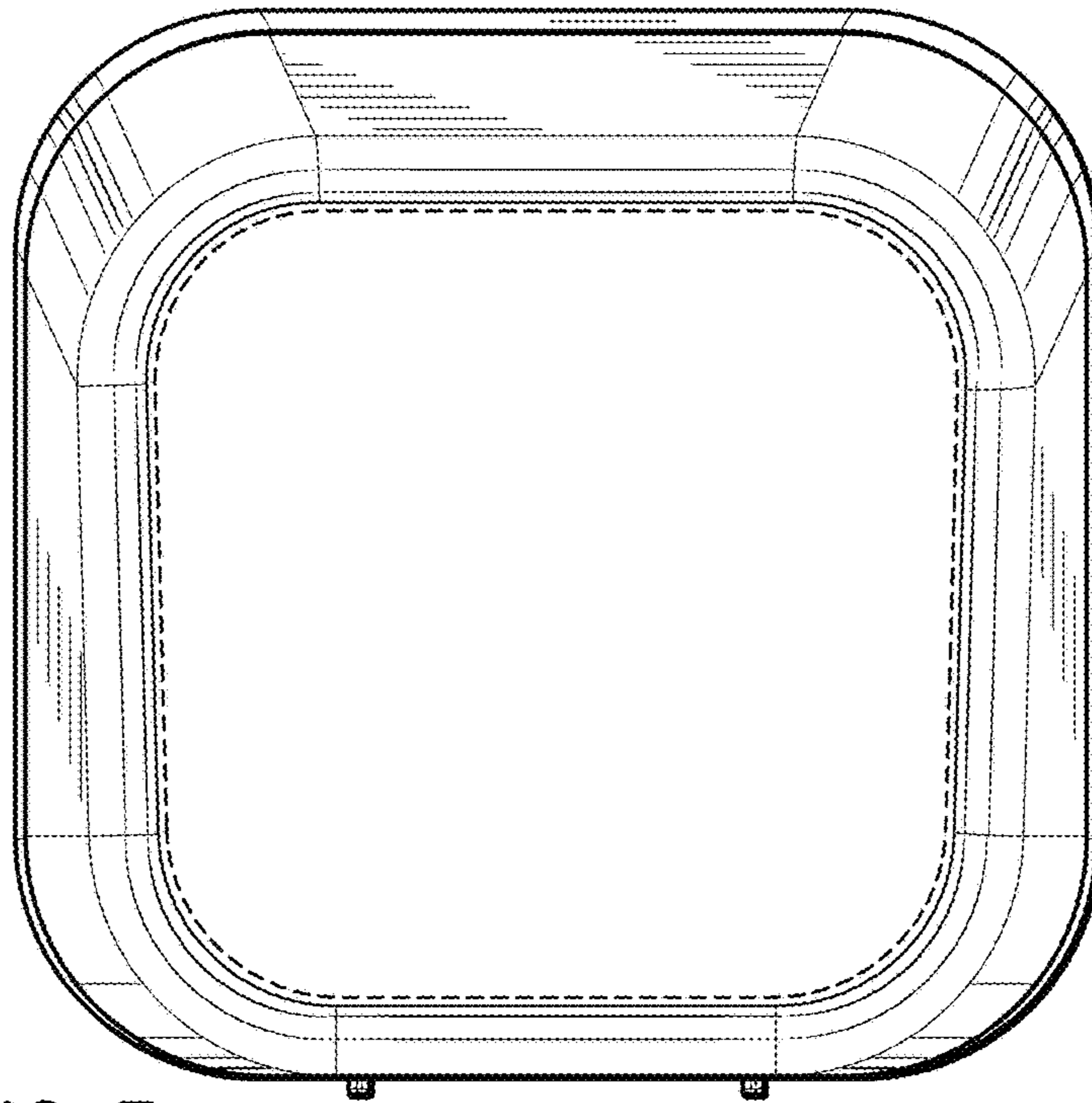


FIG. 5

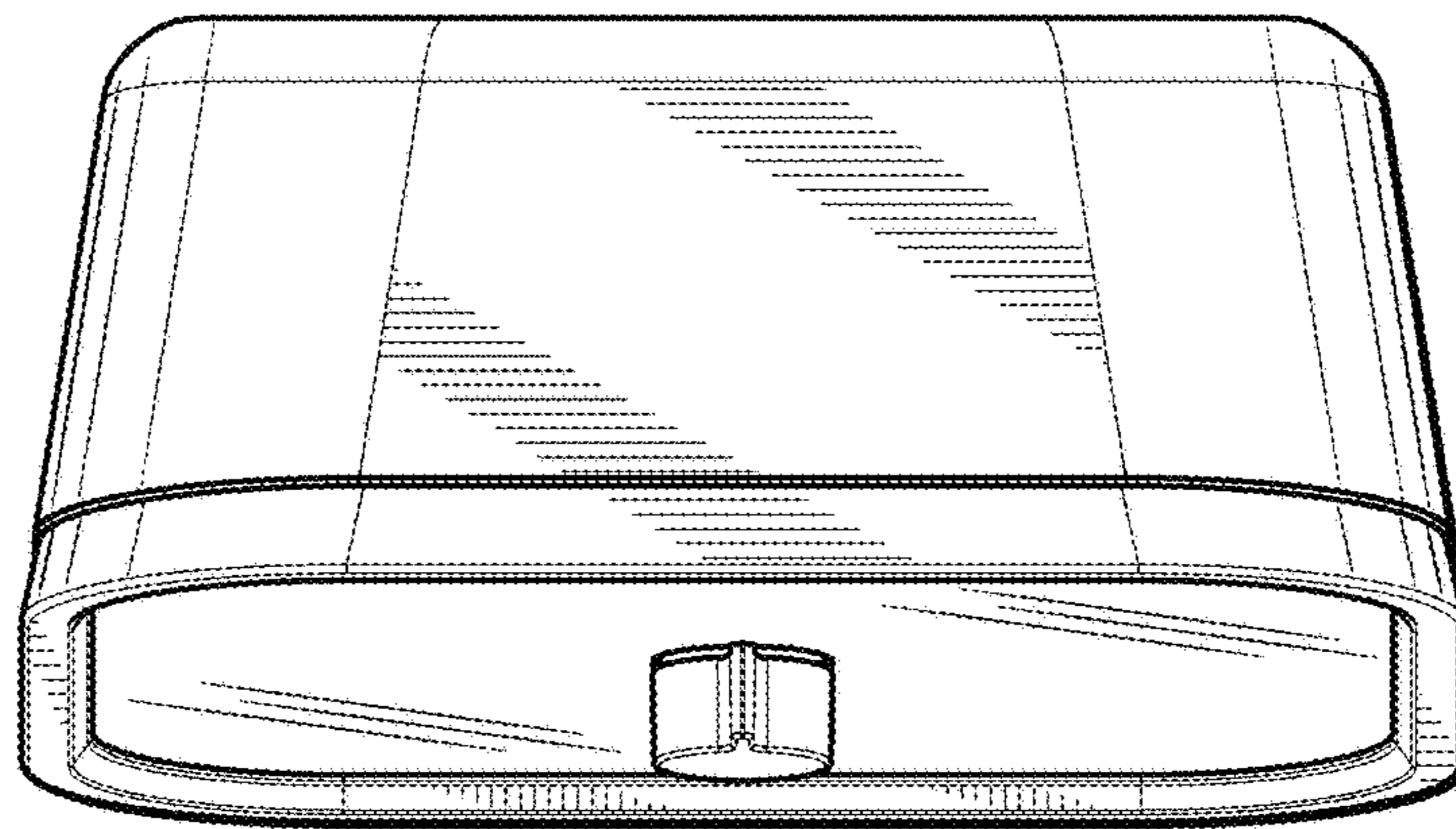


FIG. 6

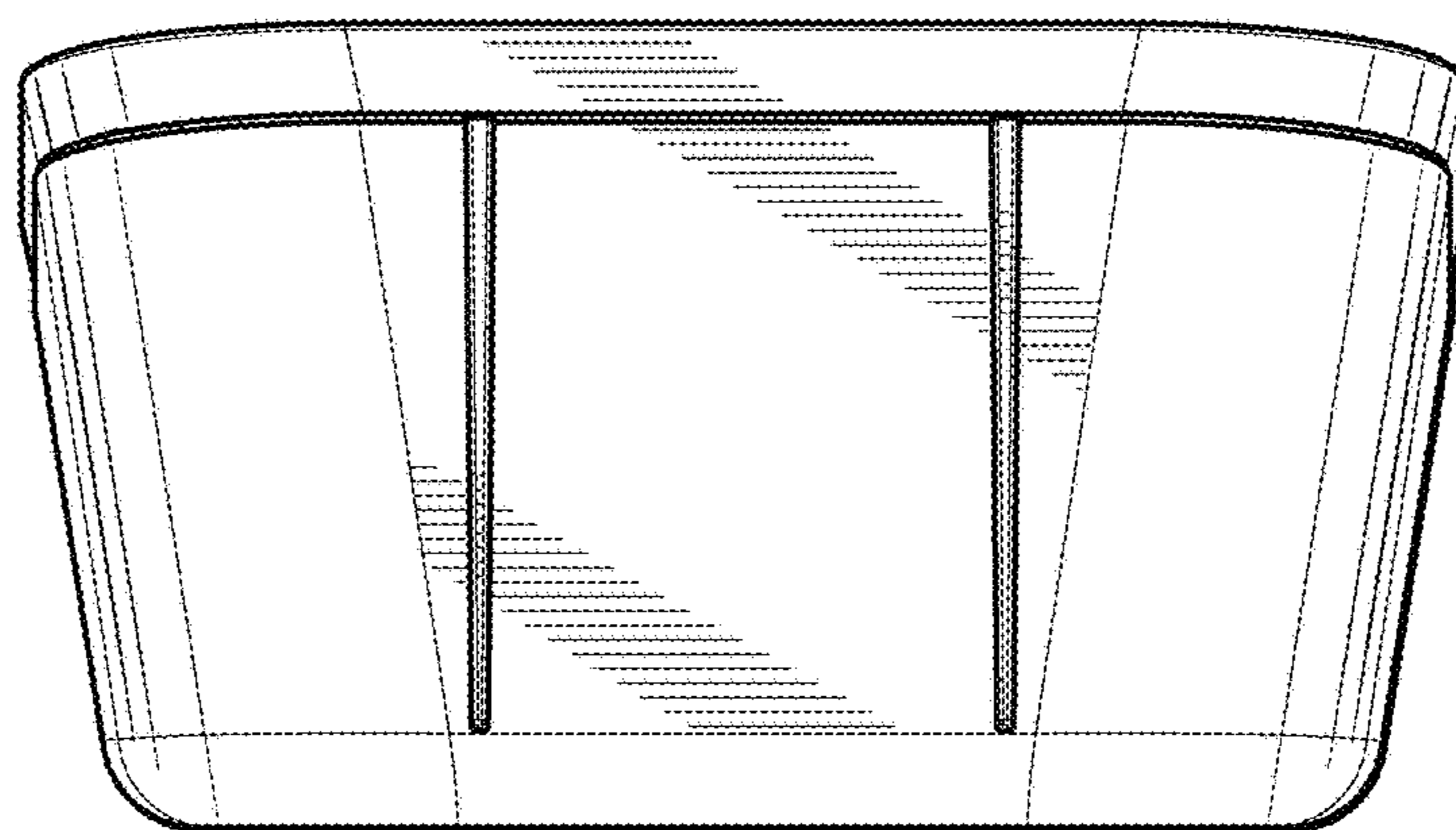


FIG. 7

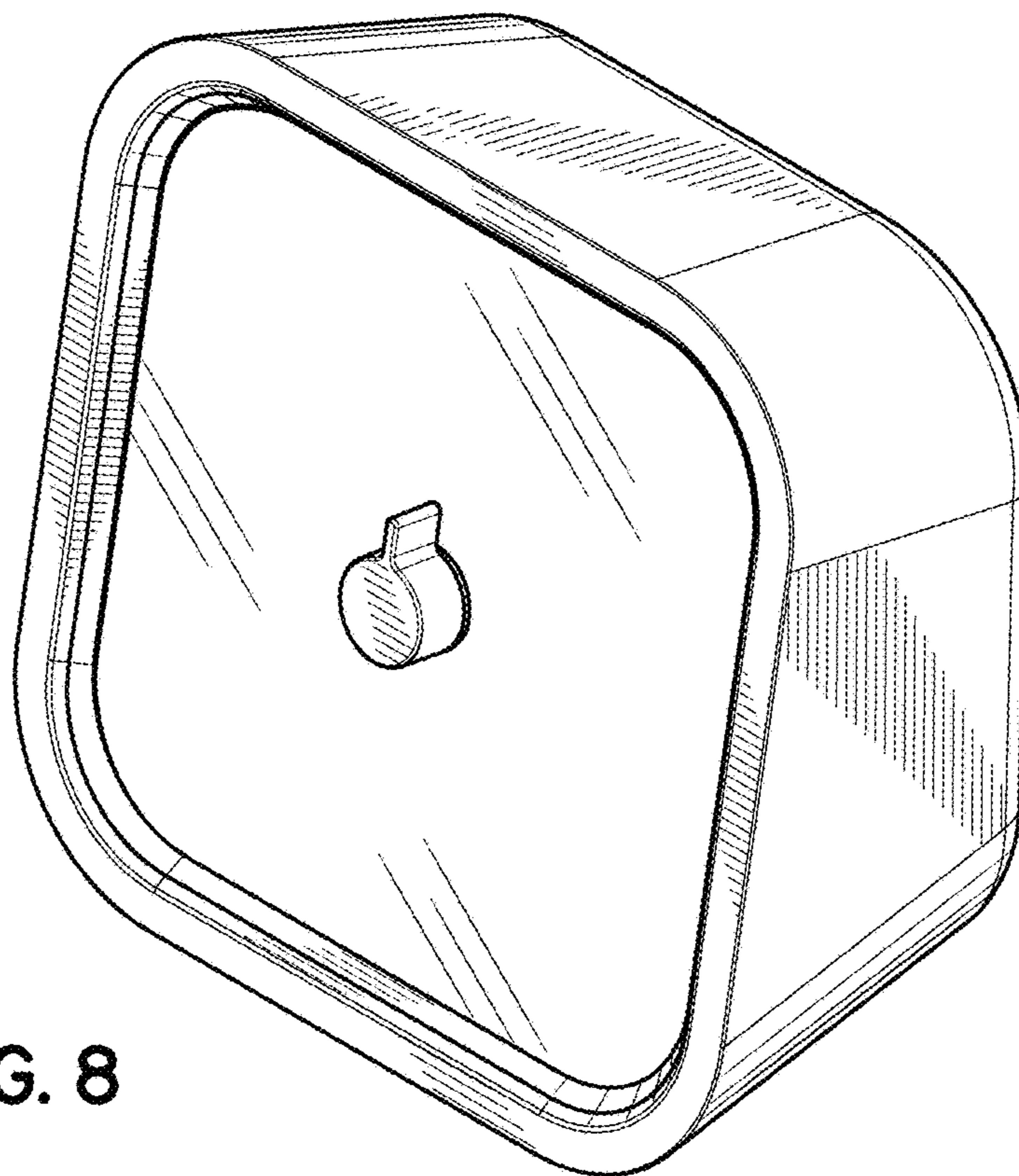


FIG. 8

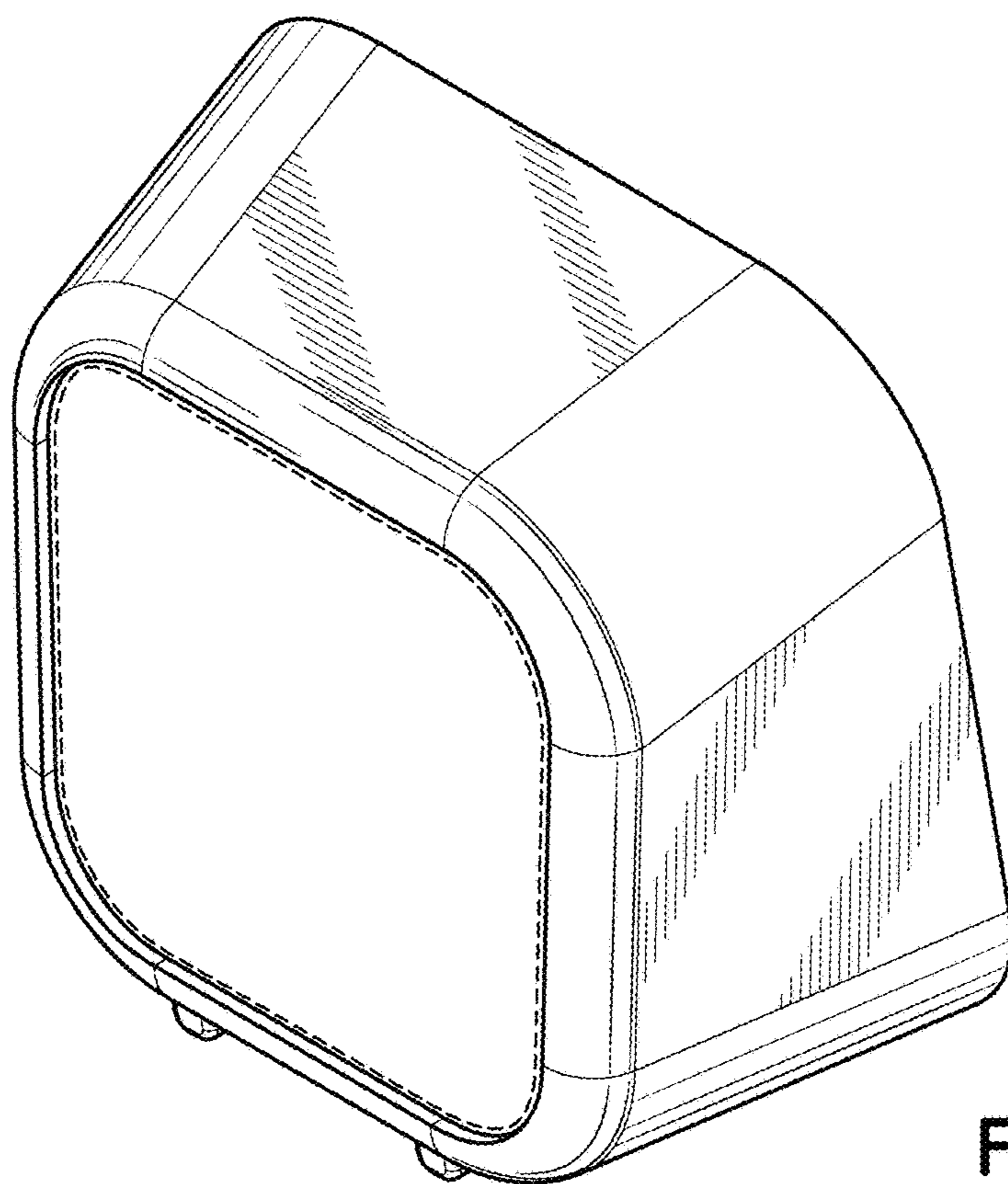


FIG. 9

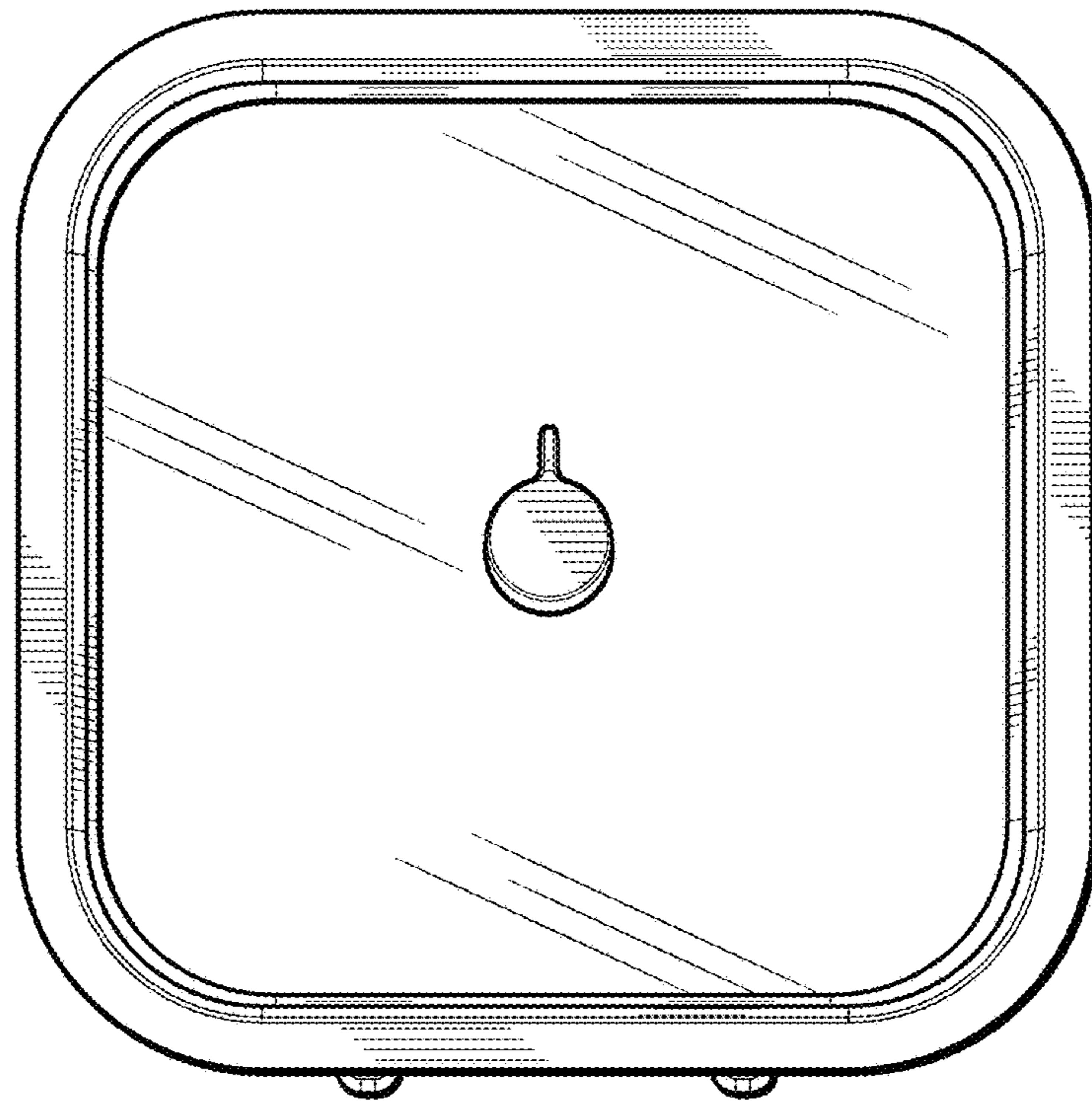


FIG. 10

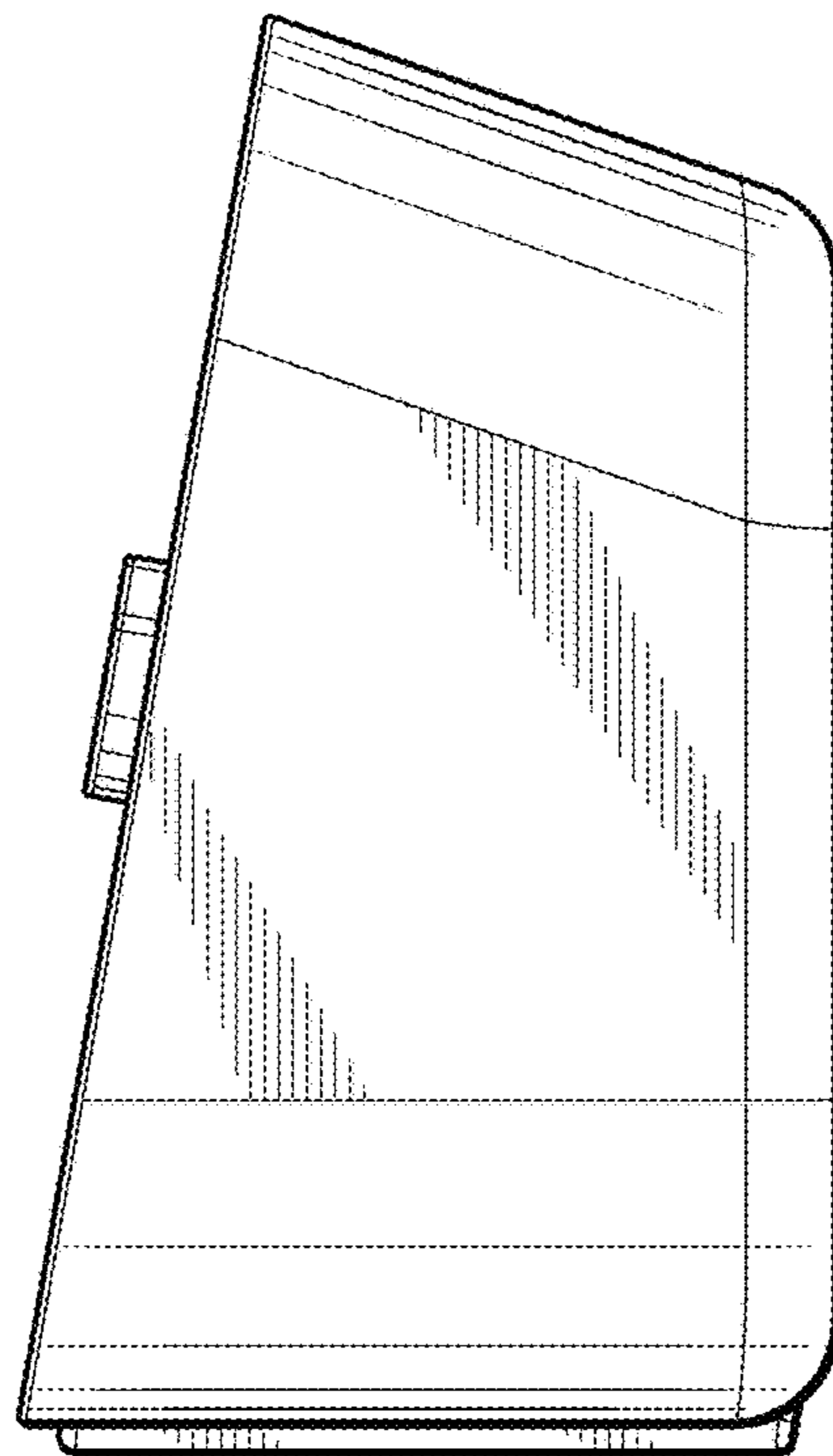


FIG. 11

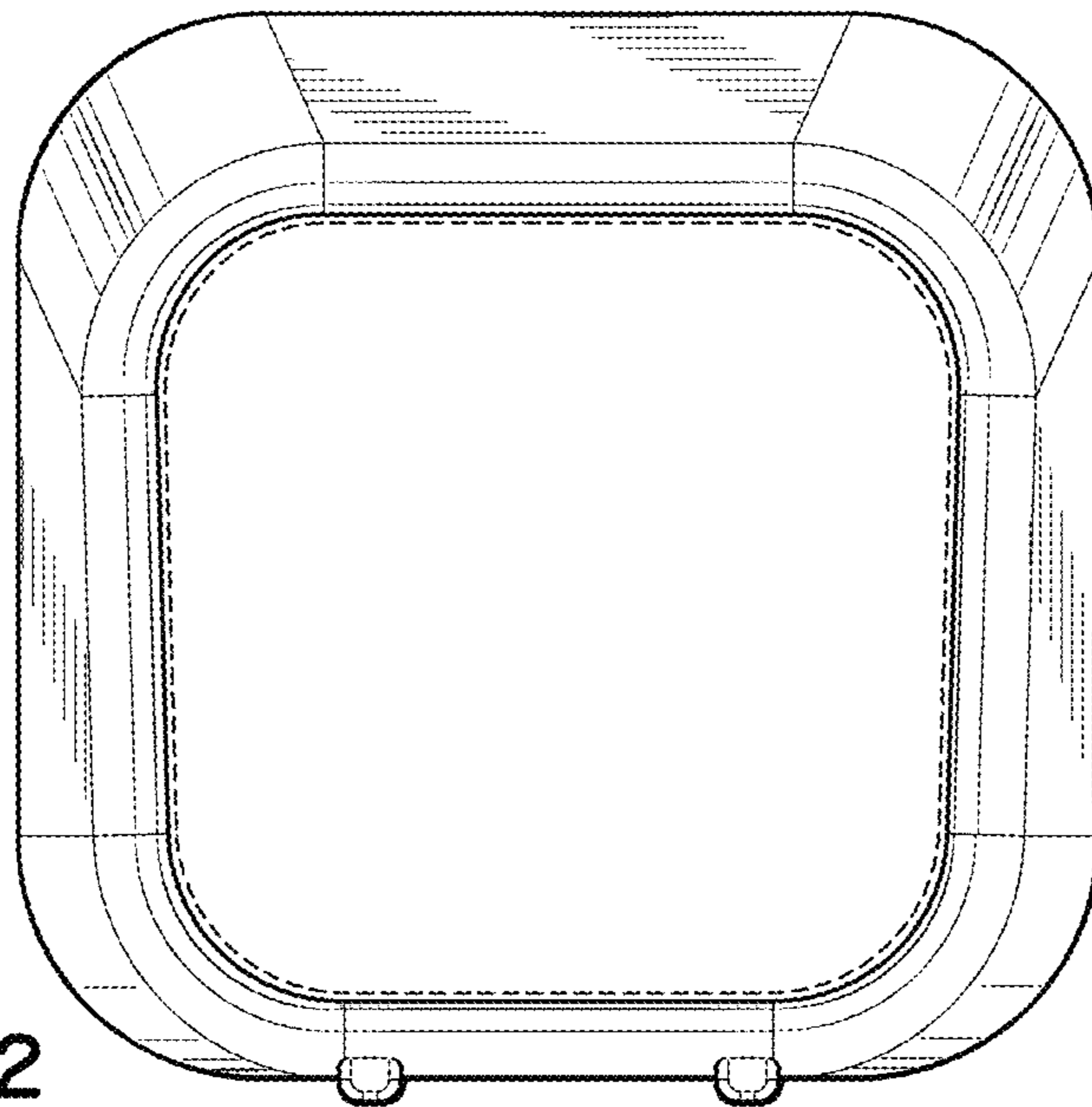


FIG. 12

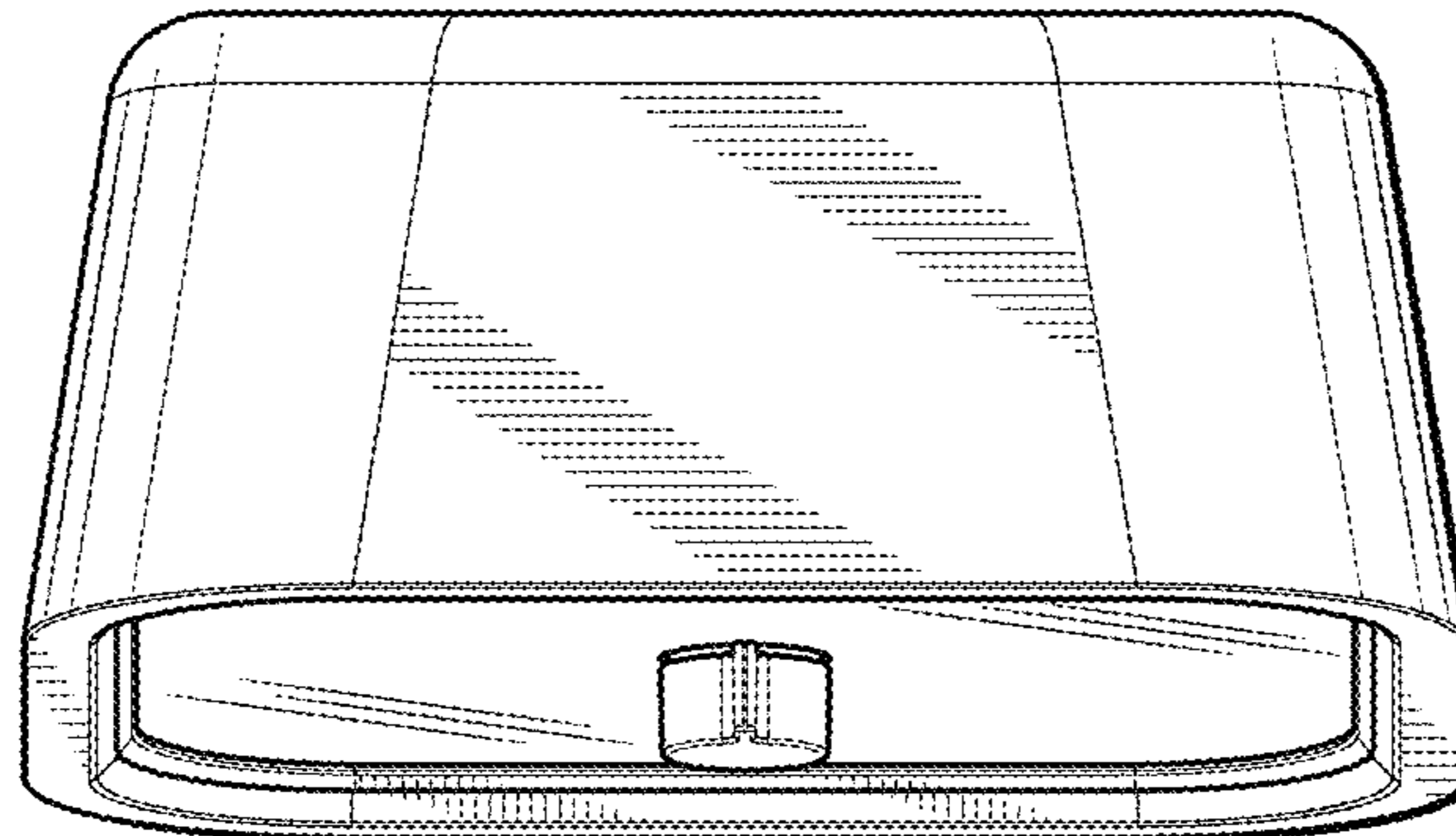


FIG. 13

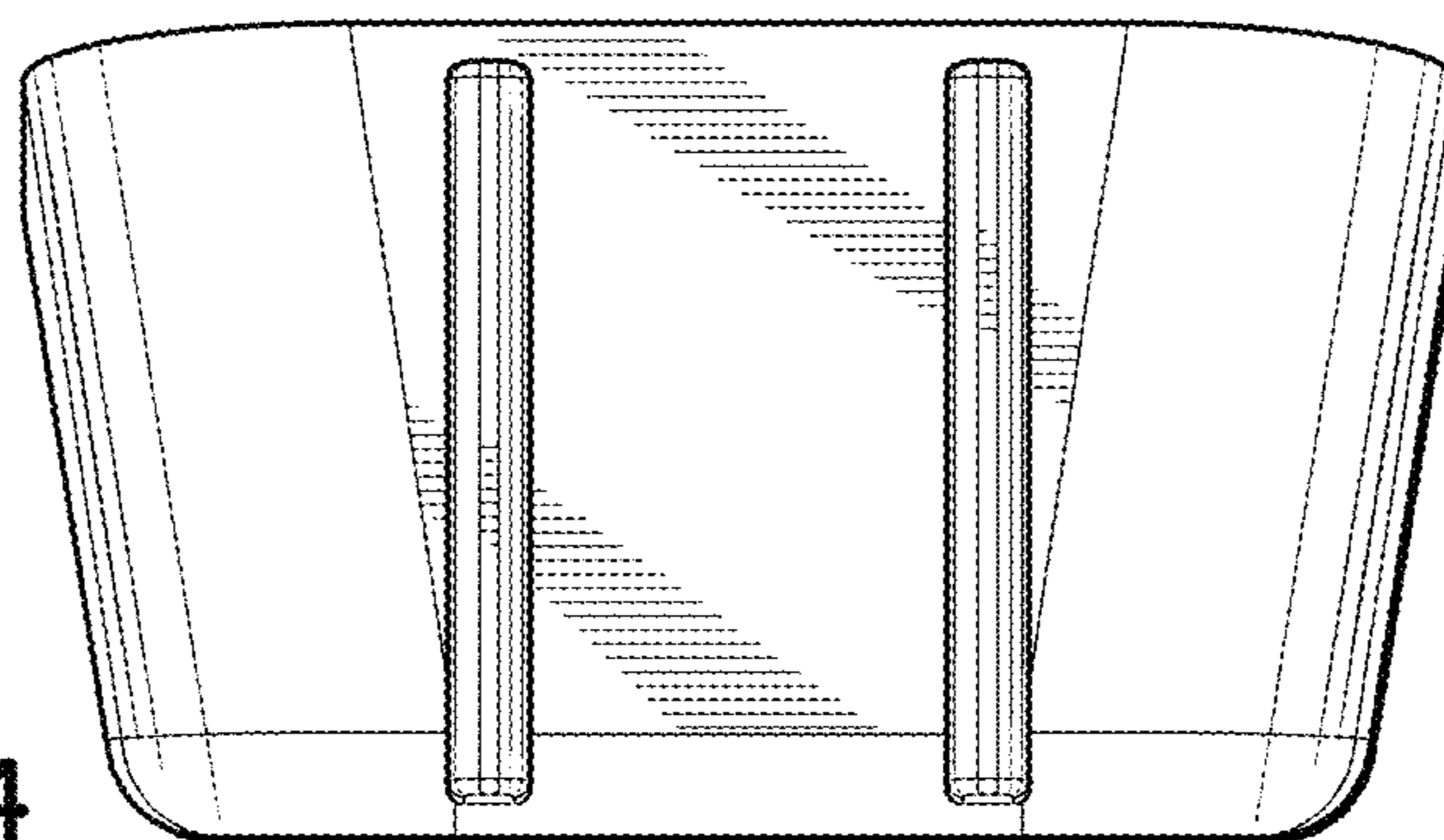


FIG. 14