



US00D785470S

(12) **United States Design Patent** (10) **Patent No.:** **US D785,470 S**
White et al. (45) **Date of Patent:** **** May 2, 2017**

(54) **WATCH**
(71) Applicant: **Nixon, Inc.**, Encinitas, CA (US)
(72) Inventors: **Tyson White**, Encinitas, CA (US); **Joe Babcock**, Encinitas, CA (US); **Jenny Sehic**, Encinitas, CA (US)
(73) Assignee: **NIXON, INC.**, Encinitas, CA (US)
(**) Term: **15 Years**

D567,677 S * 4/2008 Finazzi D10/34
D591,190 S * 4/2009 Lacroix-Gachet D10/126
D598,303 S * 8/2009 Jorst D10/38
D650,710 S * 12/2011 Laucella D10/39
D662,836 S * 7/2012 Ganz D10/38
D694,655 S * 12/2013 Rufenacht D10/38
D713,269 S * 9/2014 Rapko D10/30
D734,172 S * 7/2015 Nishi D10/124
D743,827 S * 11/2015 Prince D10/127
D747,233 S * 1/2016 Cerrato D10/127
D758,888 S * 6/2016 Gu D10/126
D760,220 S * 6/2016 Aumiller D14/344
D767,566 S * 9/2016 Morgenroth D14/344

(21) Appl. No.: **29/554,622**
(22) Filed: **Feb. 12, 2016**
(51) **LOC (10) Cl.** **10-02**
(52) **U.S. Cl.**
USPC **D10/39**; D10/30
(58) **Field of Classification Search**
USPC D10/1-29, 30-39, 122-132
CPC G04B 37/081; G04B 37/0058; G04B 37/082;
G04B 37/18; G04B 17/08; G04B 17/083;
G04B 19/06; G04B 19/10; G04B 19/12;
G04B 19/24; G04B 19/26; G04B 19/268;
G04B 19/065; G04B 19/30
See application file for complete search history.

FOREIGN PATENT DOCUMENTS

CH 323979 A * 8/1957 G04B 19/065
* cited by examiner

Primary Examiner — Sheryl Lane
Assistant Examiner — Samantha Wood
(74) *Attorney, Agent, or Firm* — Torrey Pines Law Group, PC; Kevin W. Buckley

(57) **CLAIM**

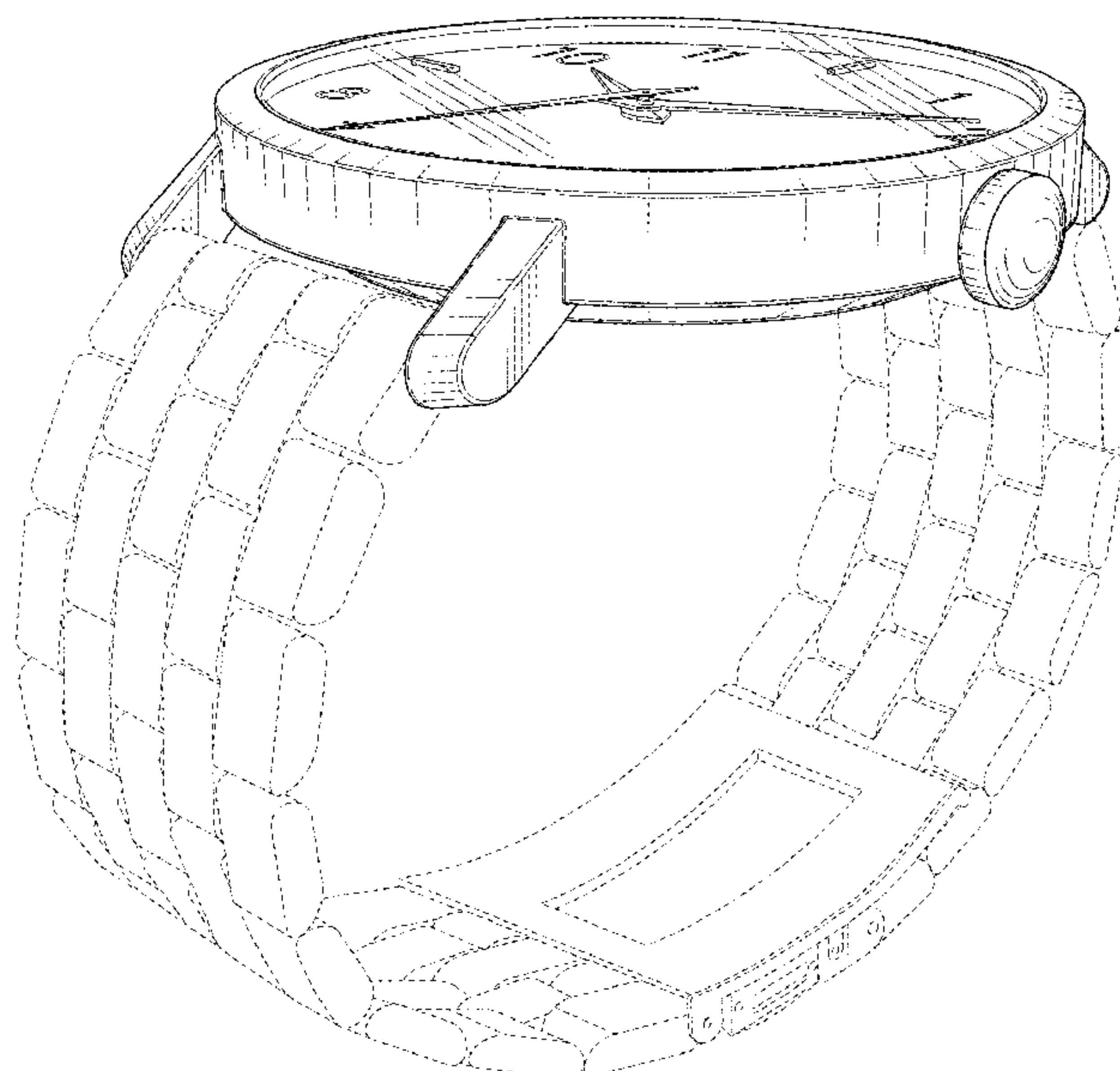
The ornamental design for a watch, as shown and described.

DESCRIPTION

FIG. 1 is a front right perspective view of a watch showing our new design;
FIG. 2 is a front side view thereof;
FIG. 3 is a back side view thereof;
FIG. 4 is a left side view thereof;
FIG. 5 is a right side view thereof;
FIG. 6 is a top view thereof; and,
FIG. 7 is a bottom view thereof.
The broken line showing portions of the watch are included for the purpose of illustrating the environmental structure and forms no part of the claimed design.

(56) **References Cited**
U.S. PATENT DOCUMENTS
D126,622 S * 4/1941 Didisheim 368/232
2,361,563 A * 10/1944 Pellaton G04F 7/00
368/101
D267,705 S * 1/1983 Kosugi D10/39
D302,664 S * 8/1989 Dawson, Jr. D10/15
D373,957 S * 9/1996 Mareschal D10/30
D378,805 S * 4/1997 Riley D10/30
D465,739 S * 11/2002 Arabov D10/39
D502,120 S * 2/2005 Nataf D10/126
D504,624 S * 5/2005 Bodino D10/39
D517,432 S * 3/2006 Laucella D10/39

1 Claim, 4 Drawing Sheets



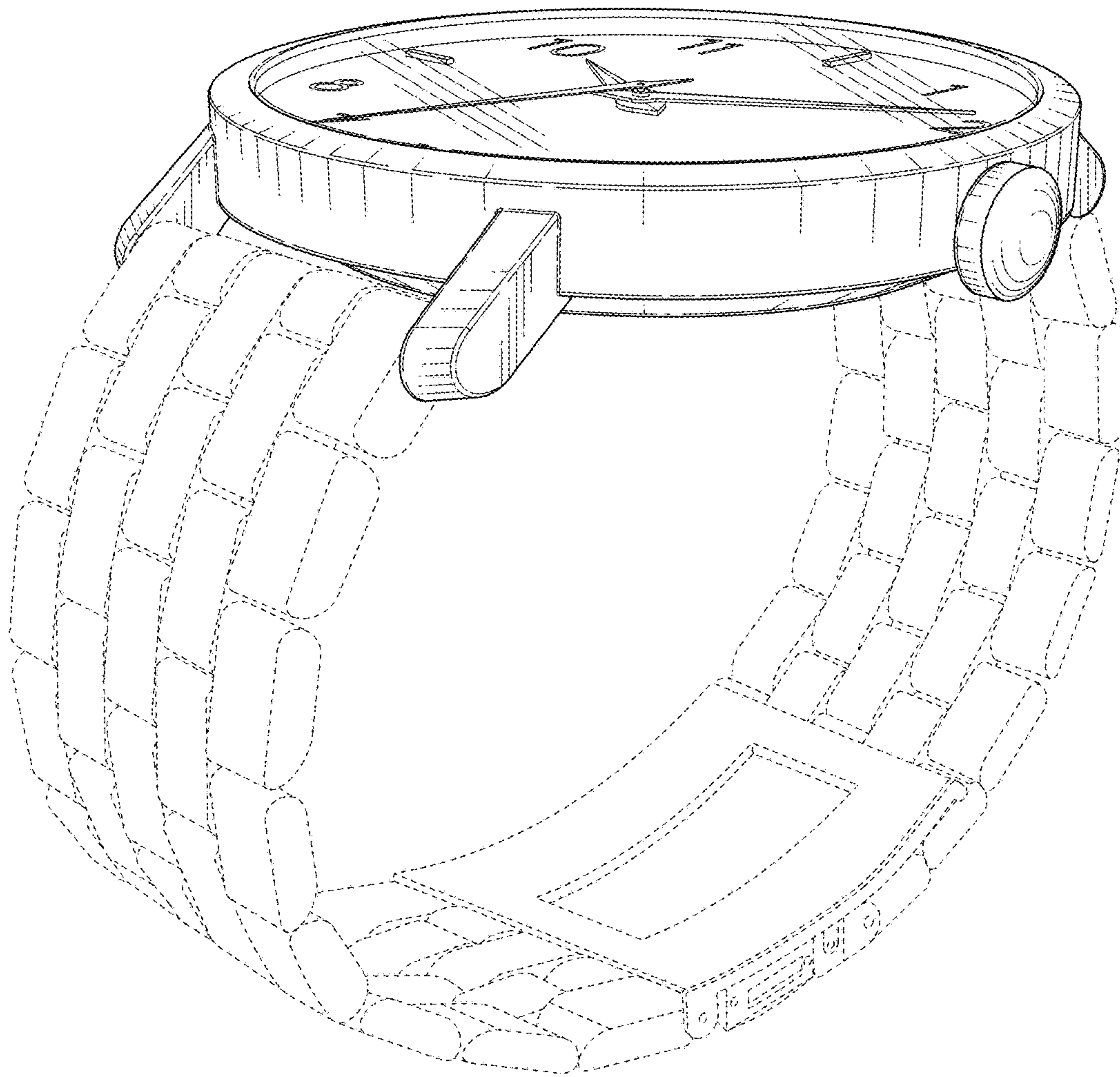


FIG. 1

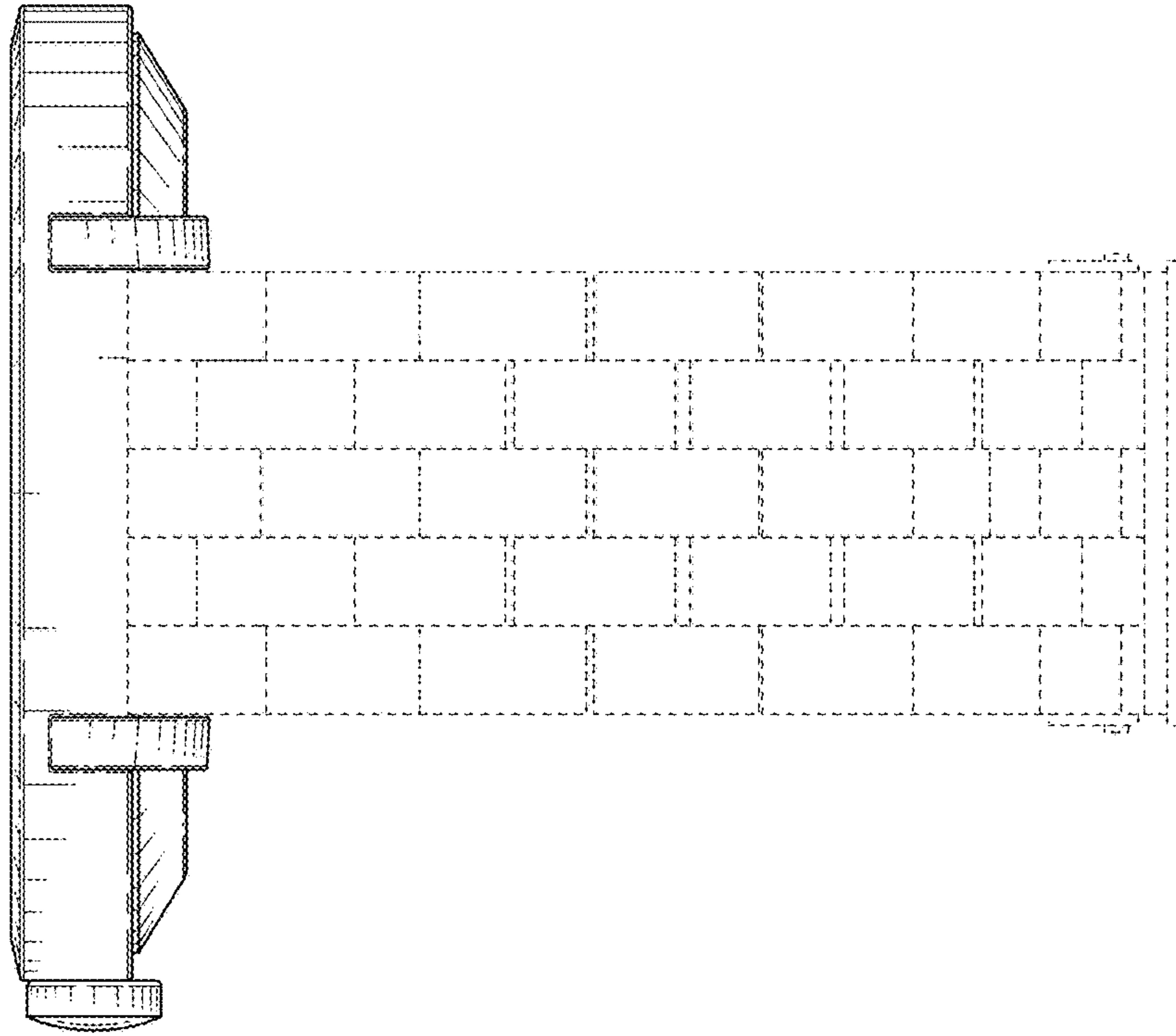


FIG. 3

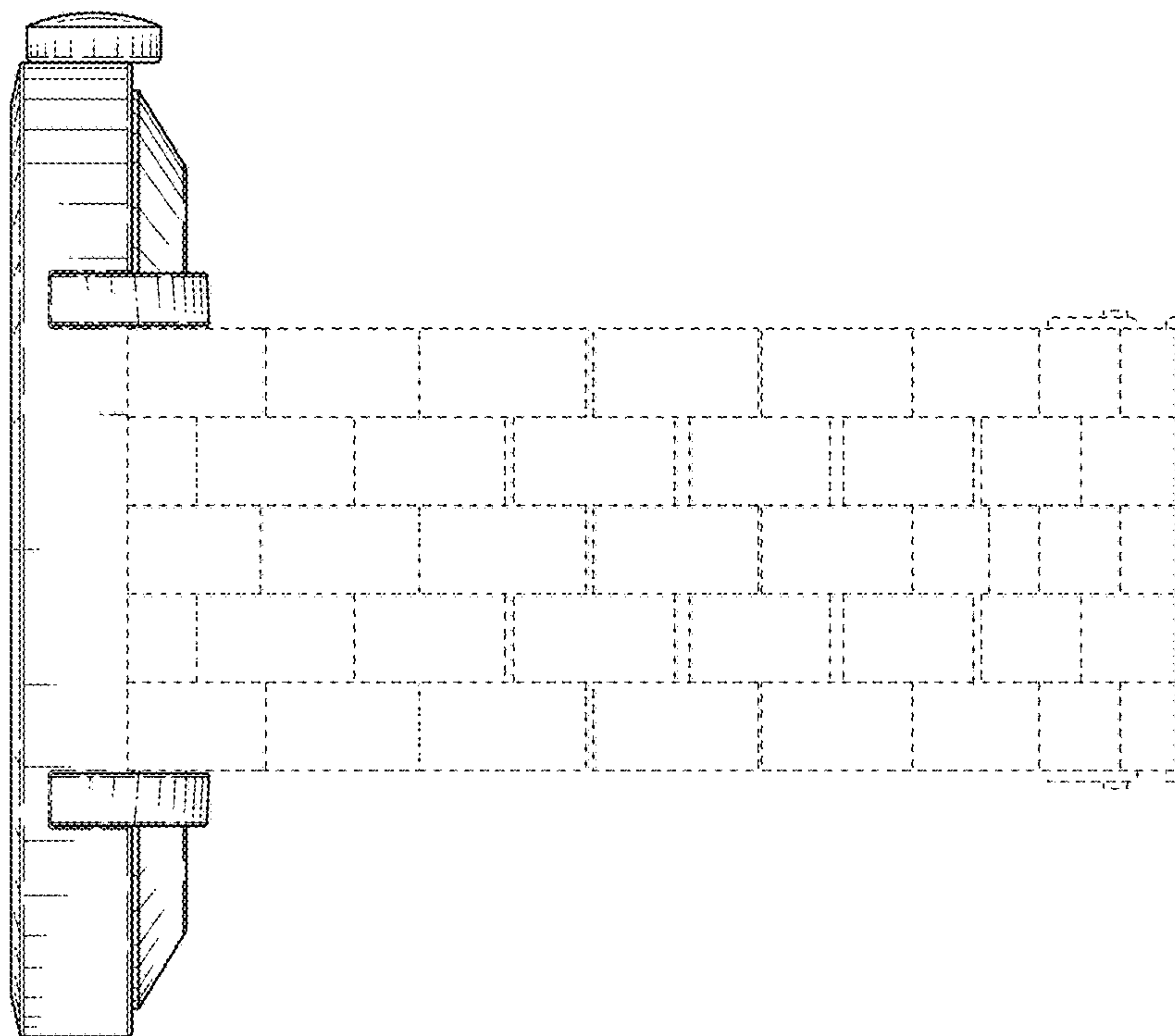


FIG. 2

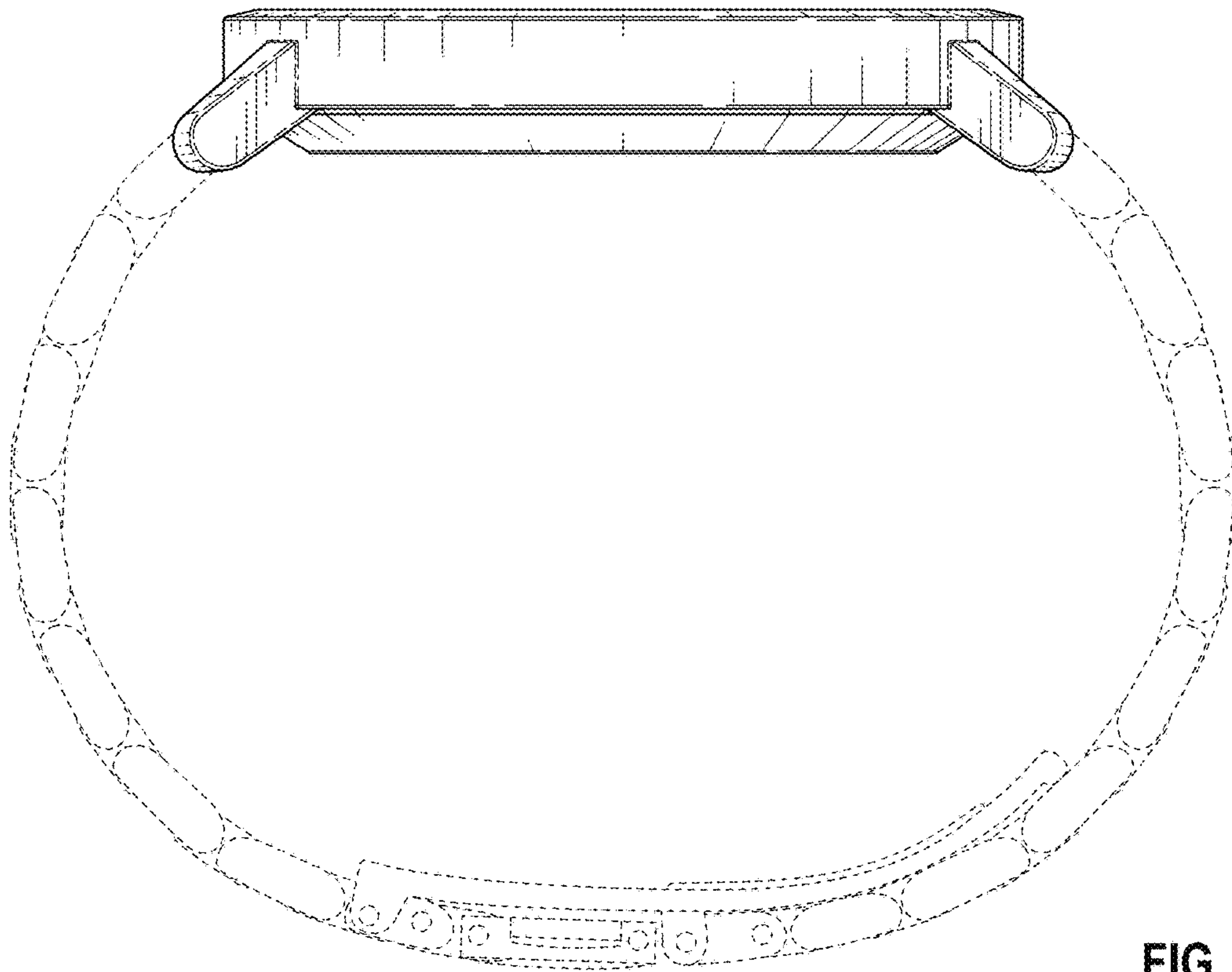


FIG. 4

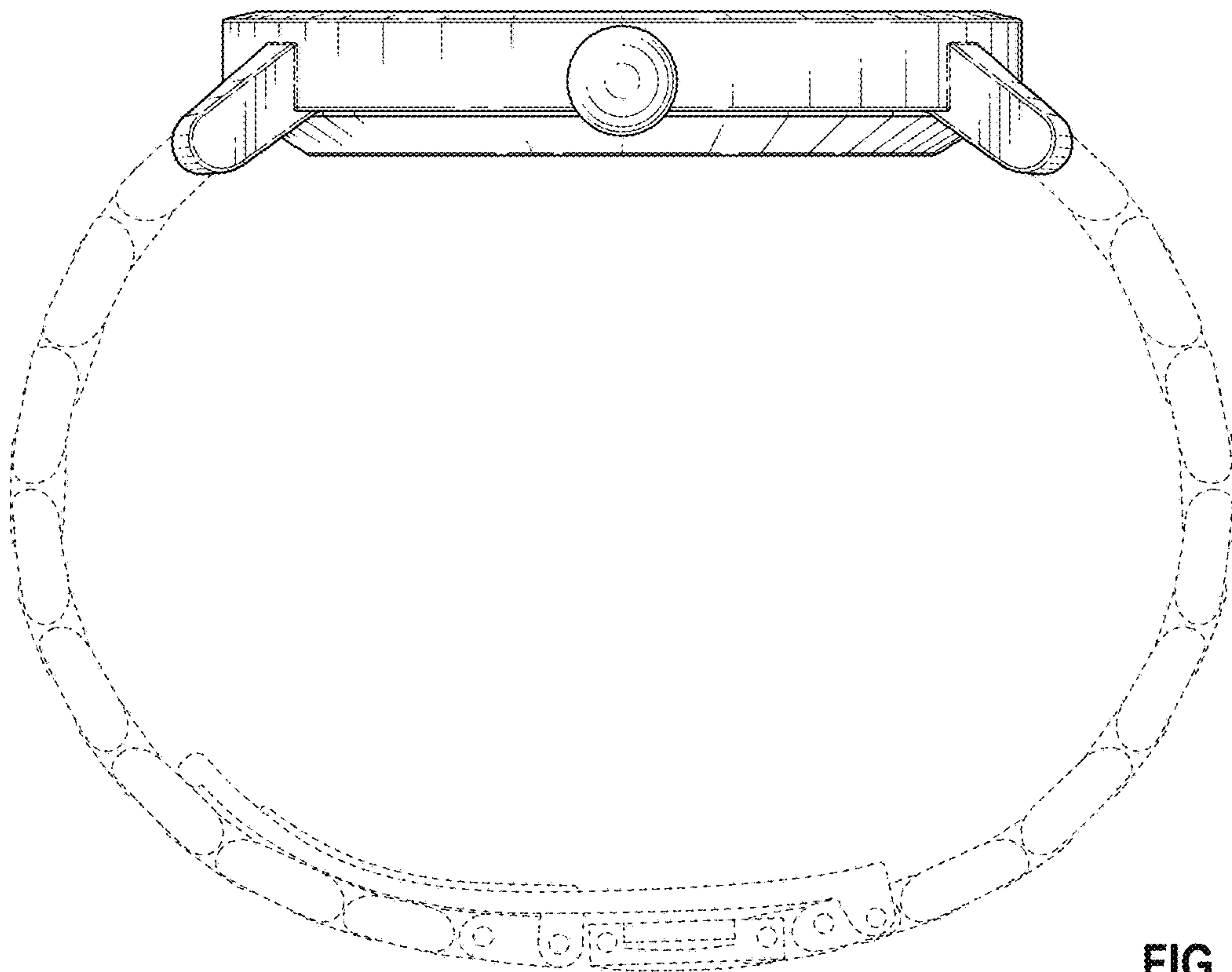


FIG. 5

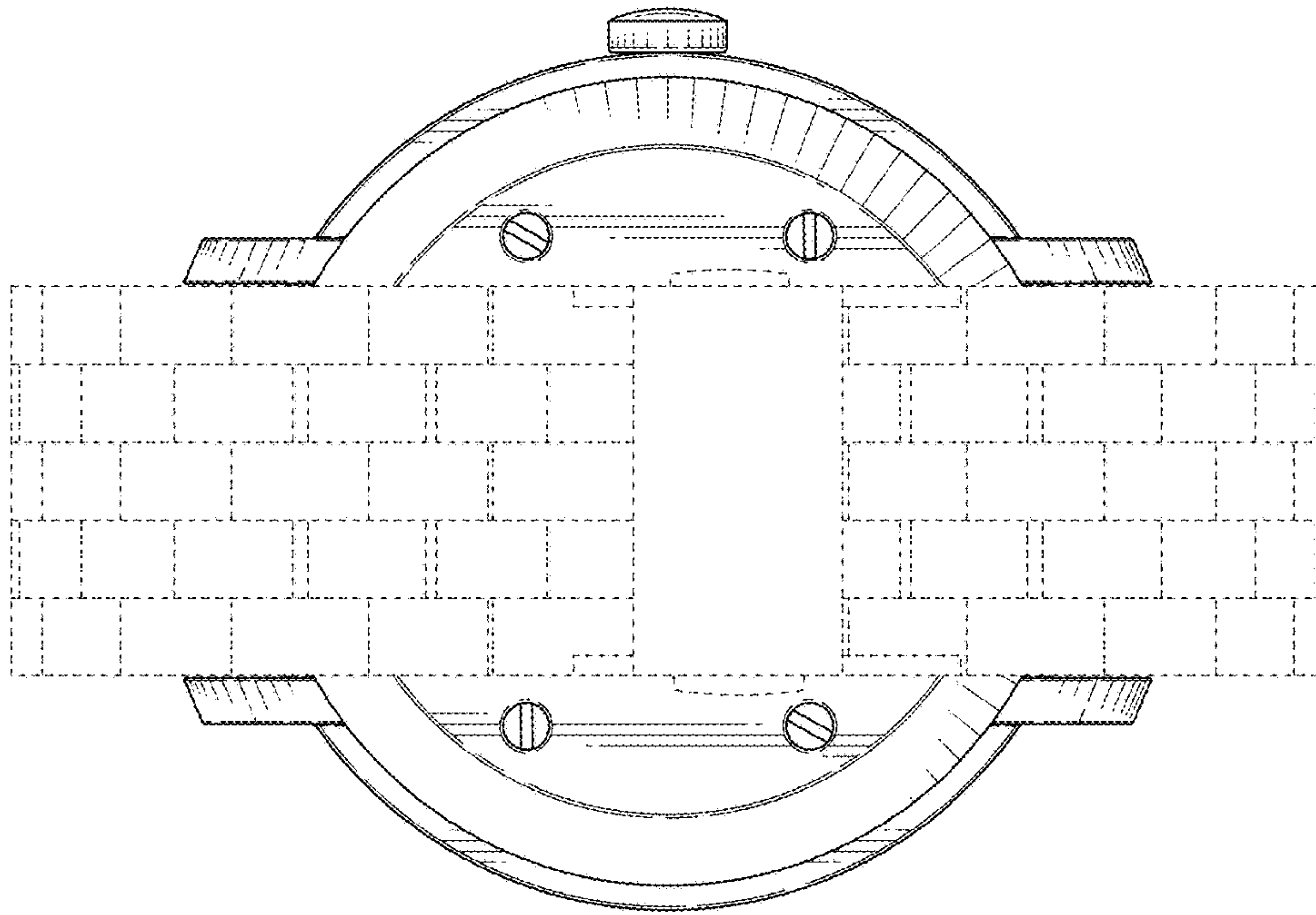


FIG. 7

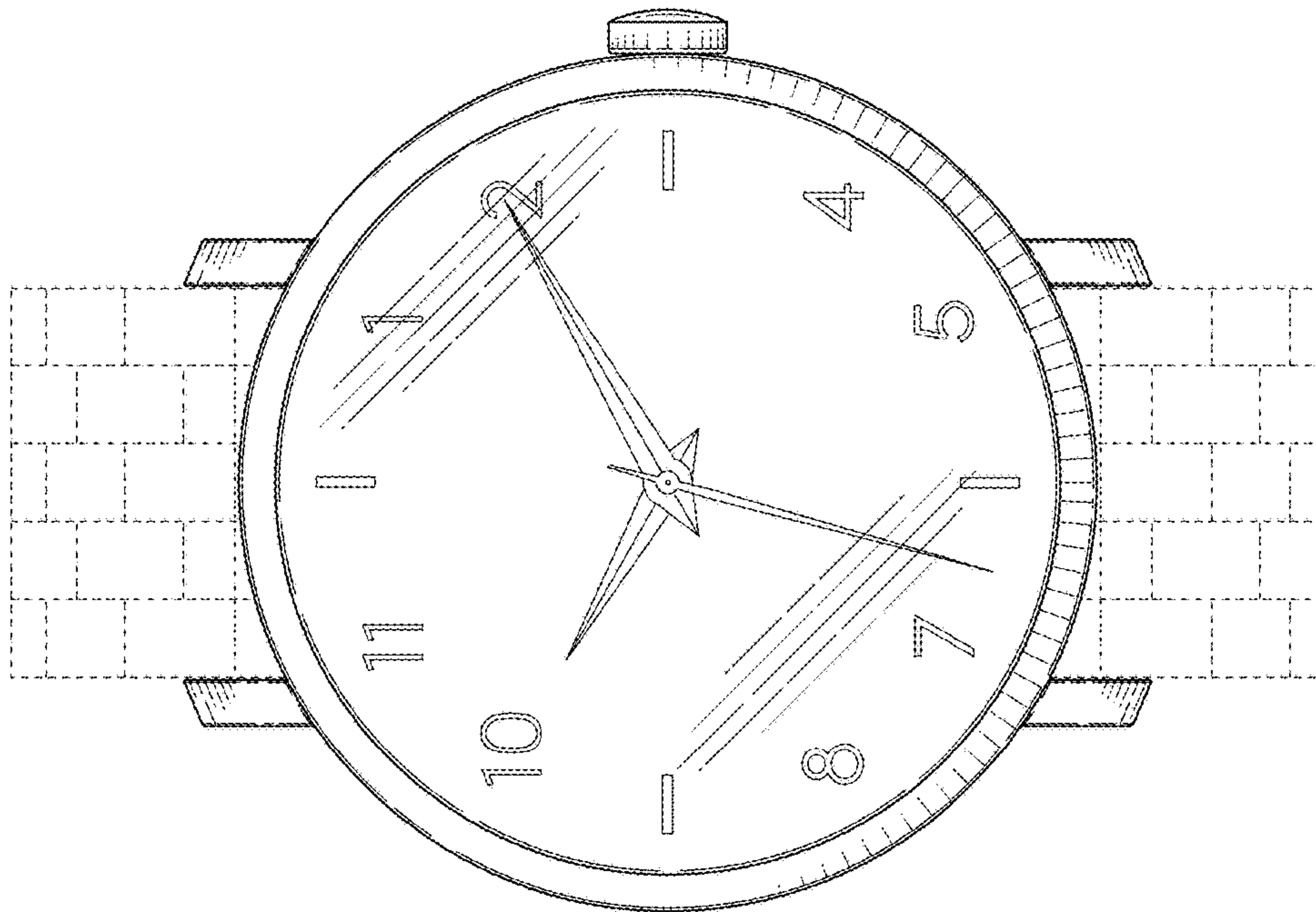


FIG. 6