



US00D785468S

(12) **United States Design Patent**
White et al.

(10) **Patent No.:** **US D785,468 S**
(45) **Date of Patent:** **** May 2, 2017**

- (54) **WATCH**
- (71) Applicant: **Nixon, Inc.**, Encinitas, CA (US)
- (72) Inventors: **Tyson White**, Encinitas, CA (US); **Joe Babcock**, Encinitas, CA (US); **Nick Everist**, Encinitas, CA (US)
- (73) Assignee: **NIXON, INC.**, Encinitas, CA (US)
- (**) Term: **15 Years**
- (21) Appl. No.: **29/554,882**
- (22) Filed: **Feb. 16, 2016**
- (51) **LOC (10) Cl.** **10-02**
- (52) **U.S. Cl.**
USPC **D10/38; D10/30**
- (58) **Field of Classification Search**
USPC D10/1-29, 30-39, 122-132
CPC A44C 5/025; A44C 5/027; A44C 11/00;
G04B 19/00; G04B 19/06; G04B 19/14;
G04B 19/18; G04B 37/0008; G04B
37/0058; G04B 37/1486
See application file for complete search history.

D711,751 S *	8/2014	Laucella	D10/39
D717,682 S *	11/2014	Yliluoma	D10/128
D729,638 S *	5/2015	Favre	D10/38
D731,900 S *	6/2015	Mille	D10/125
D735,060 S *	7/2015	Monachon	D10/32
D743,830 S *	11/2015	Kuo	D10/128
D749,432 S *	2/2016	Daniel	D10/126
D758,886 S *	6/2016	Kimura	D10/128
D758,887 S *	6/2016	Sasaki	D10/128
D761,129 S *	7/2016	Calvani	D10/126
D764,319 S *	8/2016	Bonadei	D10/128
D768,527 S *	10/2016	Monachon	D10/126

* cited by examiner

Primary Examiner — Sheryl Lane

Assistant Examiner — Samantha Wood

(74) *Attorney, Agent, or Firm* — Torrey Pines Law Group, PC; Kevin Buckley

(57) **CLAIM**

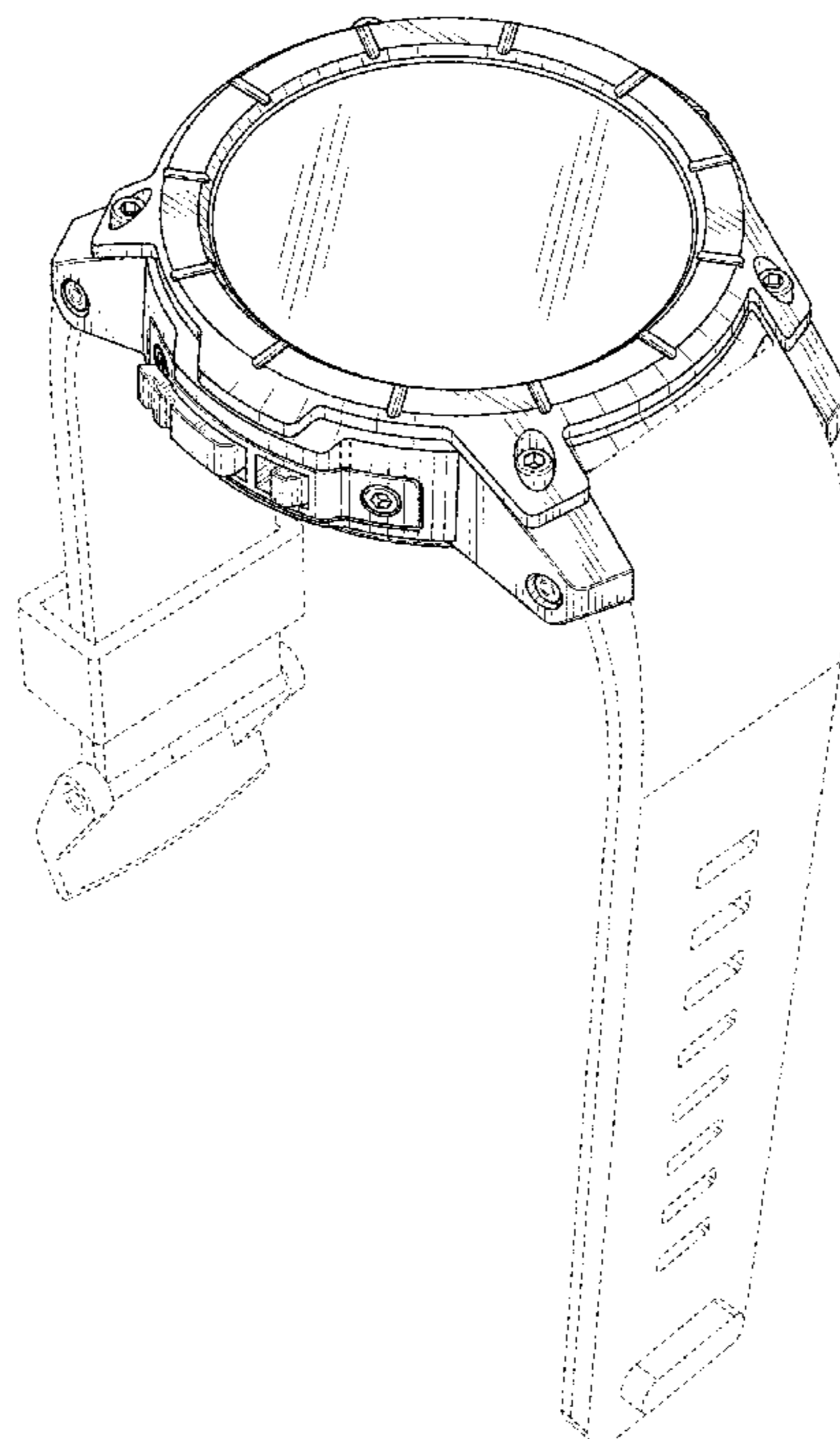
The ornamental design for a watch, as shown and described.

DESCRIPTION

FIG. 1 is a front left perspective view of a watch showing our new design;
 FIG. 2 is a front elevation view thereof;
 FIG. 3 is a back elevation view thereof;
 FIG. 4 is a left side view thereof;
 FIG. 5 is a right side view thereof;
 FIG. 6 is a top view thereof; and,
 FIG. 7 is a bottom view thereof.
 The broken line showing portions of the wristband are included for the purpose of illustrating the environmental structure and forms no part of the claimed design.

1 Claim, 6 Drawing Sheets

- (56) **References Cited**
U.S. PATENT DOCUMENTS
- D380,391 S * 7/1997 Osit D10/30
- D462,919 S * 9/2002 Strasser D10/131
- D566,585 S * 4/2008 Belamich D10/39
- D582,793 S * 12/2008 Lalo D10/38
- D616,783 S * 6/2010 Chastaingt D10/128
- D680,884 S * 4/2013 Bernard D10/32
- D681,483 S * 5/2013 Biegert D10/38
- D694,656 S * 12/2013 Inoue D10/38



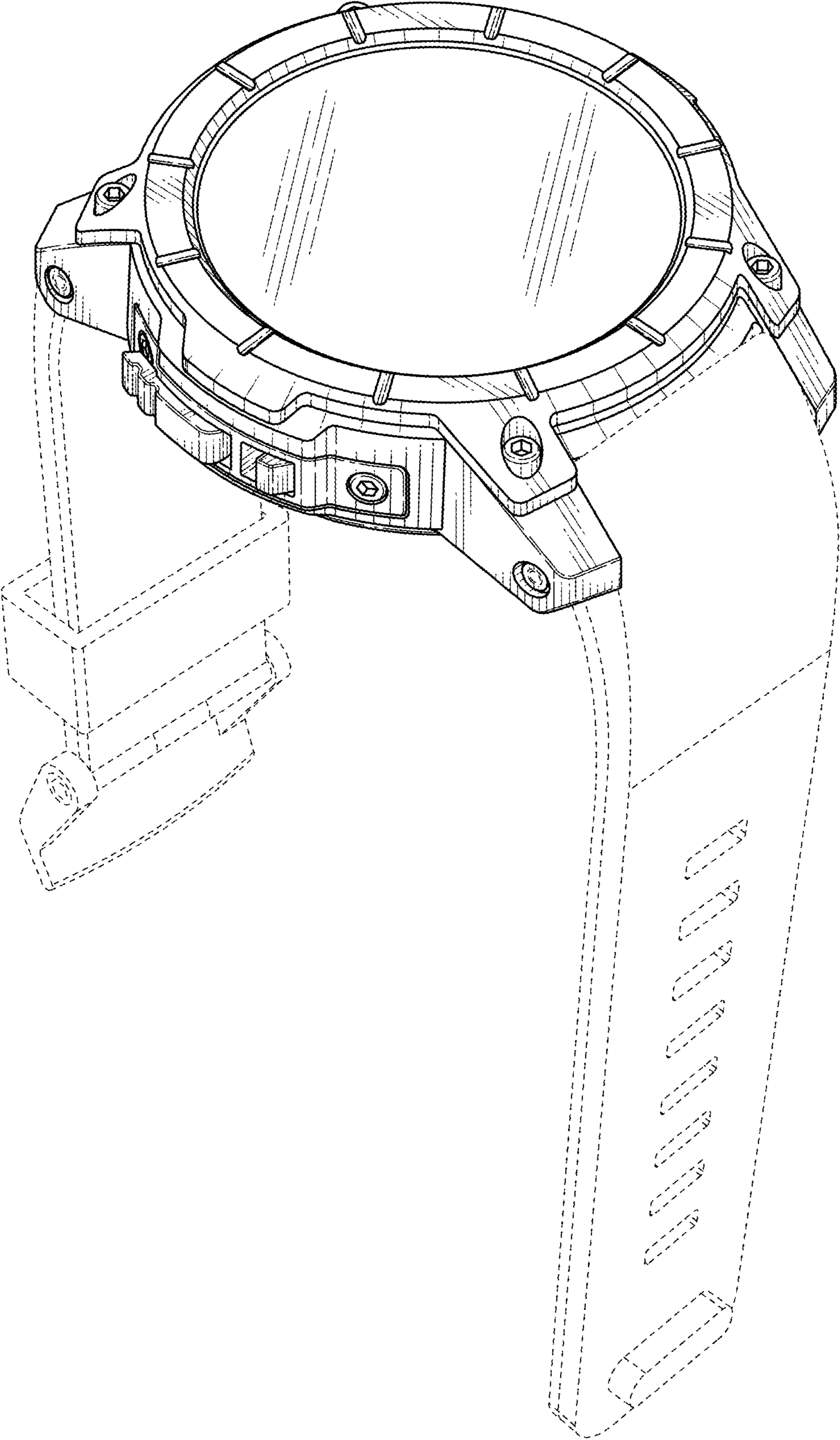


FIG. 1

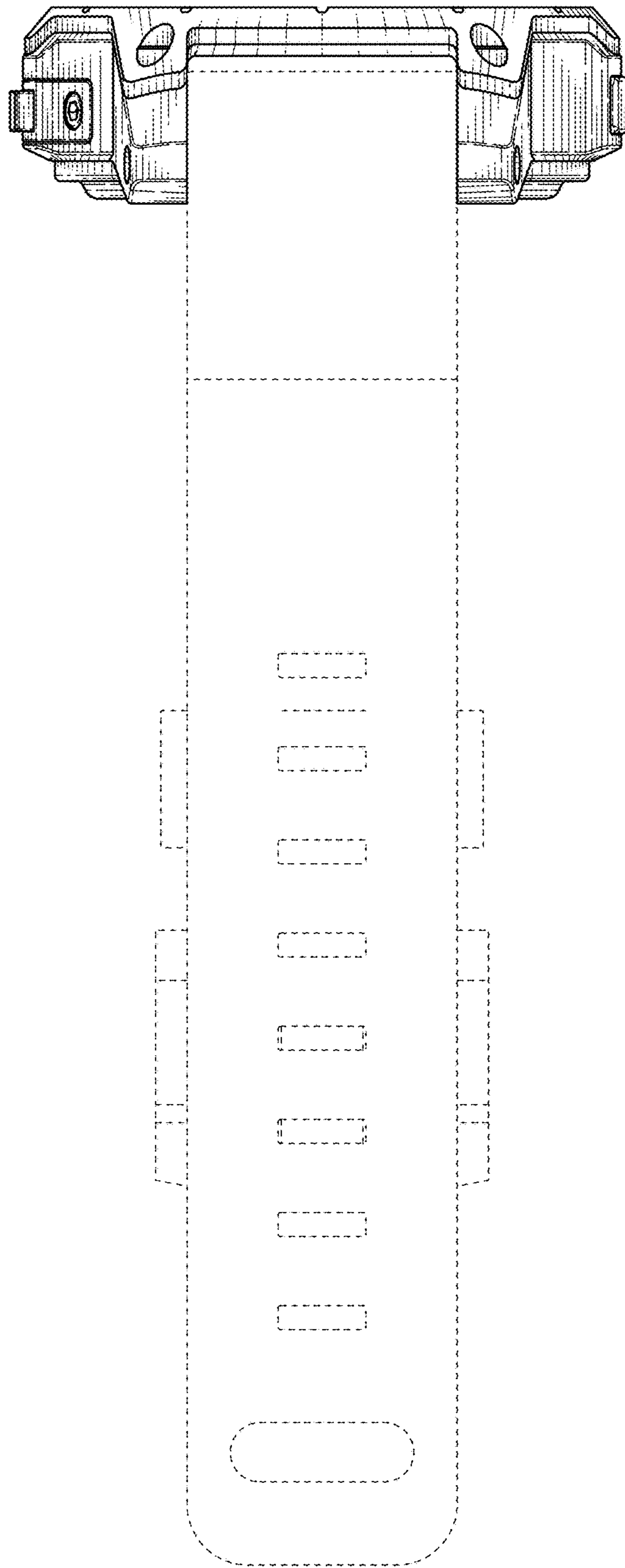


FIG. 2

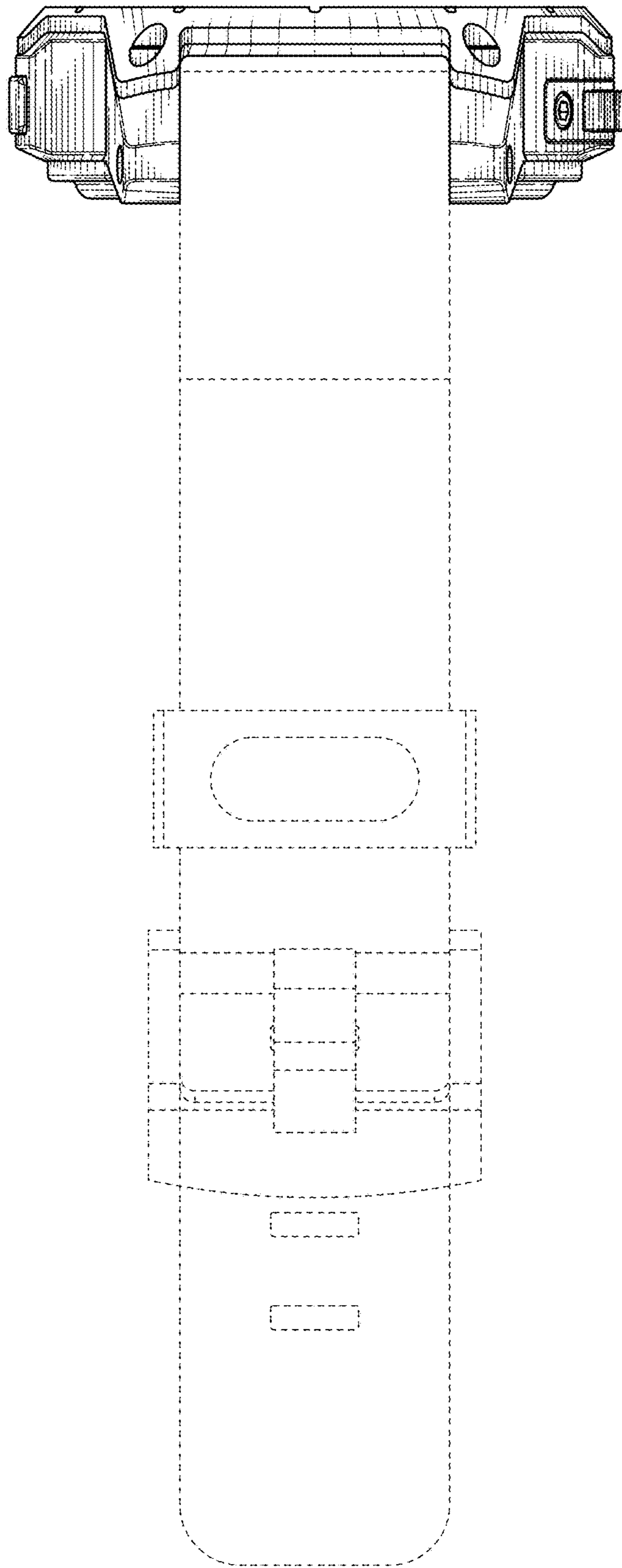


FIG. 3

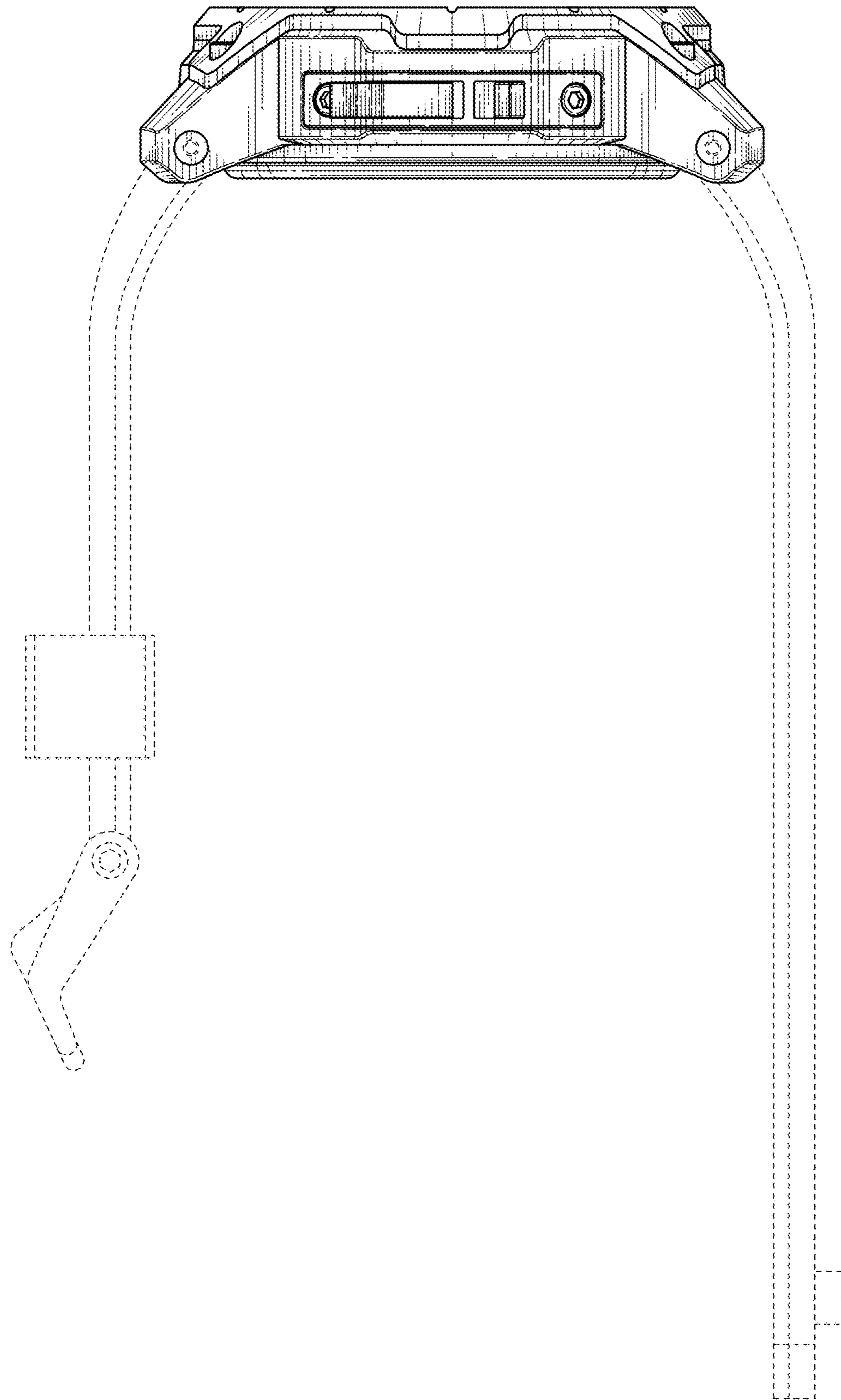


FIG. 4

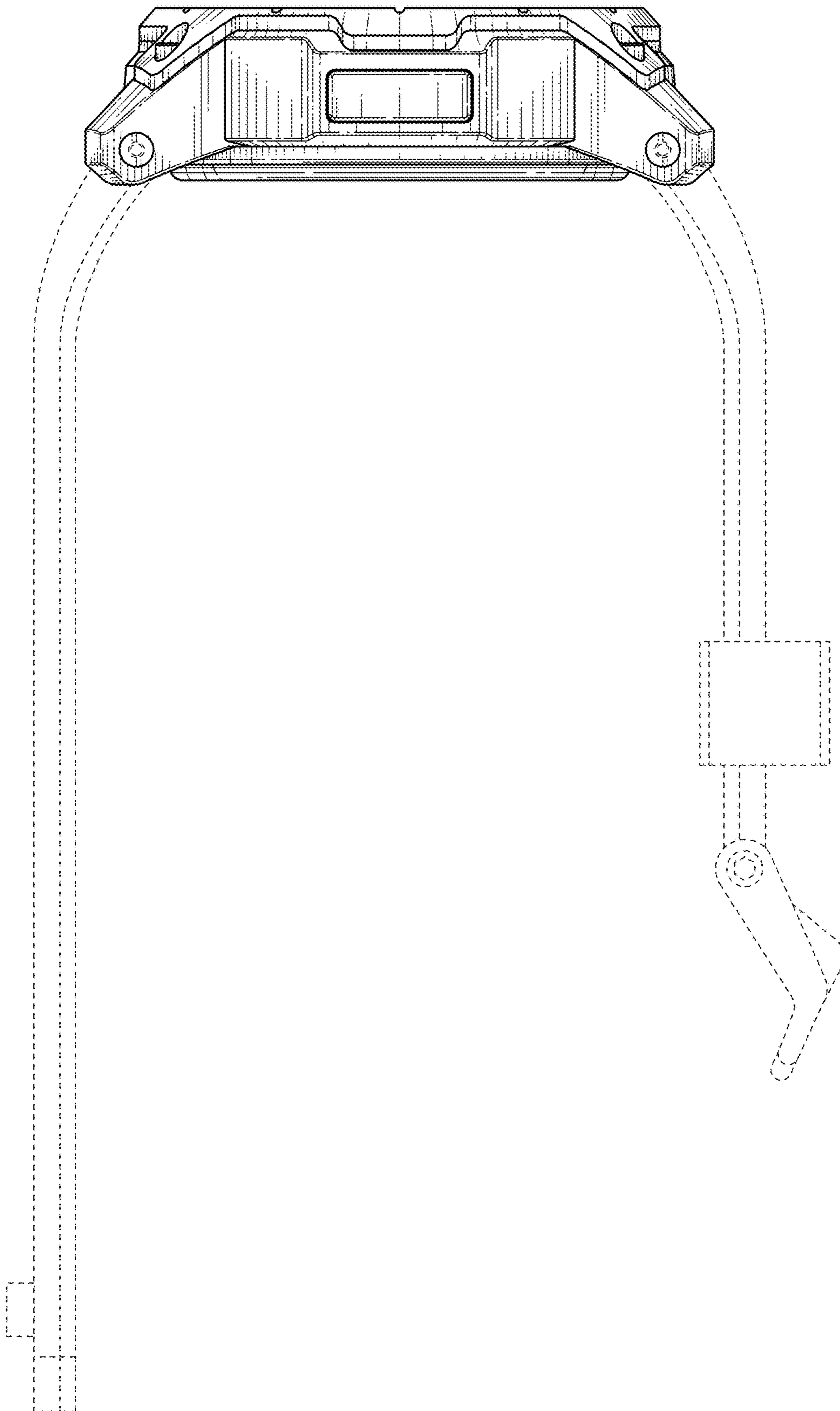


FIG. 5

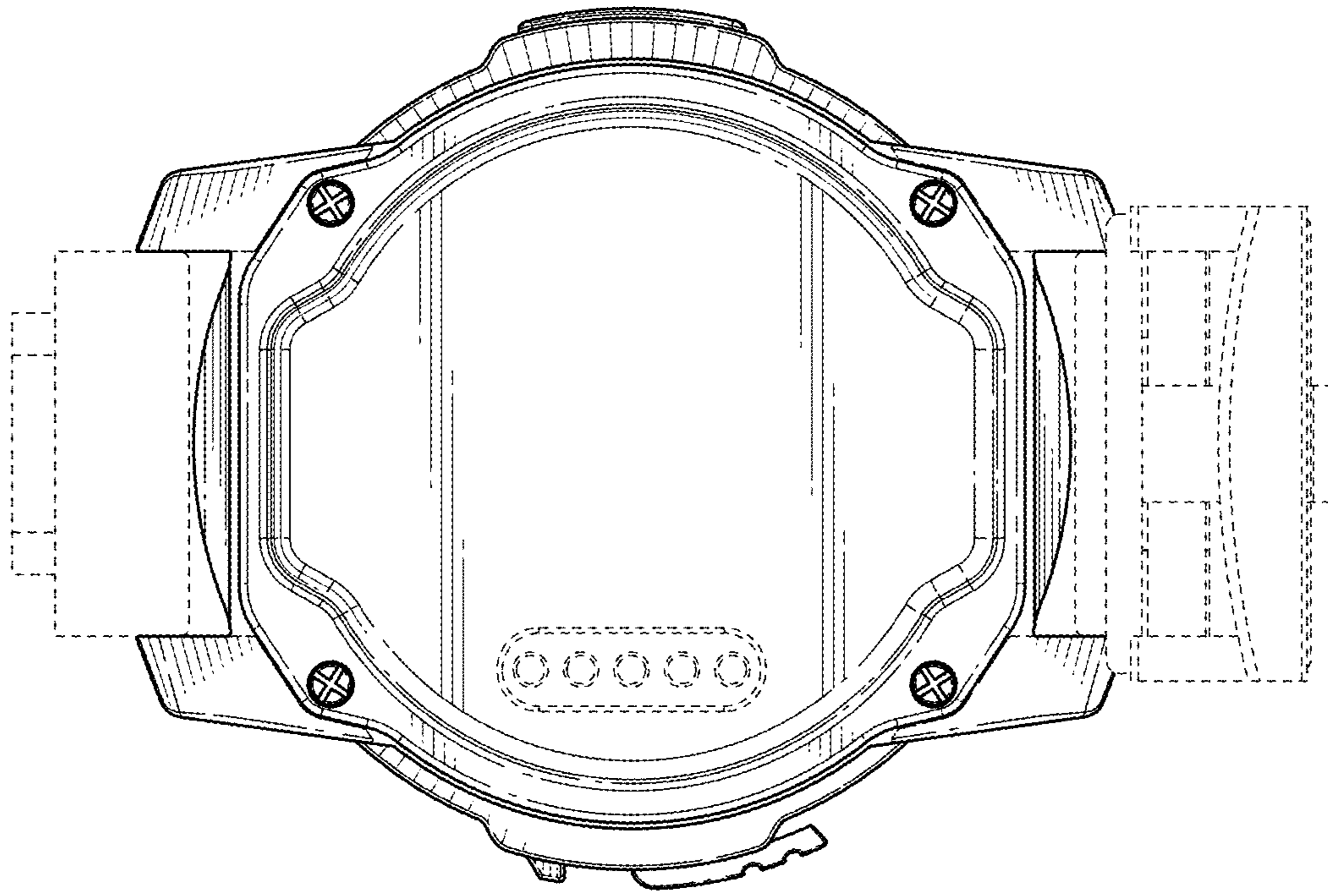


FIG. 7

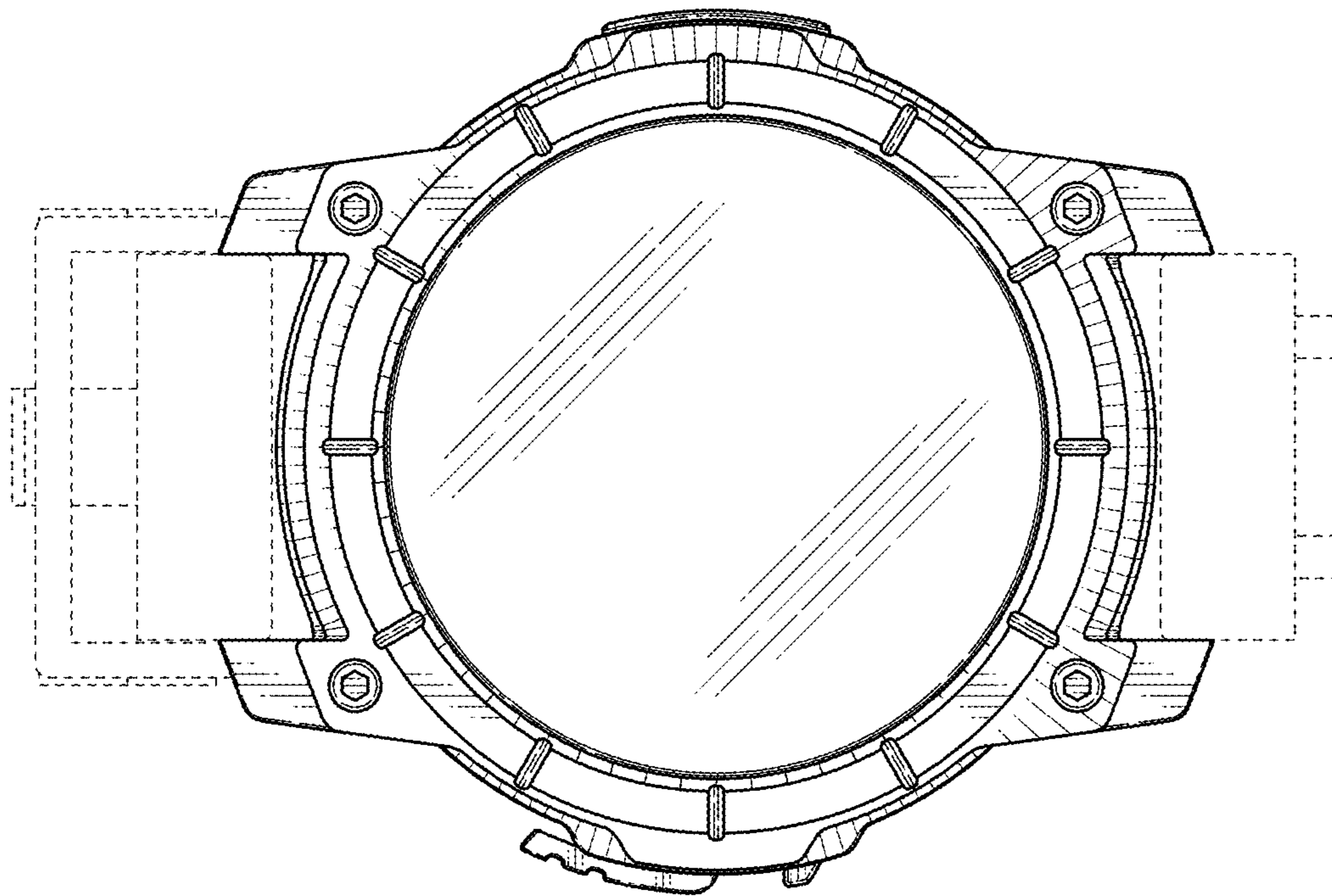


FIG. 6