



US00D785466S

(12) **United States Design Patent**
Son et al.

(10) **Patent No.:** **US D785,466 S**

(45) **Date of Patent:** **** May 2, 2017**

(54) **CONTAINER FOR FOOD PACKING**

(71) Applicant: **CJ CHEILJEDANG CORP.**, Seoul (KR)

(72) Inventors: **Seol Hee Son**, Seoul (KR); **Yul Joong Kim**, Seoul (KR); **Jung Woo Kim**, Seoul (KR)

(73) Assignee: **CJ CHEILJEDANG CORPORATION**, Seoul (KR)

(**) Term: **15 Years**

(21) Appl. No.: **29/535,717**

(22) Filed: **Aug. 10, 2015**

(30) **Foreign Application Priority Data**

May 18, 2015 (KR) 30-2015-0025198

(51) **LOC (10) Cl.** **09-03**

(52) **U.S. Cl.**
USPC **D9/760**

(58) **Field of Classification Search**
USPC D9/756, 715-717, 737, 414-417, 421, D9/424, 425, 428-432, 524, 516, 721; D7/354, 392.1, 394, 396.1, 538, 543-545, D7/550.1, 551, 554.3, 587, 566, 575, 584, D7/619, 629, 667, 318, 319, 619.1, D7/553.6-553.7, 554.2, 602, 701; 229/400-406, 932, 906.1; D24/104, 105, D24/176-180, 227; D6/530, 63.5, 553, D6/557, 541, 775, 776, 119, 470, 508, D6/521.1, 545, 806, 217, 820; 220/608, 220/780-806, 475, 674, 675, 4.21-4.27, 220/555, 556, 810, 836, 837, 841, 366.1, 220/367, 574, 602-607, 835, 839, 220/656-659, 669-673, 912, 23.4; 249/119; D28/8.1; D3/302, 314; 219/725, 728, 735; 366/602; 433/49, 433/163, 91, 50, 77, 79, 166, 125

CPC A61C 17/005; A61C 179/006; B65D 43/162; B65D 81/3453; B65D 1/00; B65D 1/30; B65D 21/02; B65D 21/0206; B65D 2571/00277; B65D 71/40; B65D 71/50; B65D 2543/00194; B65D 2543/00296; B65D 2543/00509; B65D 43/021; B65D 2543/00101; B65D 2543/00537; B65D 2543/00555; B65D 2577/2066; B65D 1/36; B65D 2101/0015
See application file for complete search history.

(56) **References Cited**

U.S. PATENT DOCUMENTS

3,520,439 A * 7/1970 Smith B65D 1/30 220/23.4
D236,881 S * 9/1975 Mitchell D9/759
D273,765 S * 5/1984 Cillario D9/425
D297,119 S * 8/1988 Fontana D9/737
4,903,842 A * 2/1990 Tokuda B32B 27/06 206/222

(Continued)

Primary Examiner — Cathron Brooks
Assistant Examiner — Teddy Falloway
(74) *Attorney, Agent, or Firm* — Jeremy Jay

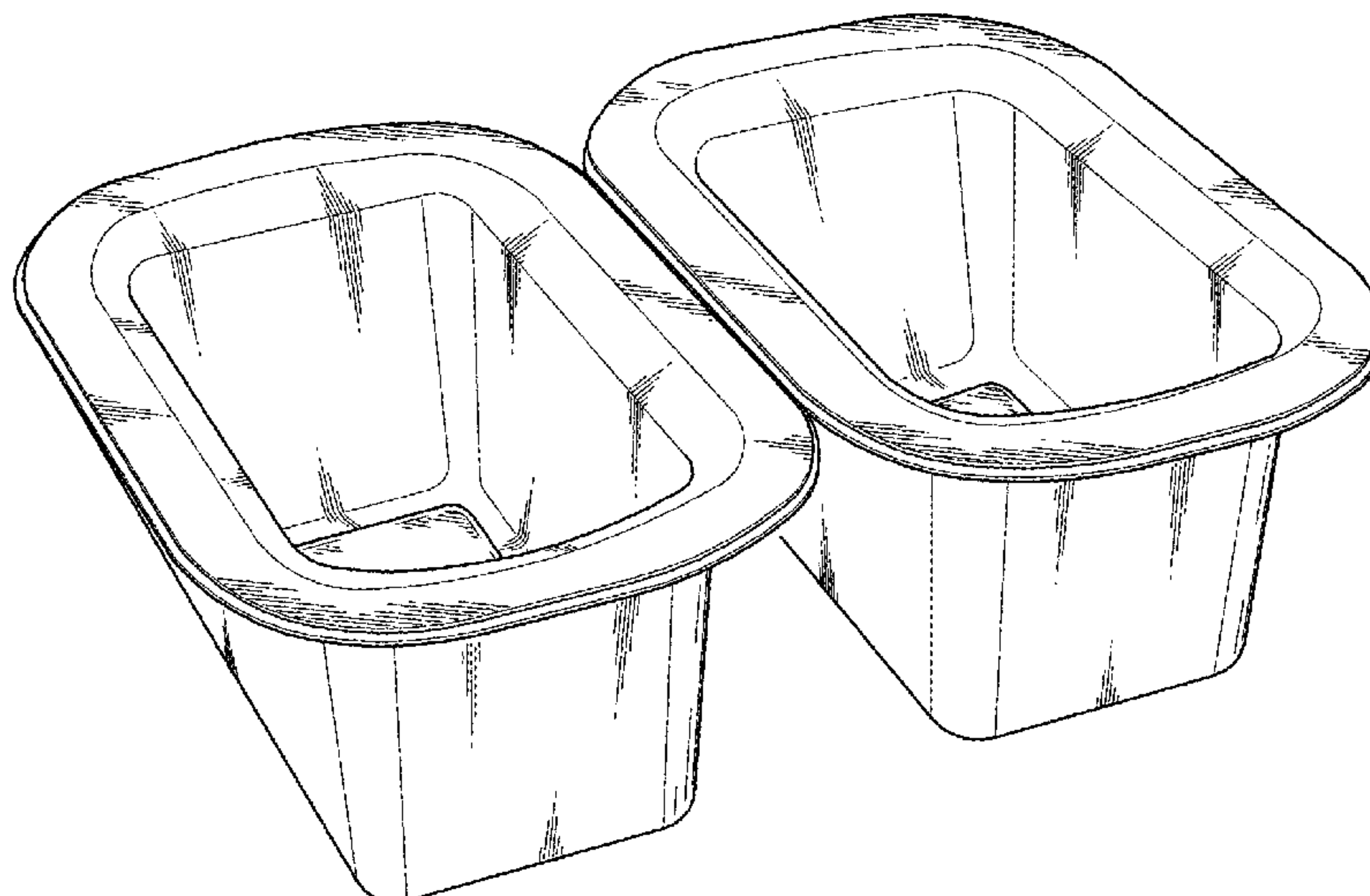
(57) **CLAIM**

The ornamental design for a container for food packing, as shown and described.

DESCRIPTION

FIG. 1 is a perspective view of a container for food packing of the present invention.
FIG. 2 is a front elevational view thereof;
FIG. 3 is a rear elevational view thereof;
FIG. 4 is a left side elevational view thereof;
FIG. 5 is a right side elevational view thereof;
FIG. 6 is a top plan view thereof; and,
FIG. 7 is a bottom plan view thereof.

1 Claim, 7 Drawing Sheets



(56)

References Cited

U.S. PATENT DOCUMENTS

5,904,263	A *	5/1999	St. Pierre	B65D 1/30 220/23.4
D448,130	S *	9/2001	Wagner	D32/53.1
D485,942	S *	1/2004	McLeish	D28/8.1
D504,065	S *	4/2005	Belser	D9/423
D505,335	S *	5/2005	Grenda	D9/737
D590,596	S *	4/2009	Dretzka	D3/304
D643,311	S *	8/2011	Meyers	D9/756
D688,572	S *	8/2013	Marin	D9/425
D690,198	S *	9/2013	Haracourt	D7/602
D696,910	S *	1/2014	Franczyk	D7/629
D698,240	S *	1/2014	Schick	D9/425
D713,741	S *	9/2014	Wilmers	D9/424
D740,135	S *	10/2015	McSweeney	D9/426
D741,201	S *	10/2015	McSweeney	D9/756
D750,974	S *	3/2016	McSweeney	D9/426
D765,504	S *	9/2016	Kim	D7/602
D774,402	S *	12/2016	McSweeney	D9/756
D778,722	S *	2/2017	Strachan	D9/432
D780,573	S *	3/2017	Son	D9/425
2008/0277397	A1 *	11/2008	Vovan	B65D 43/162 220/522
2010/0065562	A1 *	3/2010	Vovan	B65D 21/0206 220/23.4
2016/0114966	A1 *	4/2016	Yeh	B65D 43/162 206/223

* cited by examiner

FIG. 1

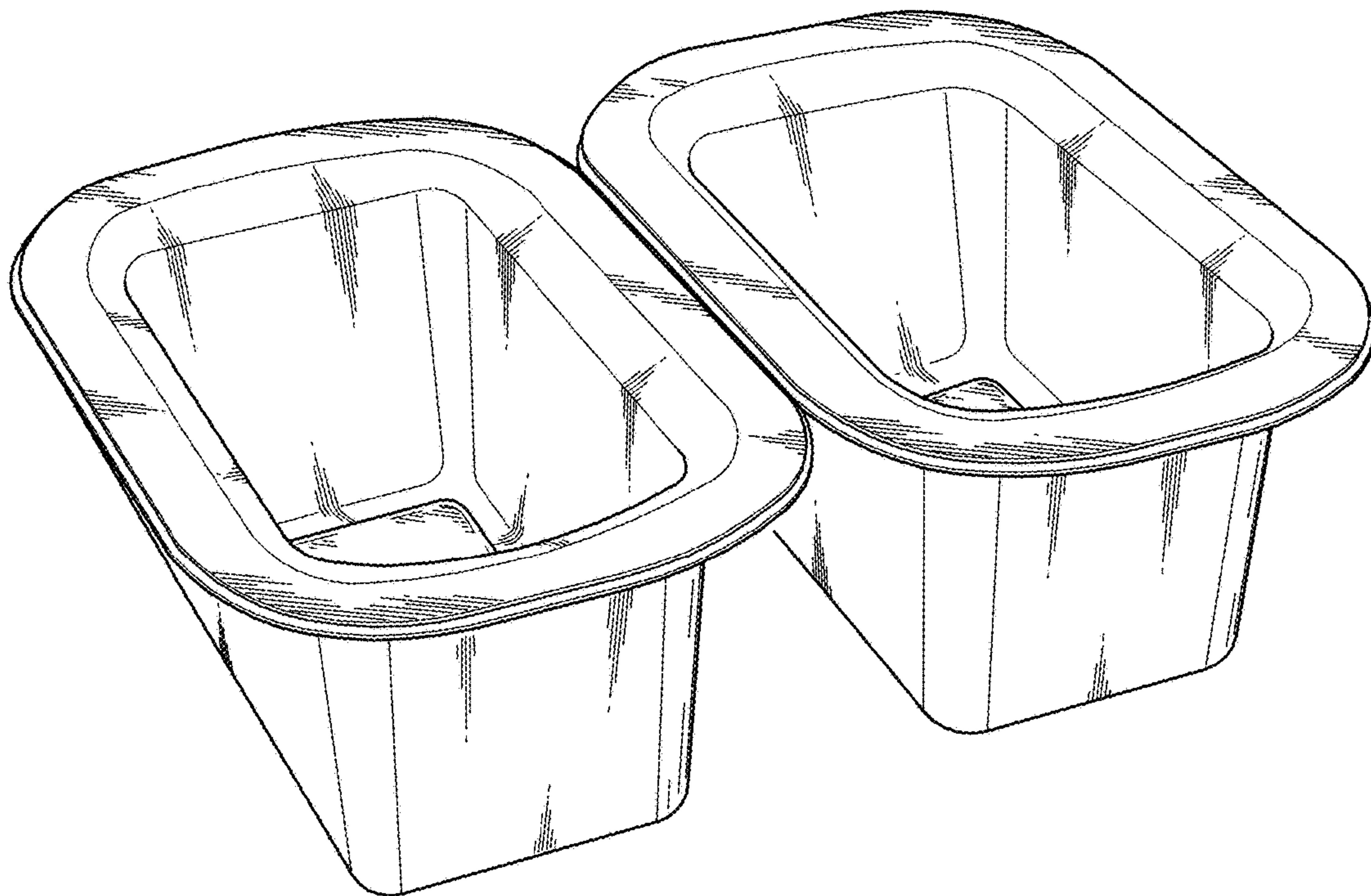


FIG. 2

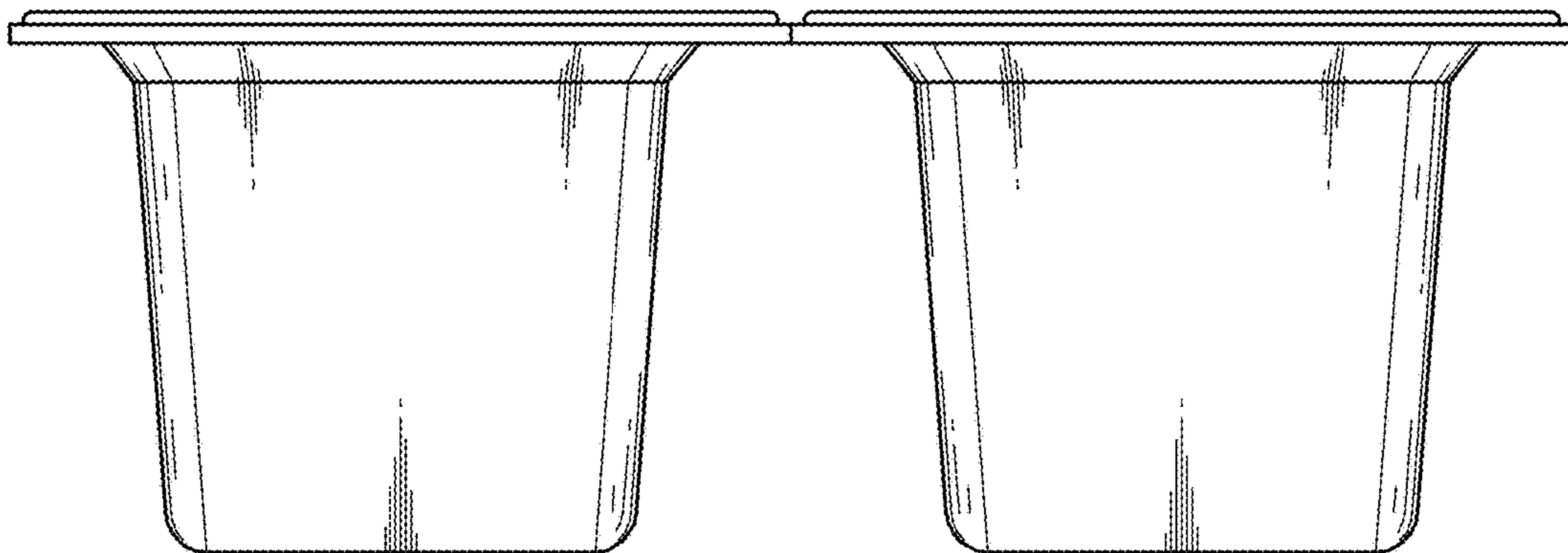


FIG. 3

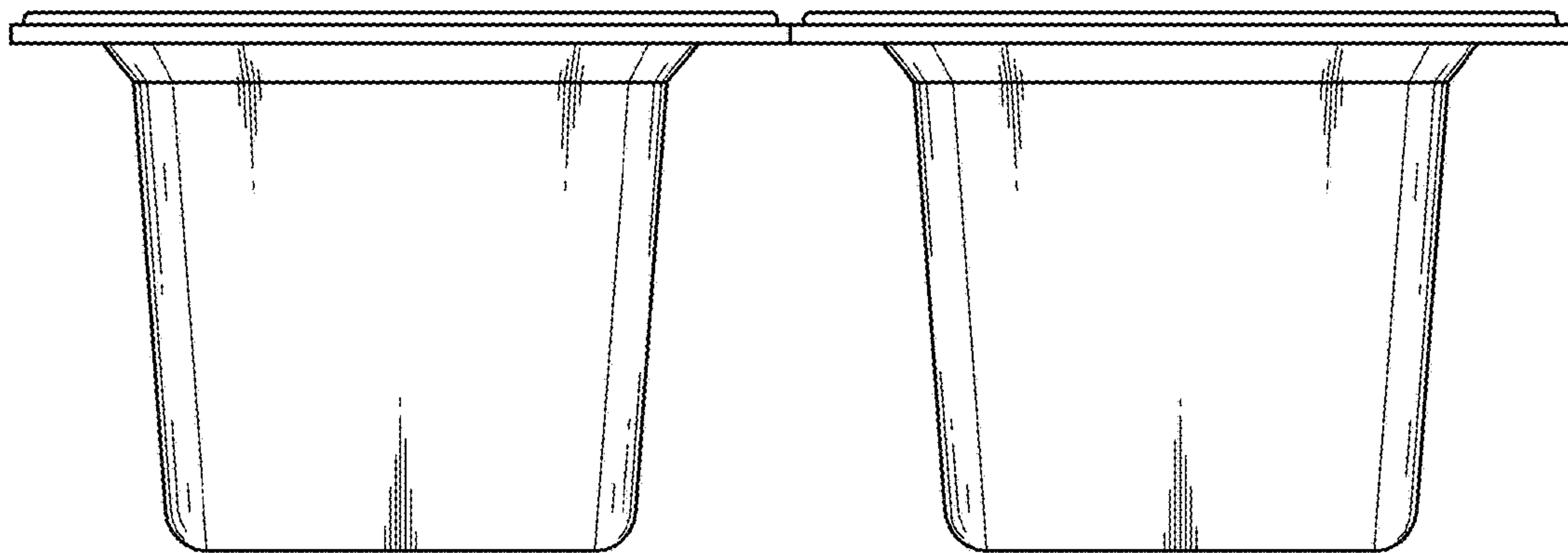


FIG. 4

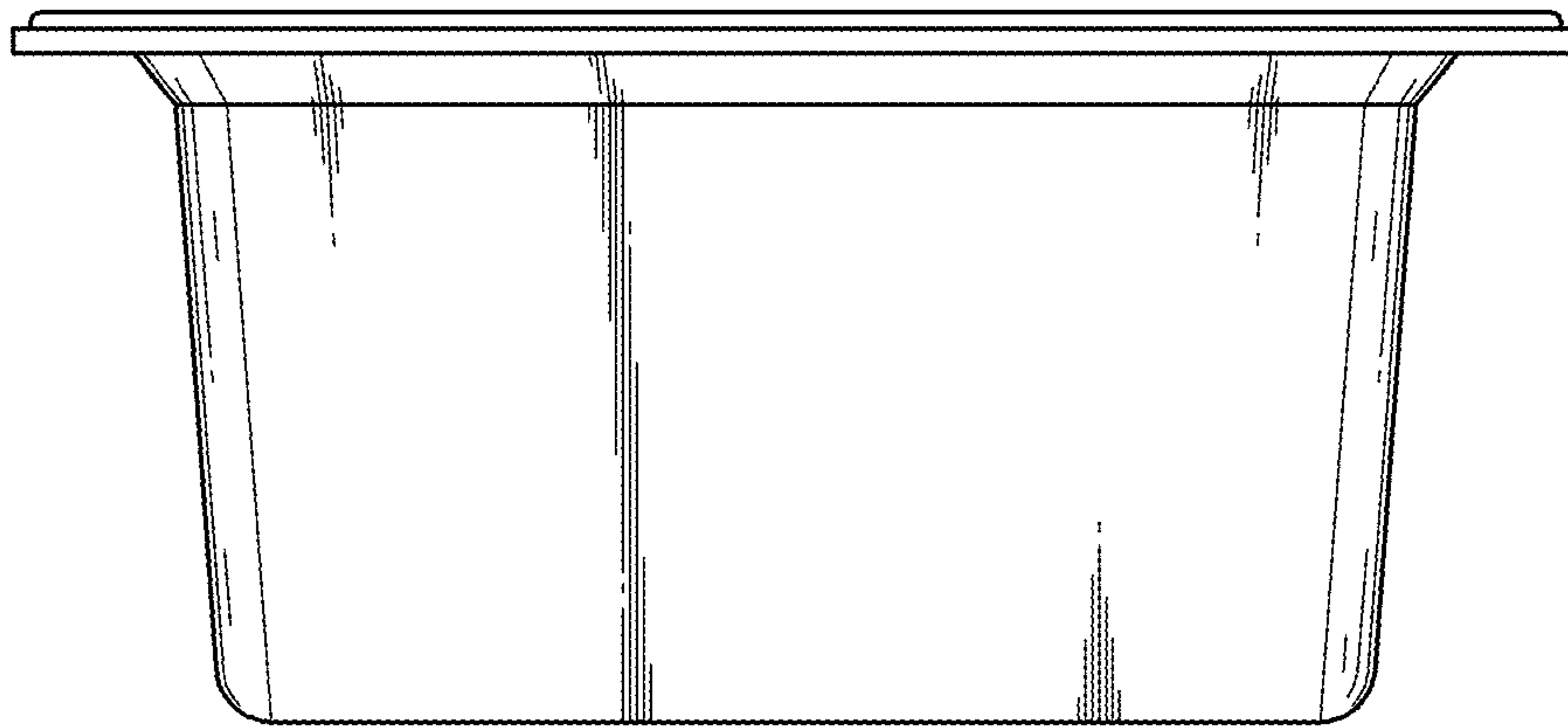


FIG. 5

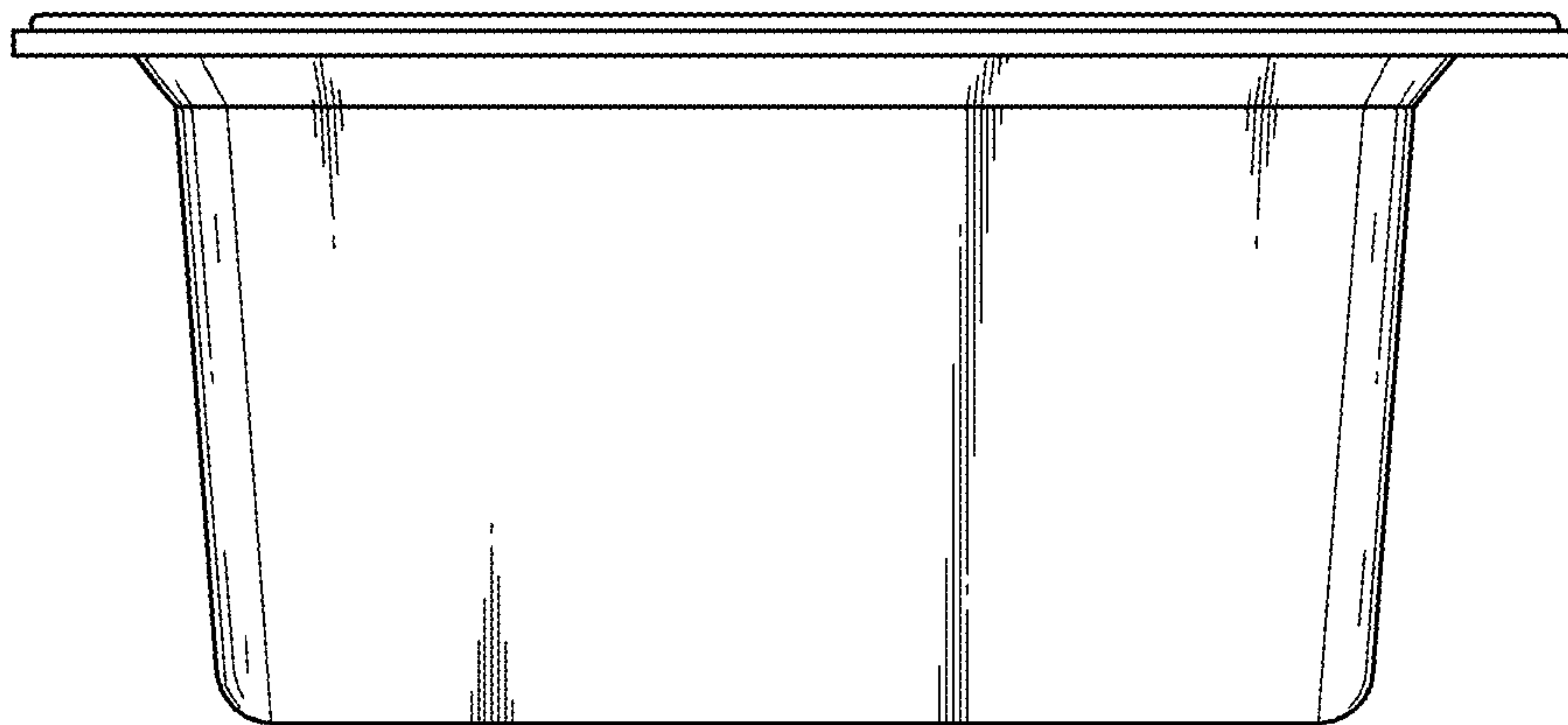


FIG. 6

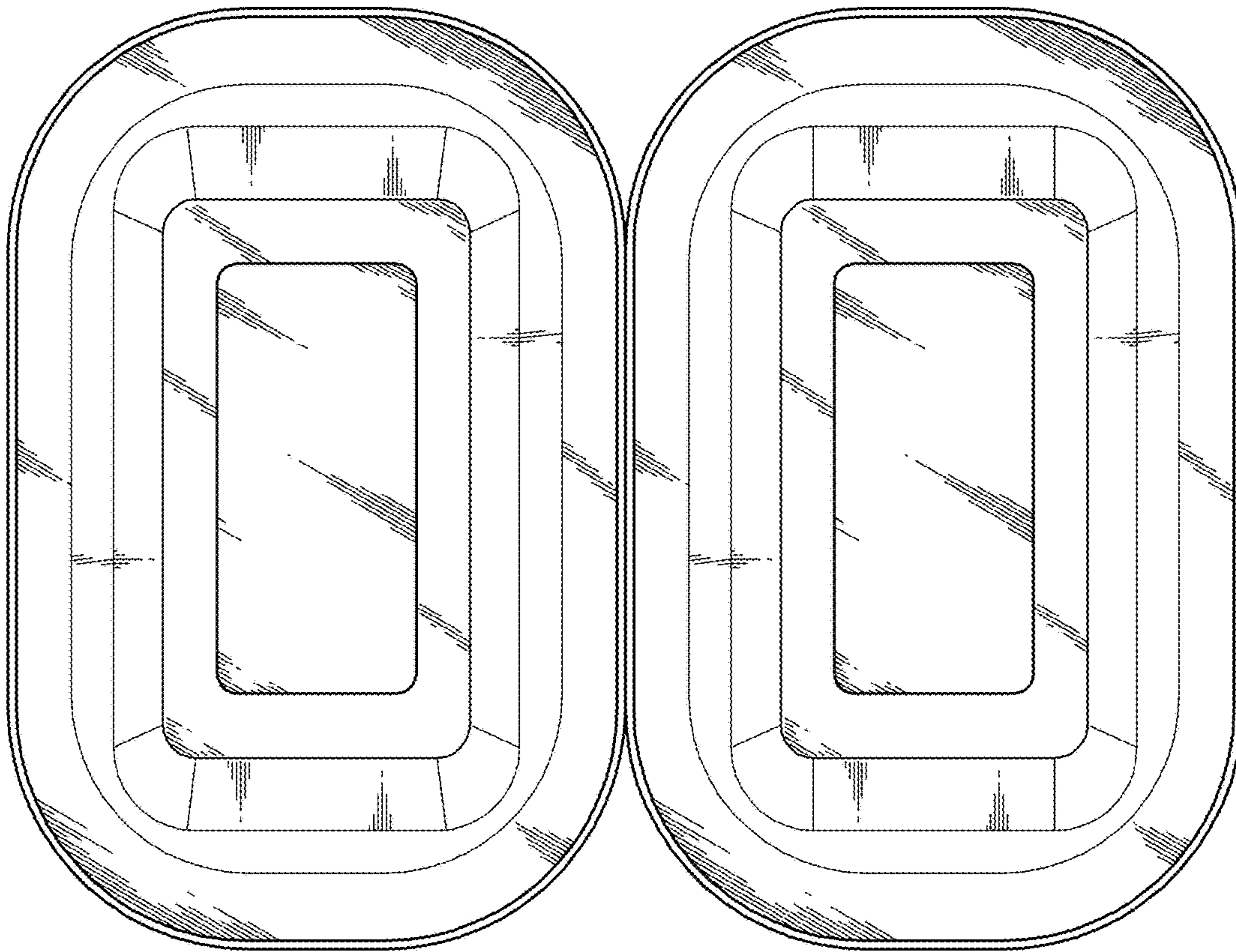


FIG. 7

