



US00D785464S

(12) **United States Design Patent**
Mooney

(10) **Patent No.:** **US D785,464 S**

(45) **Date of Patent:** **** May 2, 2017**

(54) **COMBINATION CANISTER AND BRACKET
HAVING HOLDING FEATURES**

DESCRIPTION

- (71) Applicant: **Professional Disposables International, Inc.**, Orangeburg, NY (US)
- (72) Inventor: **Michael Mooney**, Florida, NY (US)
- (73) Assignee: **PROFESSIONAL DISPOSABLES INTERNATIONAL, INC.**, Orangeburg, NY (US)
- (**) Term: **14 Years**
- (21) Appl. No.: **29/520,705**
- (22) Filed: **Mar. 17, 2015**
- (51) **LOC (10) Cl.** **09-01**
- (52) **U.S. Cl.**
USPC **D9/715; D8/395; D9/575**
- (58) **Field of Classification Search**
USPC **D9/434, 435, 455, 516, 517, 530, 537, D9/538, 540, 541, 543, 549-550, 557,**
(Continued)

FIG. 1 is a perspective view of a canister, according to an embodiment of the disclosed subject matter.
 FIG. 2 is a rear view of the canister of FIG. 1, according to an embodiment of the disclosed subject matter.
 FIG. 3 is a front view of the canister of FIG. 1, according to an embodiment of the disclosed subject matter.
 FIG. 4 is a left side view of the canister of FIG. 1, according to an embodiment of the disclosed subject matter.
 FIG. 5 is a right side view of the canister of FIG. 1, according to an embodiment of the disclosed subject matter.
 FIG. 6 is a top plan view of the canister of FIG. 1, according to an embodiment of the disclosed subject matter.
 FIG. 7 is a bottom plan view of the canister of FIG. 1, according to an embodiment of the disclosed subject matter.
 FIG. 8 is an exploded perspective view of the combination of the canister of FIG. 1 and the bracket of FIG. 19, according to an embodiment of the disclosed subject matter.
 FIG. 9 is an assembled perspective view of the combination of the canister of FIG. 1 and the bracket of FIG. 19, according to an embodiment of the disclosed subject matter.
 FIG. 10 is a perspective view of a canister, according to an embodiment of the disclosed subject matter.
 FIG. 11 is a rear view of the canister of FIG. 10, according to an embodiment of the disclosed subject matter.
 FIG. 12 is a front view of the canister of FIG. 10, according to an embodiment of the disclosed subject matter.
 FIG. 13 is a left side view of the canister of FIG. 10, according to an embodiment of the disclosed subject matter.
 FIG. 14 is a right side view of the canister of FIG. 10, according to an embodiment of the disclosed subject matter.
 FIG. 15 is a top plan view of the canister of FIG. 10, according to an embodiment of the disclosed subject matter.
 FIG. 16 is a bottom plan view of the canister of FIG. 10, according to an embodiment of the disclosed subject matter.
 FIG. 17 is an exploded perspective view of the combination of the canister of FIG. 10 and the bracket of FIG. 19, according to an embodiment of the disclosed subject matter.
 FIG. 18 is an assembled perspective view of the combination of the canister of FIG. 10 and the bracket of FIG. 19, according to an embodiment of the disclosed subject matter.

(Continued)

(56) **References Cited**

U.S. PATENT DOCUMENTS

- D233,385 S * 10/1974 Friedman D14/253
 - D251,684 S * 4/1979 Wood D24/227
- (Continued)

OTHER PUBLICATIONS

U.S. Appl. No. 29/520,713, filed Mar. 17, 2015.
(Continued)

Primary Examiner — Ian Simmons
Assistant Examiner — Keith Frank
(74) *Attorney, Agent, or Firm* — Baker Botts L.L.P.

(57) **CLAIM**

The ornamental design for a combination canister and bracket having holding features, as shown and described.

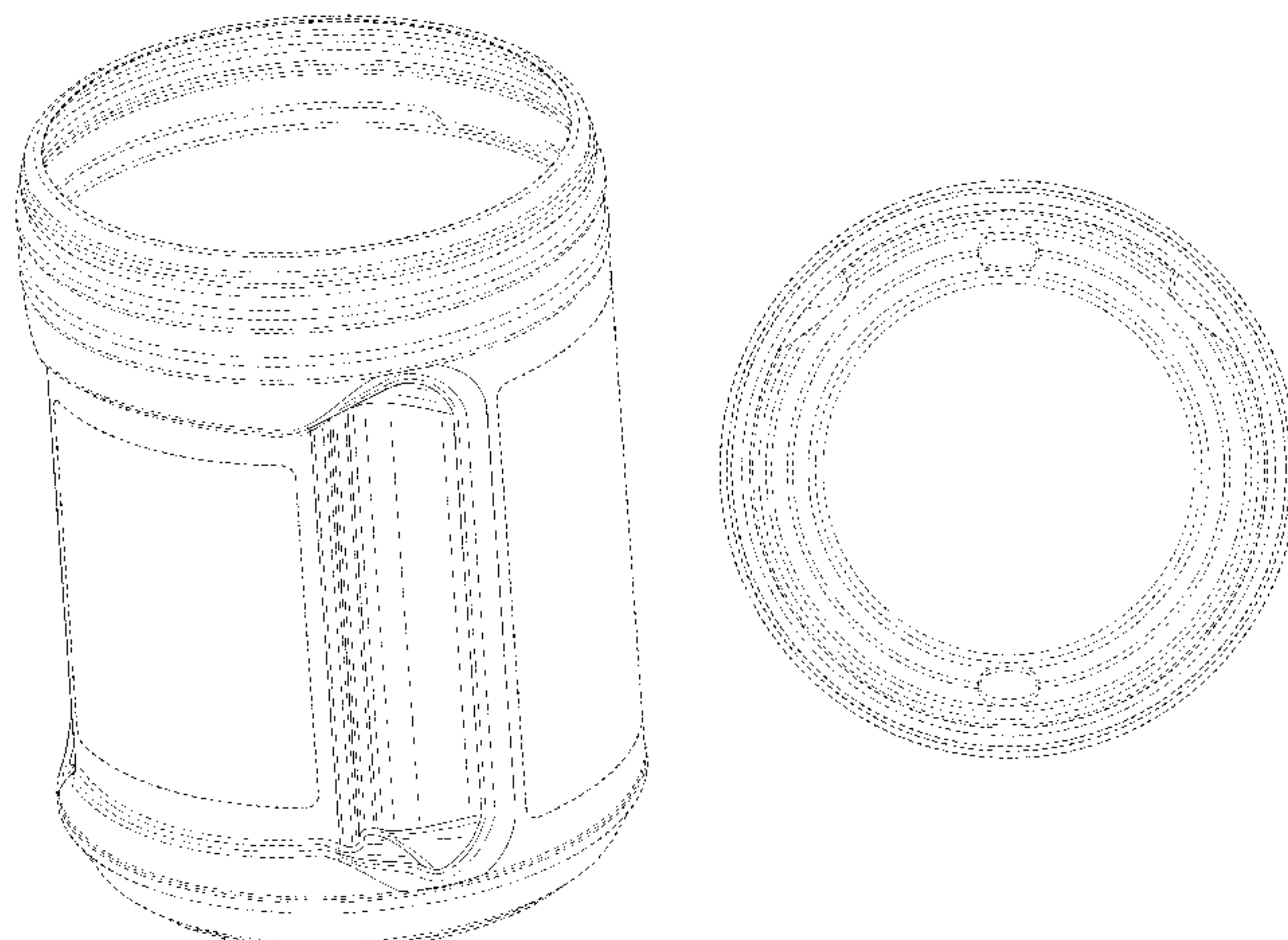


FIG. 19 is a perspective view of a bracket having holding features.

FIG. 20 is a front elevation view of the bracket of FIG. 19.

FIG. 21 is a rear elevation view of the bracket of FIG. 19.

FIG. 22 is a right side elevation view of the bracket of FIG. 19.

FIG. 23 is a left side elevation view of the bracket of FIG. 19.

FIG. 24 is a top plan view of the bracket of FIG. 19.

FIG. 25 is a bottom plan view of the bracket of FIG. 19.

FIG. 26 is a detailed perspective view of an upper edge of FIG. 19, as represented by the dot-dash-dot line of FIG. 19.

FIG. 27 is a detailed perspective view of a lower edge of FIG. 19, as represented by the dot-dash-dot line of FIG. 19.

FIG. 28 is a detailed plan view of the upper edge in top plan view, as represented by the dot-dash-dot line of FIG. 24; and,

FIG. 29 is a detailed plan view of the lower edge in bottom plan view, as represented by the dot-dash-dot line of FIG. 25.

The broken lines in the drawings illustrate the portions of the combination canister and bracket having holding features that form no part of the Claim.

1 Claim, 29 Drawing Sheets

(58) **Field of Classification Search**

USPC D9/575, 715, 718, 722, 734; D7/601, D7/602, 612, 615, 629, 630; D8/354, D8/380, 382, 394, 396; D29/130; D24/128

CPC B65D 23/00; B65D 23/106; B65D 2543/00092; B65D 2543/00351; B65D 25/2897

See application file for complete search history.

(56) **References Cited**

U.S. PATENT DOCUMENTS

4,345,704 A * 8/1982 Boughton B62J 11/00 220/480
 D284,941 S * 8/1986 Porteous D9/418
 D329,963 S * 10/1992 Schneider D7/387
 D331,462 S 12/1992 Kraus et al.
 5,251,777 A * 10/1993 McMahan B62J 11/00 220/480
 D347,735 S 6/1994 Ziaylek, Jr. et al.
 D371,293 S 7/1996 Schoenmeyr
 D377,756 S * 2/1997 Beardsley D9/503
 5,598,941 A 2/1997 Semersky et al.
 5,806,669 A * 9/1998 Kim B65D 83/285 206/228
 D417,612 S 12/1999 Jones
 D420,587 S * 2/2000 Cheng D9/434
 6,059,245 A * 5/2000 Hermansen B62J 11/00 248/311.2
 D429,152 S * 8/2000 Lane D9/434

6,231,019 B1 5/2001 Broste
 D444,069 S * 6/2001 Bansal D9/434
 D448,672 S * 10/2001 Cheng D9/530
 D448,674 S * 10/2001 Mooney D9/540
 D472,813 S * 4/2003 Wright D9/530
 D473,142 S 4/2003 Beaver
 D480,312 S 10/2003 Mungur et al.
 D530,617 S 10/2006 Little et al.
 D538,663 S 3/2007 Kamineni et al.
 D586,223 S * 2/2009 Little D9/531
 D625,194 S * 10/2010 Thierjung D9/540
 D627,612 S * 11/2010 Falk D7/619.1
 D636,266 S * 4/2011 Walker D9/455
 8,128,045 B2 3/2012 Skaggs
 D663,624 S * 7/2012 Eble D9/538
 8,313,005 B2 * 11/2012 Scarola B65D 23/102 215/382
 D702,832 S * 4/2014 Hadley D24/128
 D704,900 S * 5/2014 Childs D29/130
 8,720,841 B2 * 5/2014 Morren F16B 2/10 248/229.2
 D711,776 S 8/2014 Iannello et al.
 8,973,880 B2 3/2015 Goffman
 D727,656 S 4/2015 Lim
 D730,163 S 5/2015 Wu
 D739,612 S 9/2015 Kronebusch
 D742,213 S 11/2015 Sasanecki
 9,212,784 B2 * 12/2015 Frenal F17C 13/084
 D750,476 S 3/2016 Huang
 D750,773 S * 3/2016 Eaton D24/128
 2003/0057335 A1 3/2003 Roberts
 2004/0168996 A1 9/2004 Jones
 2006/0207963 A1 9/2006 Little et al.
 2007/0152120 A1 7/2007 Hostetler
 2011/0042537 A1 2/2011 Fahldiek
 2013/0043368 A1 2/2013 Hill

OTHER PUBLICATIONS

U.S. Appl. No. 29/520,730, filed Mar. 17, 2015.
 U.S. Appl. No. 29/520,713, Mar. 22, 2016 Restriction Requirement Filed.
 U.S. Appl. No. 29/520,730, Apr. 11, 2016 Non-Final Office Action.
 U.S. Appl. No. 29/520,713, Jun. 30, 2016 Non-Final Office Action.
 U.S. Appl. No. 29/520,713, Apr. 29, 2016 Response to Restriction Requirement.
 U.S. Appl. No. 29/520,730, Jul. 7, 2016 Response to Non-Final Office Action.
 AutoZone. Ford Aspire 1994-1998 Repair Guide. 1998. Retrieved on [Sep. 28, 2016]. Retrieved from <URL: <http://www.autozone.com/repairguides/Ford-Aspire-1994-1998-RepairGuide/EMIS-SION-CONTROLS/Evaporative-Emission-Controls//P0900c15280079a8c>>; figures 3, 12; p. 5, "Removal and Installation".
 International Search Report and Written Opinion mailed Apr. 7, 2016 in International Application No. PCT/US16/014907.
 U.S. Appl. No. 29/520,713, Dec. 8, 2016 Notice of Allowance.
 U.S. Appl. No. 29/520,713, Sep. 30, 2016 Response to Non-Final Office Action.
 U.S. Appl. No. 29/520,730, Dec. 7, 2016 Response after Final Action.
 U.S. Appl. No. 29/520,730, Oct. 7, 2016 Final Office Action.

* cited by examiner

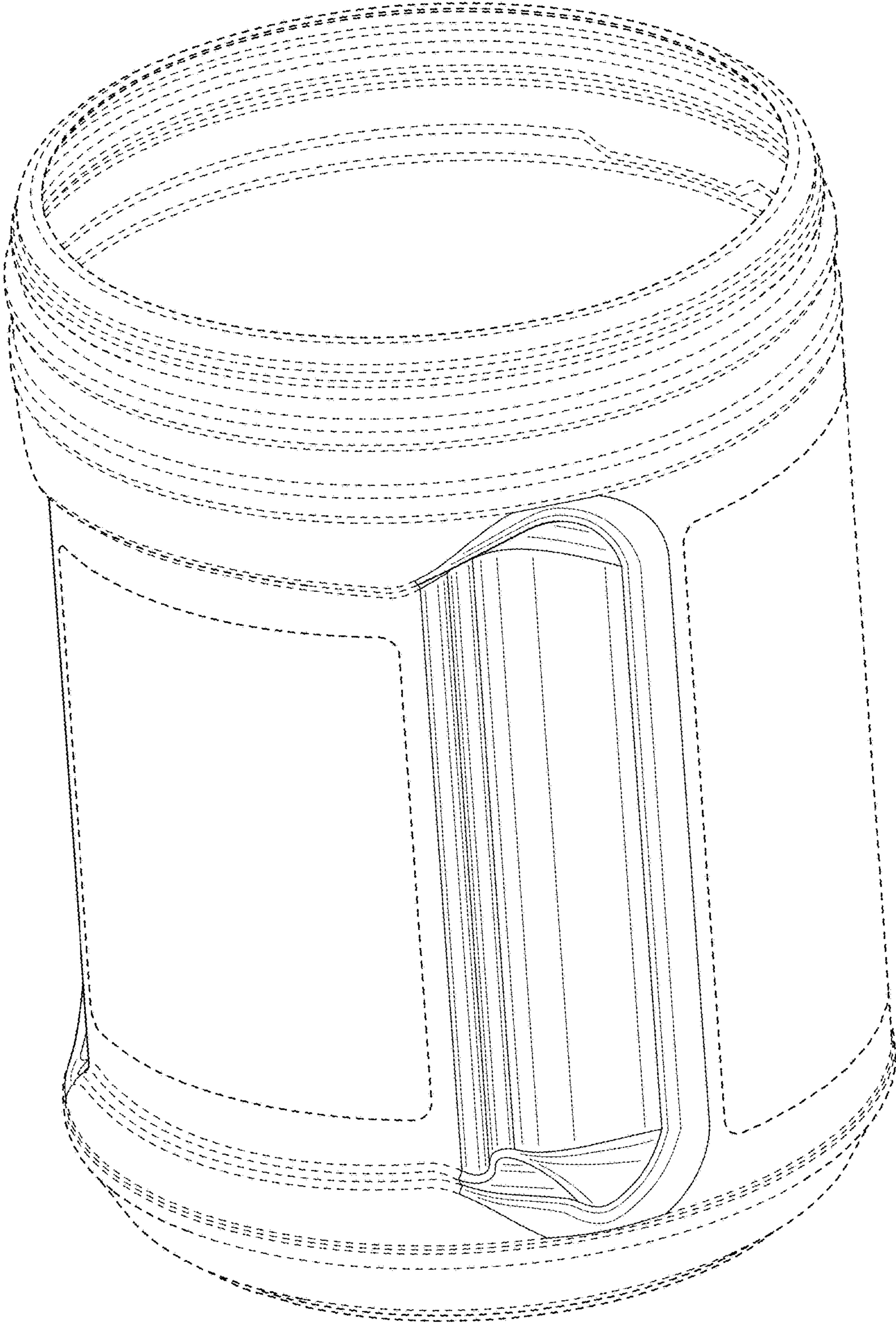


FIG. 1

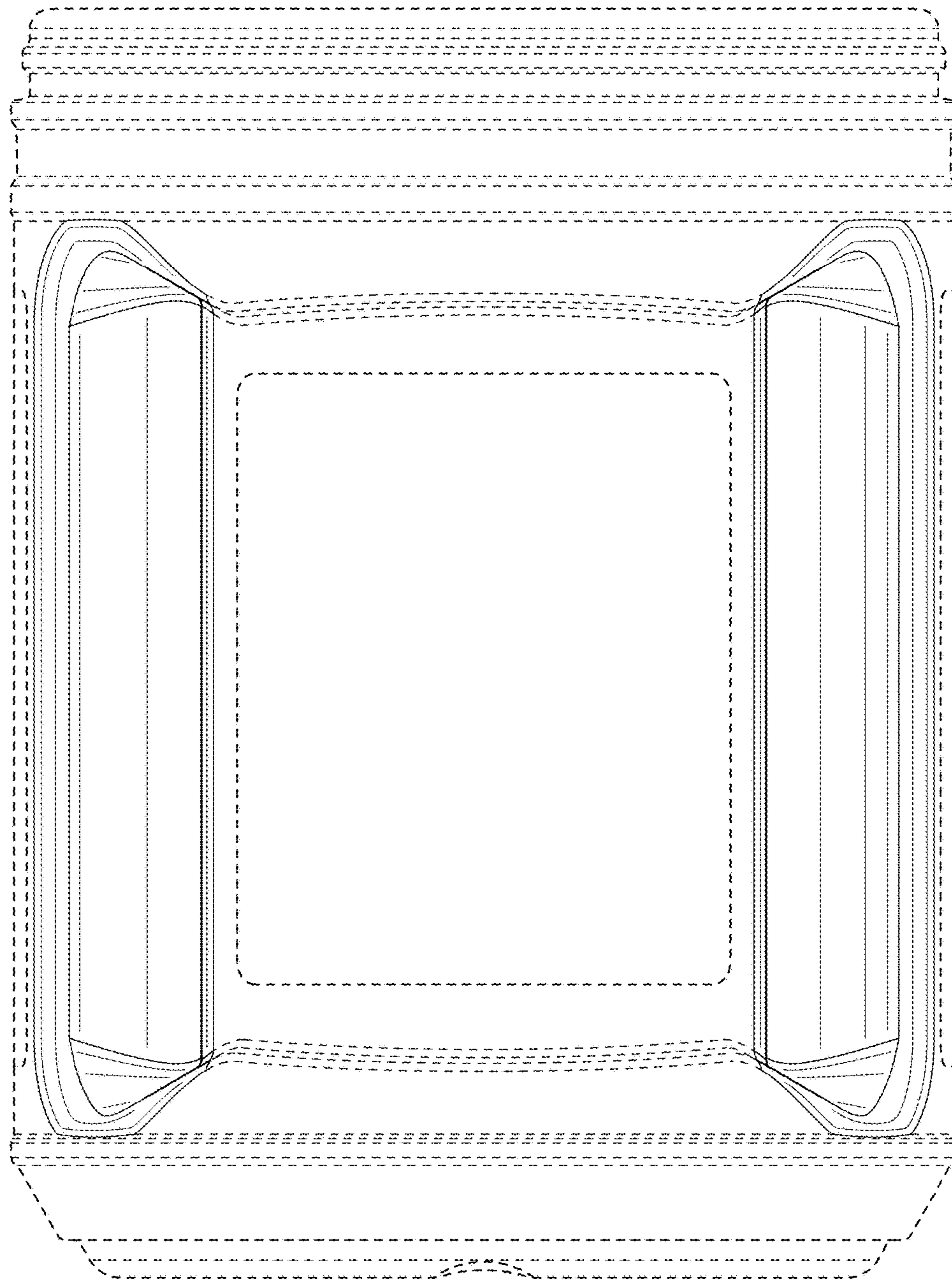


FIG. 2

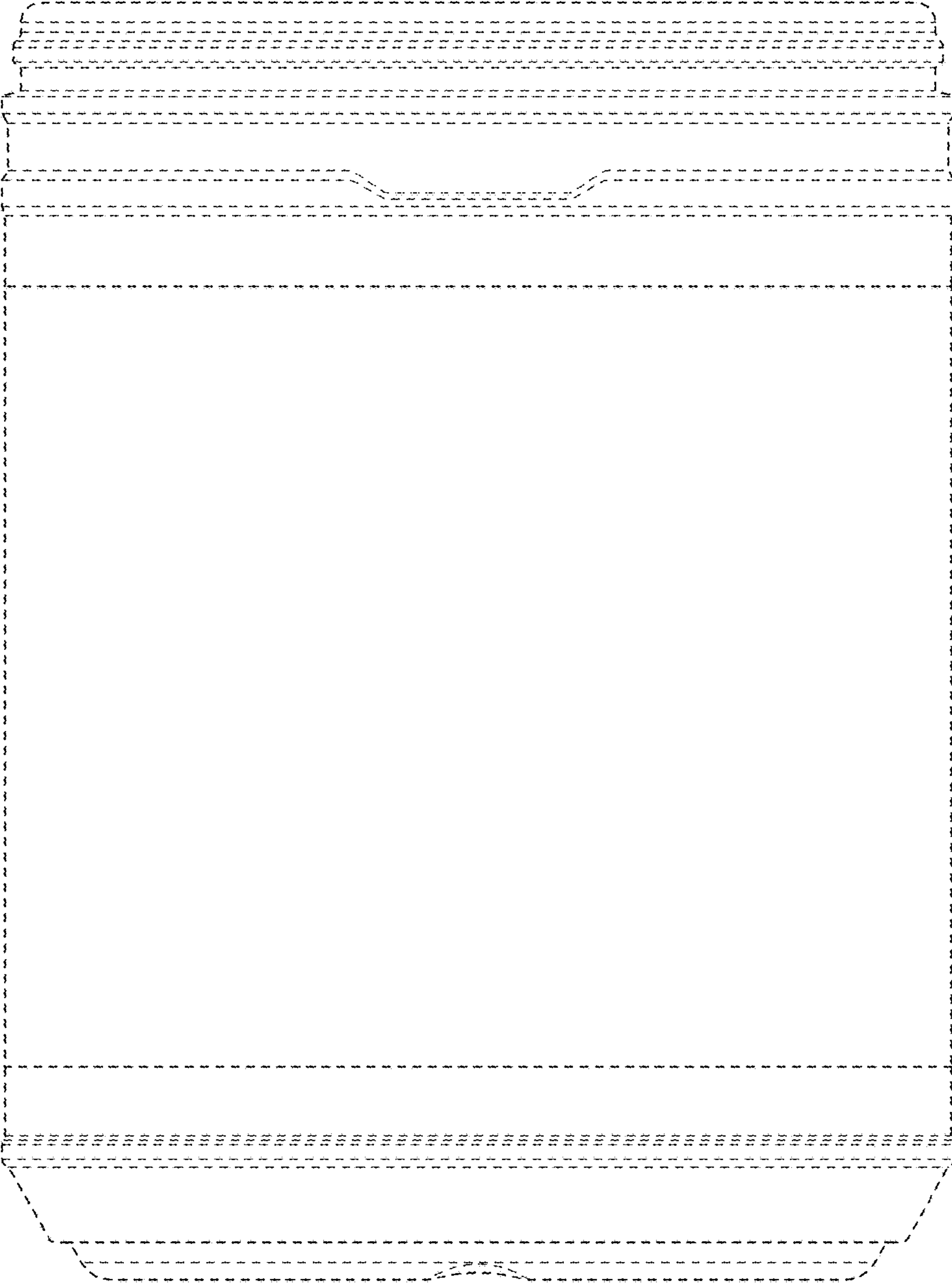


FIG. 3

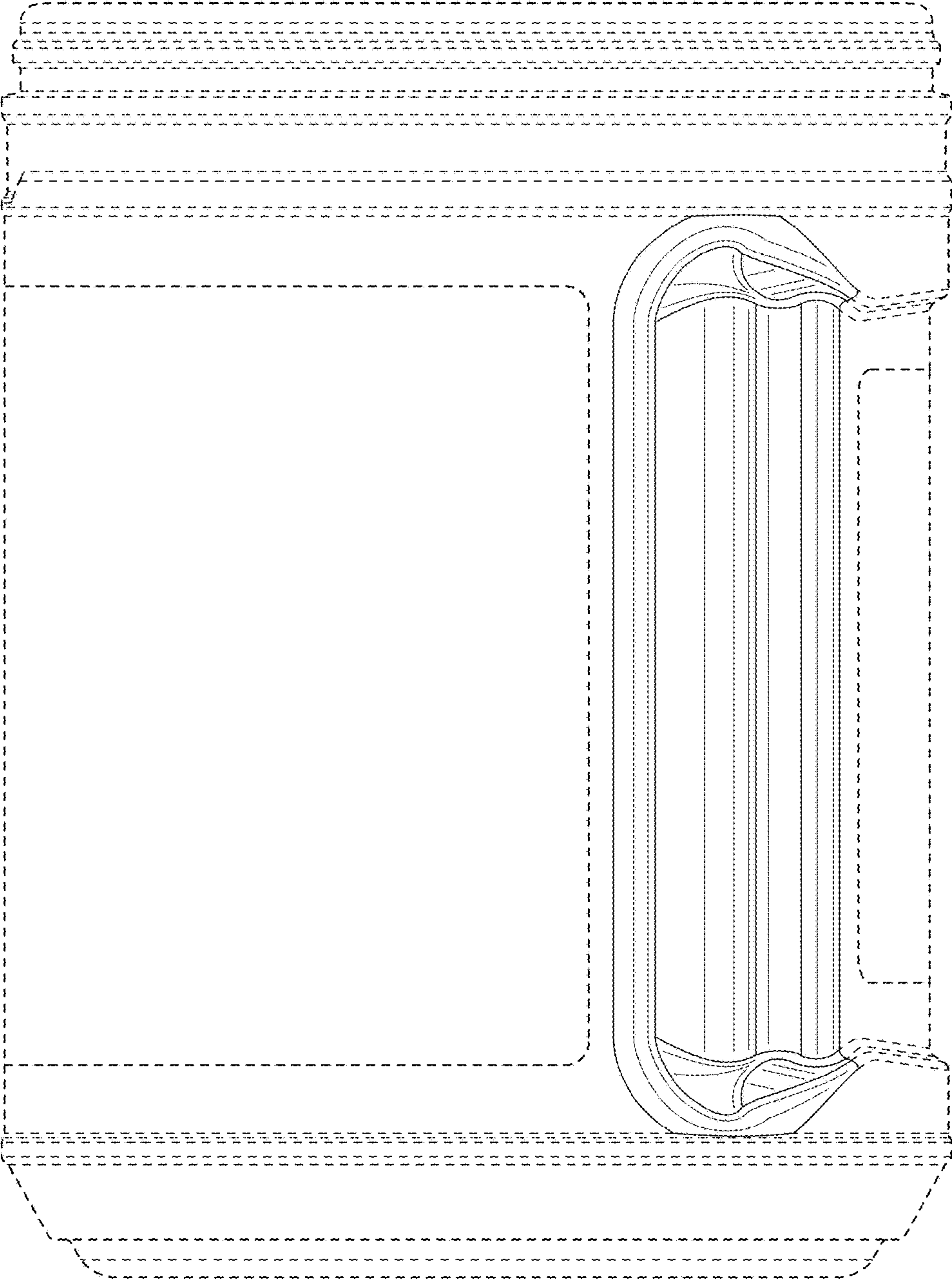


FIG. 4

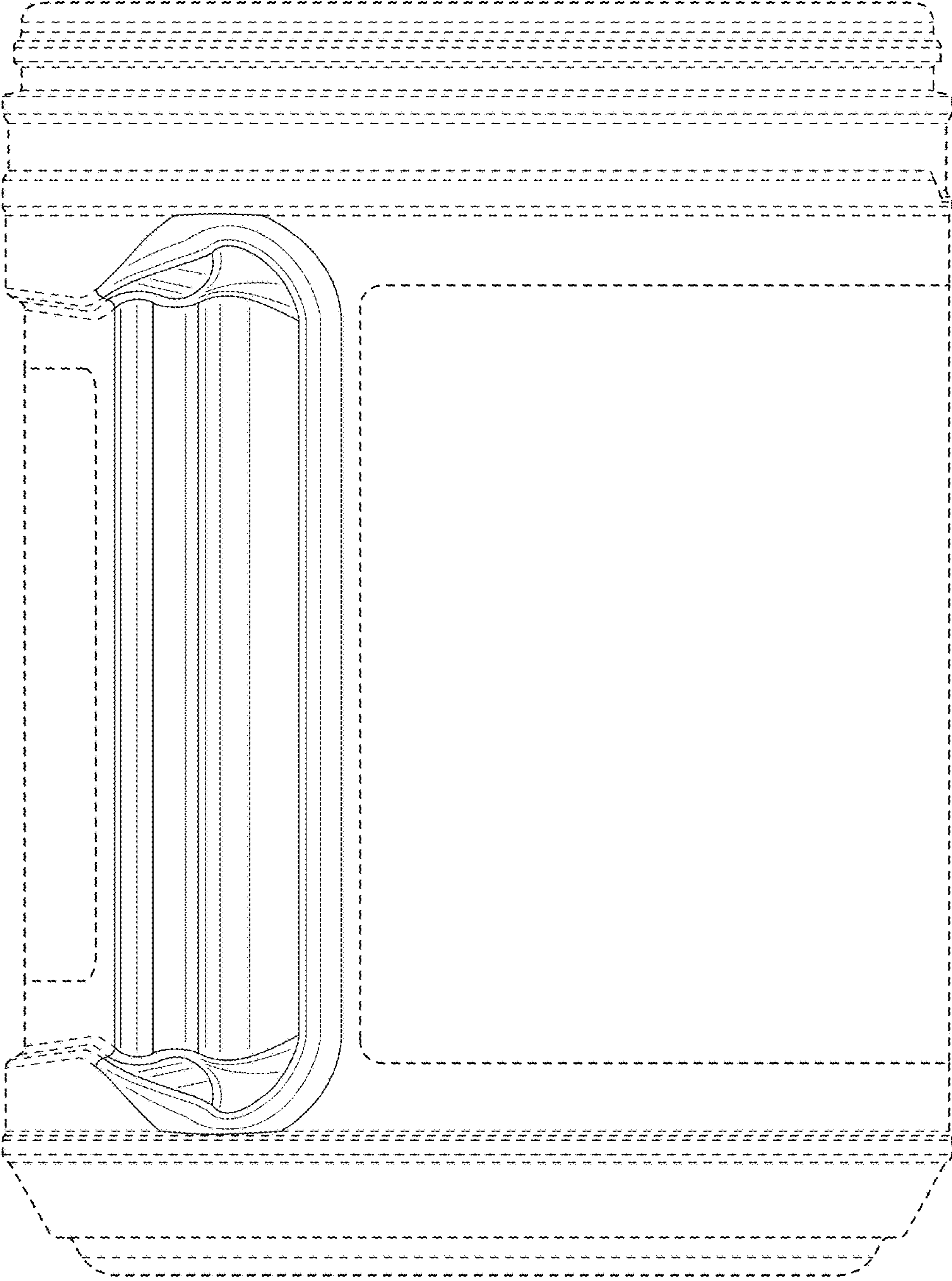


FIG. 5

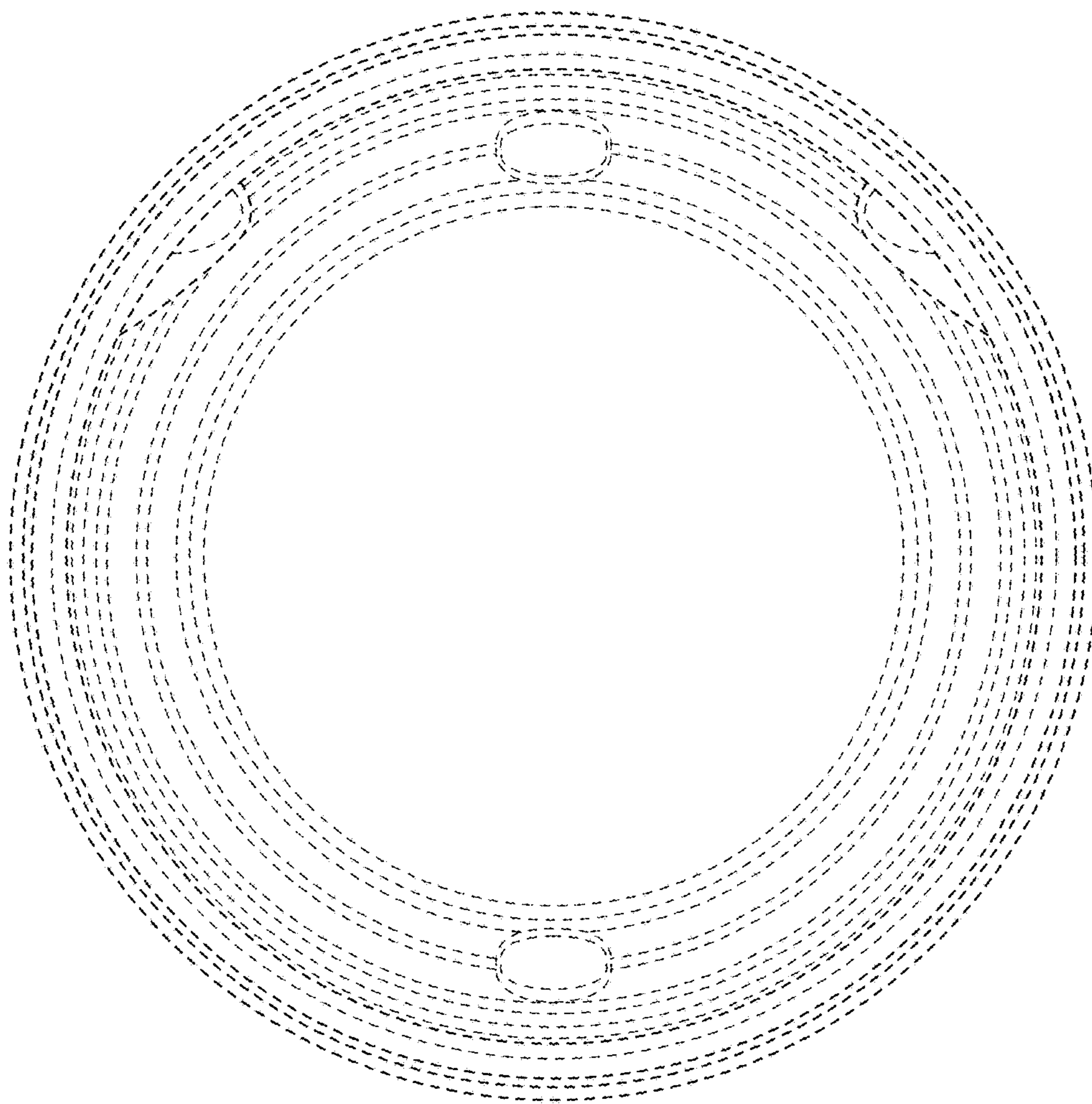


FIG. 6

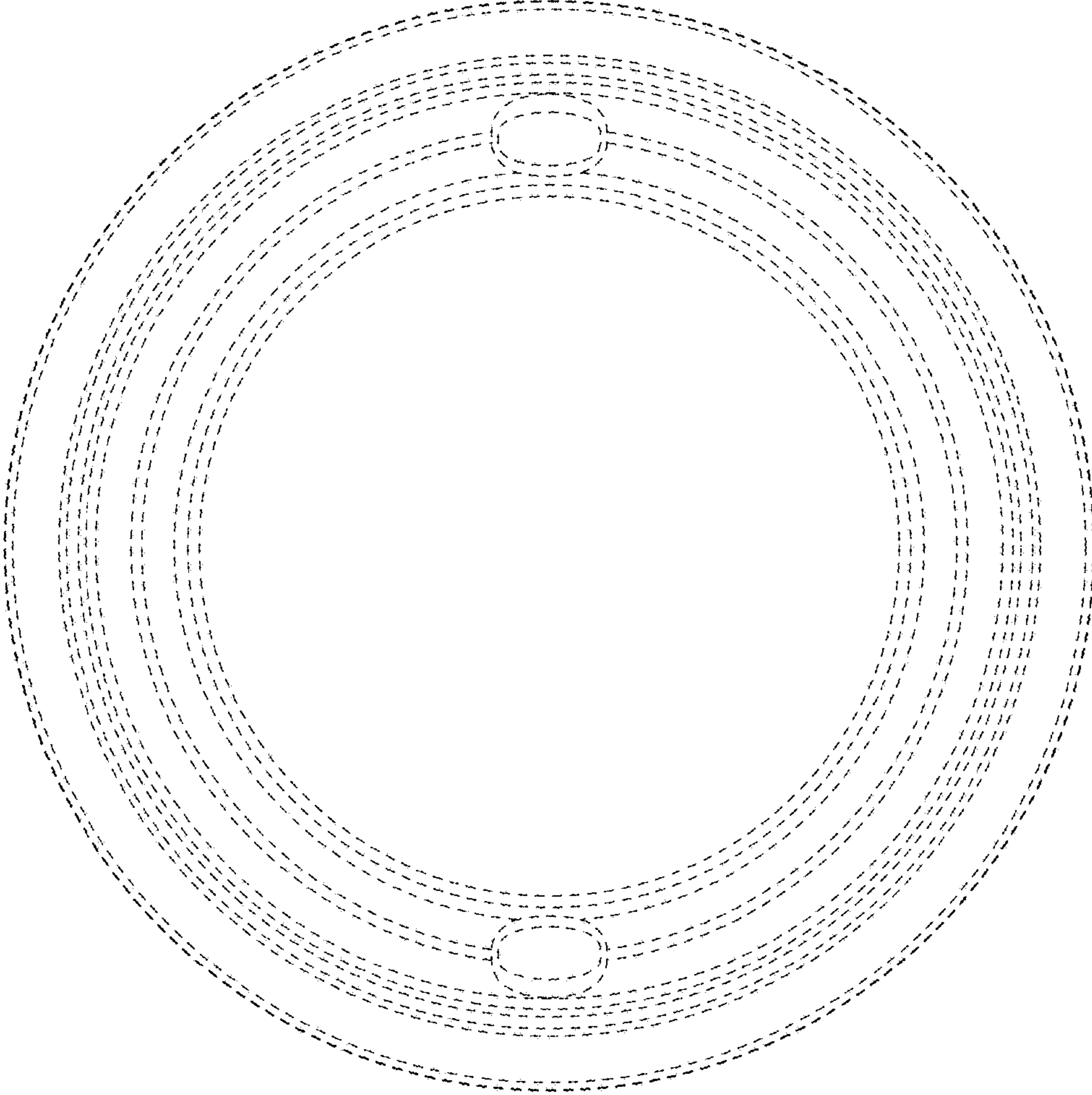


FIG. 7

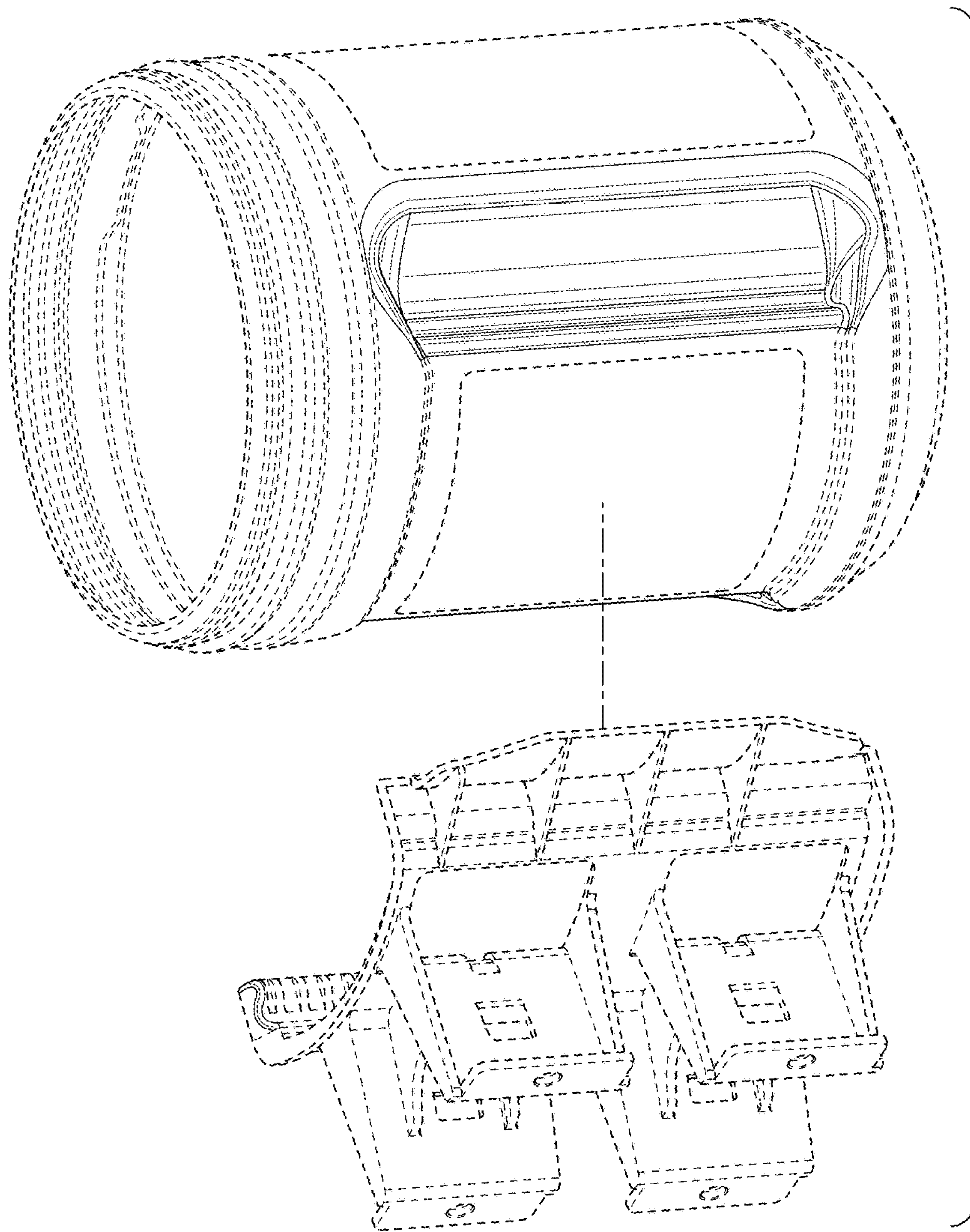


FIG. 8

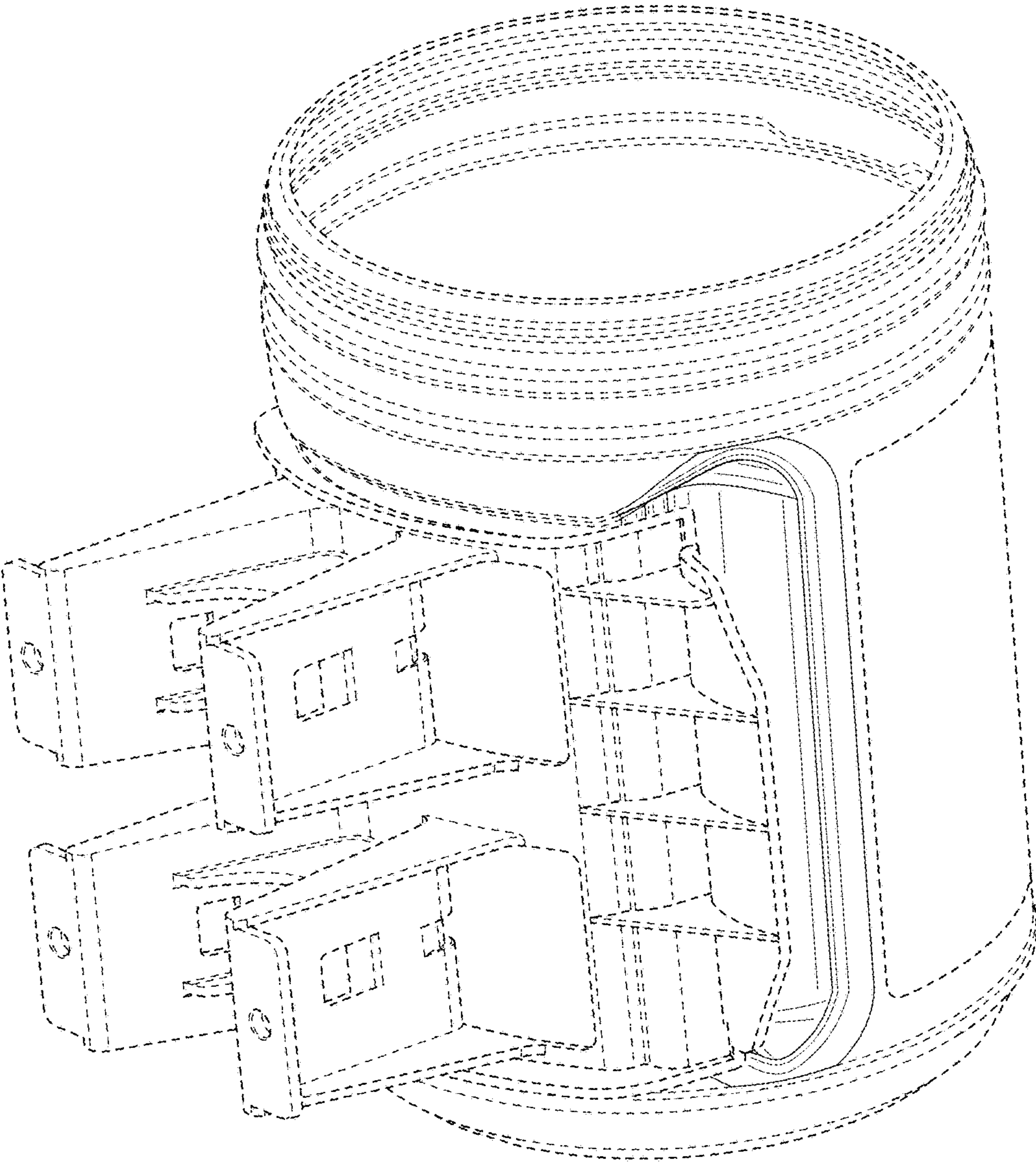


FIG. 9

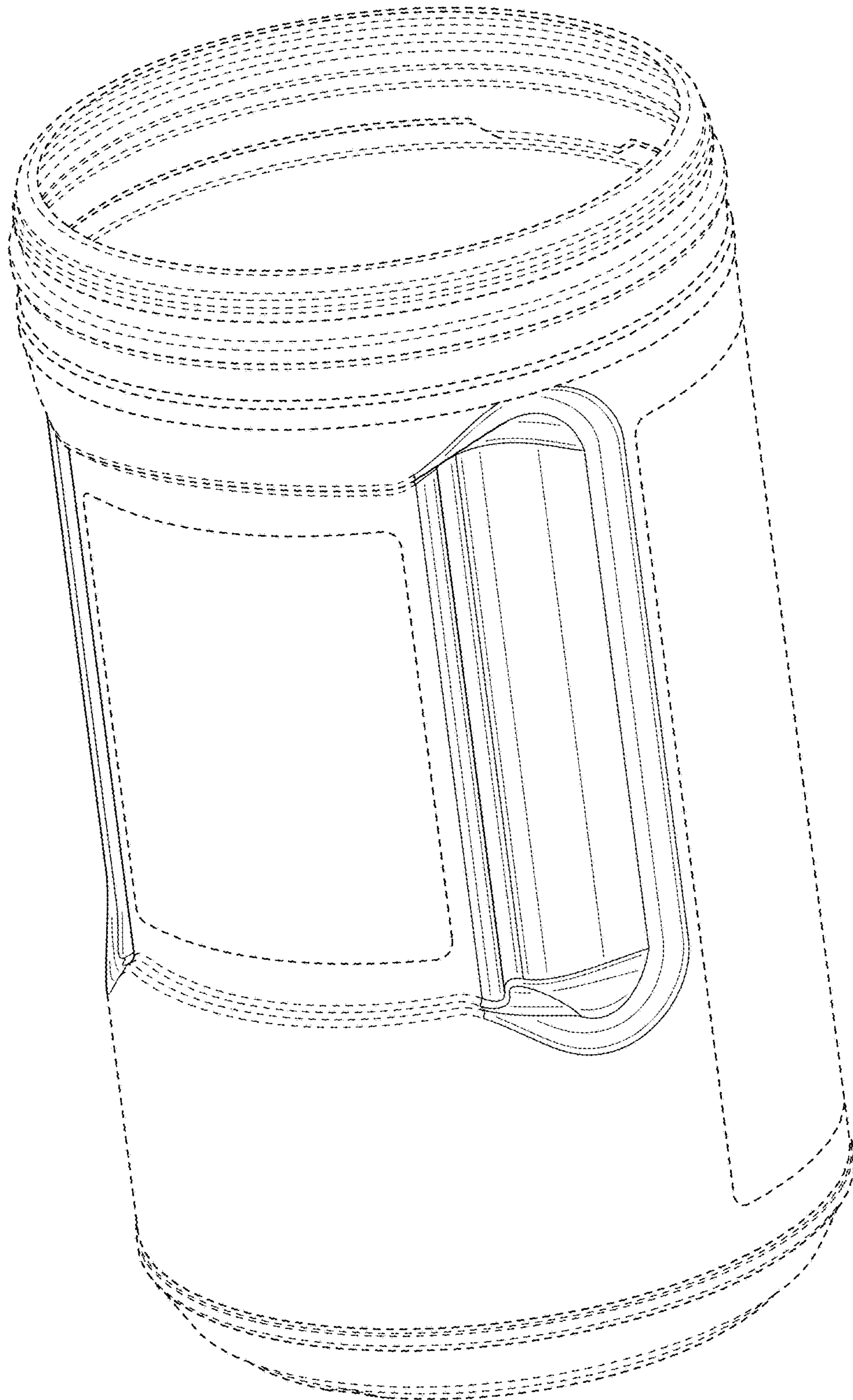


FIG. 10

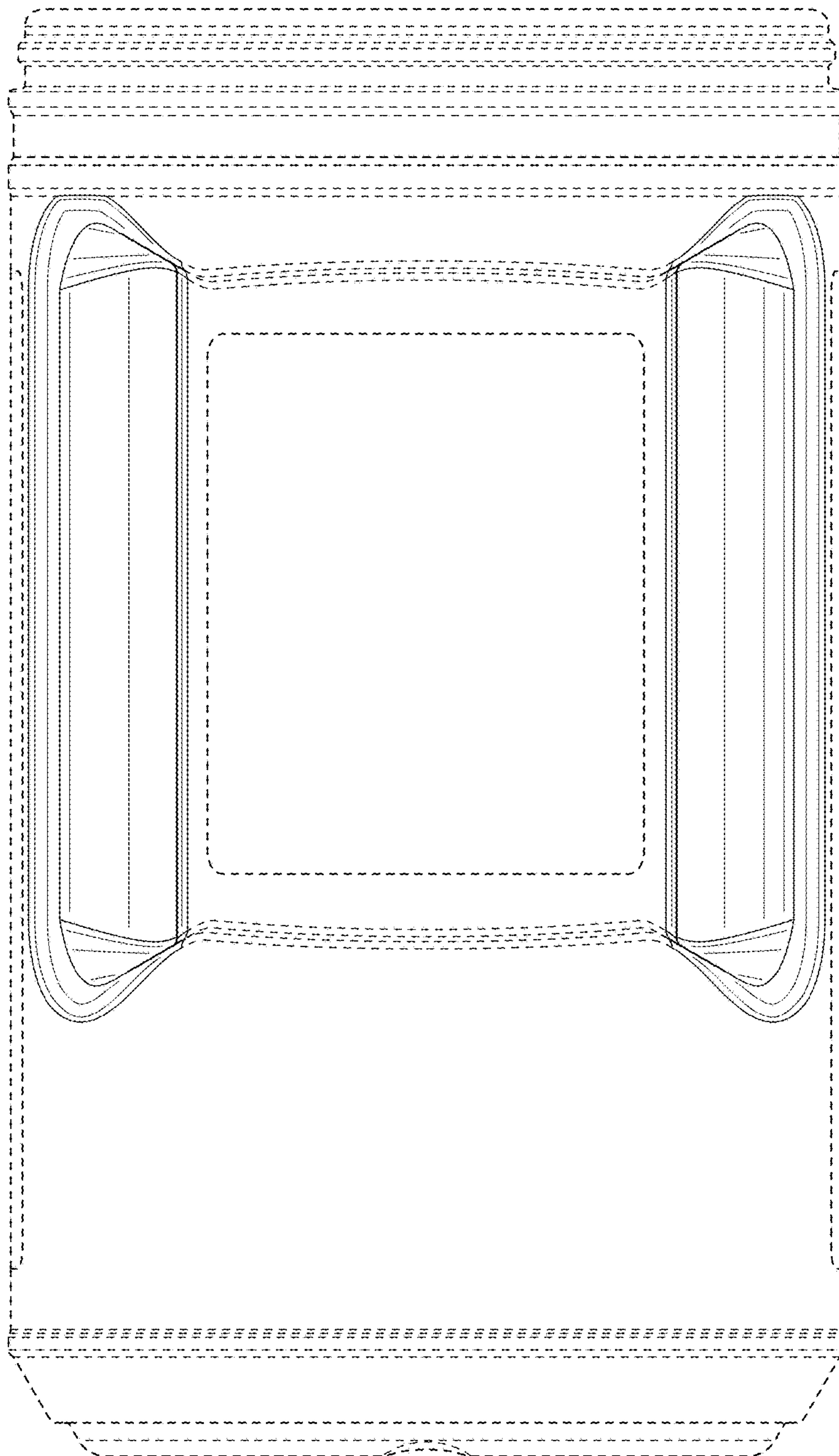


FIG. 11

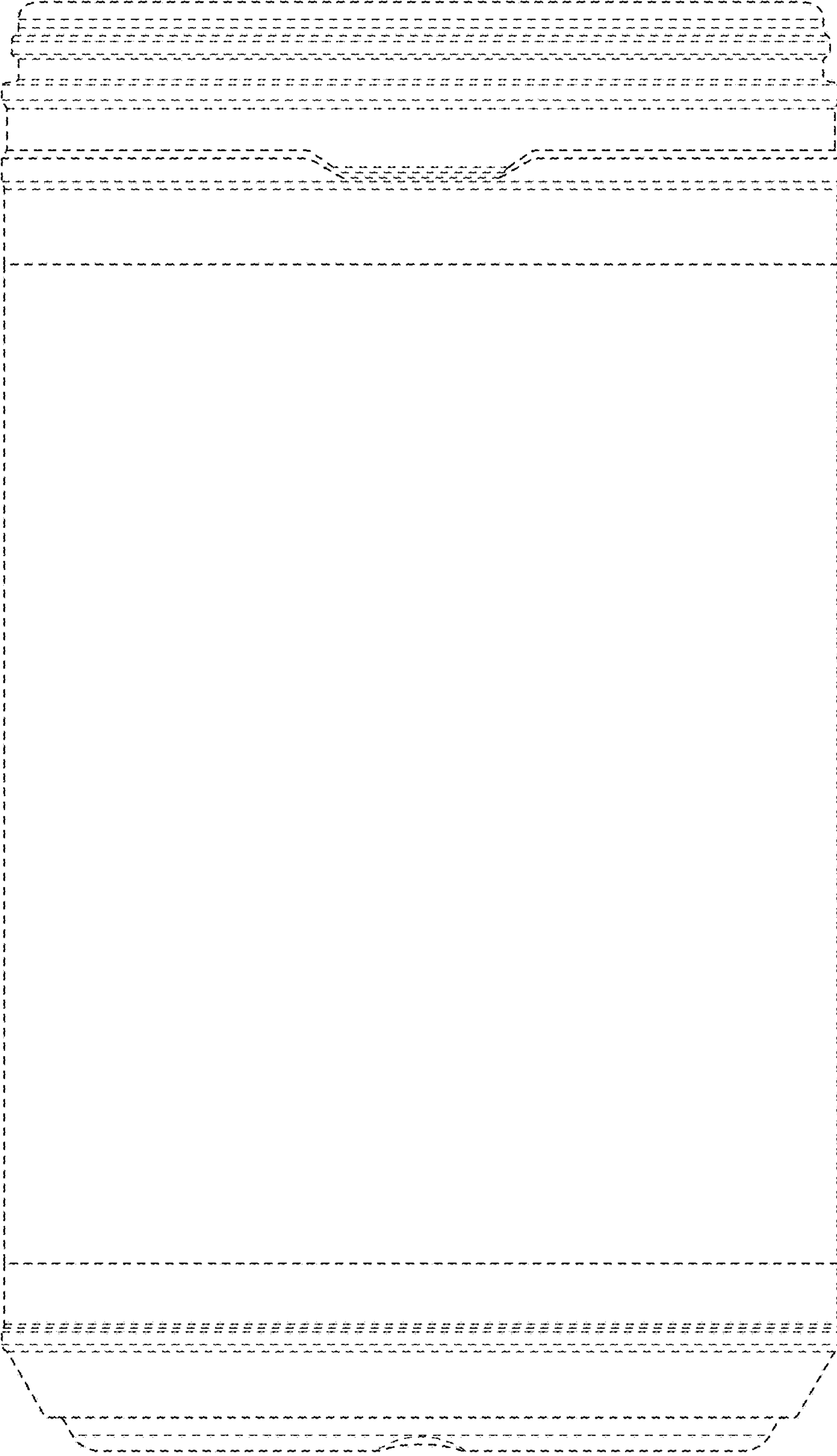


FIG. 12

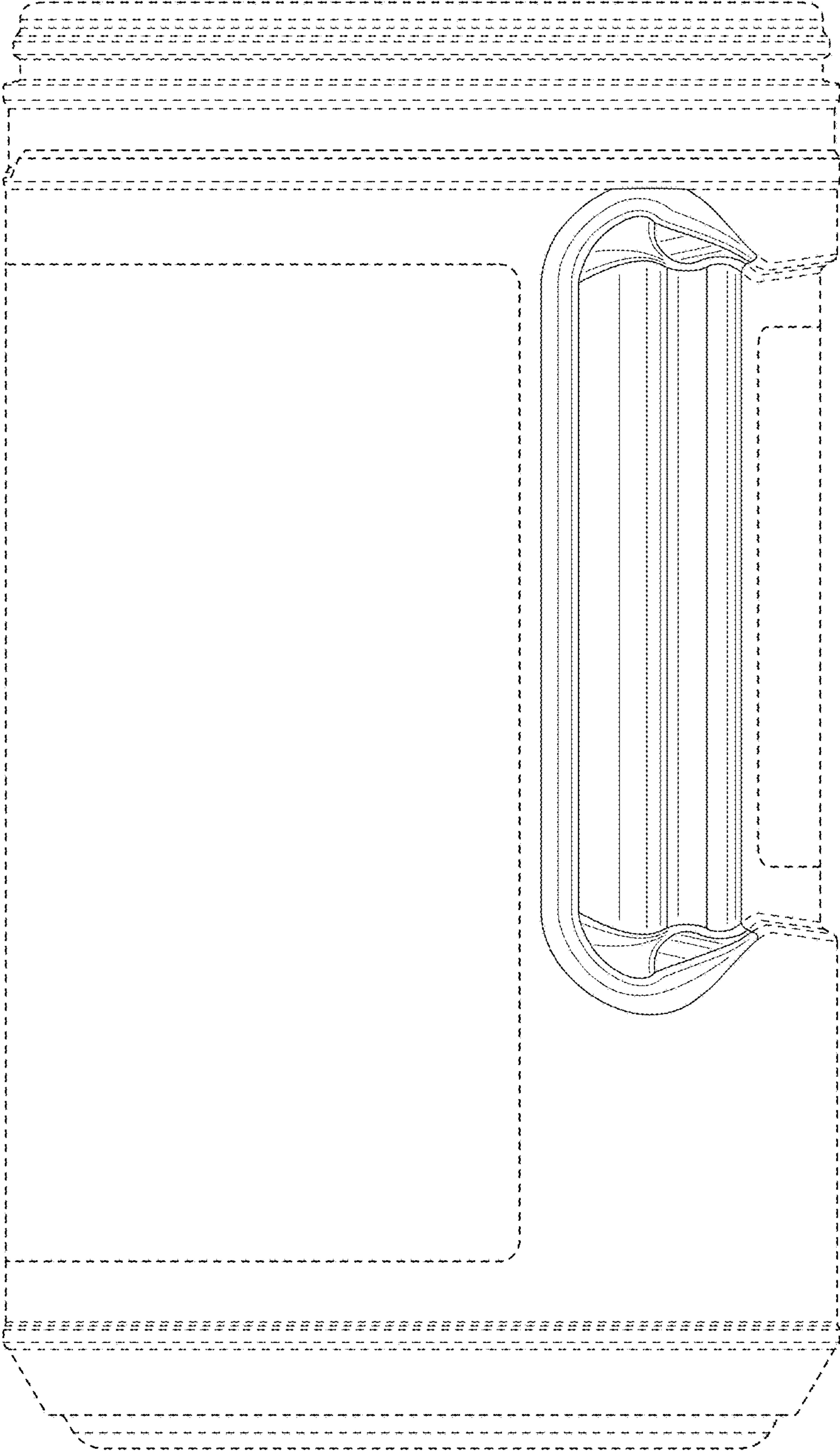


FIG. 13

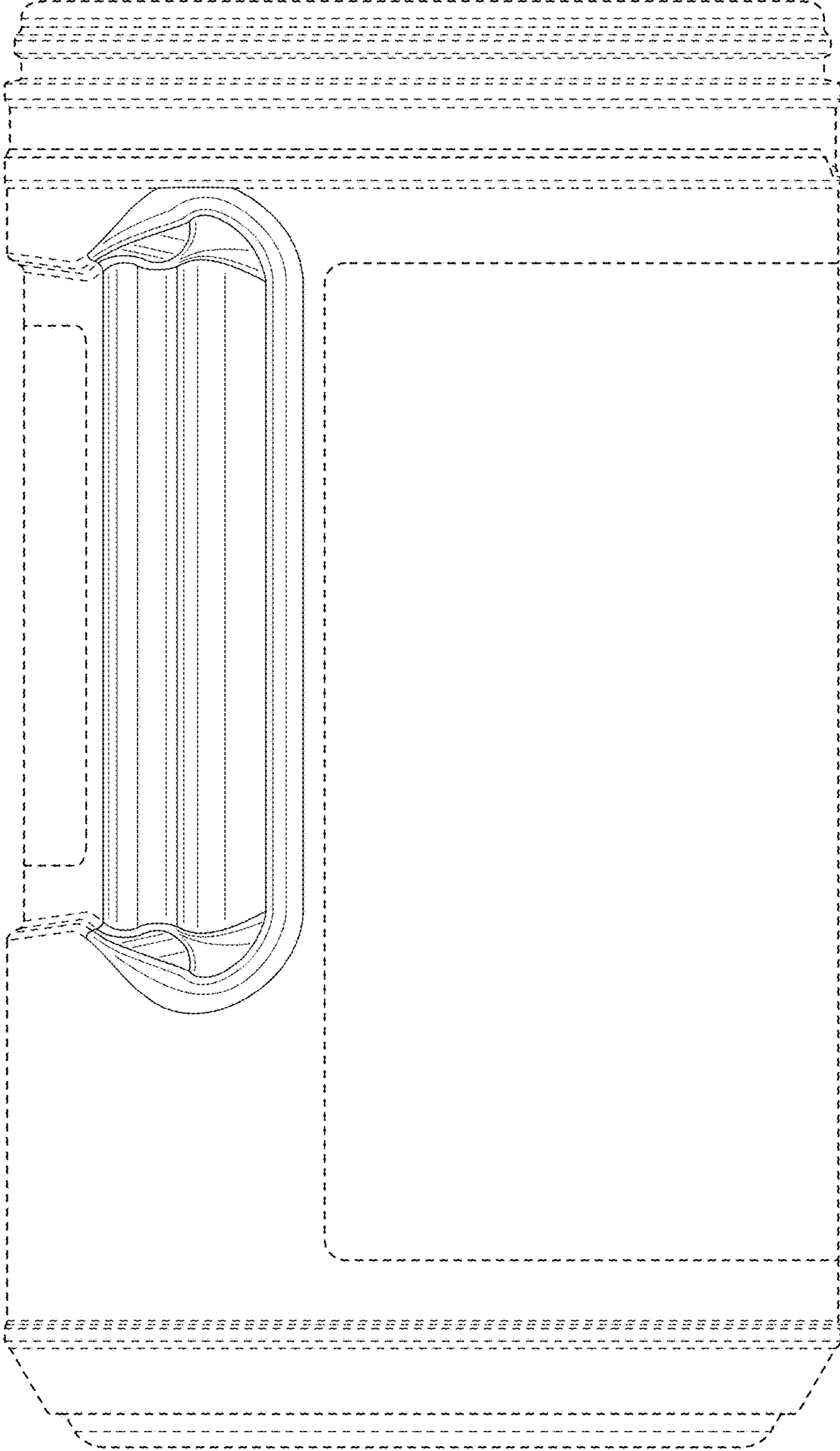


FIG. 14

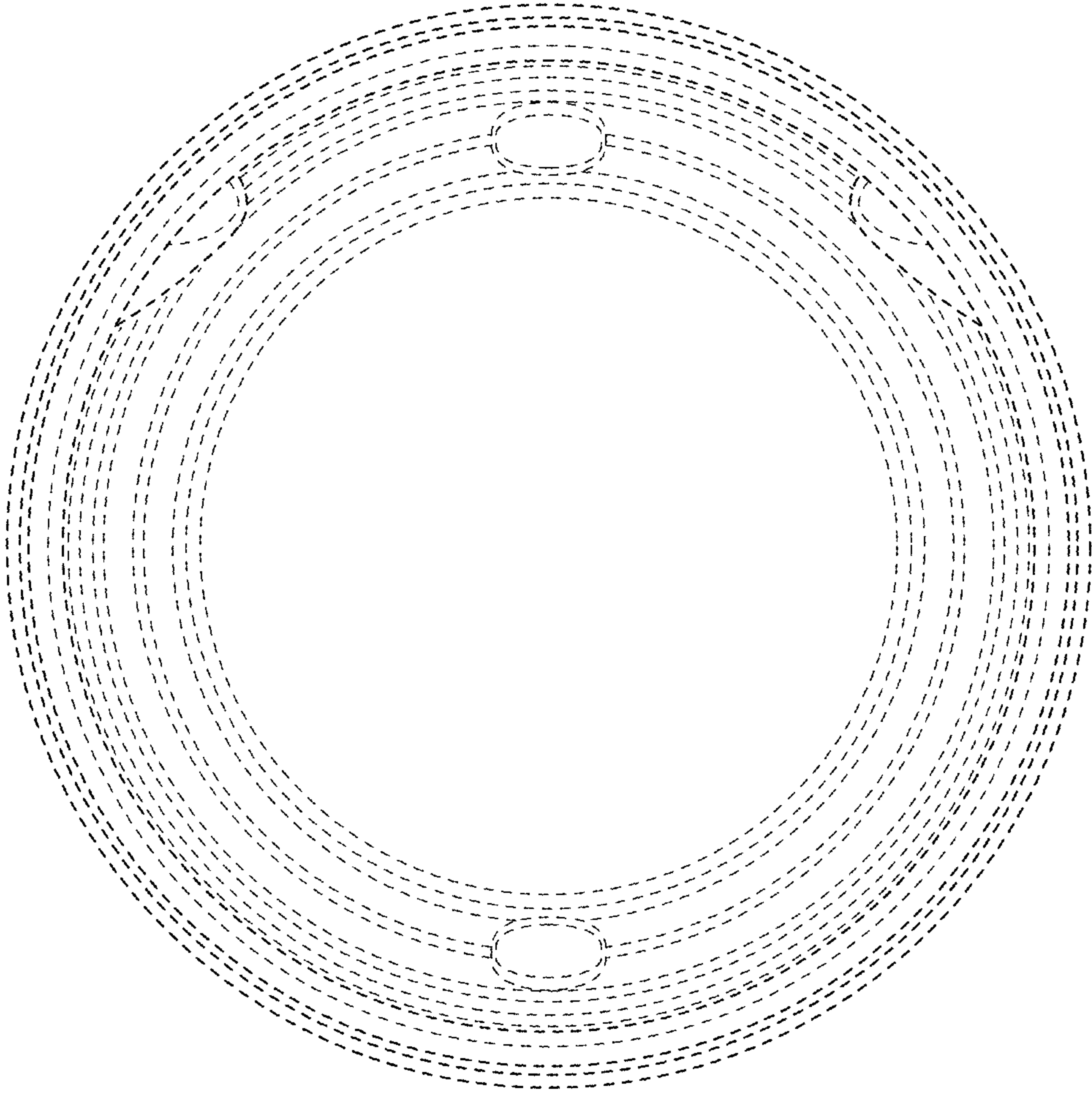


FIG. 15

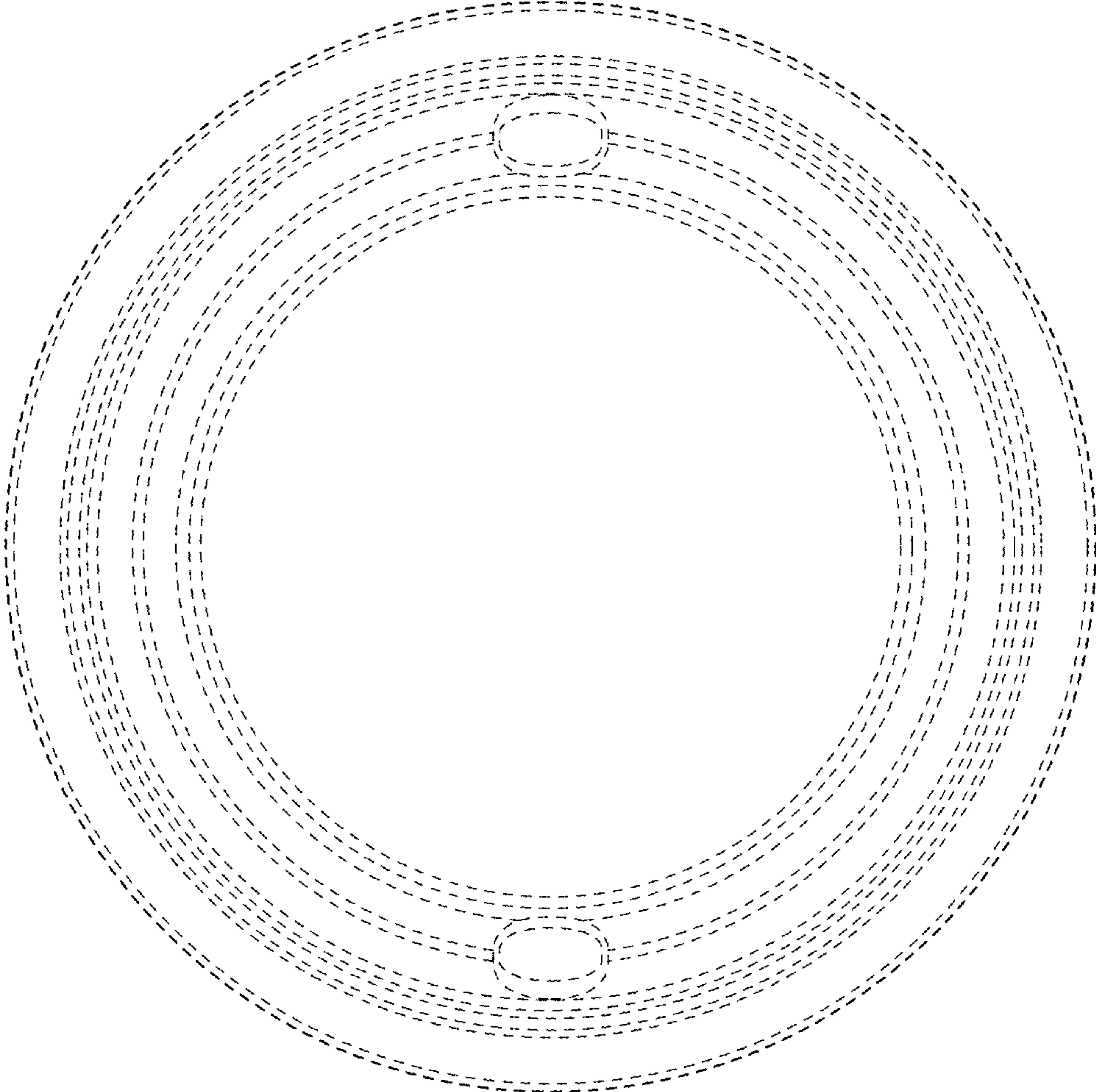


FIG. 16

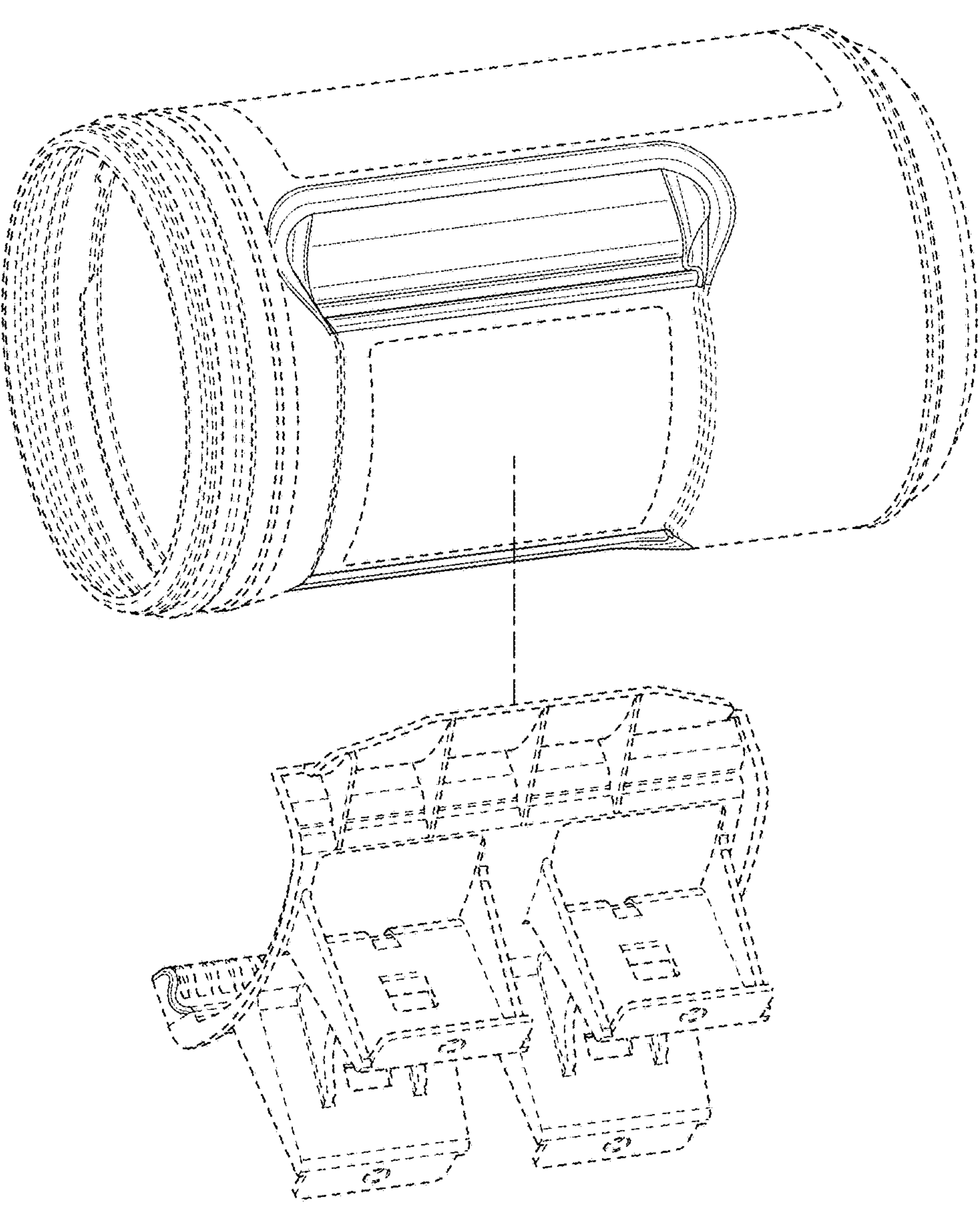


FIG. 17

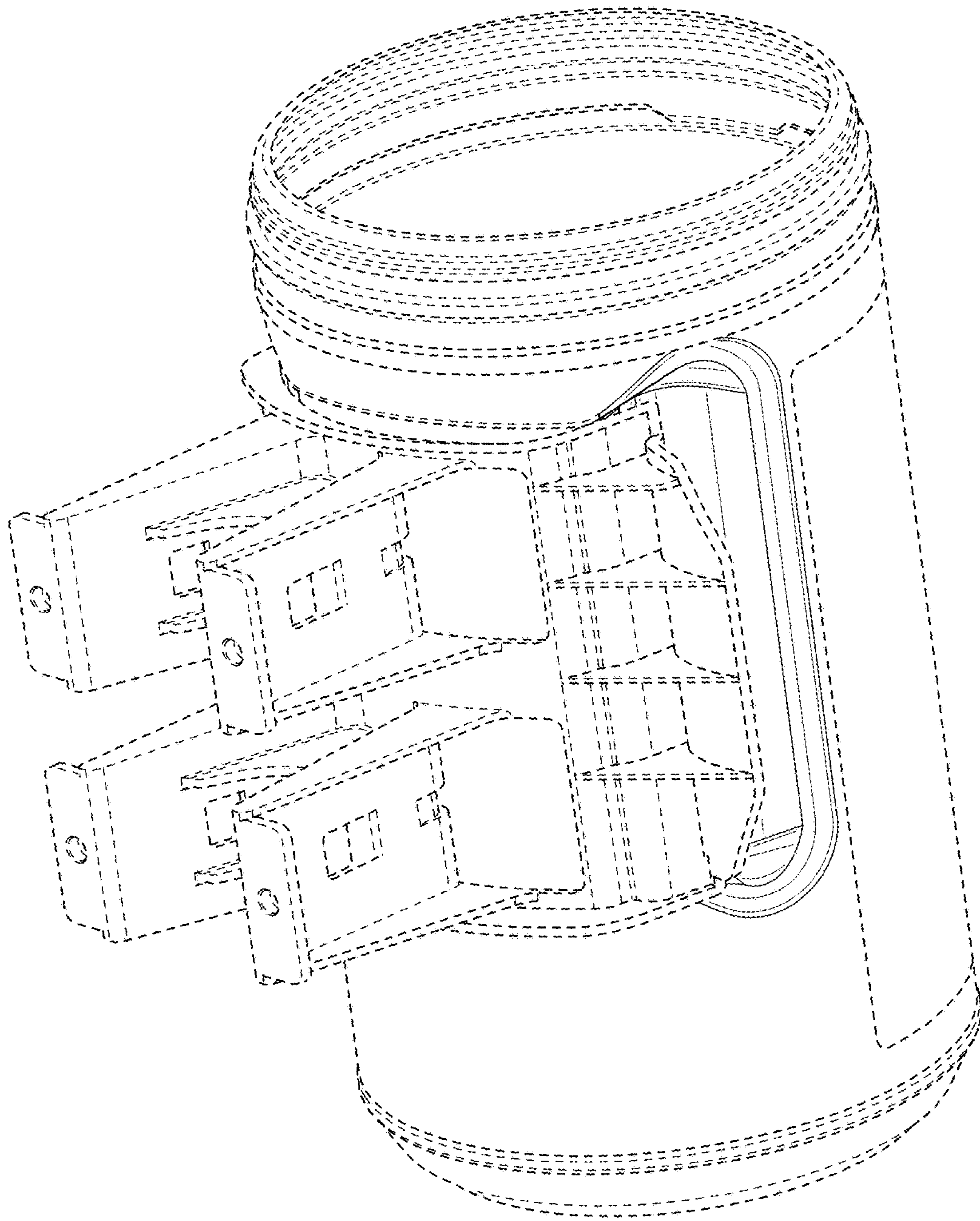


FIG. 18

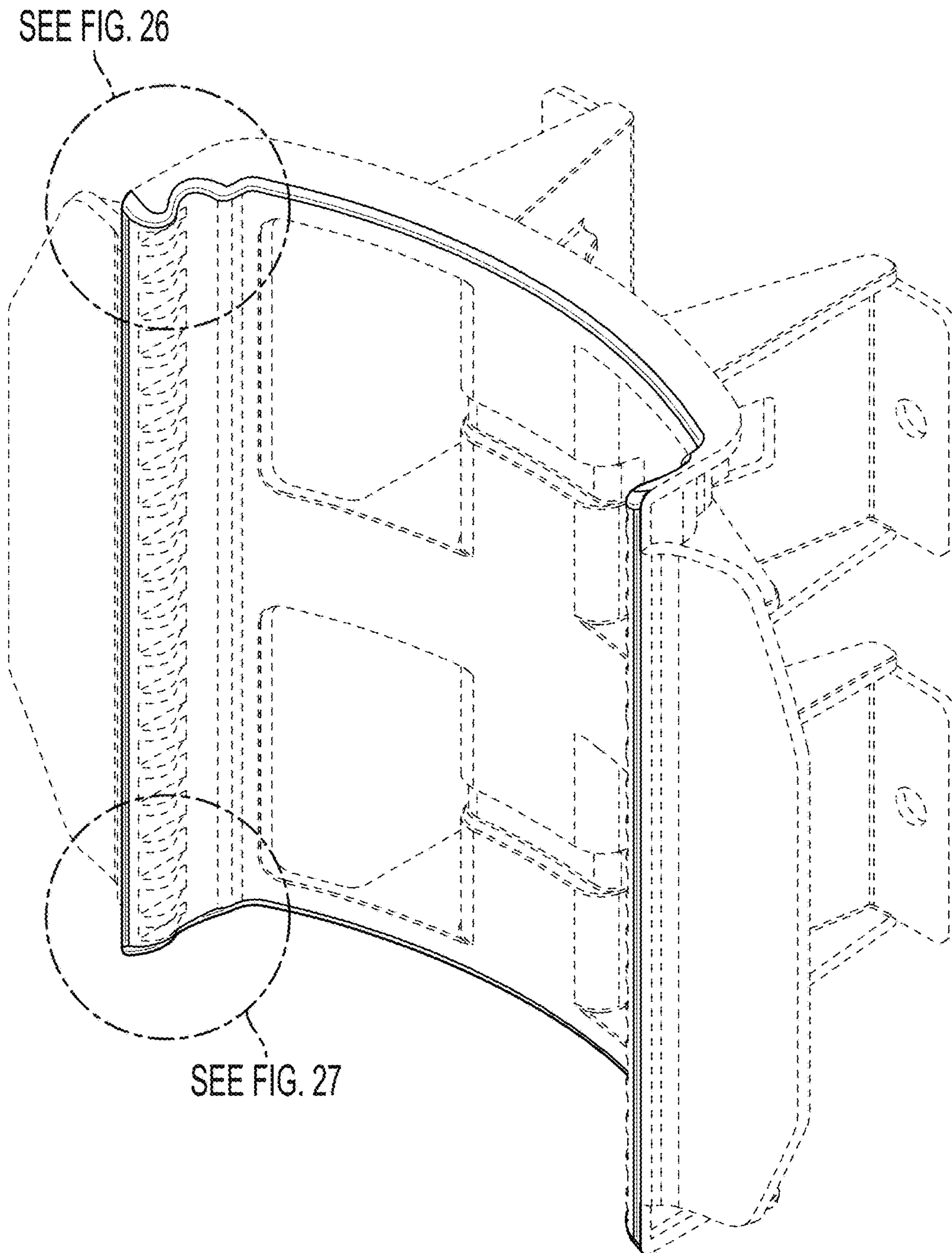


FIG. 19

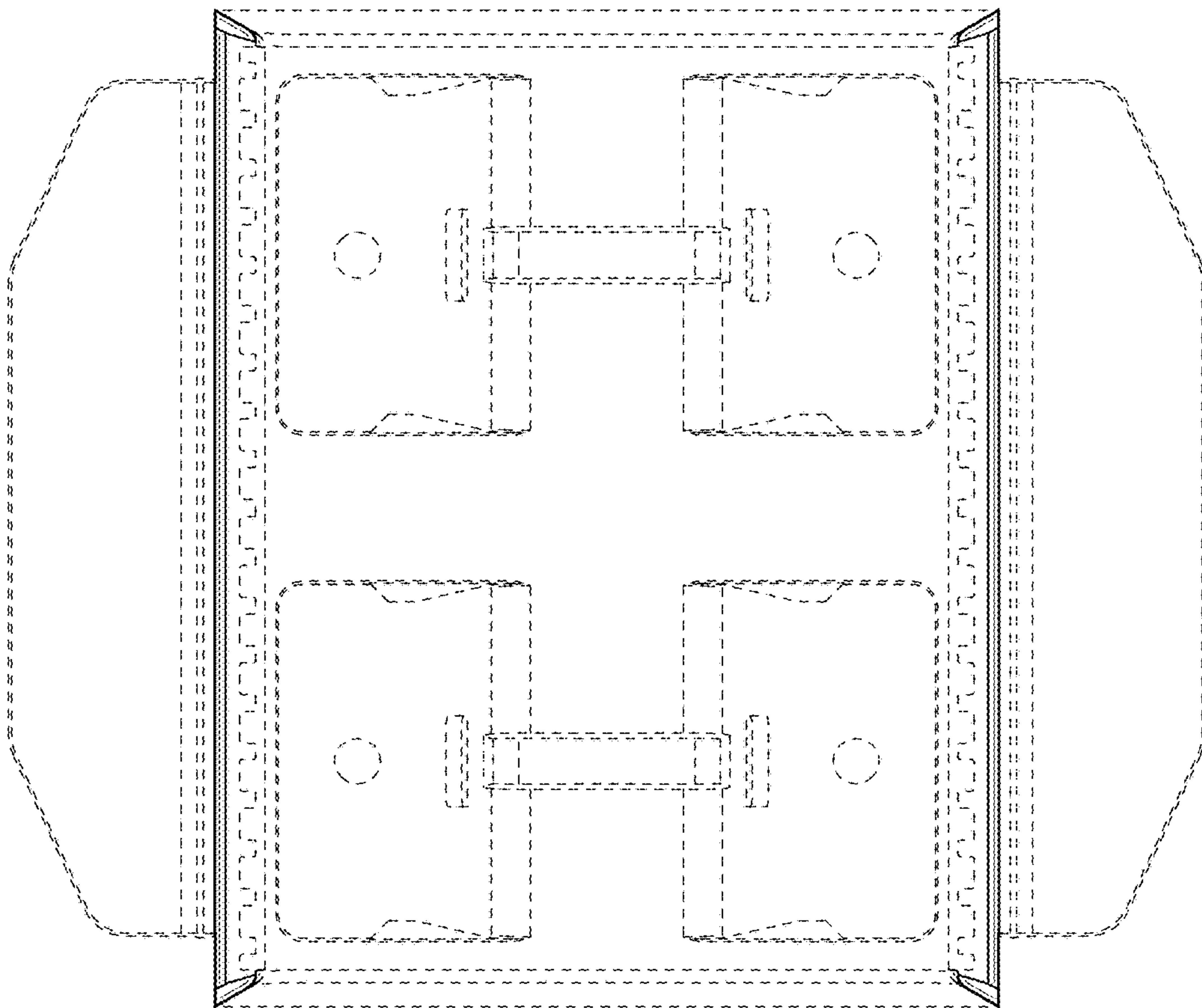


FIG. 20

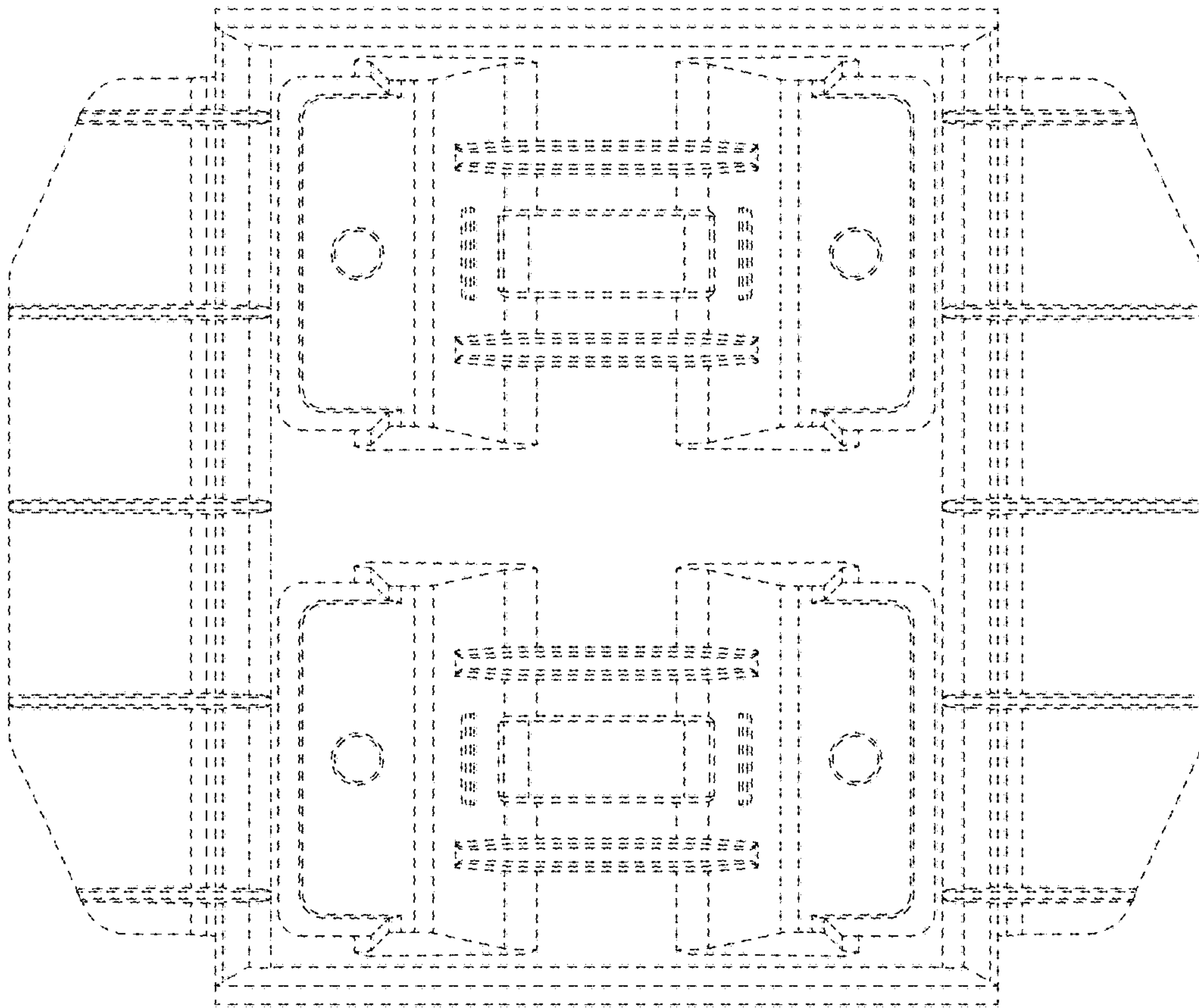


FIG. 21

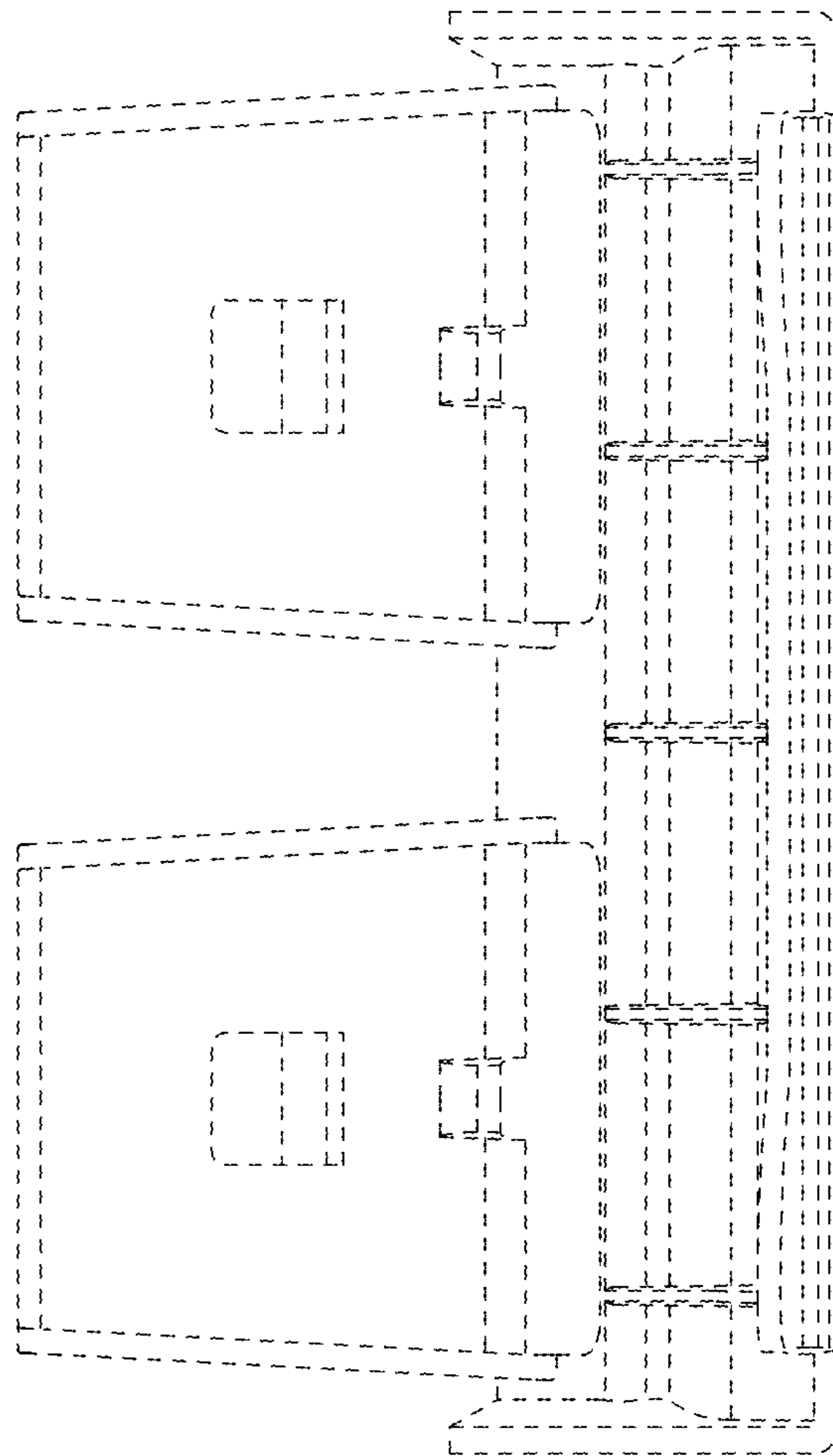


FIG. 22

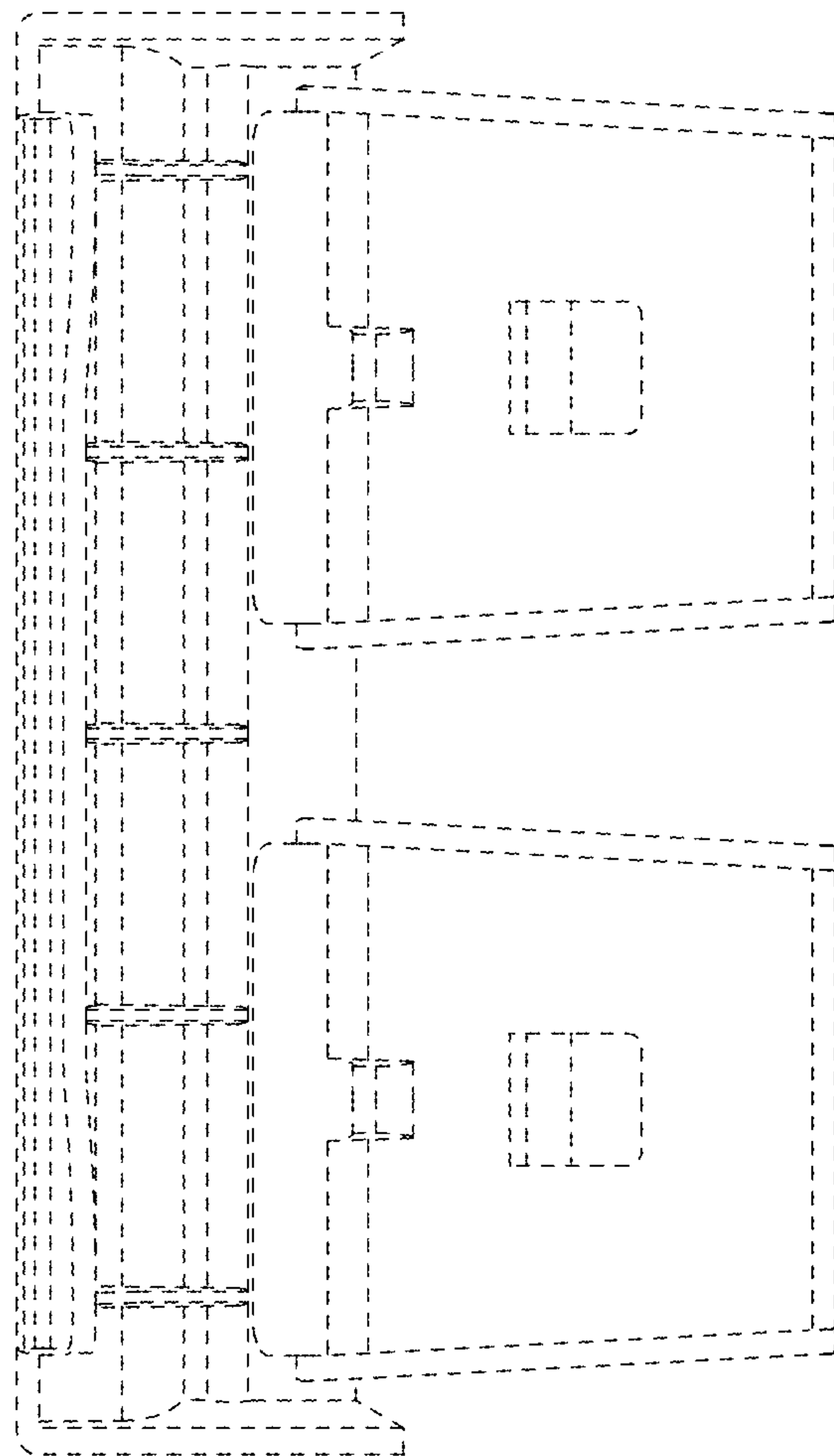
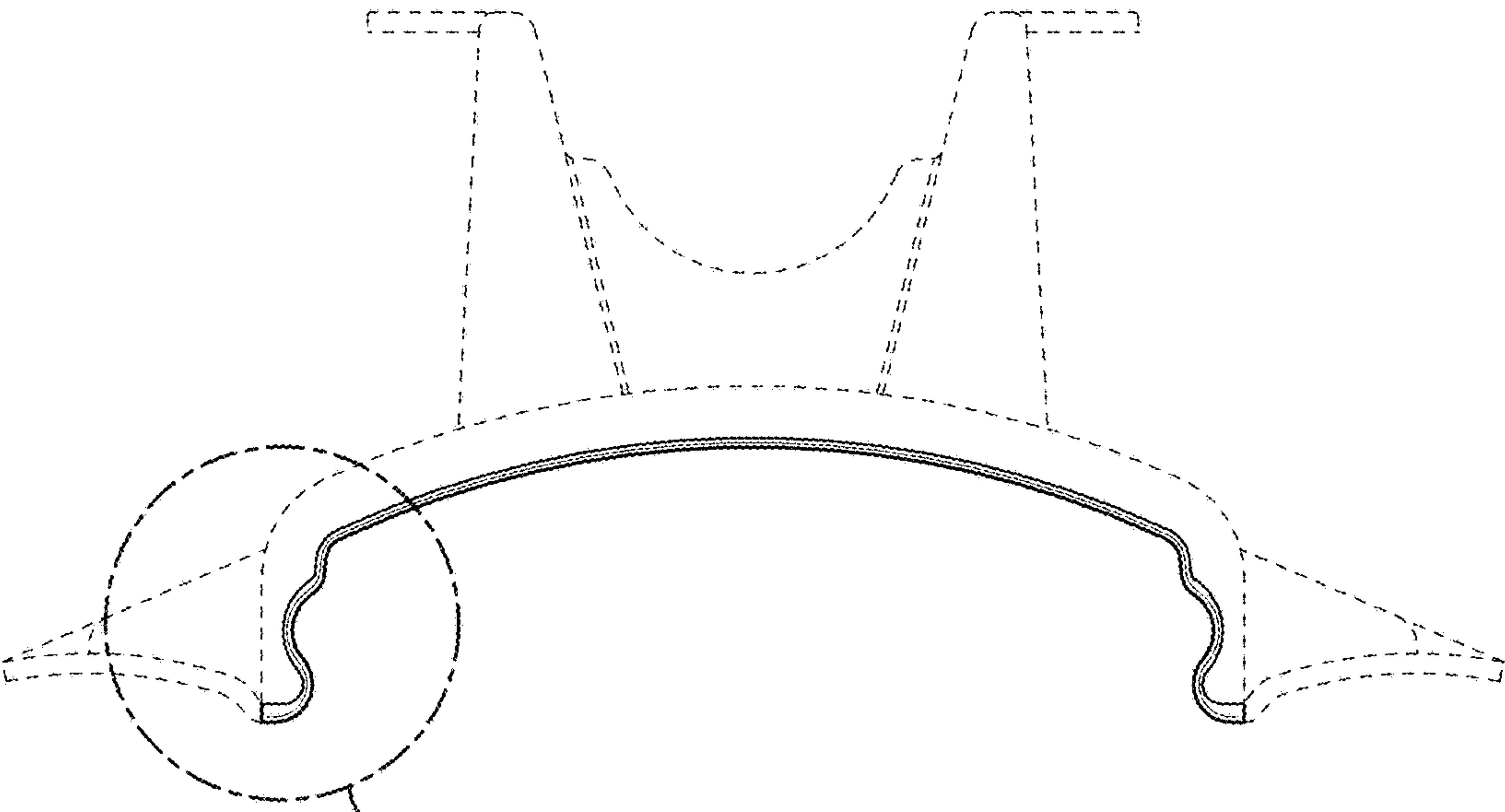


FIG. 23



SEE FIG. 28

FIG. 24

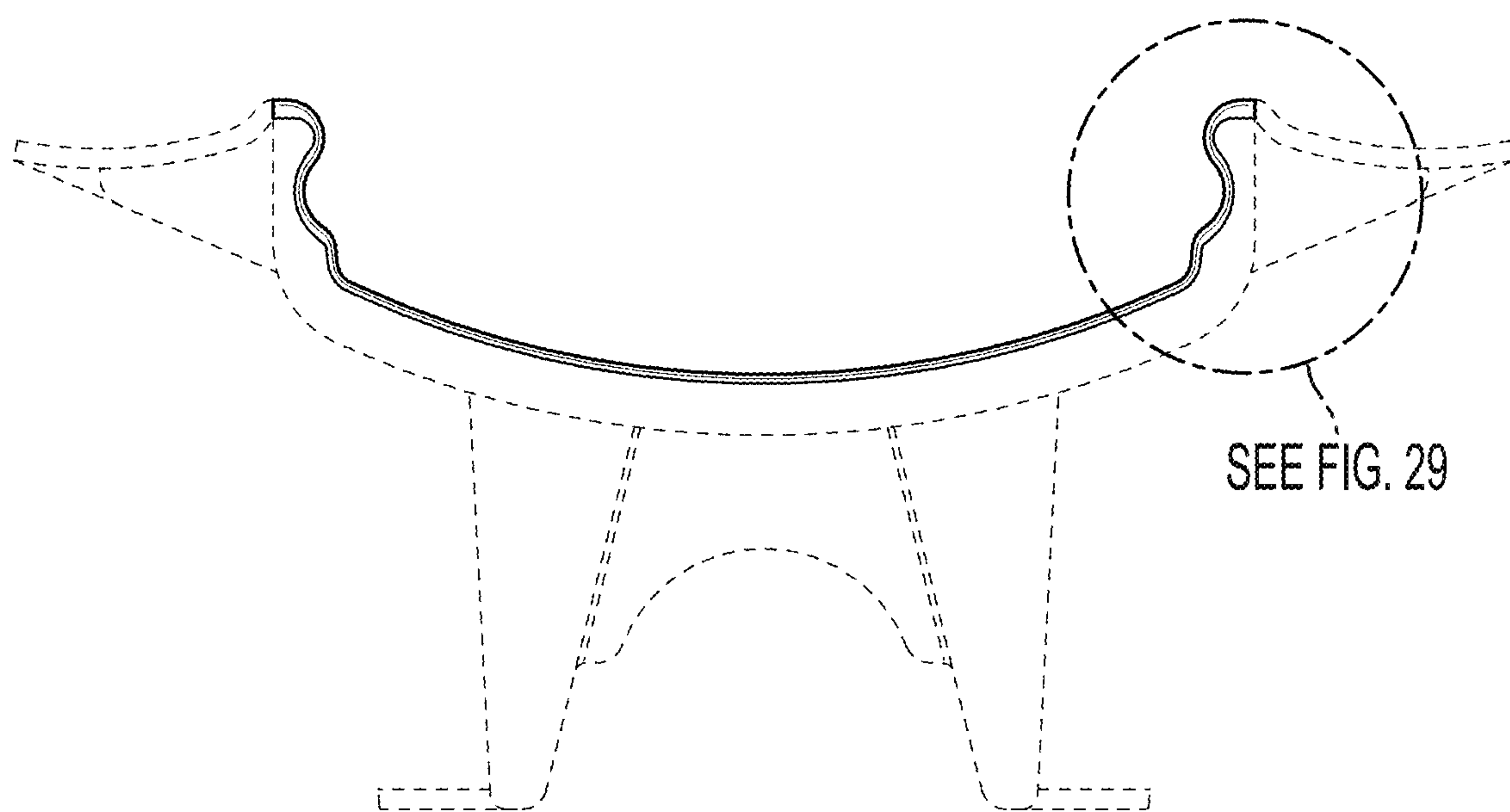


FIG. 25

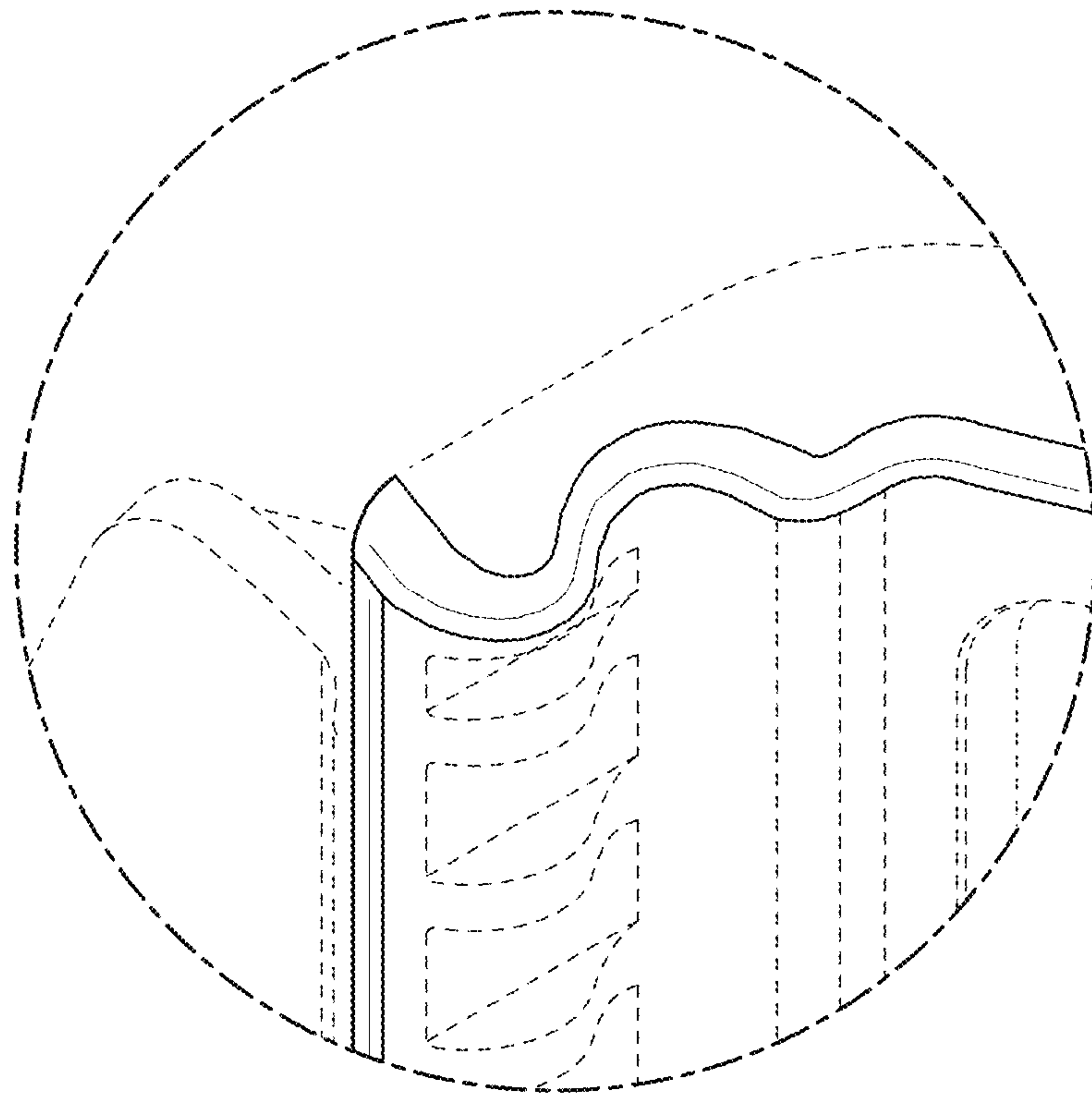


FIG. 26

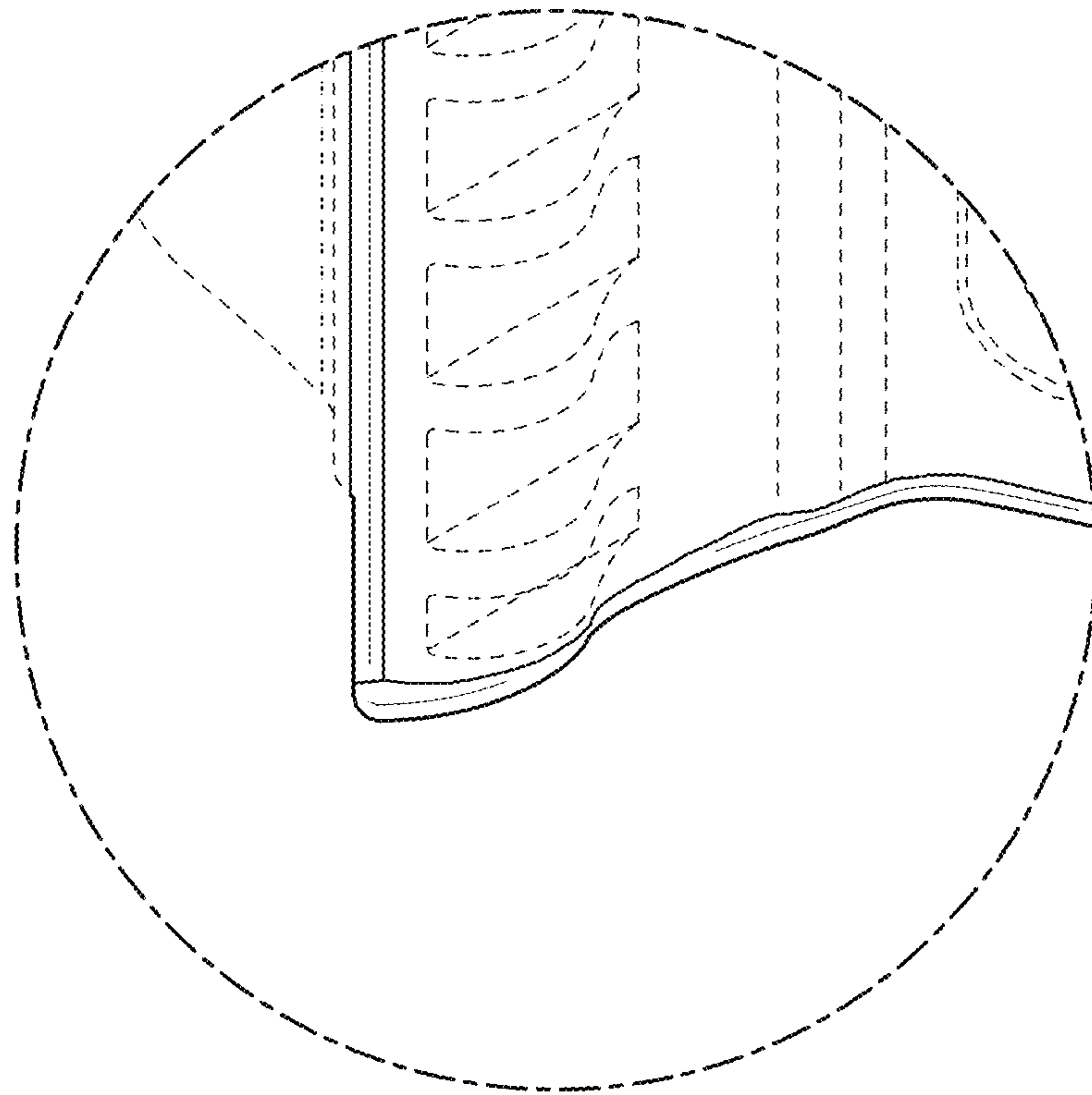


FIG. 27

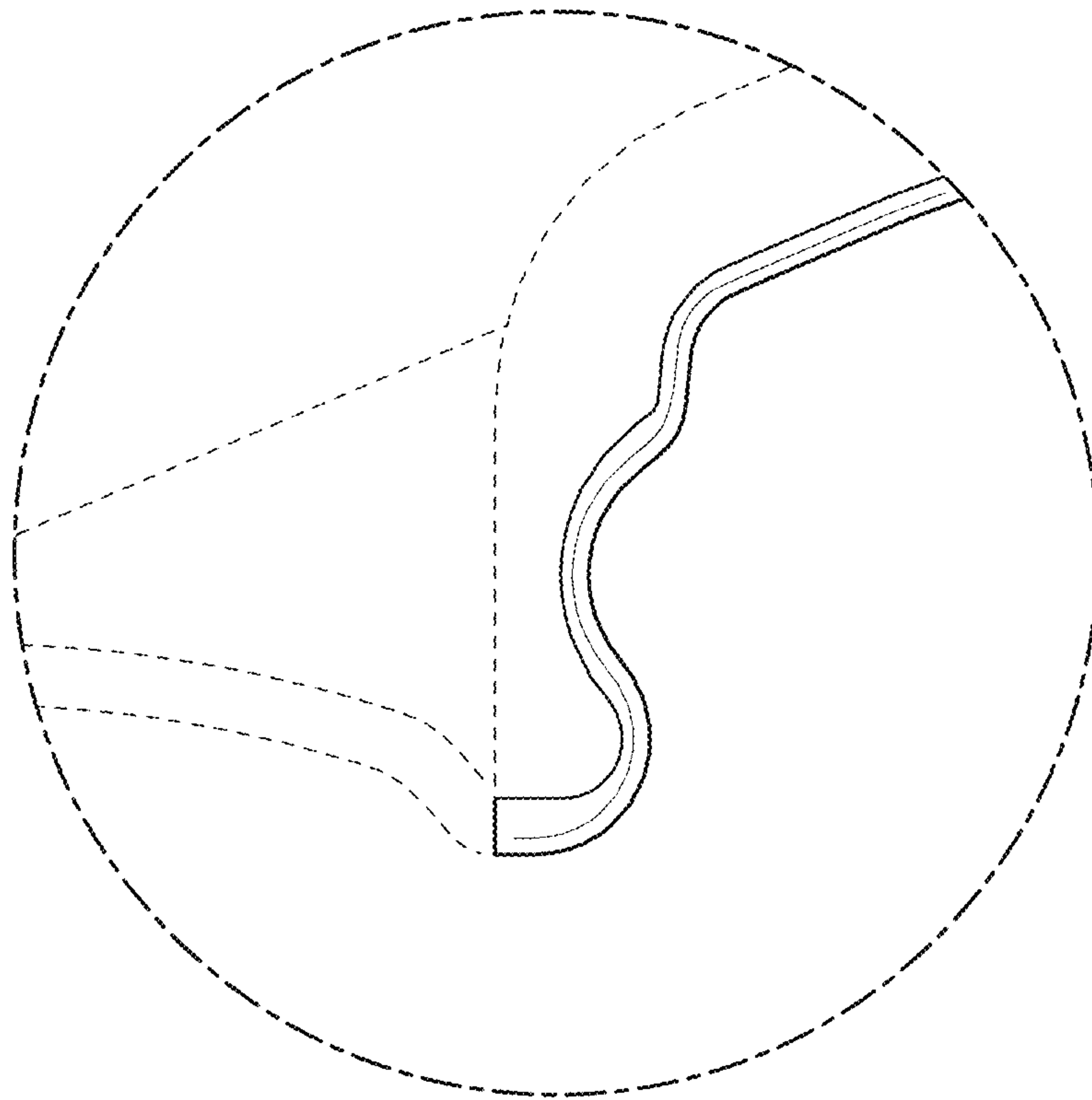


FIG. 28

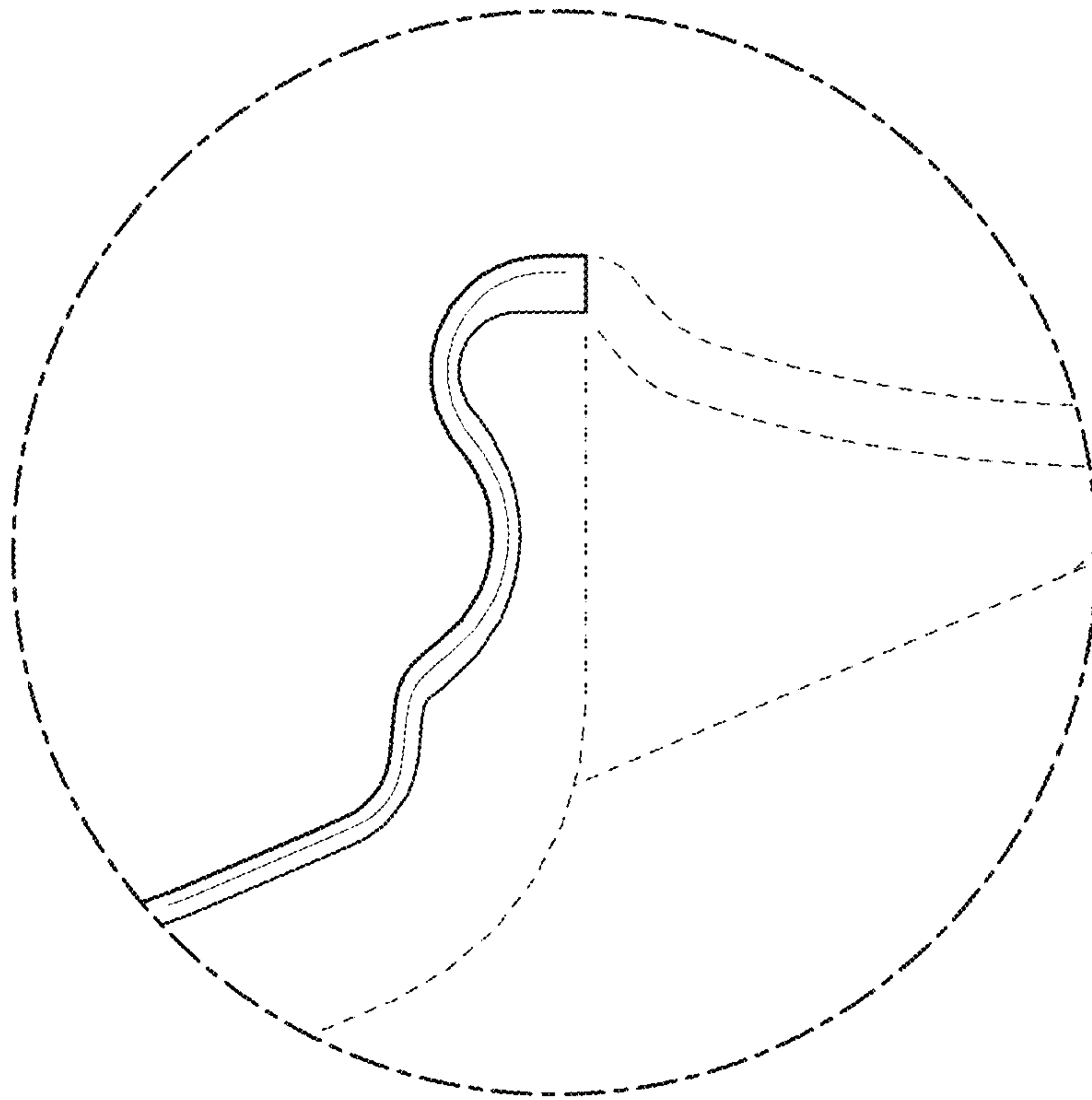


FIG. 29