



US00D785463S

(12) **United States Design Patent** (10) **Patent No.:** **US D785,463 S**
Akana et al. (45) **Date of Patent:** **** May 2, 2017**

(54) **BAG**

(71) Applicant: **Apple Inc.**, Cupertino, CA (US)

(72) Inventors: **Jody Akana**, San Francisco, CA (US); **Molly Anderson**, San Francisco, CA (US); **Bartley K. Andre**, Palo Alto, CA (US); **Shota Aoyagi**, San Francisco, CA (US); **Anthony Michael Ashcroft**, San Francisco, CA (US); **Jeremy Bataillou**, San Francisco, CA (US); **Daniel J. Coster**, San Francisco, CA (US); **Daniele De Iuliis**, San Francisco, CA (US); **M. Evans Hankey**, San Francisco, CA (US); **Julian Hoenig**, San Francisco, CA (US); **Richard P. Howarth**, San Francisco, CA (US); **Jonathan P. Ive**, San Francisco, CA (US); **Duncan Robert Kerr**, San Francisco, CA (US); **Michael Korinek**, San Francisco, CA (US); **Matthew Dean Rohrbach**, San Francisco, CA (US); **Peter Russell-Clarke**, San Francisco, CA (US); **Benjamin Andrew Shaffer**, San Jose, CA (US); **Mikael Silvano**, San Francisco, CA (US); **Christopher J. Stringer**, Woodside, CA (US); **Clement Tissandier**, San Francisco, CA (US); **Eugene Antony Whang**, San Francisco, CA (US); **Rico Zörkendörfer**, San Francisco, CA (US)

(73) Assignee: **Apple Inc.**, Cupertino, CA (US)

(**) Term: **15 Years**

(21) Appl. No.: **29/571,256**

(22) Filed: **Jul. 15, 2016**

Related U.S. Application Data

(63) Continuation of application No. 29/519,818, filed on Mar. 9, 2015, now Pat. No. Des. 764,939.

(51) **LOC (10) Cl.** **09-05**

(52) **U.S. Cl.**
USPC **D9/703**

(58) **Field of Classification Search**

USPC D9/702-714, 719, 738-740, 517-518, D9/522, 416, 435, 444, 460, 455, 414,
(Continued)

(56) **References Cited**

U.S. PATENT DOCUMENTS

| | | | |
|--------------|---------|----------|--------------|
| D254,478 S | 3/1980 | Carroll | |
| D343,288 S | 1/1994 | Chao | |
| D485,166 S * | 1/2004 | Clark | D9/704 |
| D490,301 S | 5/2004 | Townsend | |
| D494,058 S | 8/2004 | Clark | |
| D494,853 S | 8/2004 | Chan | |
| D497,541 S | 10/2004 | Clark | |
| D498,667 S | 11/2004 | Clark | |
| D522,379 S | 6/2006 | Clark | |
| D548,107 S | 8/2007 | Glass | |

(Continued)

FOREIGN PATENT DOCUMENTS

| | | |
|----|----------------|---------|
| DE | D40102866-0001 | 10/2001 |
| DE | D40102866-0002 | 10/2001 |
| JP | D1020379 S | 9/1998 |

Primary Examiner — Abraham Bahta

(74) *Attorney, Agent, or Firm* — Sterne, Kessler, Goldstein & Fox P.L.L.C.

(57) **CLAIM**

The ornamental design for a bag, as shown and described.

DESCRIPTION

This application incorporates by reference U.S. Design Application. All the material from the U.S. Application which is essential to the claimed design is included in this application. It is understood that any material in the U.S. Application which is not present in this application forms no part of the claimed design.

FIG. 1 is a top front perspective view of a first bag showing the claimed design;

FIG. 2 is a front view thereof;

FIG. 3 is a rear view thereof;

(Continued)

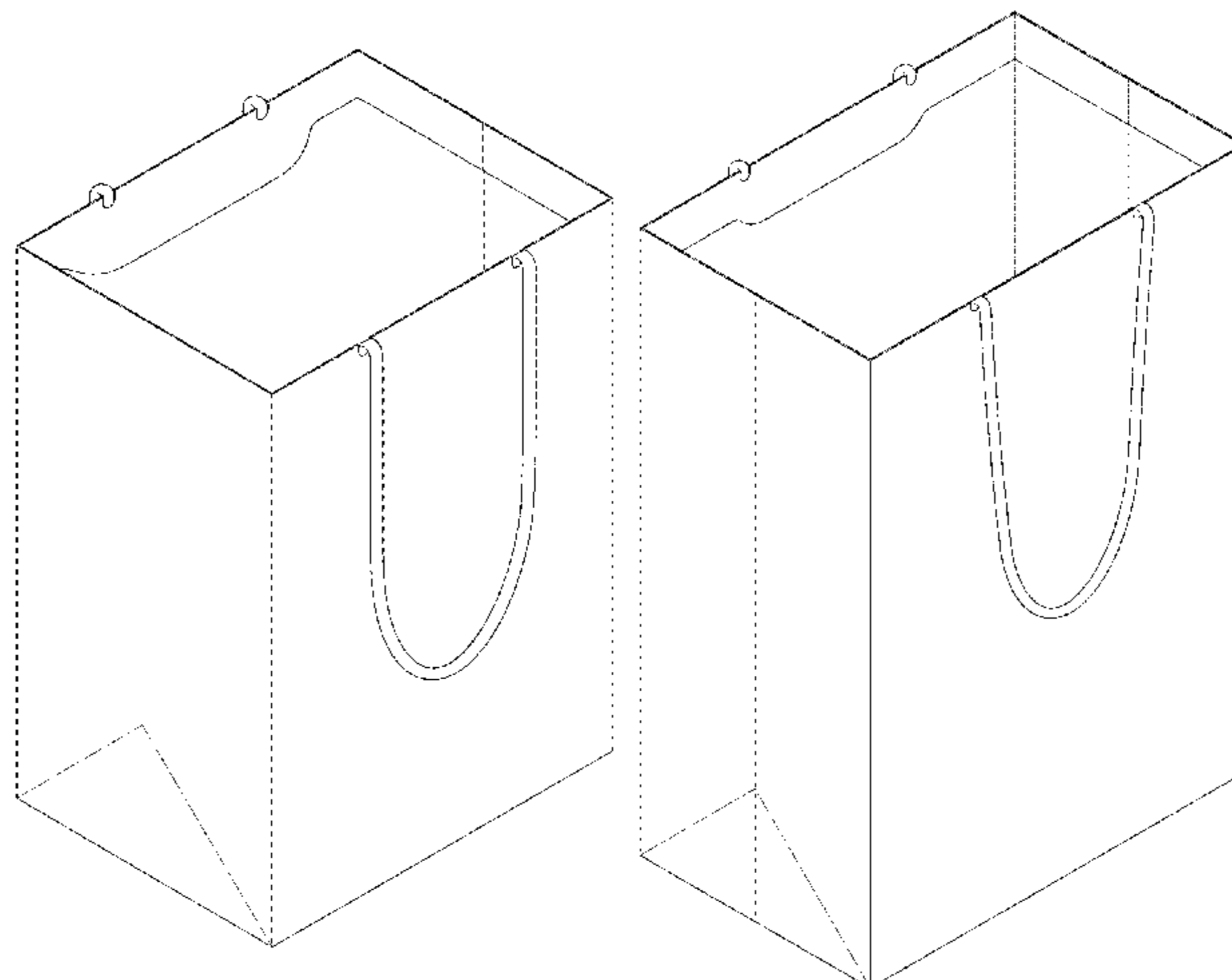


FIG. 4 is a left side view thereof;
FIG. 5 is a right side view thereof;
FIG. 6 is a top view thereof;
FIG. 7 is a bottom view thereof;
FIG. 8 is a reference cross-sectional view taken along line 8-8 in FIG. 5 with handles removed;
FIG. 9 is a reference perspective view showing the bag of FIG. 1 with handles in another state;
FIG. 10 is a top front perspective view of a second bag showing the claimed design;
FIG. 11 is a front view thereof;
FIG. 12 is a rear view thereof;
FIG. 13 is a left side view thereof;
FIG. 14 is a right side view thereof;
FIG. 15 is a top view thereof;
FIG. 16 is a bottom view thereof;
FIG. 17 is a reference cross-sectional view taken along line 17-17 in FIG. 14 with handles removed;
FIG. 18 is a reference perspective view showing the bag of FIG. 10 with handles in another state;
FIG. 19 is a top front perspective view of a third bag showing the claimed design;
FIG. 20 is a front view thereof;
FIG. 21 is a rear view thereof;
FIG. 22 is a left side view thereof;
FIG. 23 is a right side view thereof;
FIG. 24 is a top view thereof;
FIG. 25 is a bottom view thereof;
FIG. 26 is a reference cross-sectional view taken along line 26-26 in FIG. 23 with handles removed; and,

FIG. 27 is a reference perspective view showing the bag of FIG. 19 with handles in another state.

1 Claim, 24 Drawing Sheets

(58) **Field of Classification Search**

USPC D9/499, 431-432; D7/560-562;
206/434, 426-427, 429-430, 485, 485.1,
206/499, 508, 431, 418-422, 588-594;
229/117.3, 185, 121, 122, 200, 207, 236,
229/87.01; 220/23.83; 150/100-118;
294/137, 152; 383/6, 10, 14, 20, 40, 33,
383/104-105, 117, 108, 120, 93, 121.1,
383/127; 428/34.3

CPC B65D 33/00; B65D 33/06; B65D 33/065;
B65D 33/14; B65D 33/1683; B65D
33/12; B65D 31/00; B65D 31/04; B65D
31/10; A45C 3/04; A45C 3/10

See application file for complete search history.

(56) **References Cited**

U.S. PATENT DOCUMENTS

D576,500 S * 9/2008 Kim D9/703
D578,409 S 10/2008 Clark
D764,939 S * 8/2016 Akana D9/703

* cited by examiner

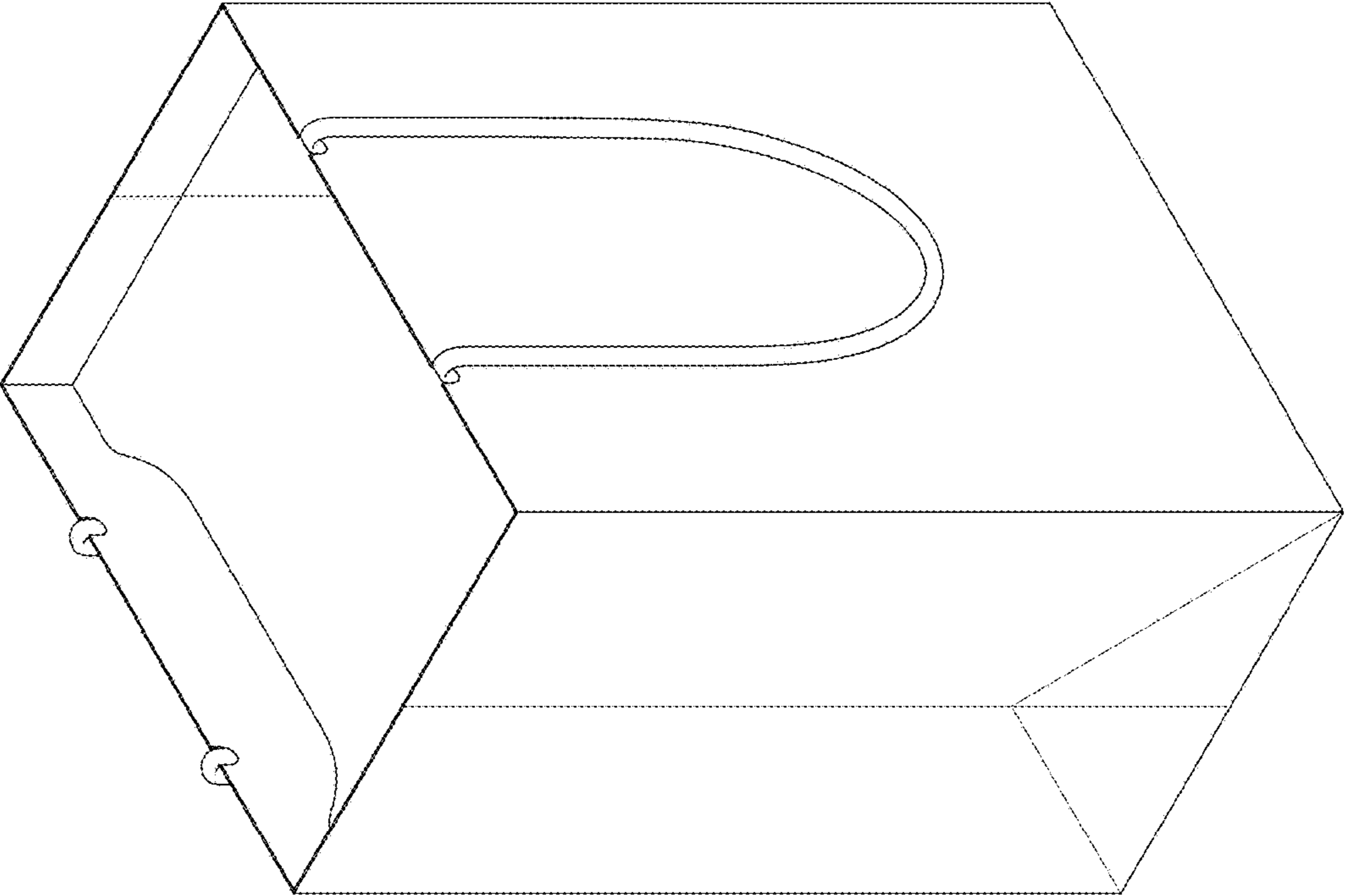


FIG. 1

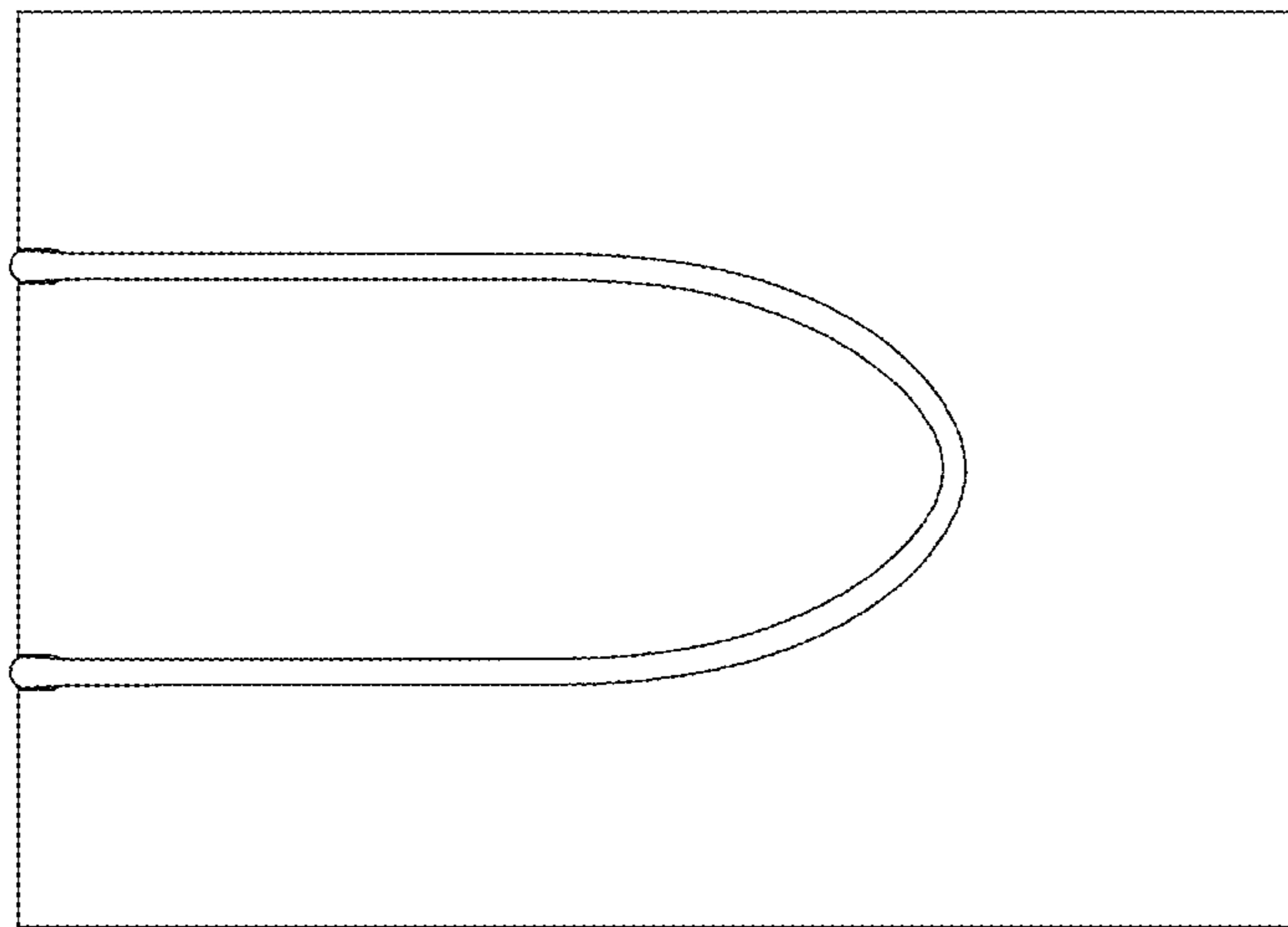


FIG. 2

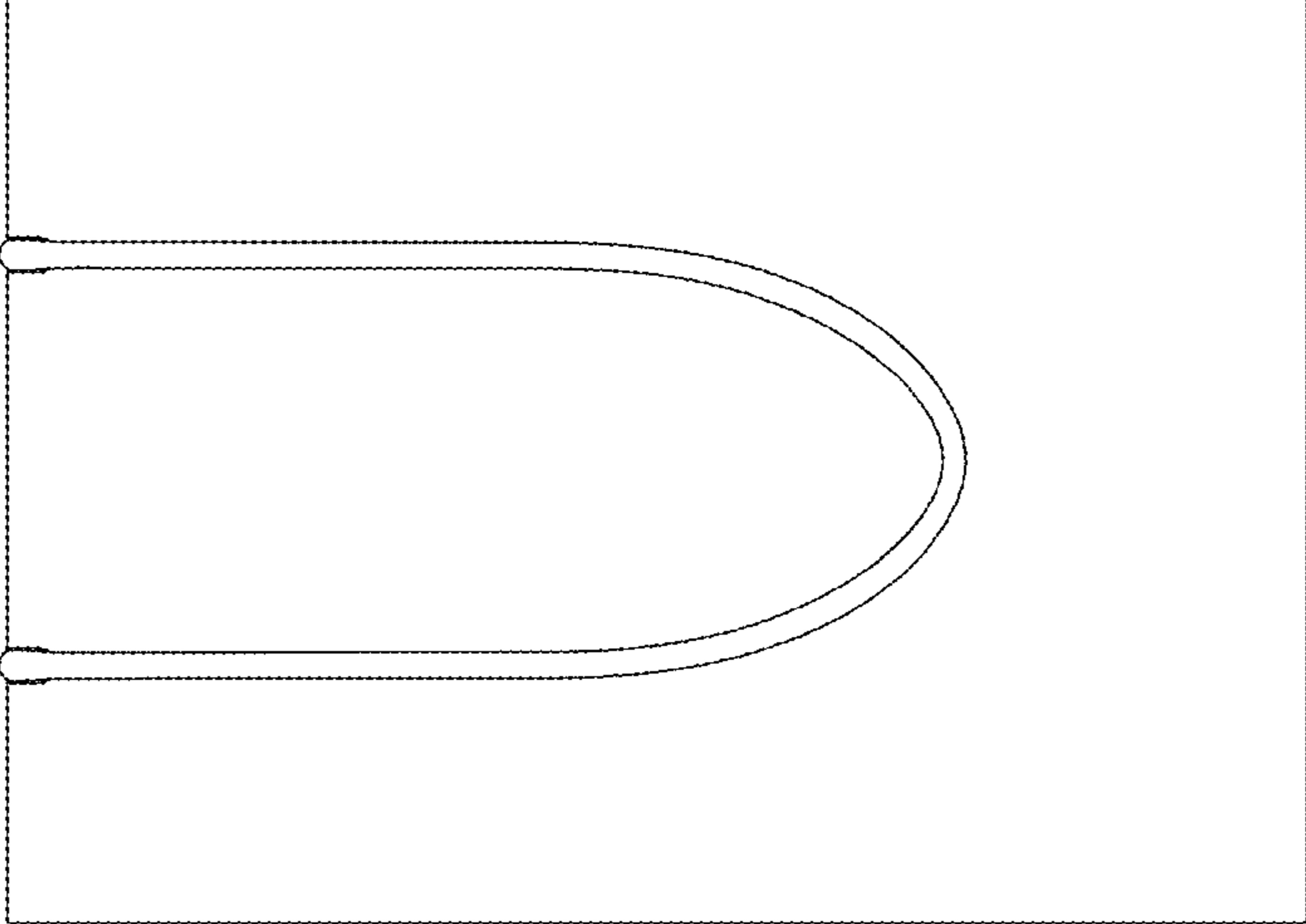


FIG. 3

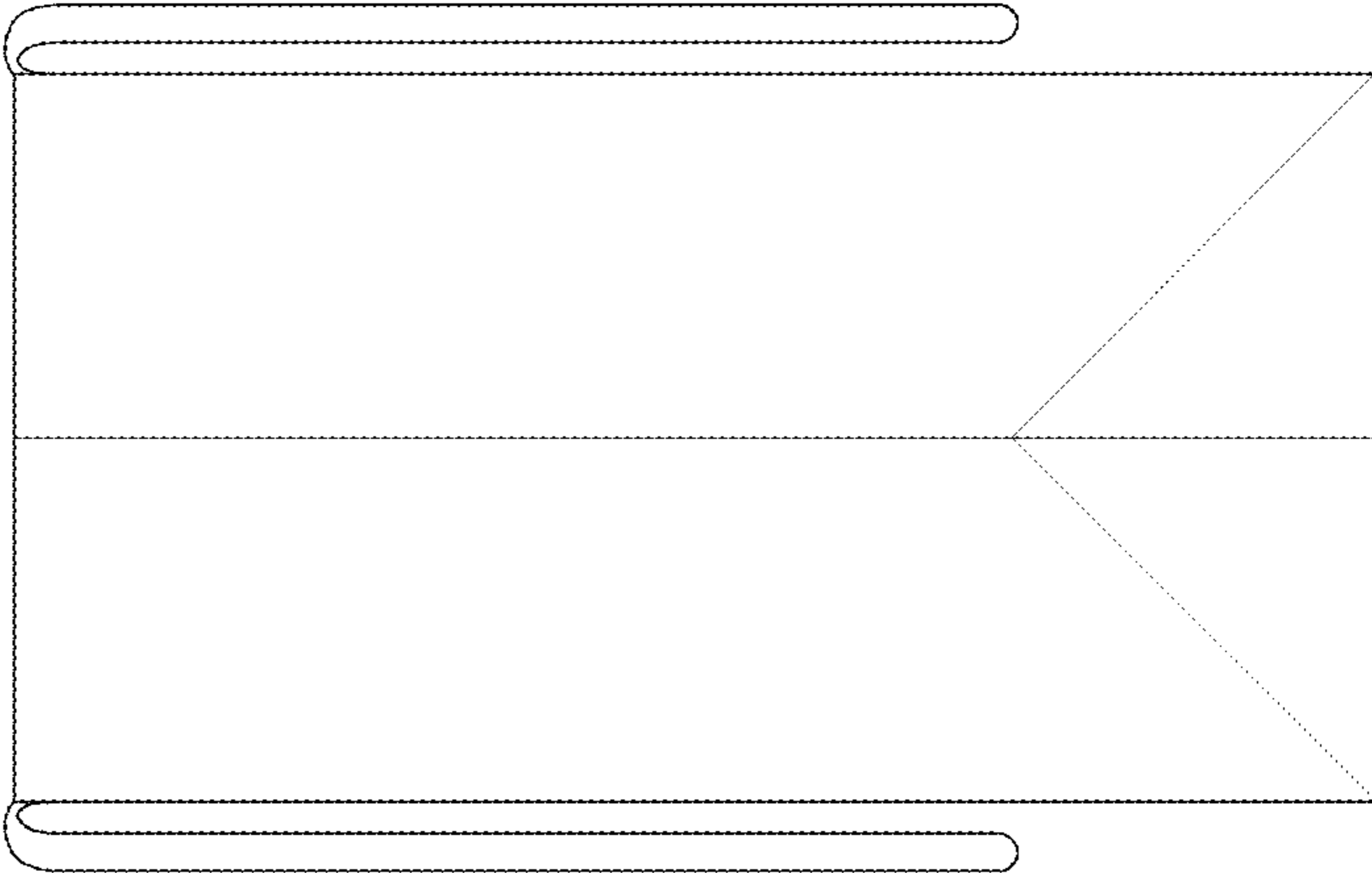


FIG. 4

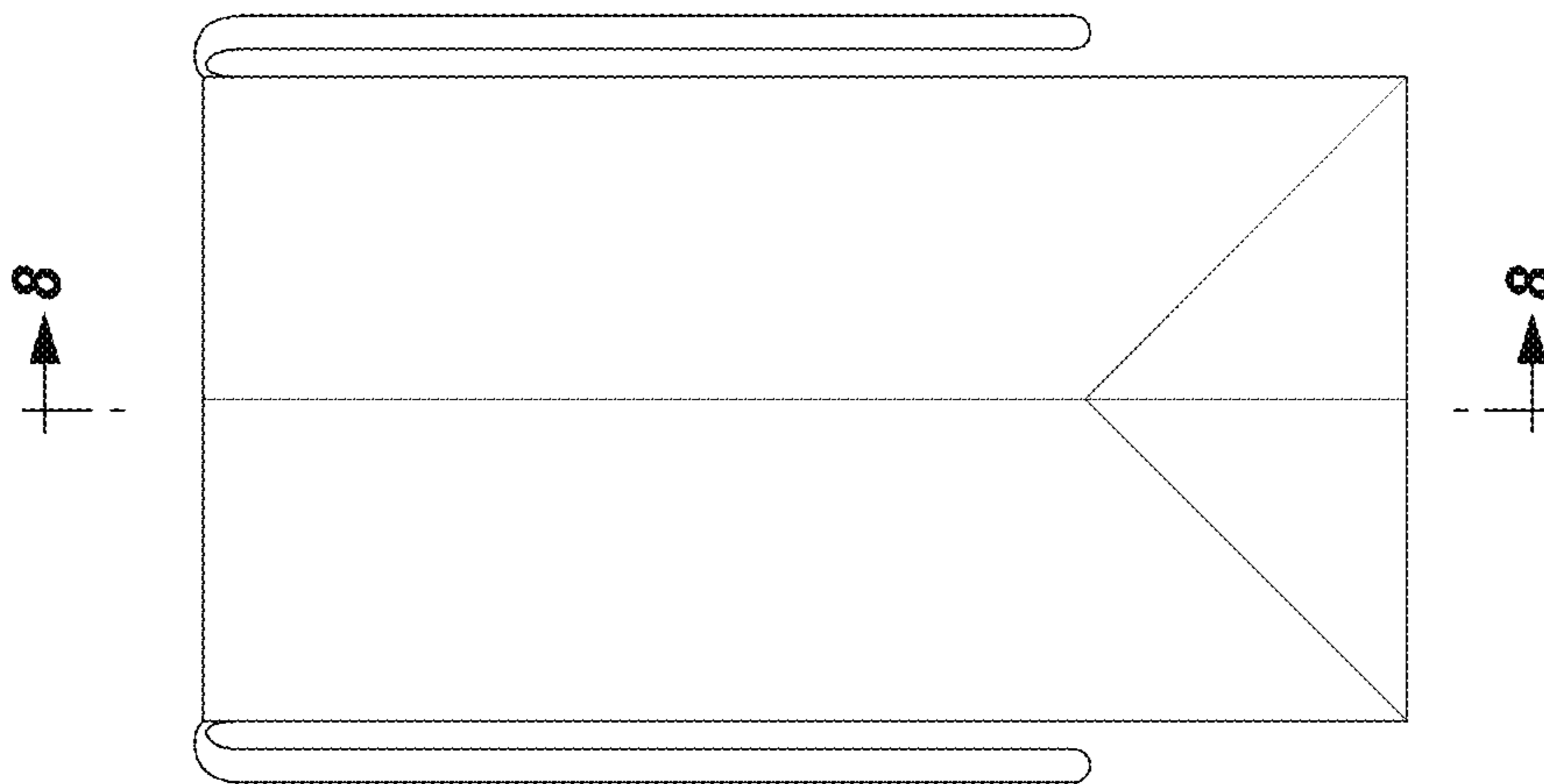


FIG. 5

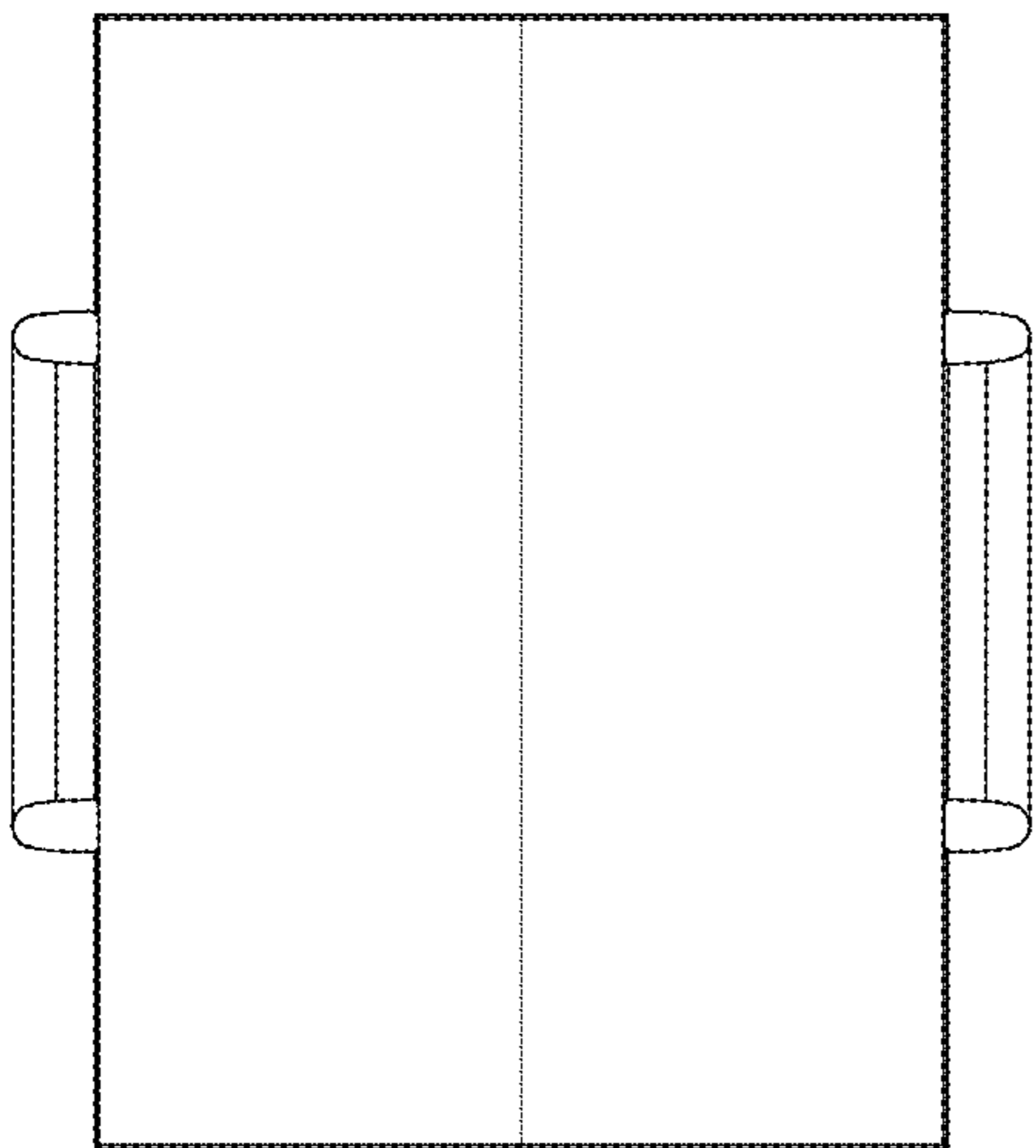


FIG. 6

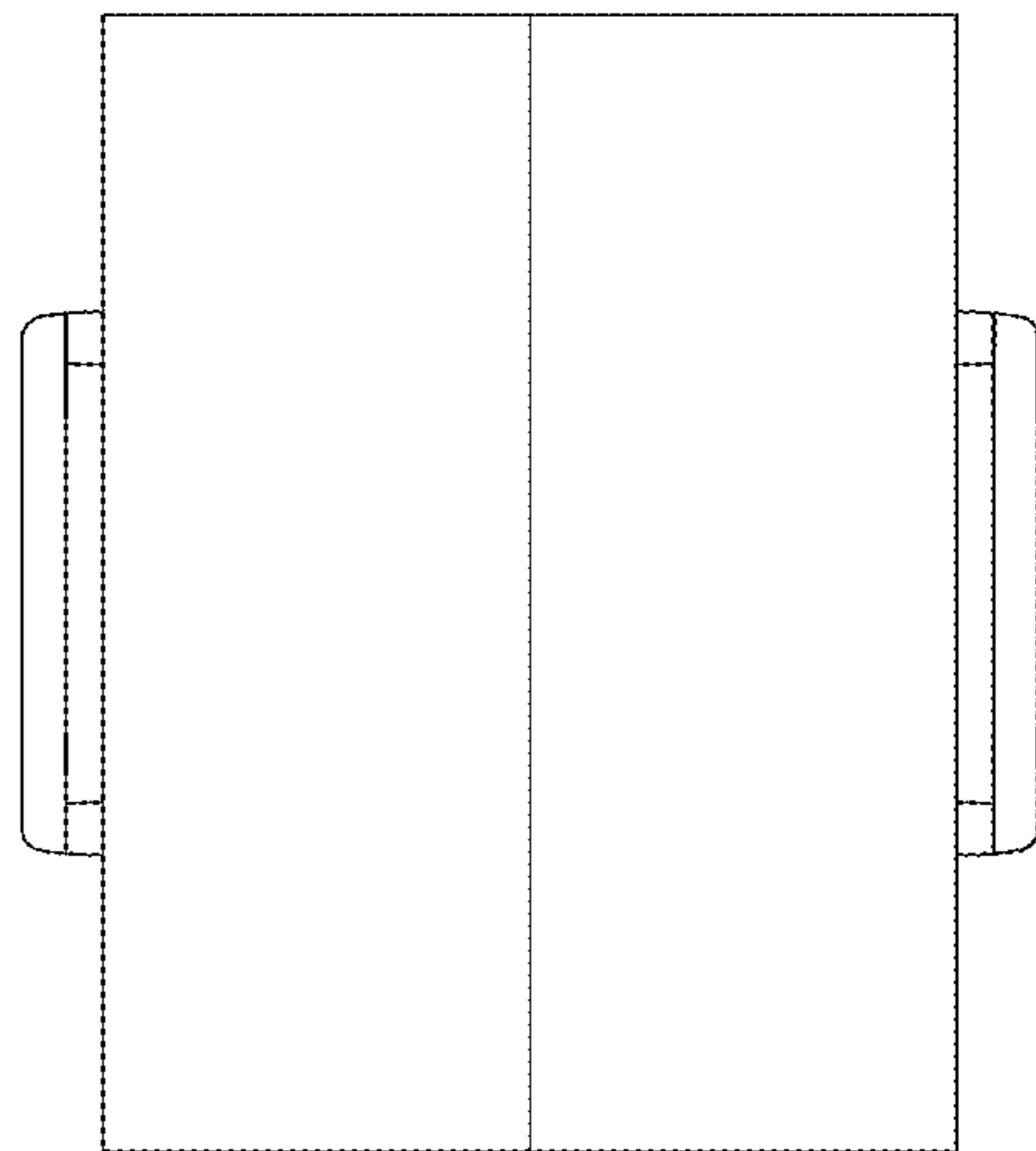


FIG. 7



FIG. 8

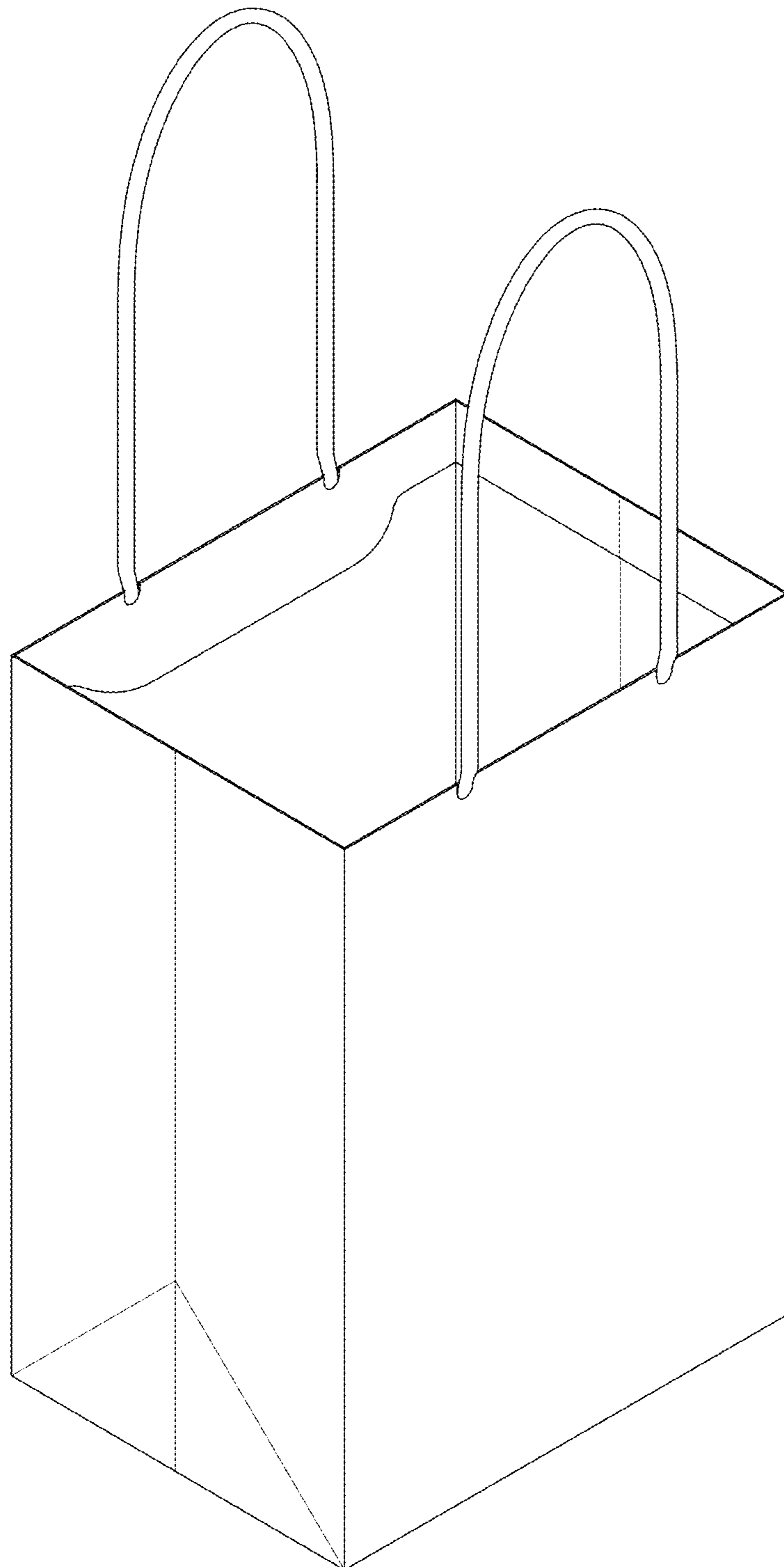


FIG. 9

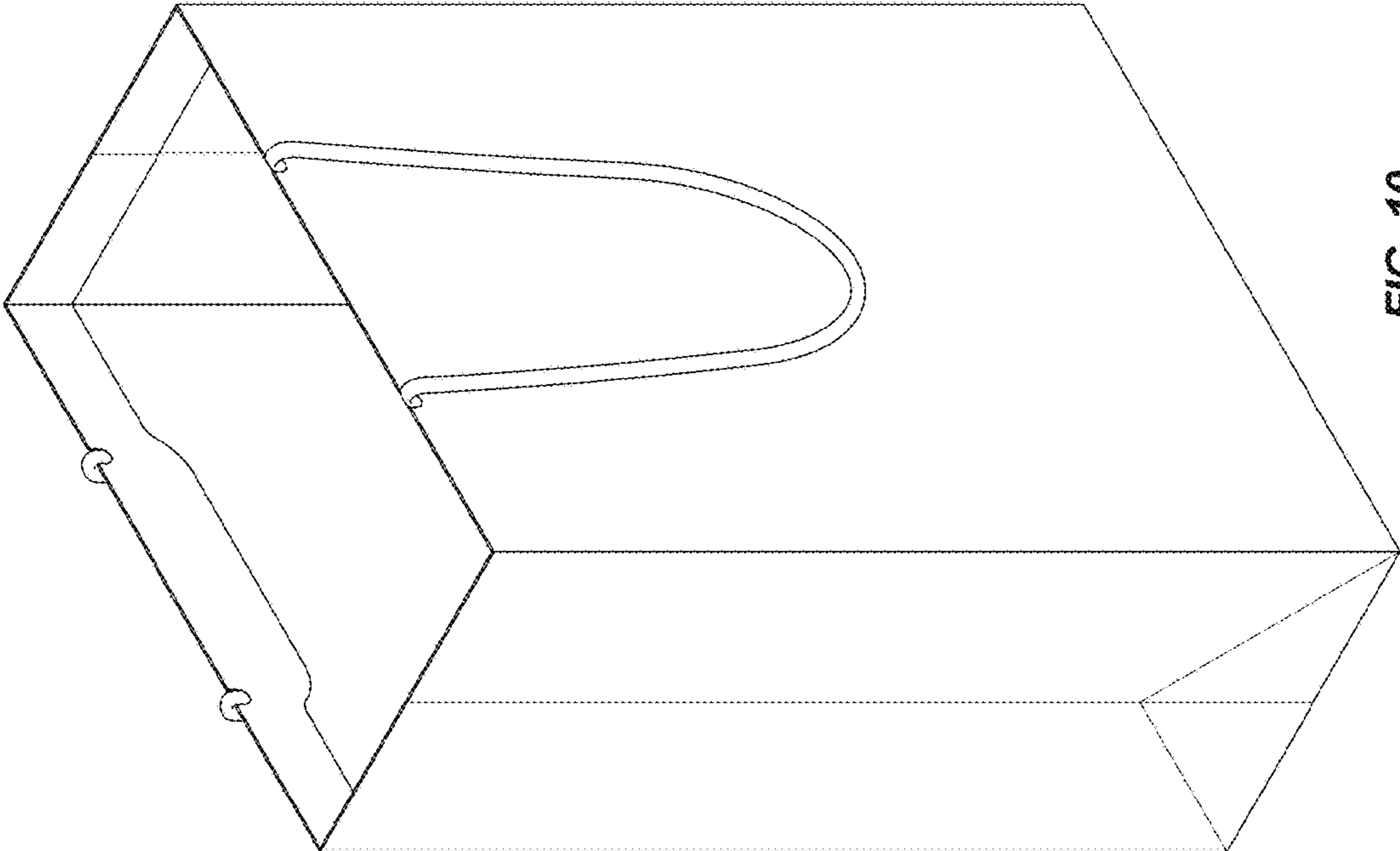


FIG. 10

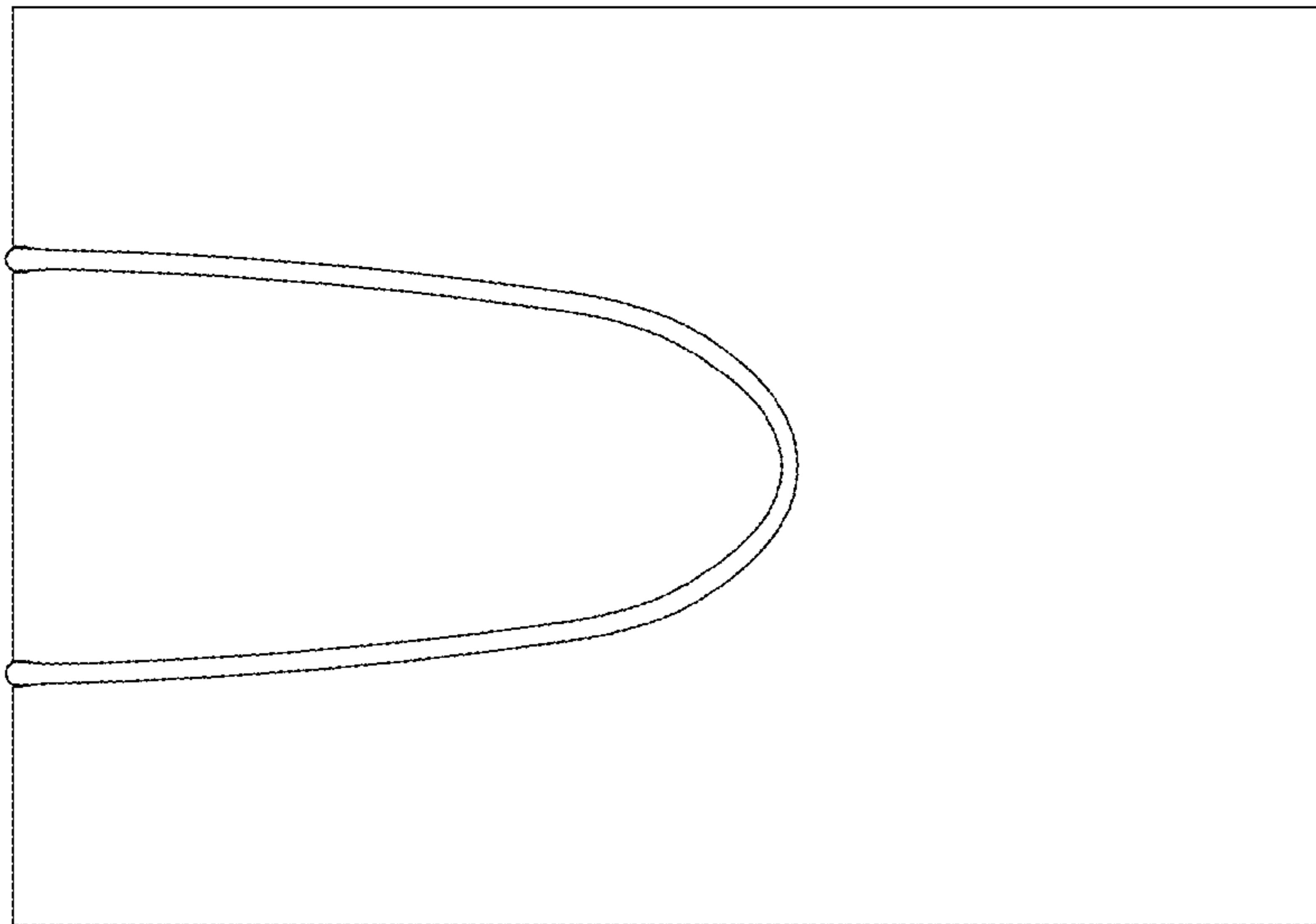


FIG. 11

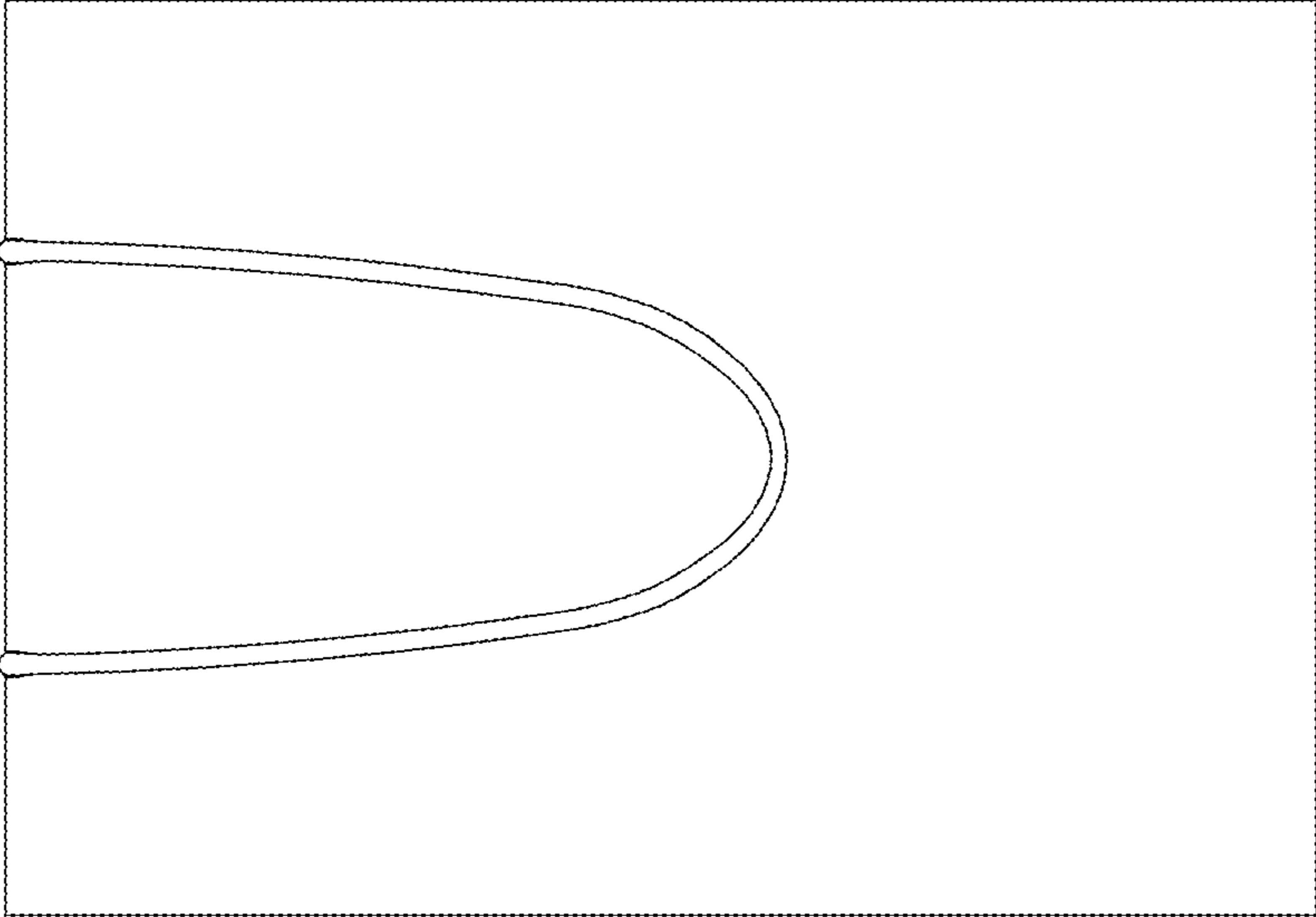


FIG. 12

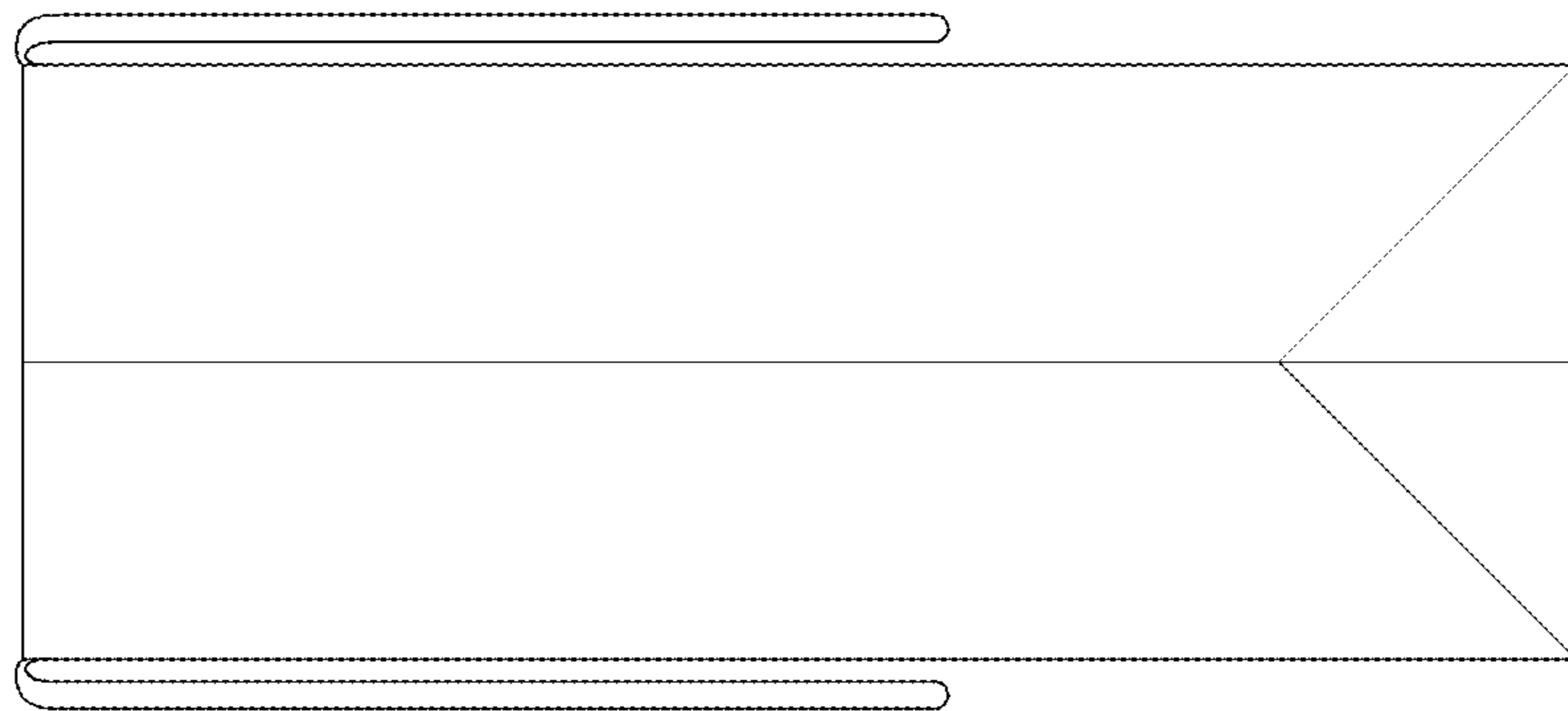


FIG. 13

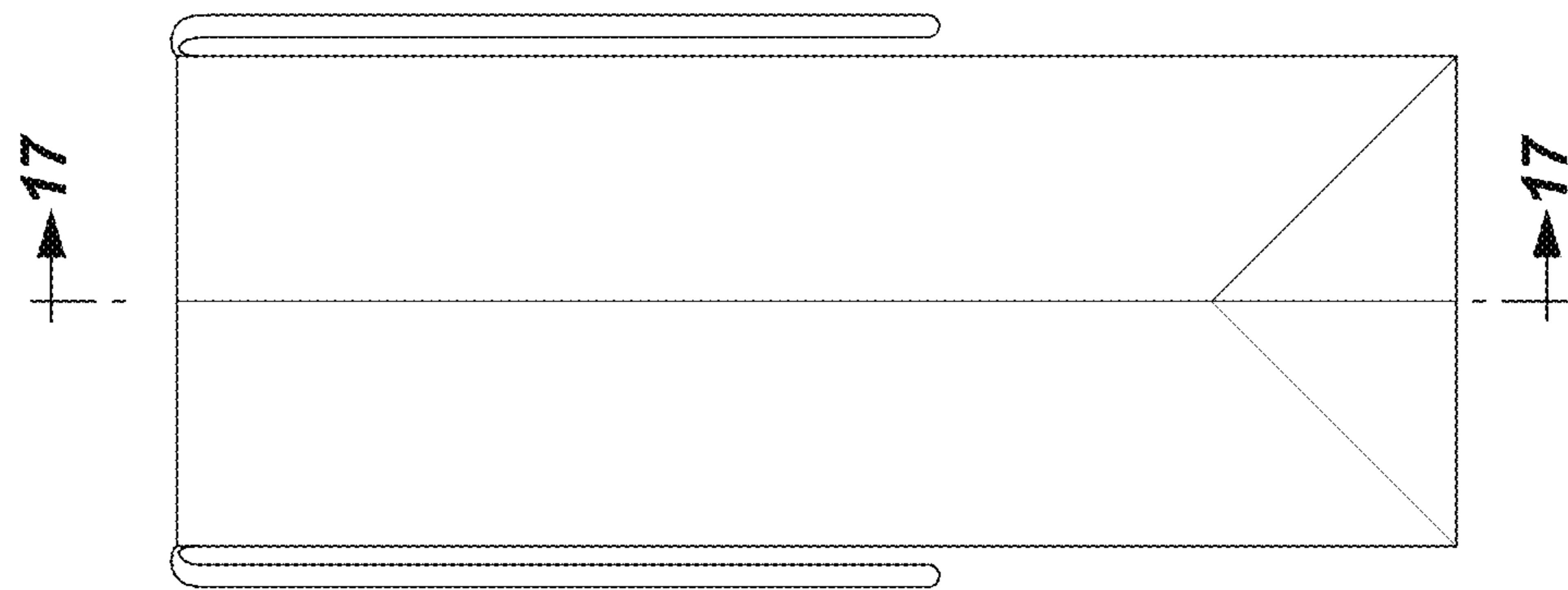


FIG. 14

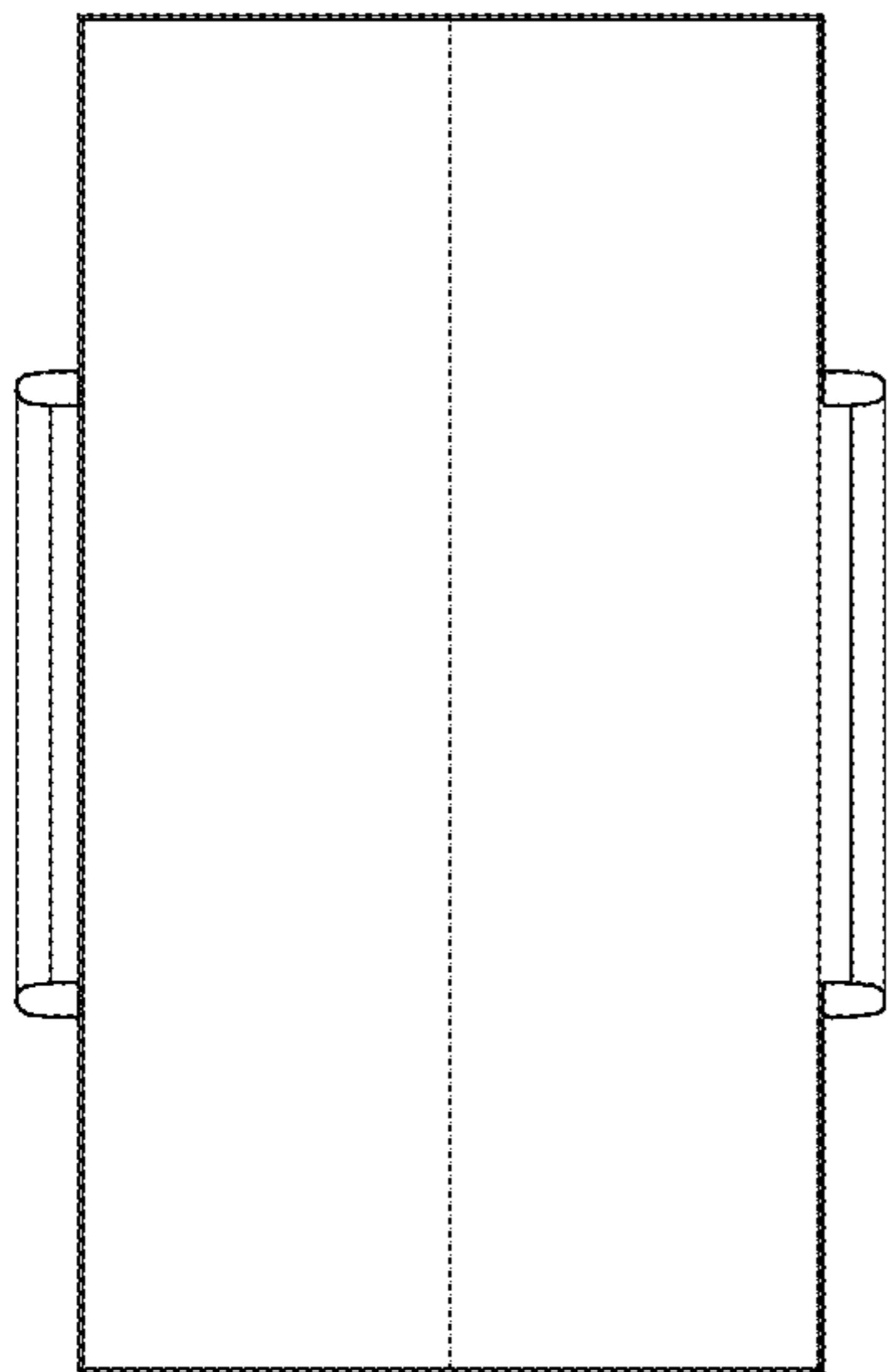


FIG. 15

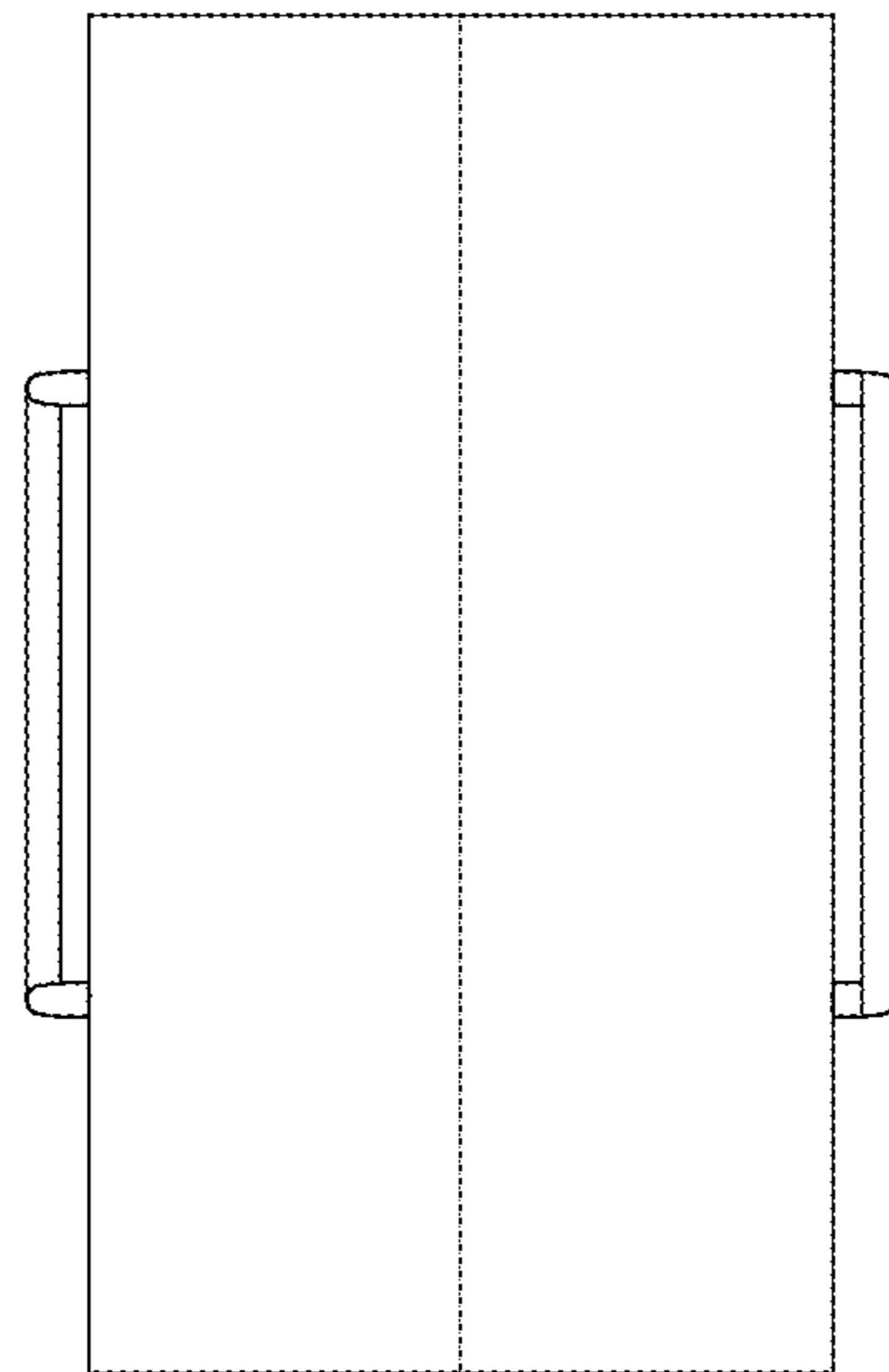


FIG. 16



FIG. 17

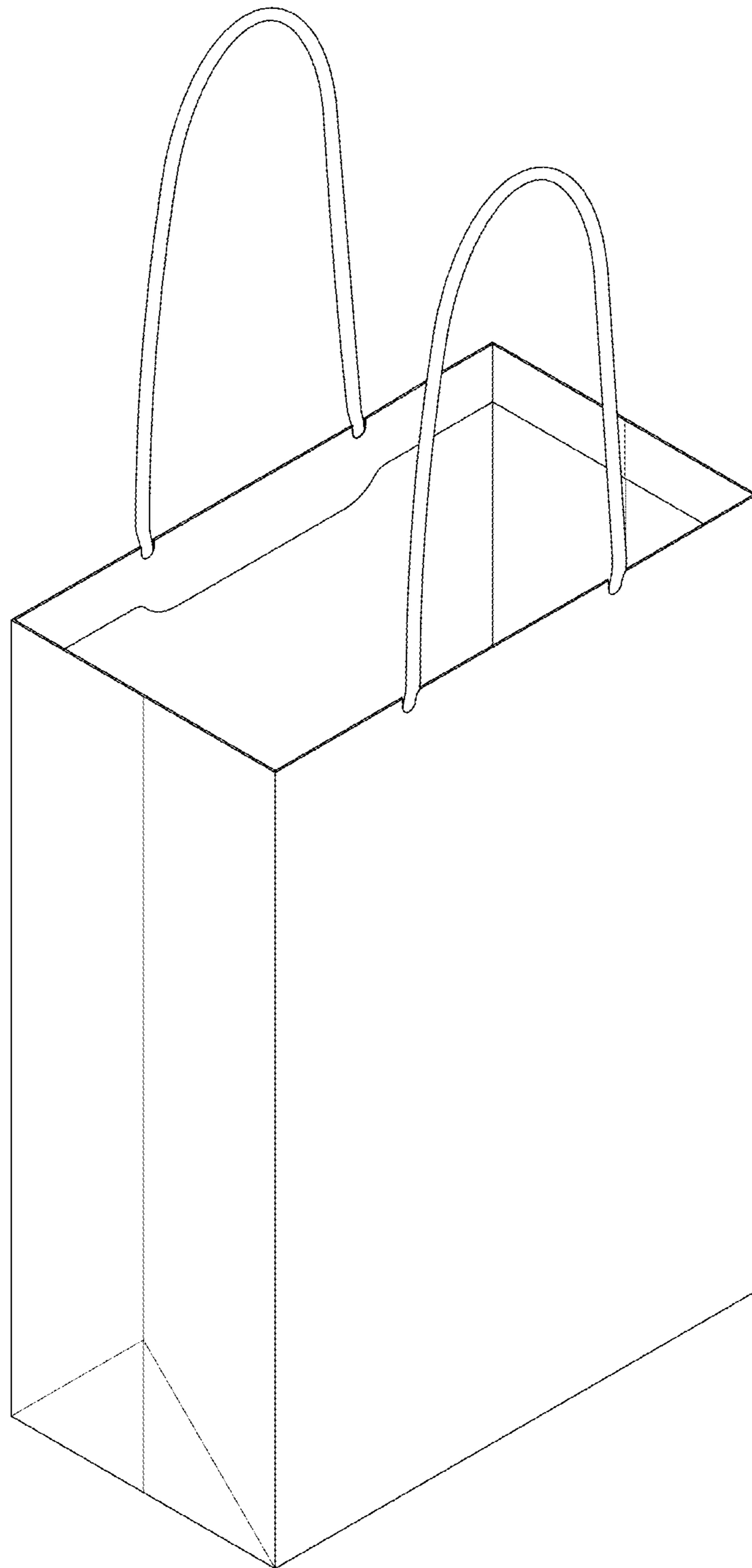


FIG. 18

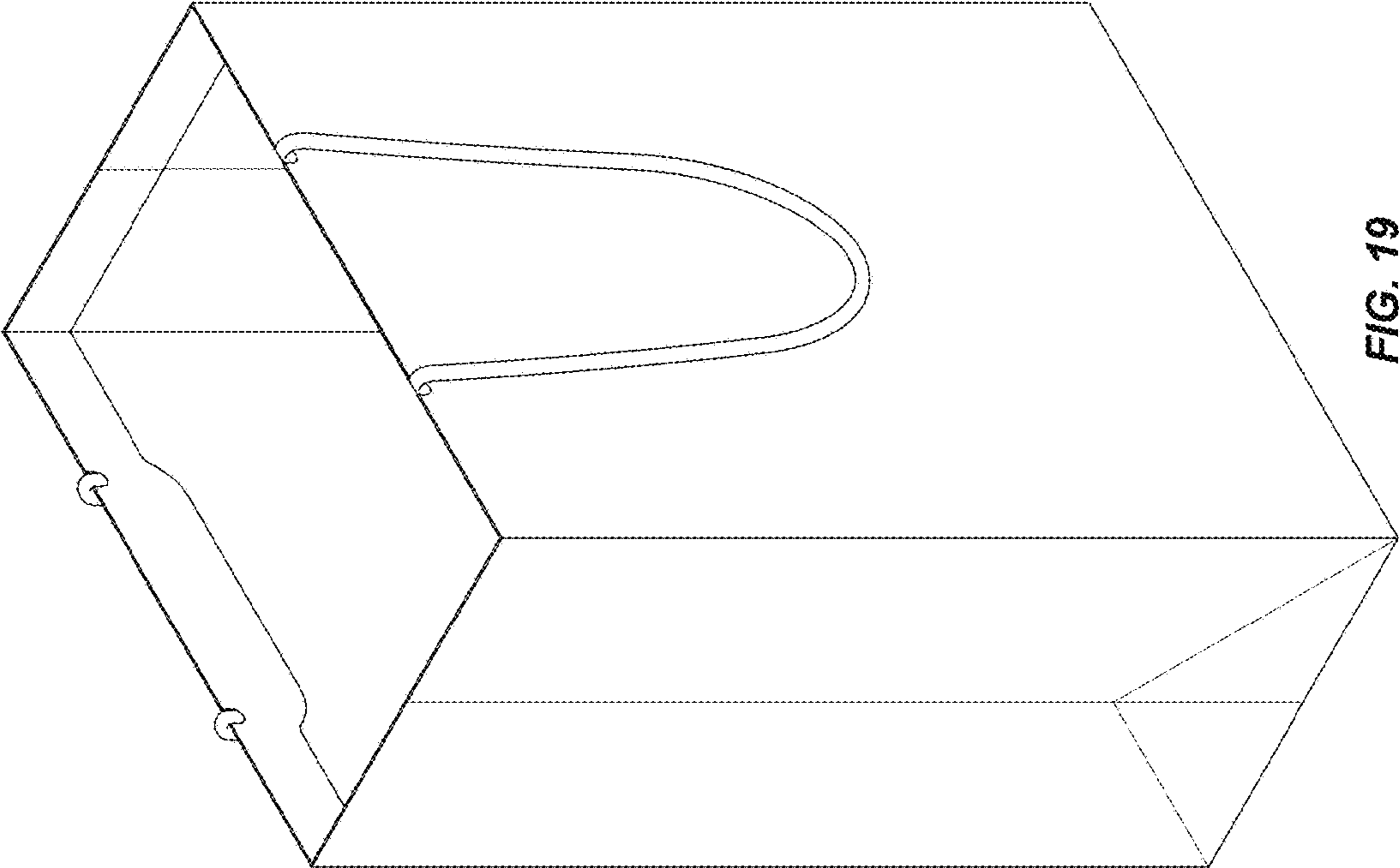


FIG. 19

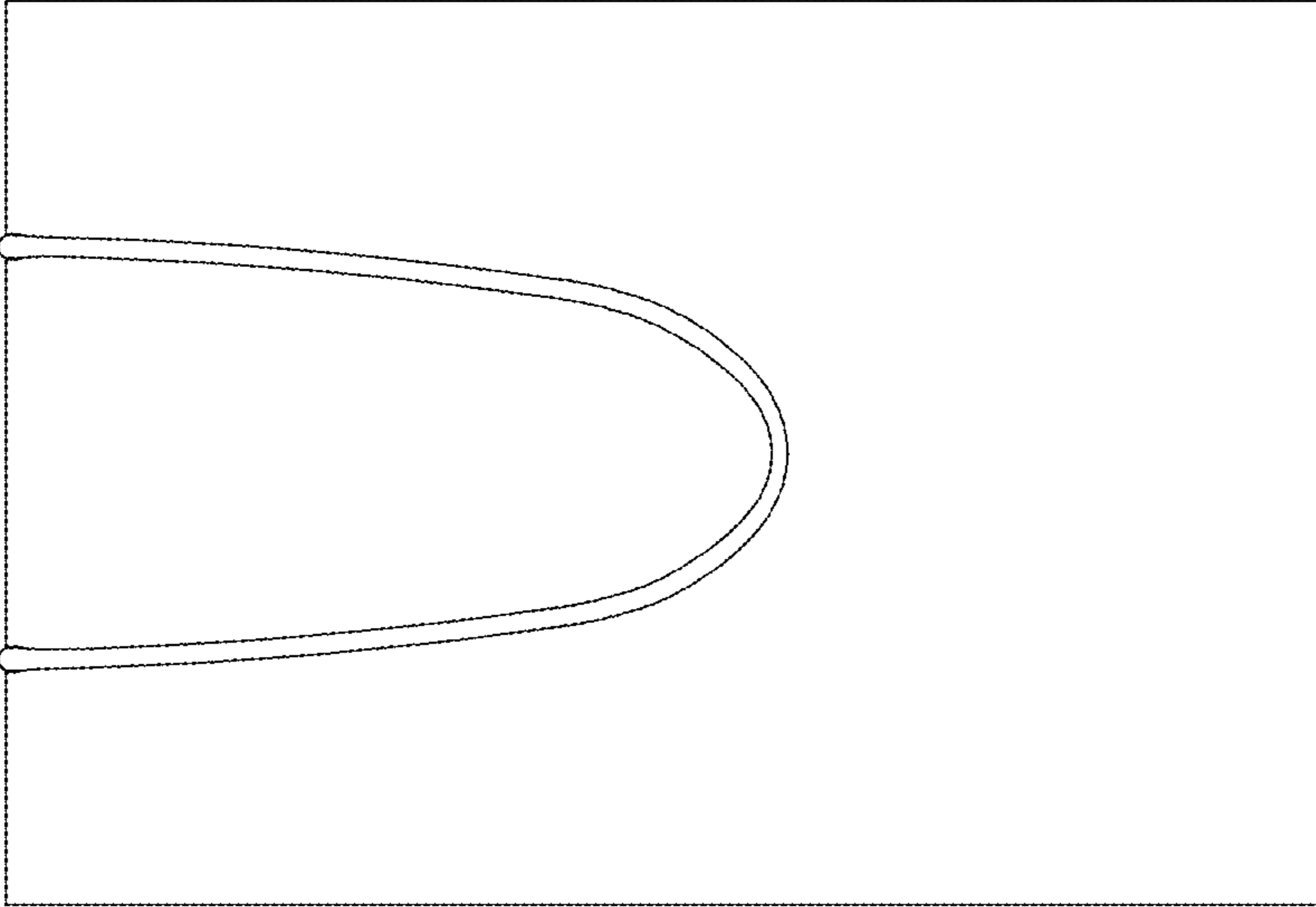


FIG. 20

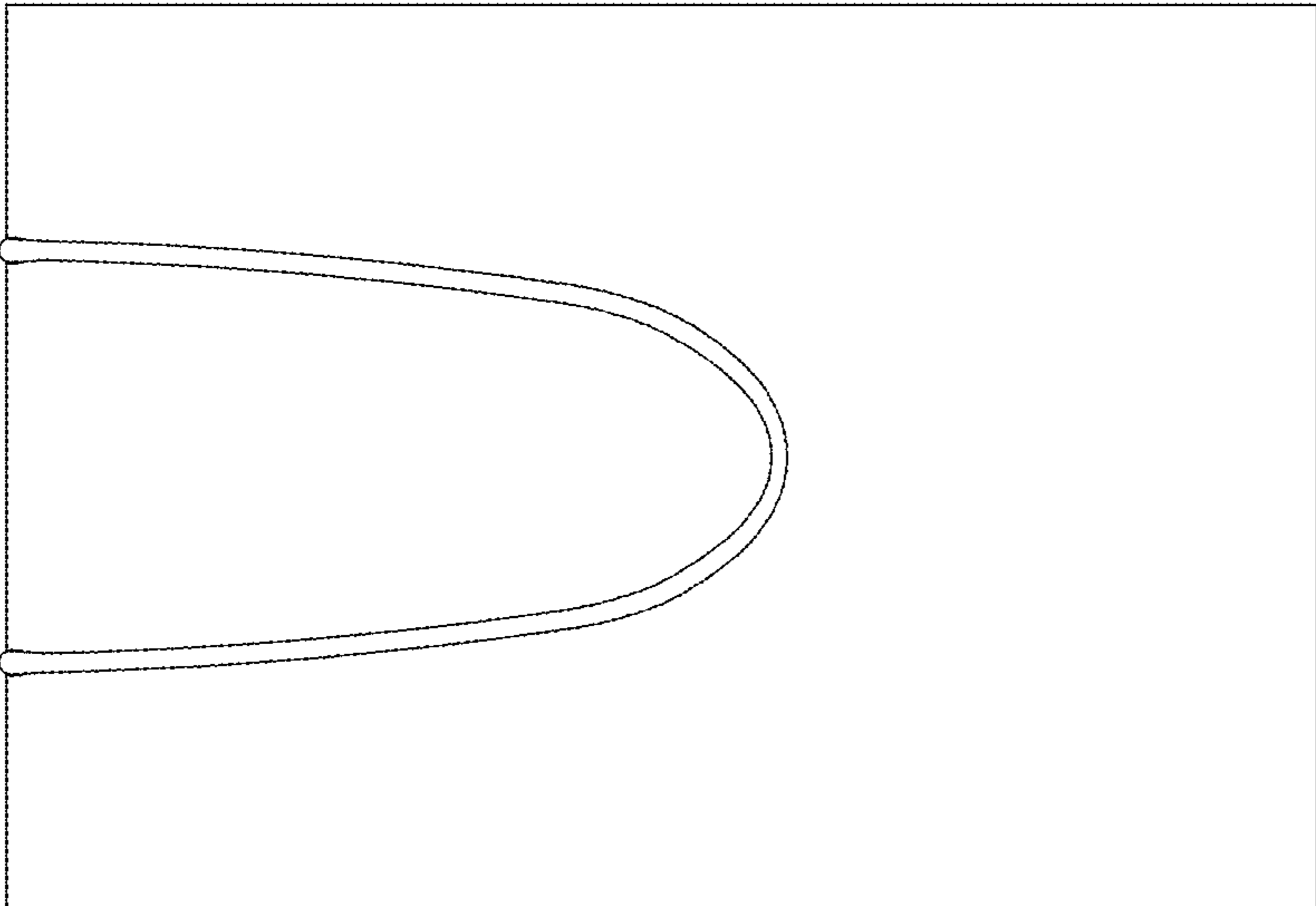


FIG. 21

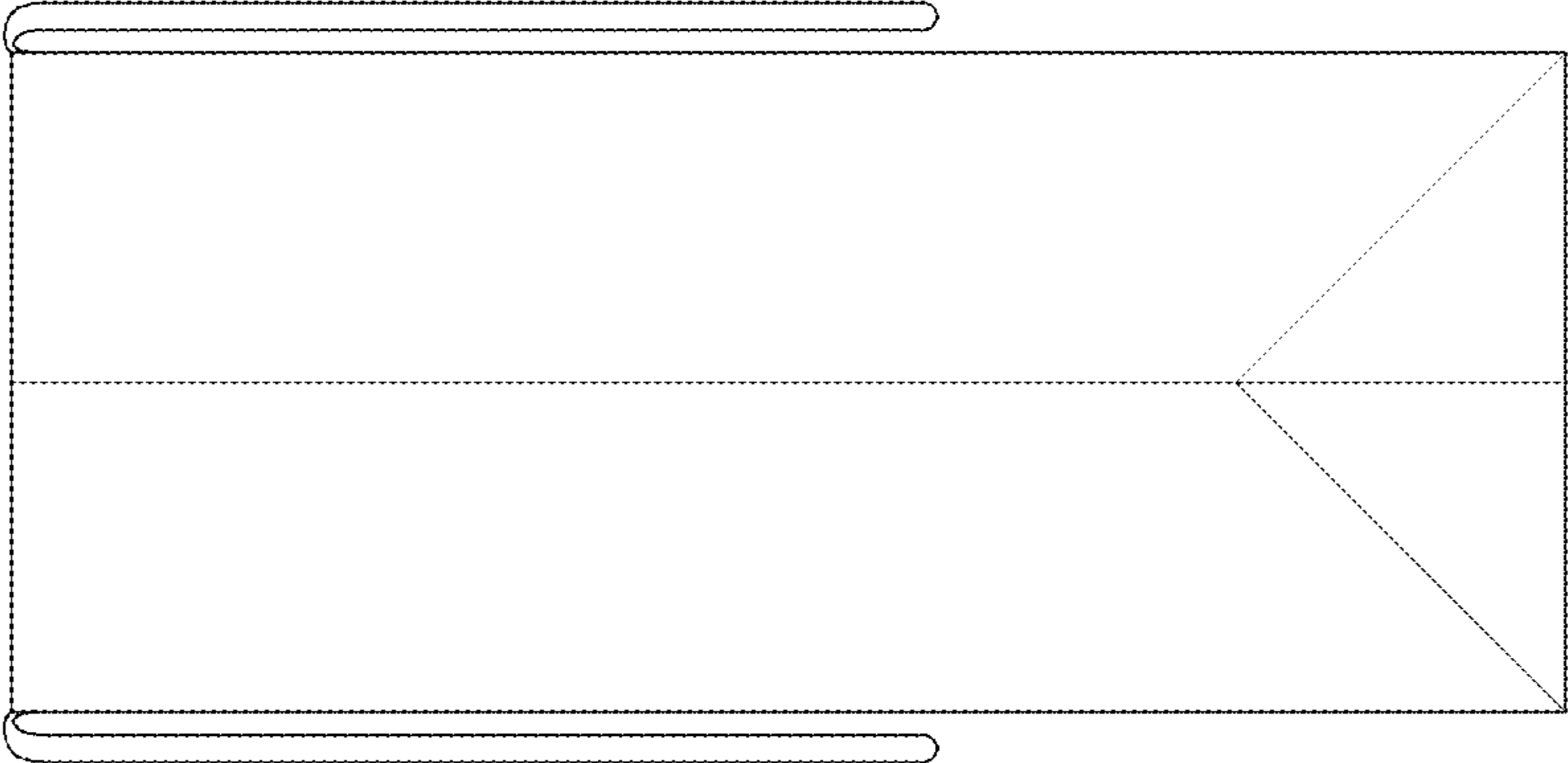


FIG. 22

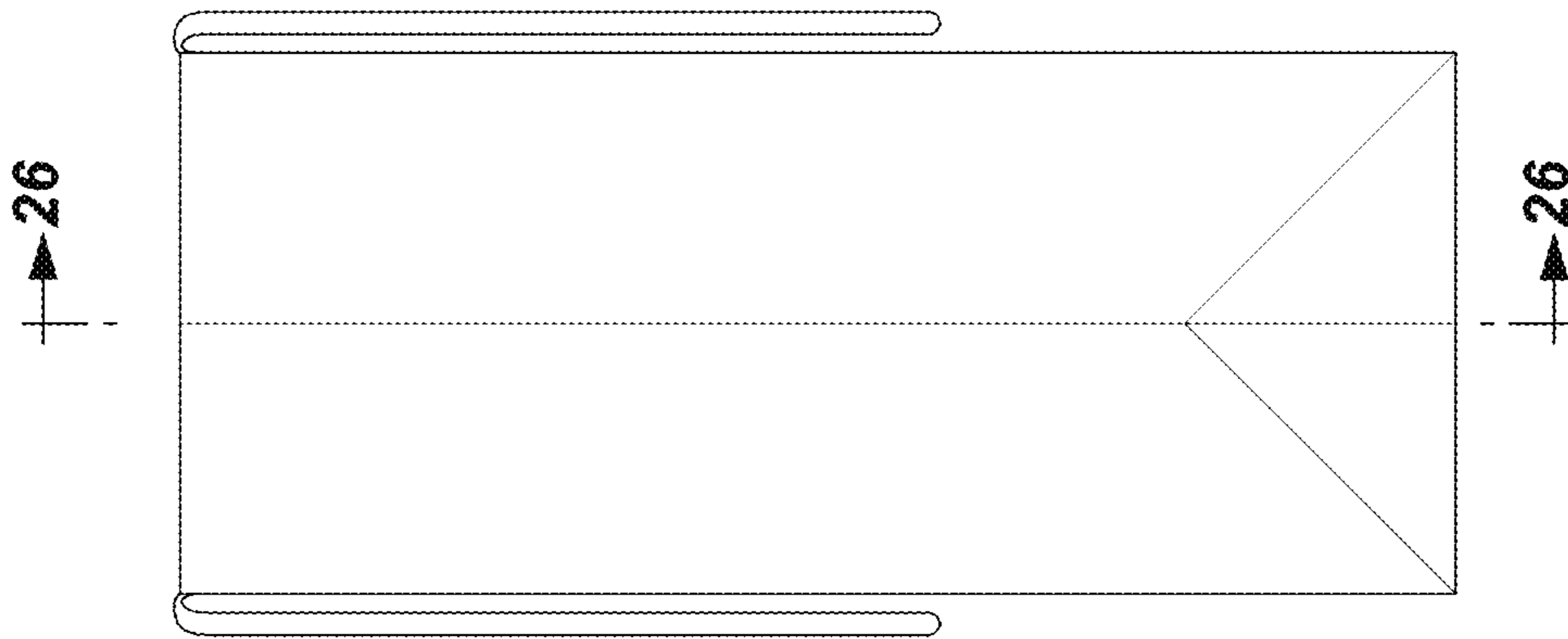


FIG. 23

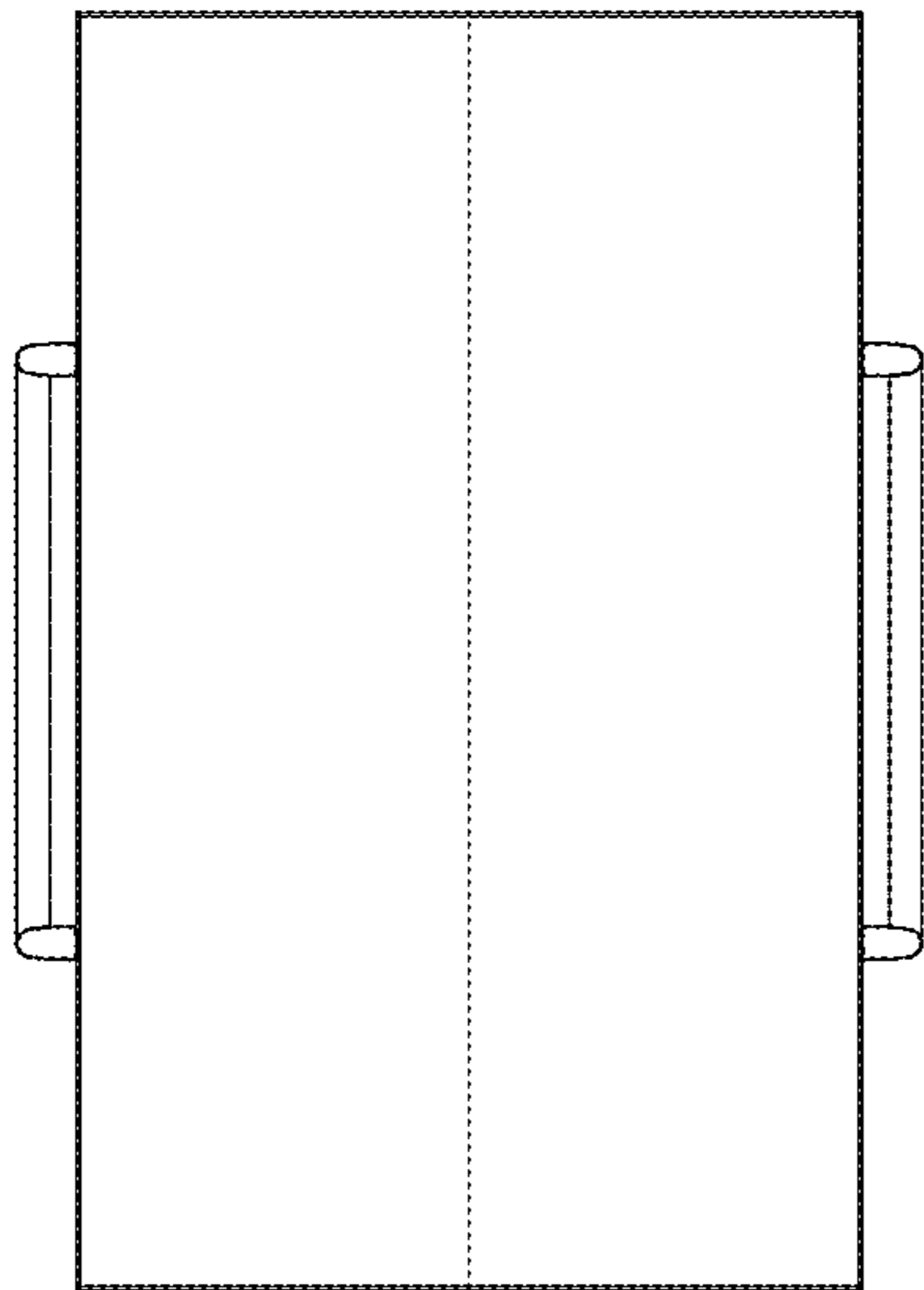


FIG. 24

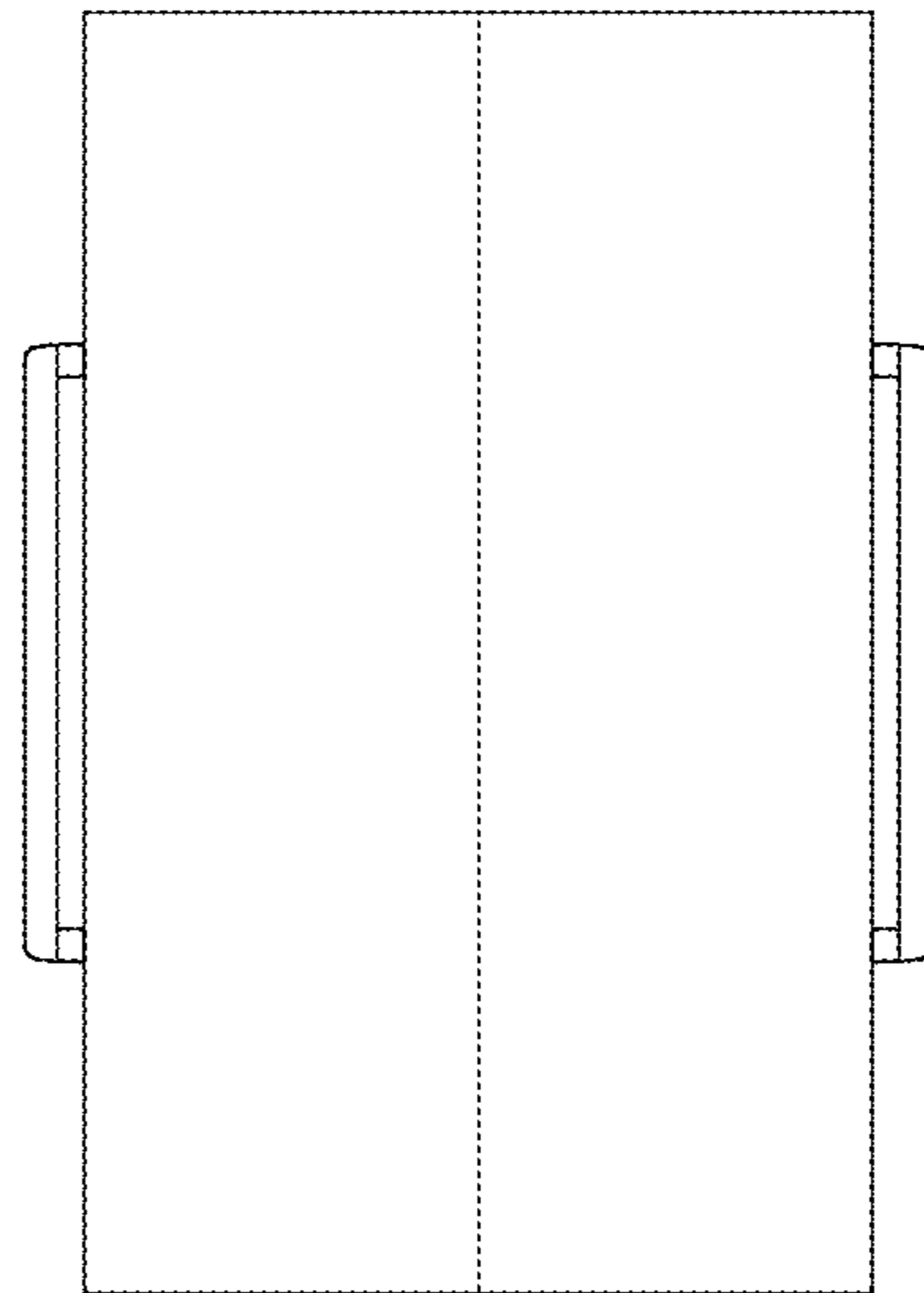


FIG. 25

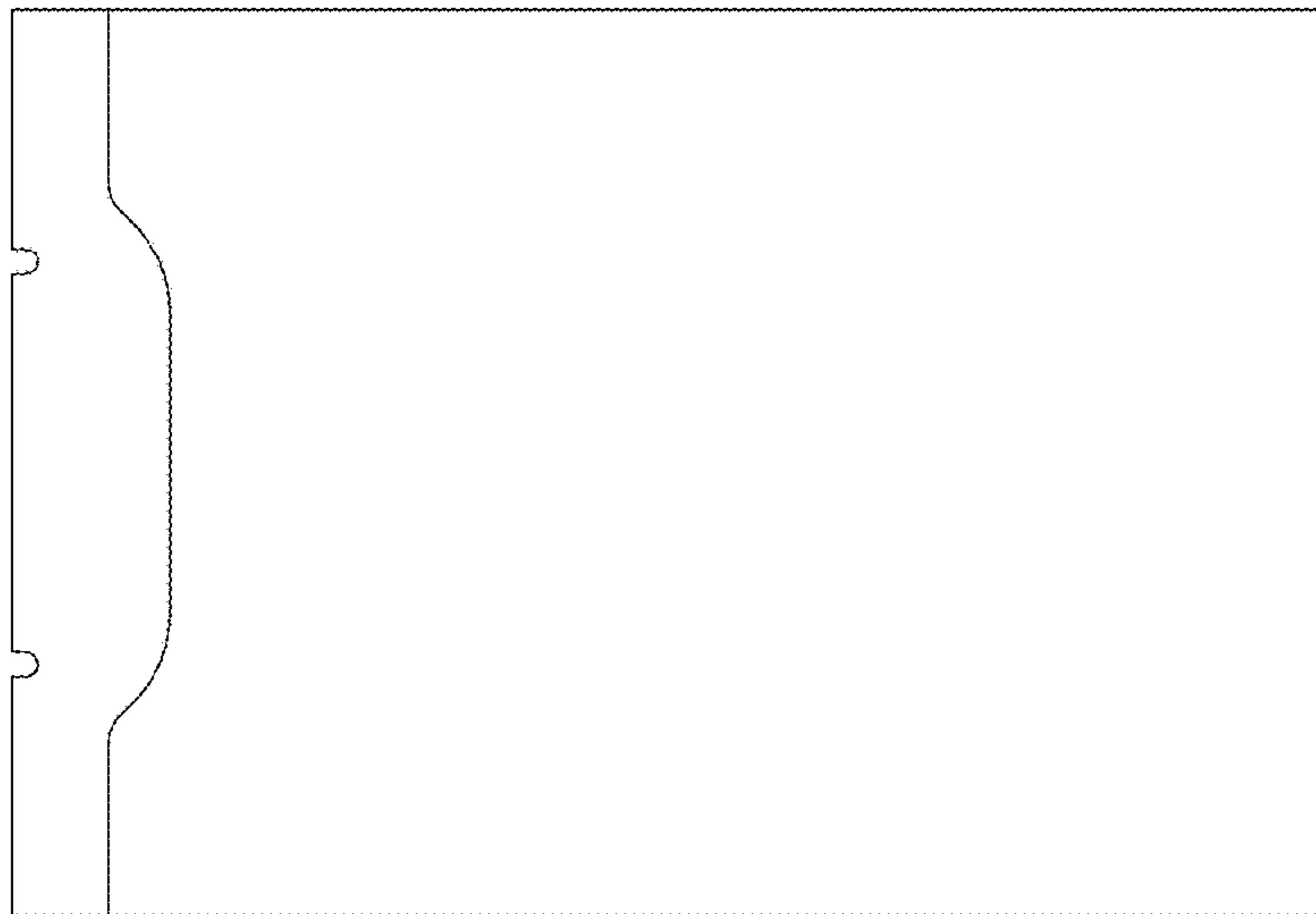


FIG. 26

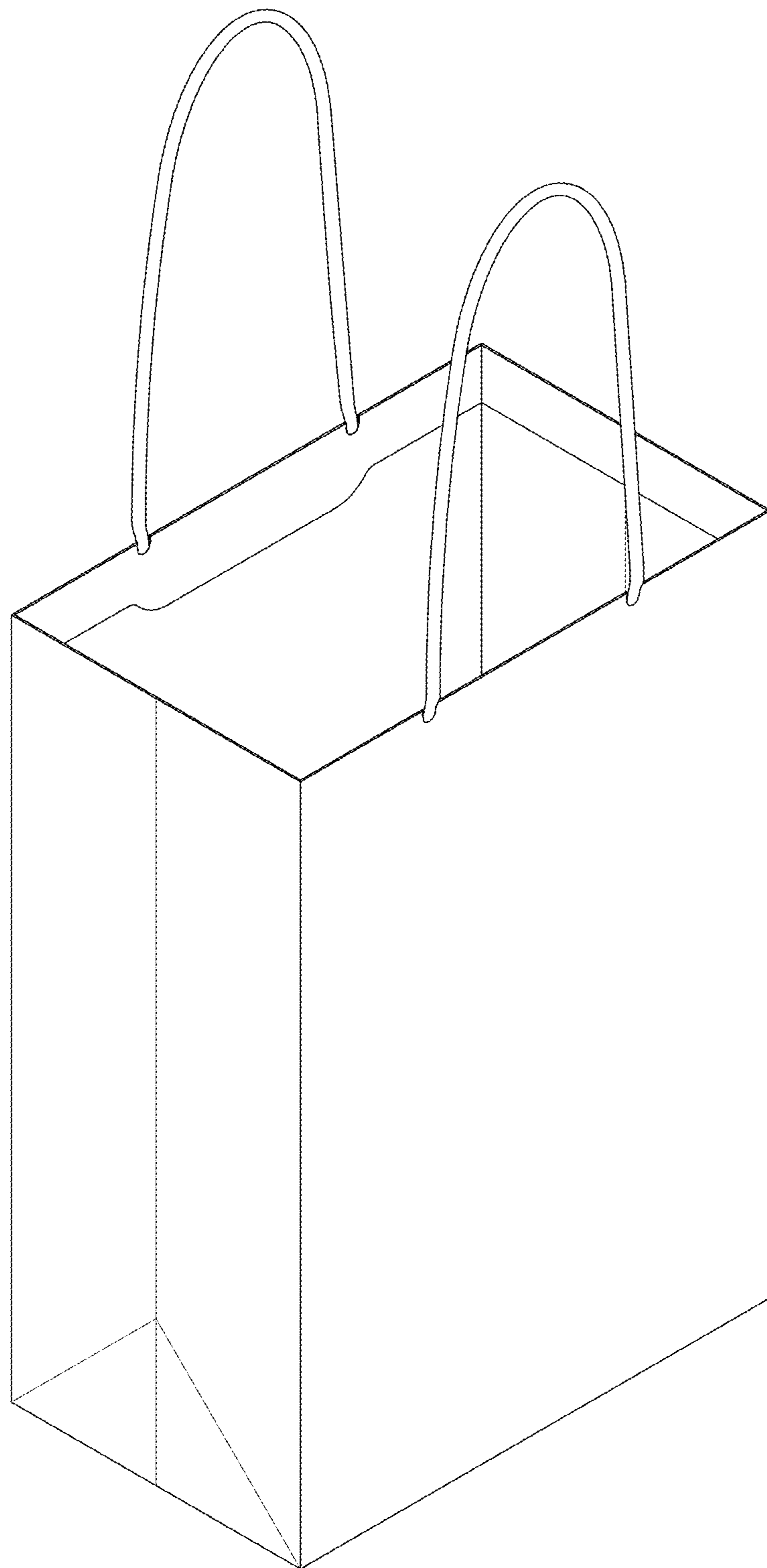


FIG. 27

UNITED STATES PATENT AND TRADEMARK OFFICE
CERTIFICATE OF CORRECTION

PATENT NO. : D785,463 S
APPLICATION NO. : 29/571256
DATED : May 2, 2017
INVENTOR(S) : Akana et al.

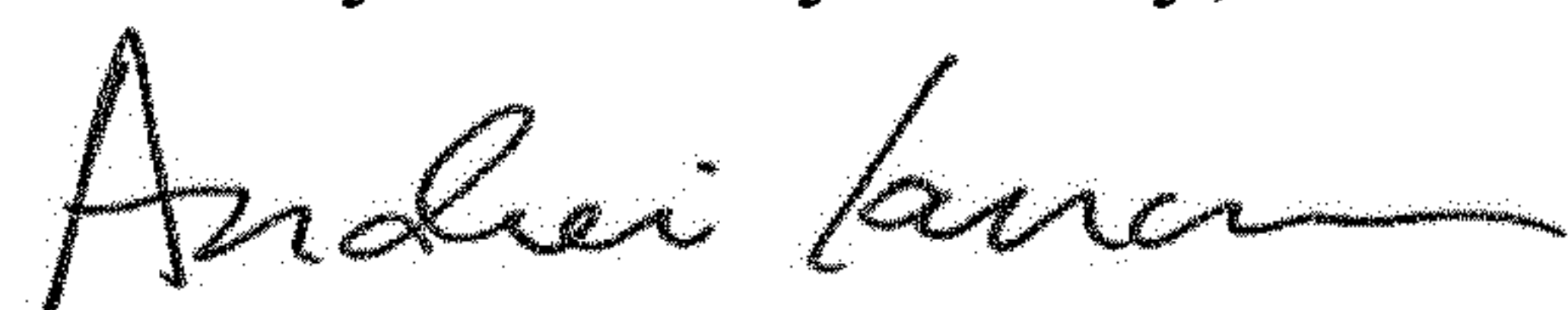
Page 1 of 1

It is certified that error appears in the above-identified patent and that said Letters Patent is hereby corrected as shown below:

On the Title Page

Column 2 Line 27 in Lines 1 through 6 of the "Description" section, delete the paragraph that reads, "This application incorporates by reference U.S. Design Application. All the material from the U.S. Application which is essential to the claimed design is included in this application. It is understood that any material in the U.S. Application which is not present in this application forms no part of the claimed design."

Signed and Sealed this
Thirty-first Day of July, 2018



Andrei Iancu
Director of the United States Patent and Trademark Office