



US00D785462S

(12) **United States Design Patent** (10) **Patent No.:** **US D785,462 S**  
**Contessa et al.** (45) **Date of Patent:** **\*\* May 2, 2017**

(54) **LAUNDRY DETERGENT PACKAGING BAG**

B65D 81/00; B65D 81/02; B65D 47/00;  
B65D 47/02; B65D 47/04; B65D 47/06

(71) Applicant: **HEX Performance, LLC**, Arnold, MD (US)

See application file for complete search history.

(72) Inventors: **Joseph Contessa**, Redding, CT (US);  
**Drew Westervelt**, Baltimore, MD (US);  
**Andrew C. White**, Lititz, PA (US)

(56) **References Cited**

U.S. PATENT DOCUMENTS

(73) Assignee: **HEX PERFORMANCE, LLC**, Arnold, MD (US)

D237,018 S 9/1975 Betka et al.  
D392,559 S 3/1998 Smith et al.  
D409,481 S 5/1999 Smith et al.  
D412,665 S 8/1999 Smith et al.  
6,076,968 A 6/2000 Smith et al.  
D435,440 S 12/2000 Croft et al.  
6,164,825 A 12/2000 Larkin et al.  
D448,988 S 10/2001 Bell et al.  
D453,295 S 2/2002 Bell et al.  
D454,487 S 3/2002 Bell et al.

(\*\*) Term: **15 Years**

(21) Appl. No.: **29/556,083**

(22) Filed: **Feb. 26, 2016**

(Continued)

**Related U.S. Application Data**

*Primary Examiner* — Abraham Bahta

(62) Division of application No. 29/519,364, filed on Mar. 4, 2015, now Pat. No. Des. 764,930.

(74) *Attorney, Agent, or Firm* — James A. Sheridan;  
Sheridan Law, LLC

(51) **LOC (10) Cl.** ..... **09-05**

(57) **CLAIM**

(52) **U.S. Cl.**

The ornamental design for a laundry detergent packaging bag, as shown and described.

USPC ..... **D9/702**

(58) **Field of Classification Search**

**DESCRIPTION**

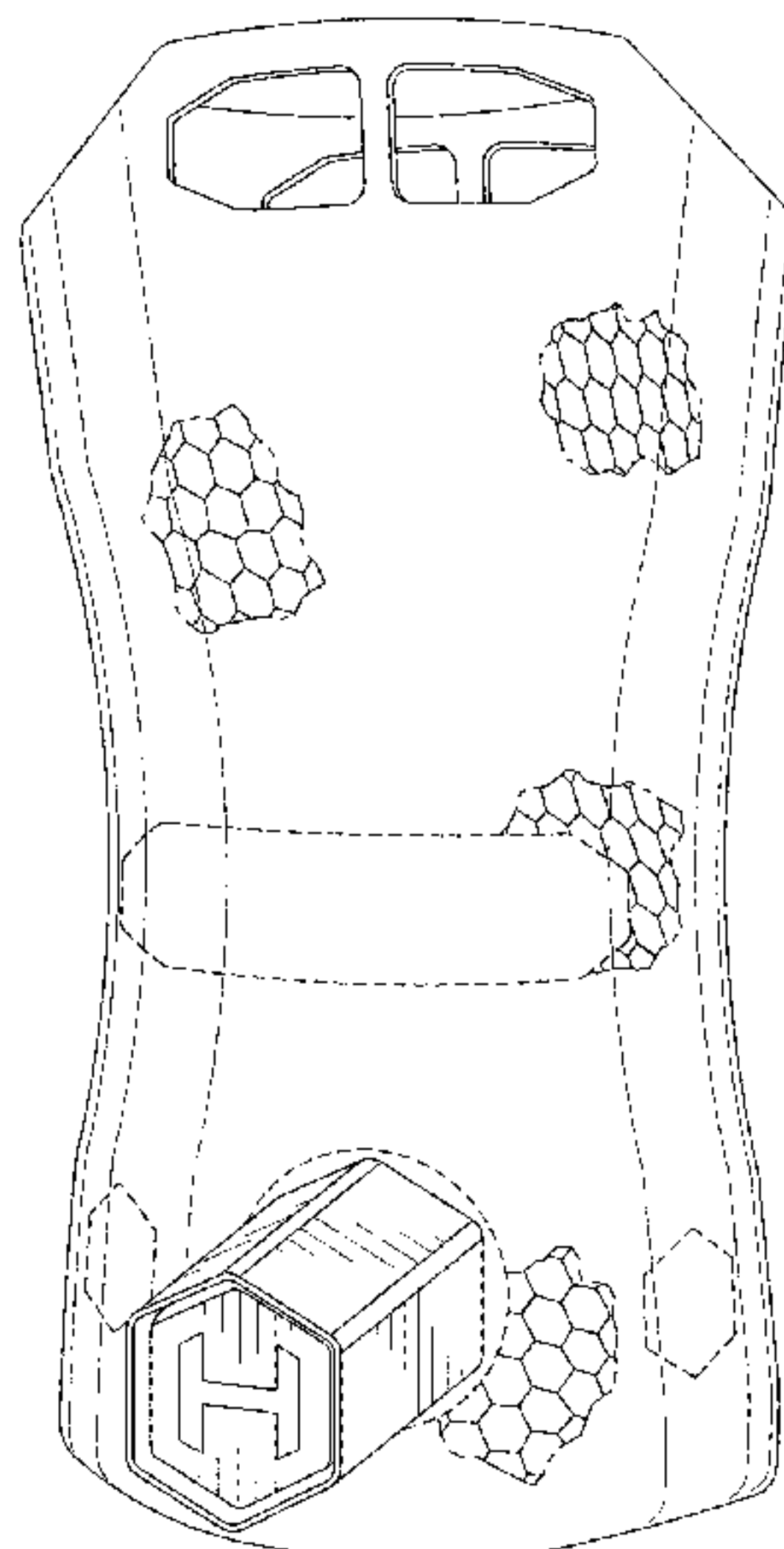
USPC ..... D9/702-714, 429-432, 447, 720, 414,  
D9/434-435, 696, 716, 771, 522,  
D9/571-575, 682, 738-747, 516-517,  
D9/529-530, 547-549, 569, 537-538,  
D9/544, 503-505, 545; 383/6, 9, 22, 96,  
383/61.1, 80-81, 104, 901, 63, 203, 107,  
383/119, 120, 123; D24/118, 207;  
222/92, 107, 206; 604/410, 403, 316,  
604/408; 220/495.03, 669, 675;  
215/381-385, 12.1; D3/202, 303, 232,  
D3/244

FIG. 1 is a perspective view of the laundry detergent packaging bag showing our new design;  
FIG. 2 is a front elevational view of the bag;  
FIG. 3 is a rear elevational view of the bag;  
FIG. 4 is a left side elevational view of the bag;  
FIG. 5 is a right side elevational view of the bag;  
FIG. 6 is a top plan view of the bag; and,  
FIG. 7 is a bottom plan view of the bag.

CPC ..... B65D 1/00; B65D 1/0223; B65D 1/24;  
B65D 1/38; B65D 1/02; B65D 11/00;  
B65D 11/02; B65D 11/04; B65D 11/10;  
B65D 11/14; B65D 11/20; B65D 29/00;  
B65D 29/02; B65D 29/04; B65D 33/00;  
B65D 33/02; B65D 41/00; B65D 41/02;

The broken line showing of portions of the laundry detergent packaging bag is included for the purpose of illustrating environmental structure and forms no part of the claimed design.

**1 Claim, 7 Drawing Sheets**



(56)

**References Cited**

U.S. PATENT DOCUMENTS

D455,645	S	4/2002	Bell et al.	
D478,504	S	8/2003	Crozet et al.	
D508,413	S	8/2005	Ueda	
D526,573	S	8/2006	Ueda	
D528,011	S	9/2006	Ueda	
D551,568	S	9/2007	Berman	
D558,601	S	1/2008	Berman	
D560,122	S	1/2008	Fuchs et al.	
D581,808	S	12/2008	Schwartz	
D582,788	S	12/2008	Smith	
D583,255	S	12/2008	Castor	
D680,446	S	4/2013	Moynihan	
D680,447	S	4/2013	Fang	
D680,880	S	4/2013	Johnson et al.	
8,408,790	B2 *	4/2013	Reilly .....	B65D 33/01 383/10
D691,898	S	10/2013	Johnson, Jr. et al.	
D699,128	S	2/2014	Moynihan	
D701,774	S	4/2014	Steigelman	
D707,499	S	6/2014	Murray	
D711,251	S	8/2014	Epstein et al.	
D714,657	S	10/2014	White	
D716,667	S	11/2014	James et al.	
D716,668	S	11/2014	James et al.	
9,211,987	B2	12/2015	James et al.	

\* cited by examiner

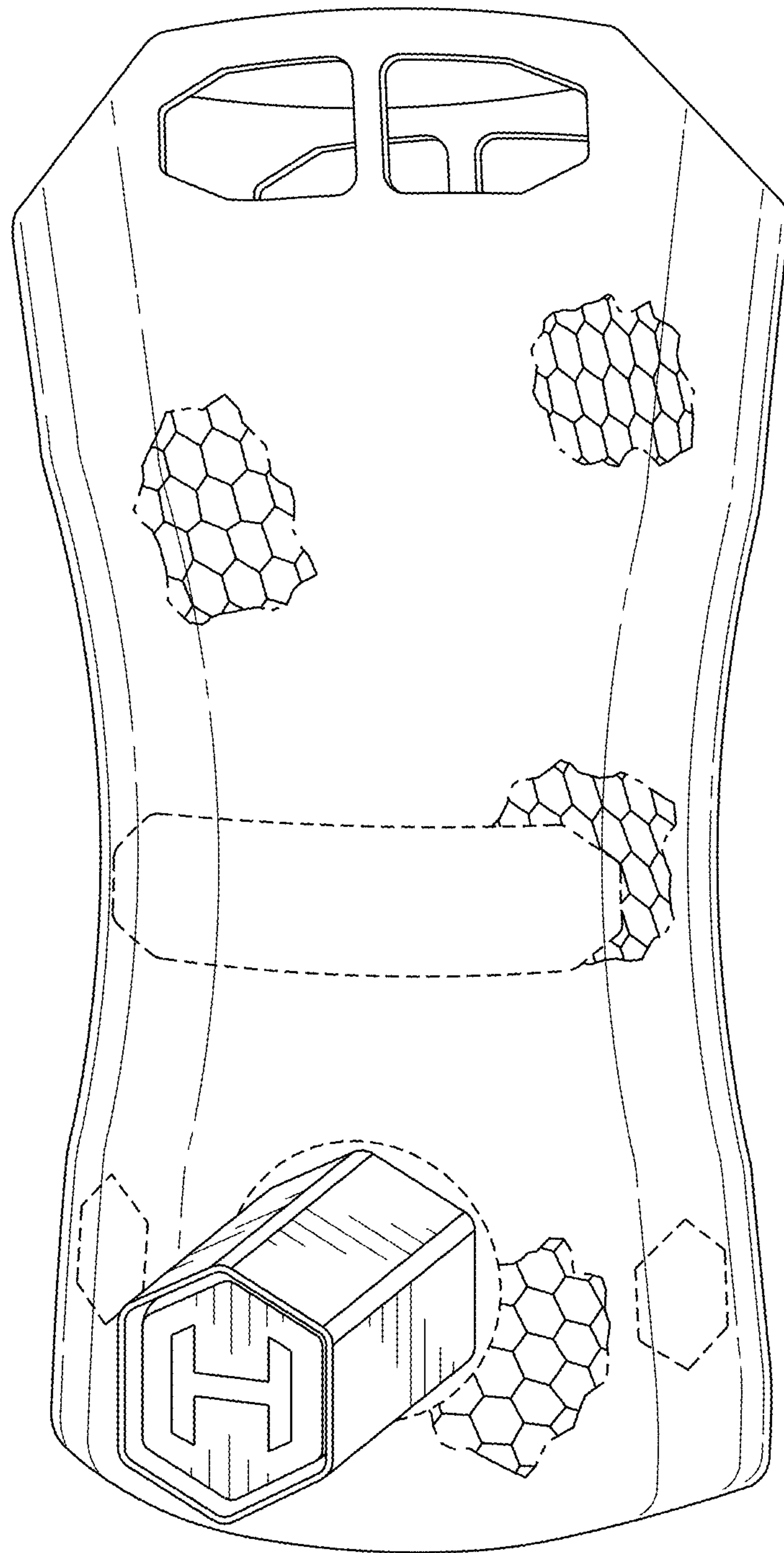


FIG. 1

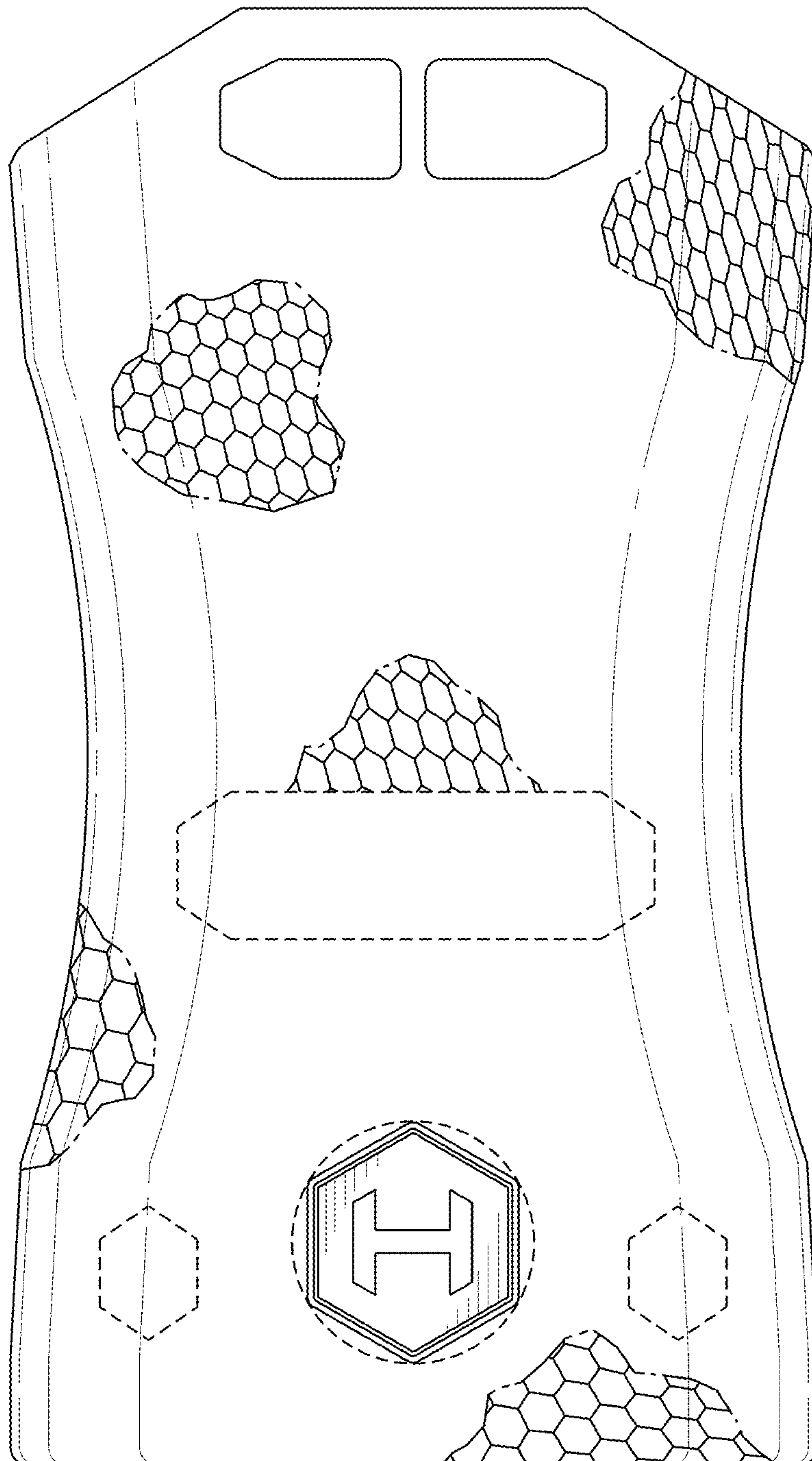


FIG. 2

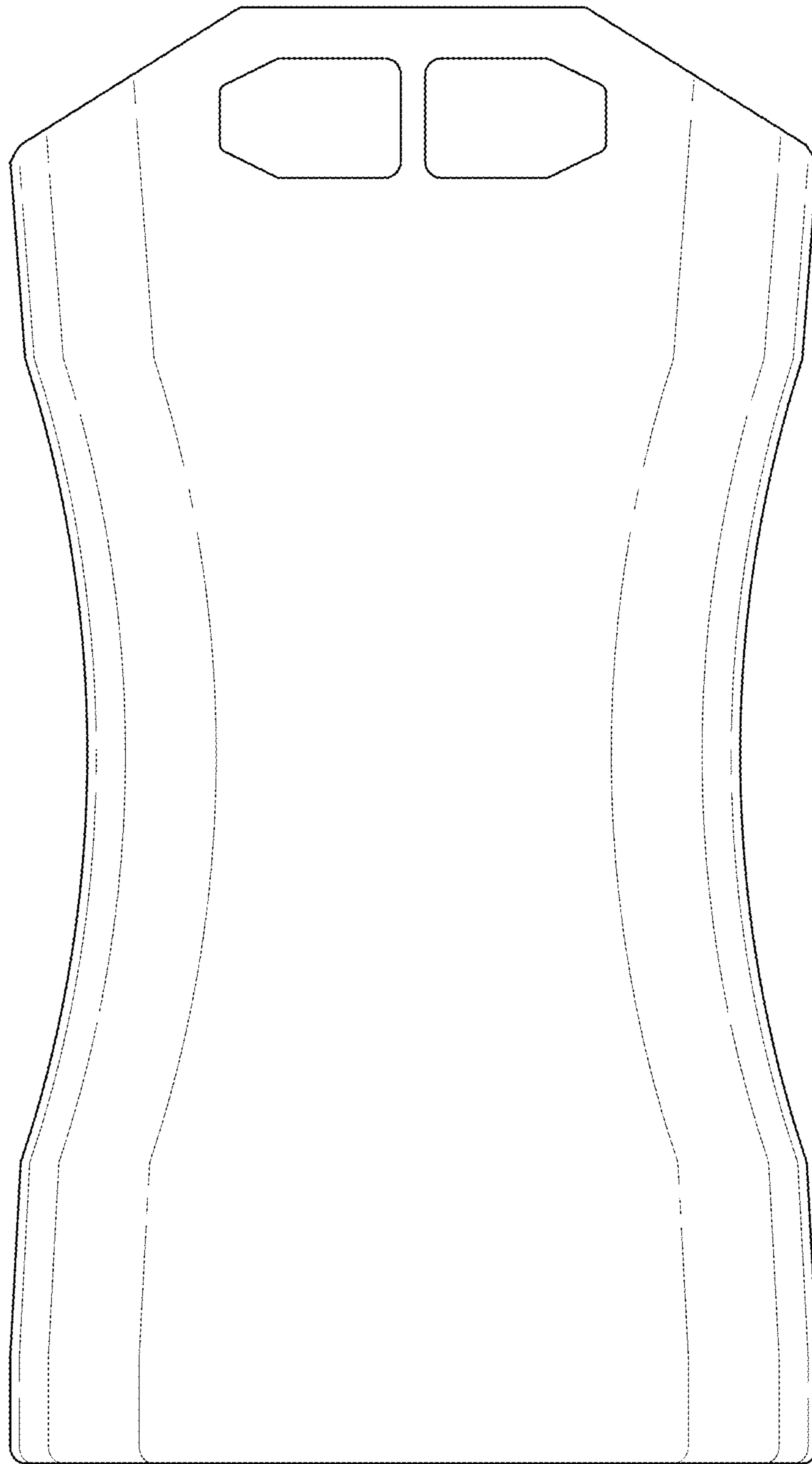


FIG. 3



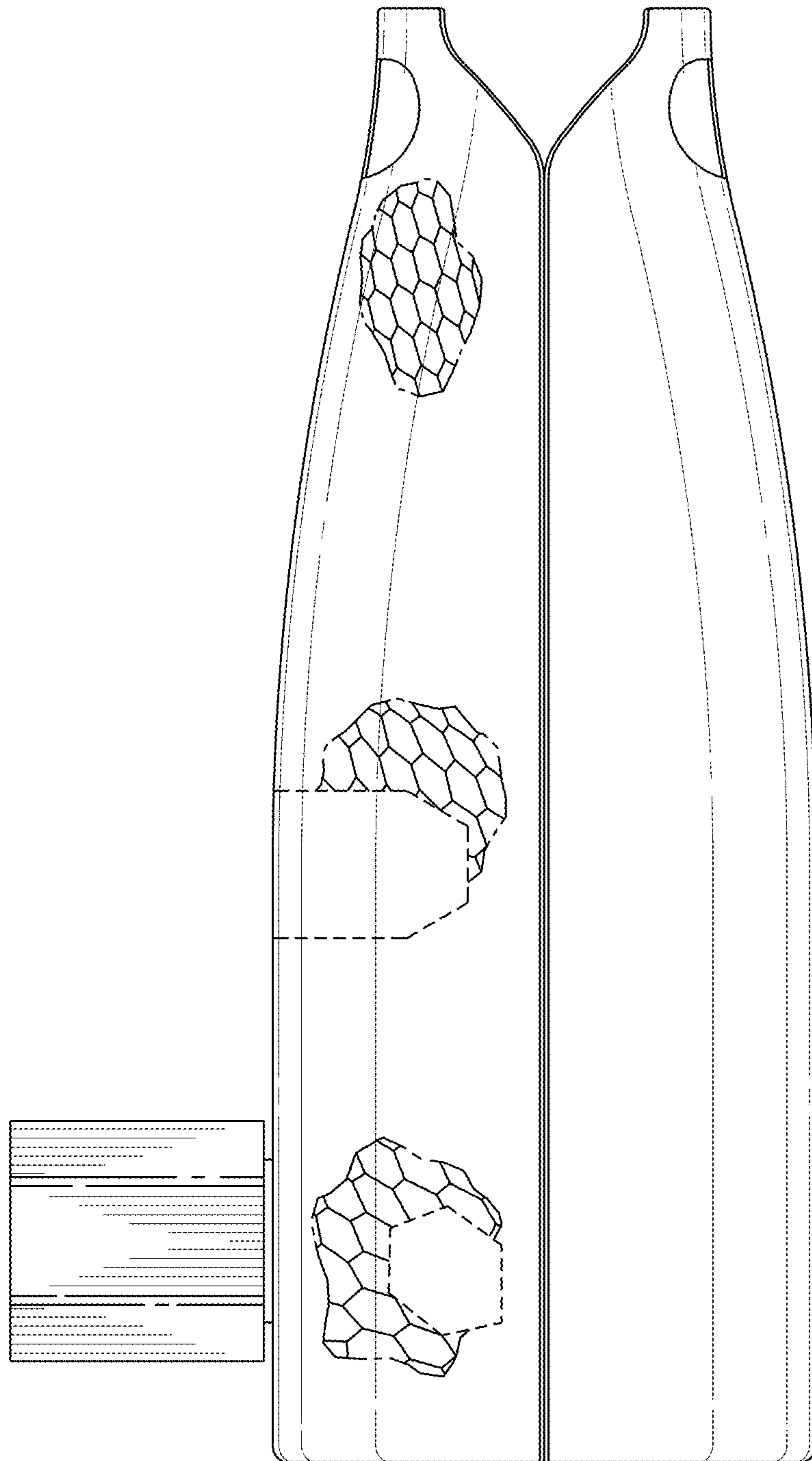


FIG. 4

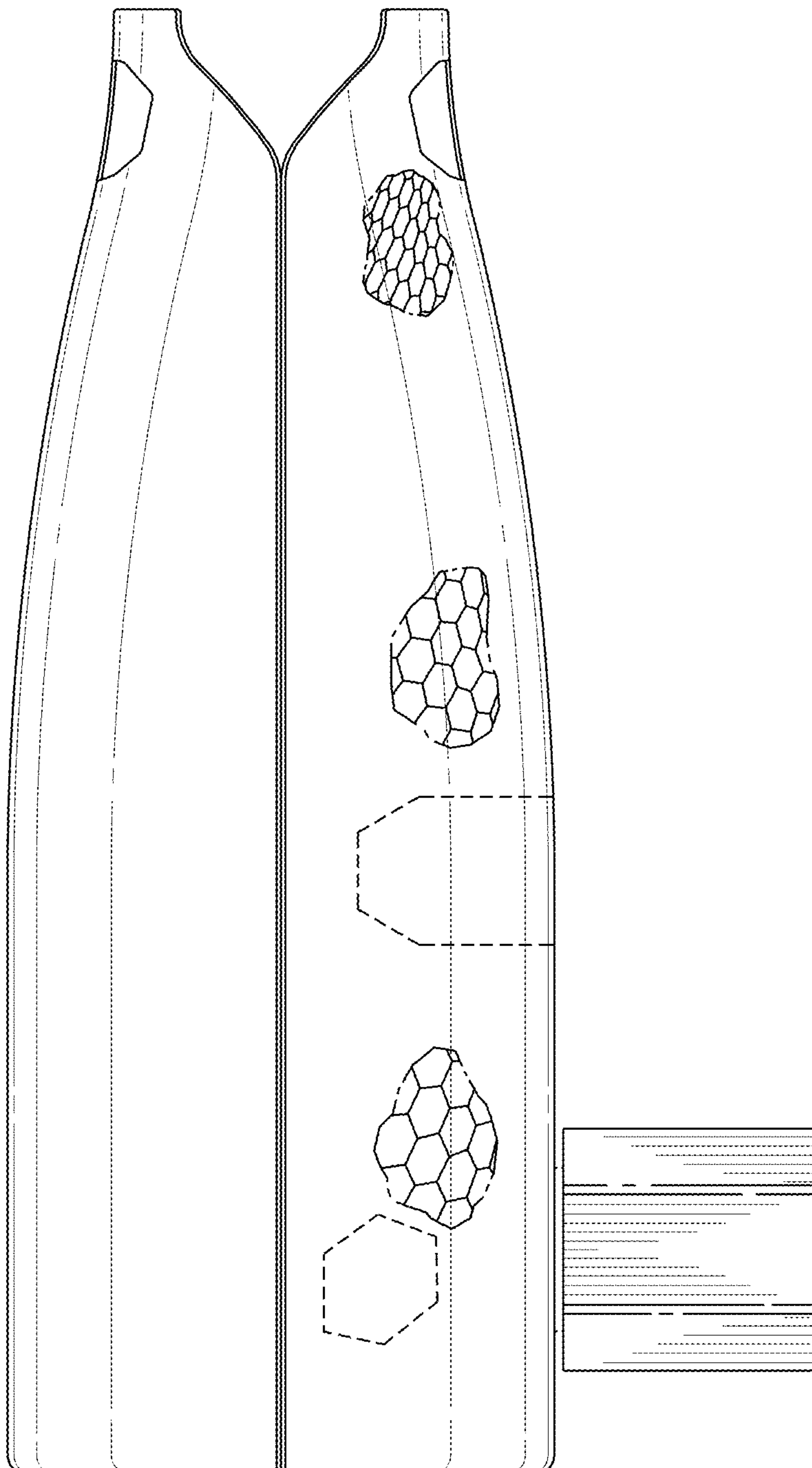


FIG. 5

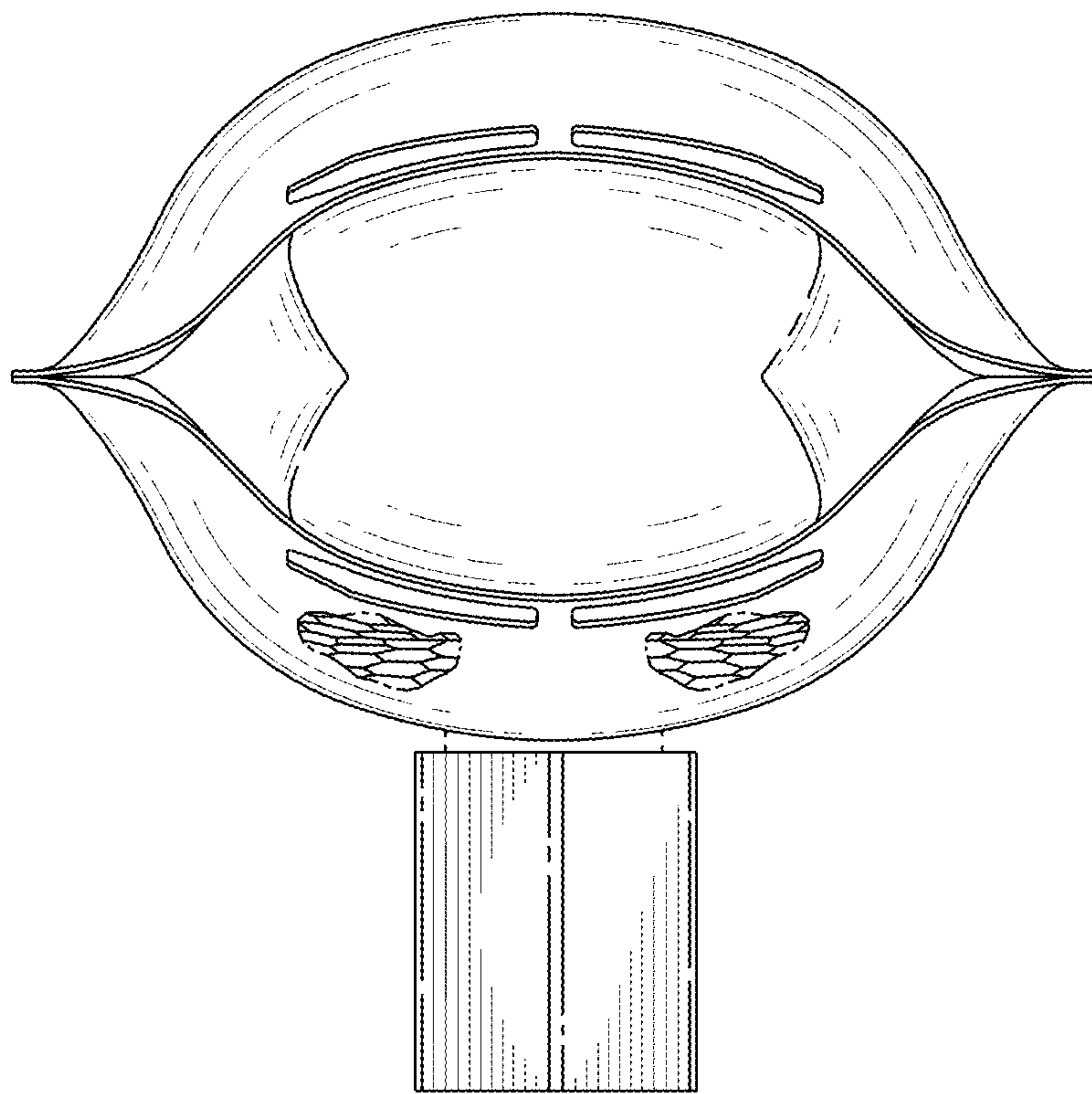


FIG. 6



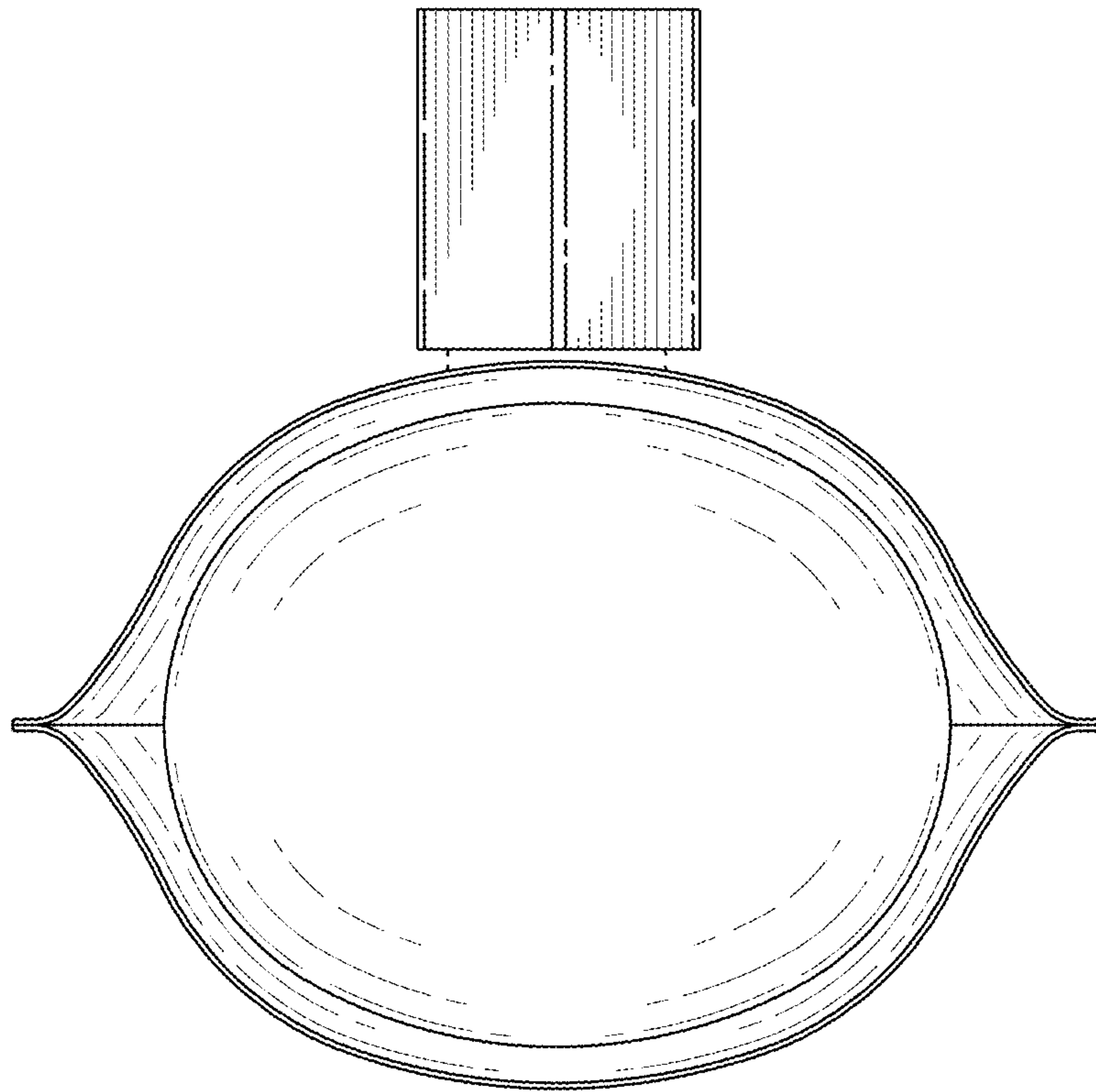


FIG. 7