



US00D785461S

(12) **United States Design Patent** (10) **Patent No.:** **US D785,461 S**  
**Kessler, Jr. et al.** (45) **Date of Patent:** **\*\* May 2, 2017**

(54) **GUSSET GRIP CONTAINER**  
(71) Applicant: **Printpack Illinois, Inc.**, Elgin, IL (US)  
(72) Inventors: **David J. Kessler, Jr.**, Atlanta, GA (US); **Brenton Holloway**, Smyrna, GA (US)  
(73) Assignee: **Printpack Illinois, Inc.**, Elgin, IL (US)  
(\*\*) Term: **14 Years**  
(21) Appl. No.: **29/513,218**

(22) Filed: **Dec. 29, 2014**  
(51) **LOC (10) Cl.** ..... **09-05**  
(52) **U.S. Cl.**  
USPC ..... **D9/702**  
(58) **Field of Classification Search**  
USPC ..... D9/702-714, 720-722, 414, 434-435, D9/696, 716, 771, 447, 516-517, D9/738-747, 544; D24/118, 207; 383/6, 383/9, 22, 96, 61.1, 80-81, 104, 901, 63, 383/203, 107, 119-120, 123; 222/107, 222/92, 206; 604/408, 410, 403; 220/495.03, 675; 215/381-385, 400; 206/484; D3/202; 428/34.3  
CPC . B65D 77/38; B65D 1/02; B65D 1/10; B65D 1/22; B65D 31/04; B65D 31/10; B65D 31/16; B65D 75/008; B65D 33/06; B65D 33/065; B65D 33/08; B65D 33/10; B31B 1/84; B31B 1/90; B31B 1/60  
See application file for complete search history.

(56) **References Cited**  
U.S. PATENT DOCUMENTS  
D557,614 S \* 12/2007 Murray ..... D9/708  
D563,242 S \* 3/2008 Murray ..... D9/708  
D580,783 S \* 11/2008 Murray ..... D9/707  
D584,167 S \* 1/2009 Murray ..... D9/610

D686,089 S \* 7/2013 Murray ..... D9/710  
D693,241 S \* 11/2013 Kilber ..... D9/707  
D707,499 S \* 6/2014 Murray ..... D7/624.2  
D721,280 S \* 1/2015 Keukens ..... D9/434  
D721,585 S \* 1/2015 Gonzalez Rodriguez ..... D9/500  
2008/0253696 A1 10/2008 Haas et al.

\* cited by examiner  
*Primary Examiner* — Abraham Bahta  
(74) *Attorney, Agent, or Firm* — Eversheds Sutherland (US) LLP

(57) **CLAIM**

The ornamental design for a gusset grip container, as shown and described.

**DESCRIPTION**

FIG. 1 is a top perspective view of a gusset grip container showing our new design;  
FIG. 2 is a front view thereof;  
FIG. 3 is a rear view thereof;  
FIG. 4 is a first side view thereof;  
FIG. 5 is a second side view thereof;  
FIG. 6 is a top view thereof; and,  
FIG. 7 is a bottom view thereof.  
The broken lines represent portions of the gusset grip container, are for illustrative purposes only, and form no part of the claimed design.

**1 Claim, 2 Drawing Sheets**



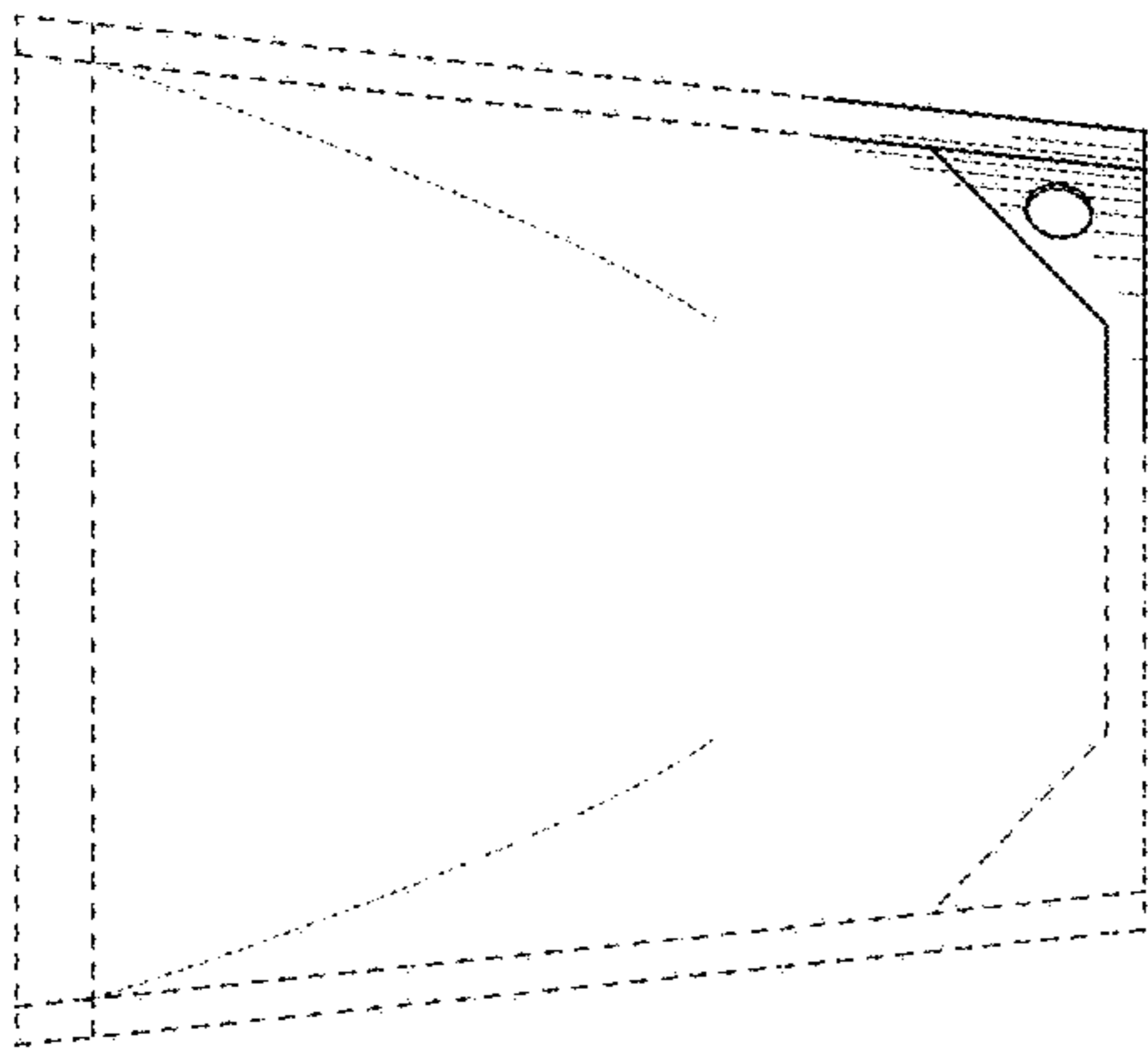


FIG. 2

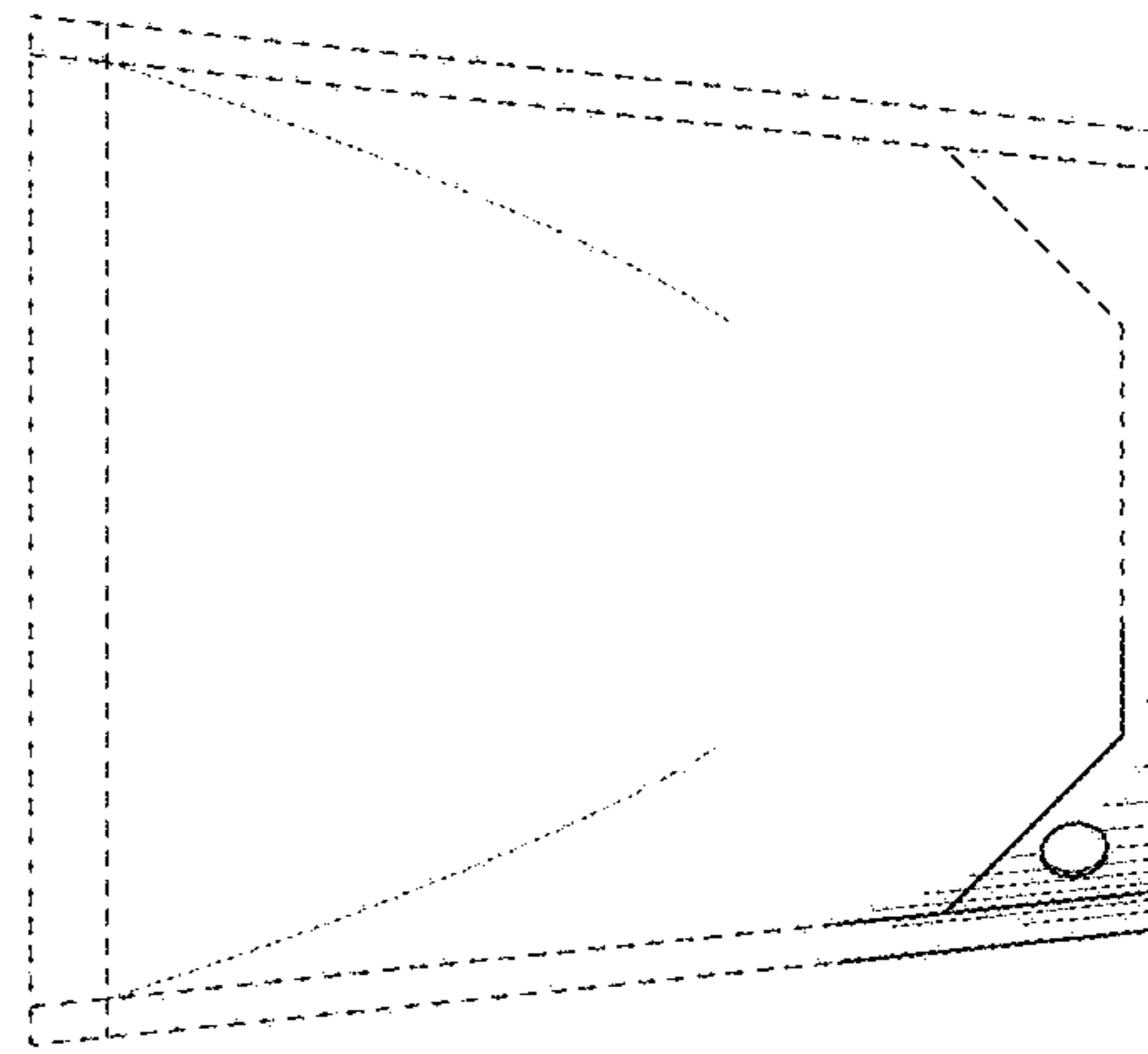


FIG. 3

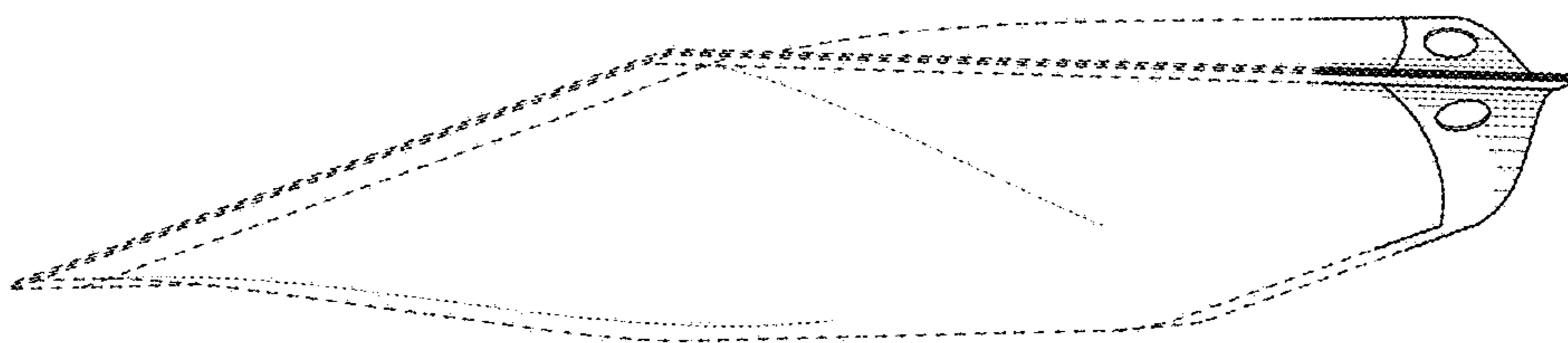


FIG. 1

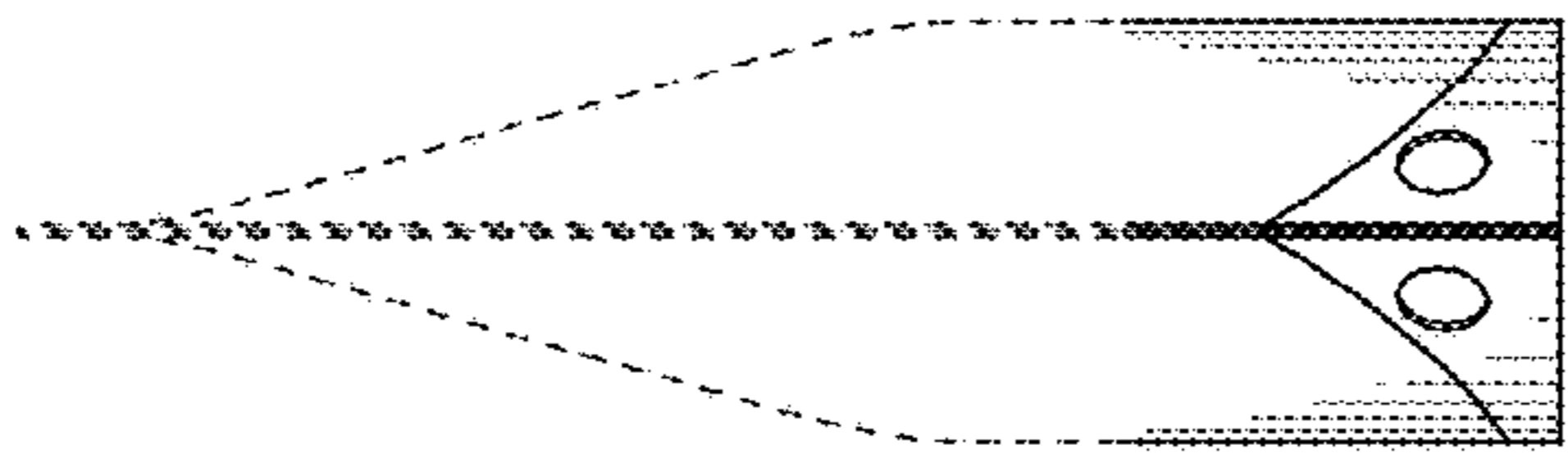


FIG. 5

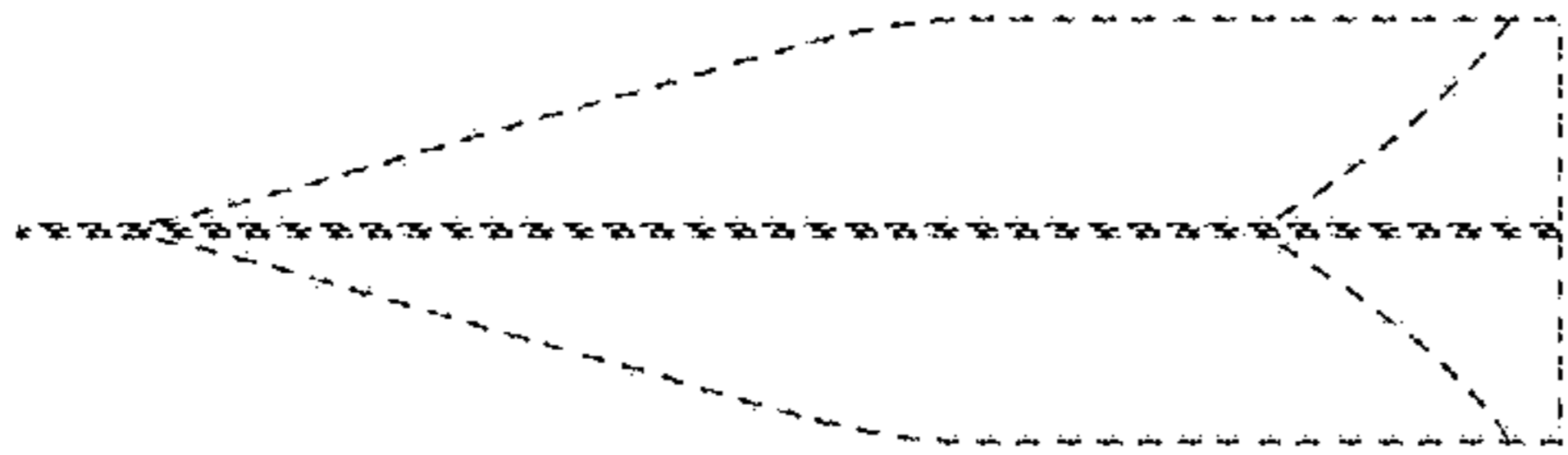


FIG. 4

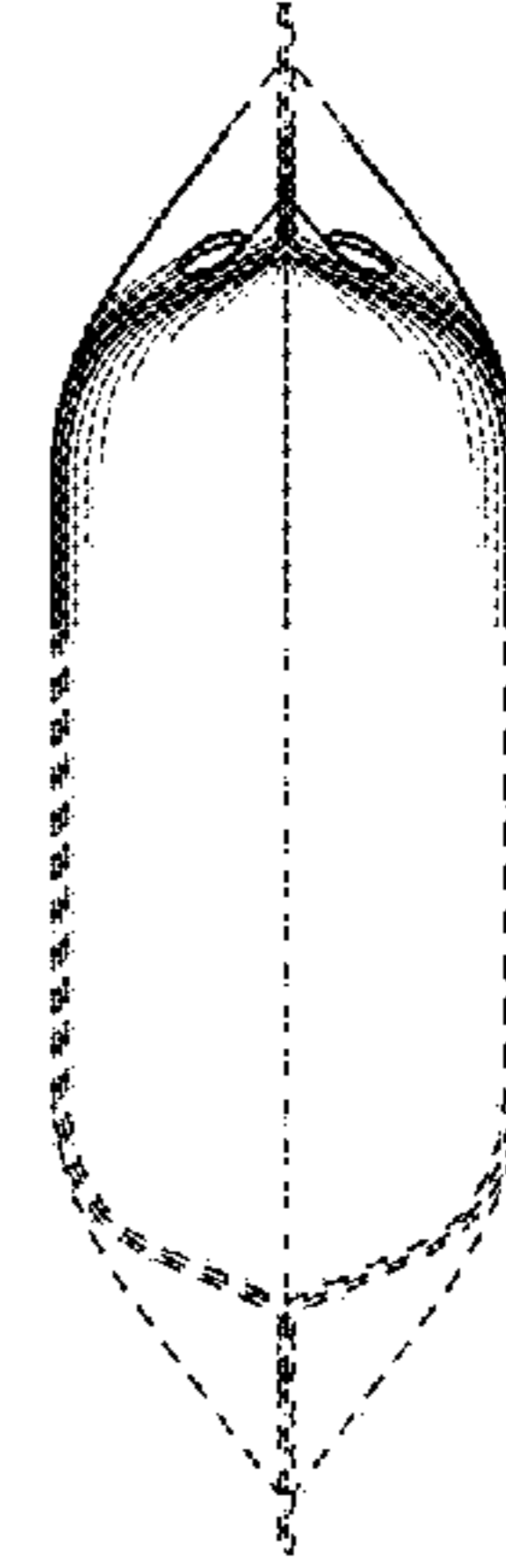


FIG. 7

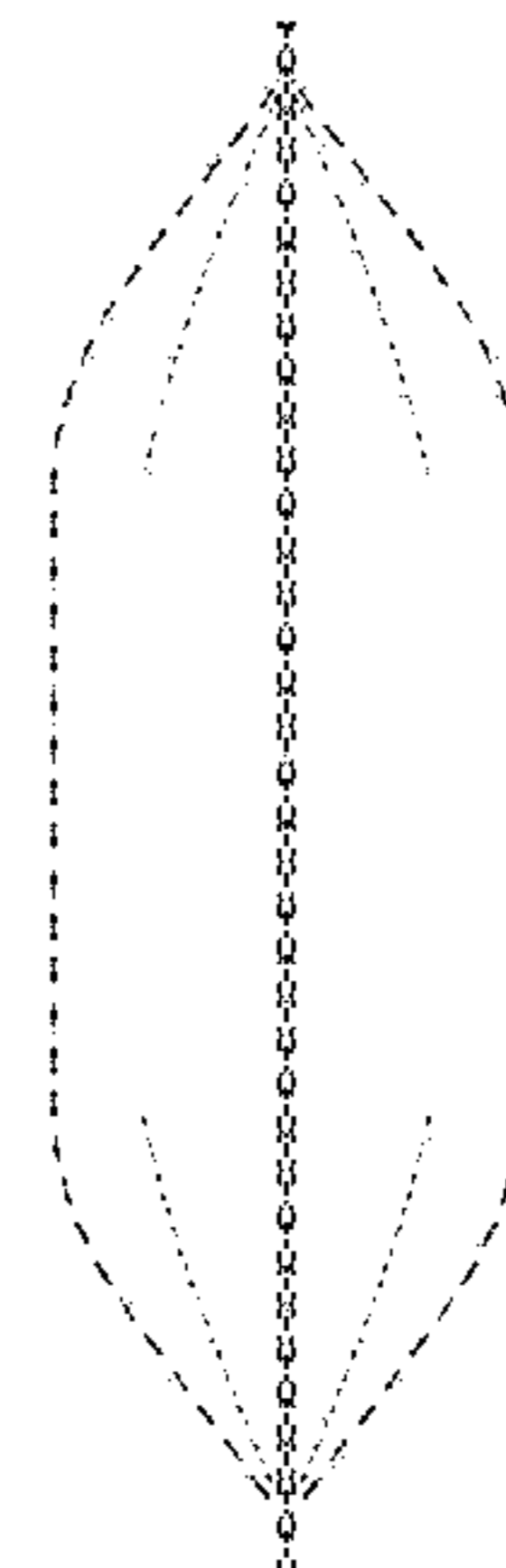


FIG. 6