



US00D785459S

(12) **United States Design Patent** (10) **Patent No.:** **US D785,459 S**  
**Staab et al.** (45) **Date of Patent:** **\*\* May 2, 2017**

(54) **BOTTLE**  
(71) Applicant: **Mary Kay Inc.**, Addison, TX (US)  
(72) Inventors: **Jenny DeMarco Staab**, Frisco, TX (US); **Tammy Schriewer**, Addison, TX (US)  
(73) Assignee: **Mary Kay Inc.**, Addison, TX (US)  
(\*\*) Term: **15 Years**  
(21) Appl. No.: **29/563,576**  
(22) Filed: **May 5, 2016**

**Related U.S. Application Data**

(62) Division of application No. 29/504,940, filed on Oct. 10, 2014, now Pat. No. Des. 759,499.  
(51) **LOC (10) Cl.** ..... **09-01**  
(52) **U.S. Cl.**  
USPC ..... **D9/652**; D9/558  
(58) **Field of Classification Search**  
USPC ..... D3/270, 271.1-271.4; D7/514-520, 599, D7/604, 613, 619.2, 623, 628; D9/600,  
(Continued)

**References Cited**

**U.S. PATENT DOCUMENTS**

D92,911 S 7/1934 Kennedy ..... D9/545  
D197,919 S 4/1964 Runyon ..... D9/500  
(Continued)

*Primary Examiner* — Sandra Morris  
(74) *Attorney, Agent, or Firm* — Norton Rose Fulbright US LLP

**CLAIM**

The ornamental design for a bottle, as shown and described.

**DESCRIPTION**

FIG. 1 is a top perspective view of a first embodiment of a bottle, which includes an opaque base having a transparent embossed portion and an opaque cap;  
FIG. 2 is a front view of the bottle shown in FIG. 1;

FIG. 3 is a back view of the bottle shown in FIG. 1;  
FIG. 4 is a left side view of the bottle shown in FIG. 1;  
FIG. 5 is a right side view of the bottle shown in FIG. 1;  
FIG. 6 is a top view of the bottle shown in FIG. 1;  
FIG. 7 is a top perspective view of a second embodiment of a bottle that differs from the first embodiment of FIGS. 1-6 in that the bottle includes an opaque embossed portion, otherwise the overall design of the second embodiment is the same as the first embodiment;  
FIG. 8 is a front view of the bottle shown in FIG. 7;  
FIG. 9 is a back view of the bottle shown in FIG. 7;  
FIG. 10 is a left side view of the bottle shown in FIG. 7;  
FIG. 11 is a right side view of the bottle shown in FIG. 7;  
FIG. 12 is a top view of the bottle shown in FIG. 7;  
FIG. 13 is a top perspective view of a third embodiment of a bottle that differs from the first embodiment of FIGS. 1-6 in that the cap is shown in dashed lines, otherwise the overall design of the third embodiment is the same as the first embodiment;  
FIG. 14 is a top perspective view of a fourth embodiment of a bottle that differs from the second embodiment of FIGS. 7-12 in that the cap is shown in dashed lines, otherwise the overall design of the fourth embodiment is the same as the second embodiment;  
FIG. 15 is a top perspective view of a fifth embodiment of a bottle, which includes an opaque base having a transparent embossed portion and an opaque cap;  
FIG. 16 is a front view of the bottle shown in FIG. 15;  
FIG. 17 is a back view of the bottle shown in FIG. 15;  
FIG. 18 is a left side view of the bottle shown in FIG. 15;  
FIG. 19 is a right side view of the bottle shown in FIG. 15;  
FIG. 20 is a top view of the bottle shown in FIG. 15;  
FIG. 21 is a top perspective view of a sixth embodiment of a bottle that differs from the fifth embodiment of FIGS. 15-20 in that the bottle includes an opaque embossed portion, otherwise the overall design of the sixth embodiment is the same as the fifth embodiment;  
FIG. 22 is a front view of the bottle shown in FIG. 21;  
FIG. 23 is a back view of the bottle shown in FIG. 21;  
FIG. 24 is a left side view of the bottle shown in FIG. 21;  
FIG. 25 is a right side view of the bottle shown in FIG. 21;  
FIG. 26 is a top view of the bottle shown in FIG. 21;  
FIG. 27 is a top perspective view of a seventh embodiment of a bottle that differs from the fifth embodiment of FIGS.

(Continued)



15-20 in that the cap is shown in dashed lines, otherwise the overall design of the seventh embodiment is the same as the fifth embodiment; and,

FIG. 28 is a top perspective view of an eighth embodiment of a bottle that differs from the sixth embodiment of FIGS. 21-26 in that the cap is shown in dashed lines, otherwise the overall design of the eighth embodiment is the same as the sixth embodiment.

The dashed lines in FIGS. 13-14 and 27-28 form no part of the claimed design. All other surfaces and portions of the bottle in FIGS. 1-28 not shown in the figures or otherwise described in the specification form no part of the claimed design.

**1 Claim, 24 Drawing Sheets**

(58) **Field of Classification Search**

USPC ..... D9/652, 667, 500, 502-505, 516,  
D9/537-546, 549-553, 556-557,  
D9/574-575; 206/457, 459.5, 527;  
215/381-384, 400; 220/288  
CPC .... B65D 5/4258; B65D 81/60; B65D 81/365;  
B65D 81/366; B65D 81/368; B65D  
2203/00; B65D 2203/02

See application file for complete search history.

(56) **References Cited**

U.S. PATENT DOCUMENTS

D213,355 S	2/1969	Kneapler .....	D9/558
D259,397 S	6/1981	Kerns .....	D9/503
D276,889 S	12/1984	Biesecker .....	D9/500
D281,670 S	12/1985	Thieffry .....	D9/503
D315,097 S	3/1991	Sgariboldi .....	D9/567
D315,499 S	3/1991	Burand .....	D9/574
D322,029 S	12/1991	Caputo .....	D9/558
D332,053 S	12/1992	Sabbia .....	D9/549
D336,046 S	6/1993	Donoghue .....	D9/547
D342,453 S	12/1993	Segati .....	D9/574
D347,571 S	6/1994	Wacker .....	D9/688
D348,004 S	6/1994	Grassl .....	D9/500
D349,857 S	8/1994	Lonczak et al. ....	D9/558
D353,771 S	12/1994	Klitsner .....	D9/500
D353,775 S	12/1994	Thompson .....	D5/545
D357,412 S	4/1995	Vasas .....	D9/503
D362,187 S	9/1995	Thompson .....	D9/500
D375,052 S	10/1996	Lathrop et al. ....	D9/558
D375,675 S	11/1996	Luzzi et al. ....	D9/689
D375,895 S	11/1996	Miller .....	D9/691
D378,665 S	4/1997	Fenton et al. ....	D9/558
D380,390 S	7/1997	Varlet .....	D9/558
D381,915 S	8/1997	Dinand .....	D9/545
D386,090 S	11/1997	De Giovellina .....	D9/544
D393,596 S	4/1998	Kotyuk .....	D9/558
D398,242 S	9/1998	Fling et al. ....	D9/545
D404,312 S	1/1999	Granai .....	D9/558
D414,427 S	9/1999	Maddy .....	D9/558
D415,032 S	10/1999	Gaskey .....	D9/522
D419,454 S	1/2000	Kokenge et al. ....	D9/574
D421,572 S	3/2000	Herrmann .....	D9/503
D424,444 S	5/2000	Lefebvre .....	D9/503
D425,432 S	5/2000	Lewin .....	D9/558
D426,768 S	6/2000	Gattineri .....	D9/690
D428,579 S	7/2000	Waitzenegger .....	D9/544
D429,649 S	8/2000	Kotyuk .....	D9/552
6,095,378 A	8/2000	Potts et al. ....	222/402.1
D431,779 S	10/2000	Nosella .....	D5/520

D434,663 S	12/2000	Jones et al. ....	D9/516
D434,670 S	12/2000	Bernard .....	D9/545
D437,559 S	2/2001	Fenton et al. ....	D9/558
D438,120 S	2/2001	Flurer et al. ....	D9/558
D440,499 S	4/2001	Bernard .....	D9/516
D443,821 S	6/2001	Bakic .....	D9/500
D444,389 S	7/2001	Bakic .....	D9/539
D444,392 S	7/2001	Dalmau .....	D9/549
D445,328 S	7/2001	Boussiquet et al. ....	D9/691
D448,300 S	9/2001	Walters et al. ....	D9/520
D449,230 S	10/2001	Harris et al. ....	D9/588
D459,657 S	7/2002	Estep .....	D9/500
D460,348 S	7/2002	Crawford et al. ....	D9/682
D468,214 S	1/2003	Kuzma et al. ....	D9/558
D489,627 S	5/2004	Klitsner et al. ....	D9/502
D490,321 S	5/2004	Durant et al. ....	D9/551
D491,066 S	6/2004	Le Goff .....	D9/500
D497,809 S	11/2004	Fenton et al. ....	D9/500
D498,422 S	11/2004	Theunynck .....	D9/550
D499,338 S	12/2004	Mulder et al. ....	D9/550
D502,110 S	2/2005	Theunynck .....	D9/550
D504,070 S	4/2005	Mohary et al. ....	D9/571
D507,182 S	7/2005	Maddy .....	D9/504
D508,208 S	8/2005	Ozaki et al. ....	D9/688
D509,433 S	9/2005	Trayser et al. ....	D9/501
D530,622 S	10/2006	Geiberger .....	D9/688
D536,976 S	2/2007	Ciulla et al. ....	D9/500
D553,499 S	10/2007	Lavelli .....	D9/500
D554,519 S	11/2007	Varlet .....	D9/558
D556,038 S	11/2007	Chupak .....	D9/500
D564,882 S	3/2008	Crawford et al. ....	D9/516
D568,745 S	5/2008	Bradley et al. ....	D9/500
D573,470 S	7/2008	Bradley et al. ....	D9/516
D575,154 S	8/2008	Andrews et al. ....	D9/500
D576,495 S	9/2008	Slubski .....	D9/537
D577,599 S	9/2008	Moretti .....	D9/560
D585,745 S	2/2009	Hondawa .....	D9/500
D587,591 S	3/2009	Crawford .....	D9/563
D589,358 S	3/2009	Crawford .....	D9/563
D589,799 S	4/2009	McEwan .....	D9/503
D591,596 S	5/2009	Rica .....	D9/500
D593,860 S	6/2009	Bradley et al. ....	
D594,335 S	6/2009	Voss et al. ....	D9/519
D596,950 S	7/2009	Nevins et al. ....	D9/690
D601,424 S	10/2009	Rica .....	D9/500
D603,706 S	11/2009	Wolff et al. ....	D9/500
D604,633 S	11/2009	Stearns .....	D9/674
D607,742 S	1/2010	Kuzma et al. ....	D9/558
D610,021 S	2/2010	Kinoshita et al. ....	D9/686
D613,174 S	4/2010	Pecora .....	D9/529
D624,417 S	9/2010	Bentley et al. ....	D9/500
D629,692 S	12/2010	Lauret .....	D9/500
D633,798 S	3/2011	Cresswell et al. ....	D9/500
D633,799 S	3/2011	Cresswell et al. ....	D9/500
D635,856 S	4/2011	Lauret .....	D9/500
D635,857 S	4/2011	Lauret .....	D9/500
D640,559 S	6/2011	Llerena .....	D9/500
D642,058 S	7/2011	Runningen .....	D9/500
D643,743 S	8/2011	Yu .....	D9/689
D646,572 S	10/2011	Koeleman .....	D9/500
D646,583 S	10/2011	Mongeon et al. ....	D9/689
D651,086 S	12/2011	Gullickson et al. ....	D9/504
D653,958 S	2/2012	Lauret .....	D9/558
D655,172 S	3/2012	Brooks et al. ....	D9/522
D658,993 S	5/2012	Gill et al. ....	D9/500
D659,010 S	5/2012	Oommen et al. ....	D9/600
D670,177 S	11/2012	Lario Rivas .....	D9/632
D671,004 S	11/2012	Kelly et al. ....	D9/500
D671,838 S	12/2012	Potts .....	D9/545
D673,058 S	12/2012	Park .....	D9/724
D673,059 S	12/2012	Park .....	D9/724
D675,533 S	2/2013	Oommen et al. ....	D9/539
D675,923 S	2/2013	Bru .....	D9/521
D682,697 S	5/2013	Gonzalez Rodriguez ....	D9/500
D684,065 S	6/2013	Wiseman .....	D9/652
D696,955 S	1/2014	Kelly .....	D9/522

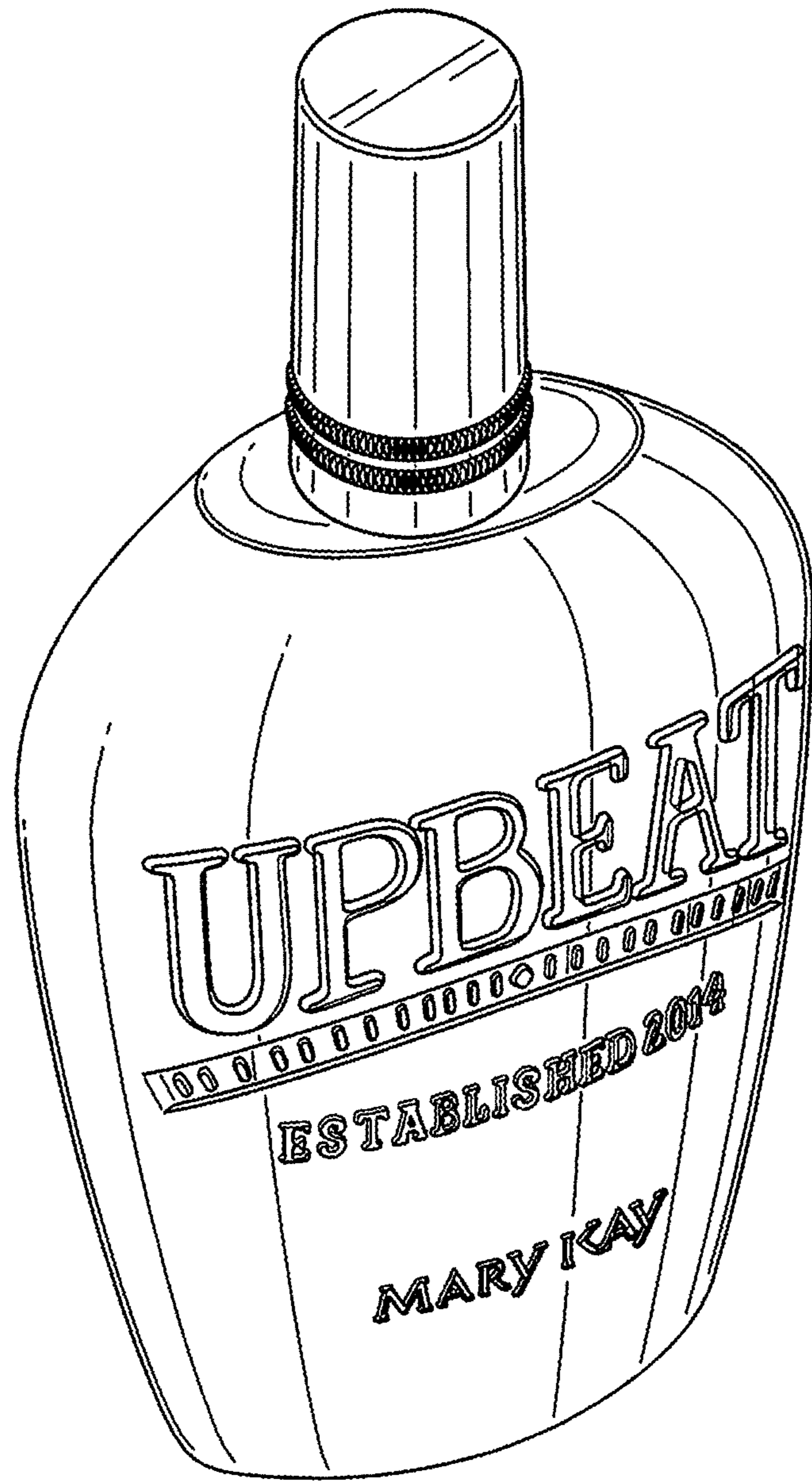


FIG. 1

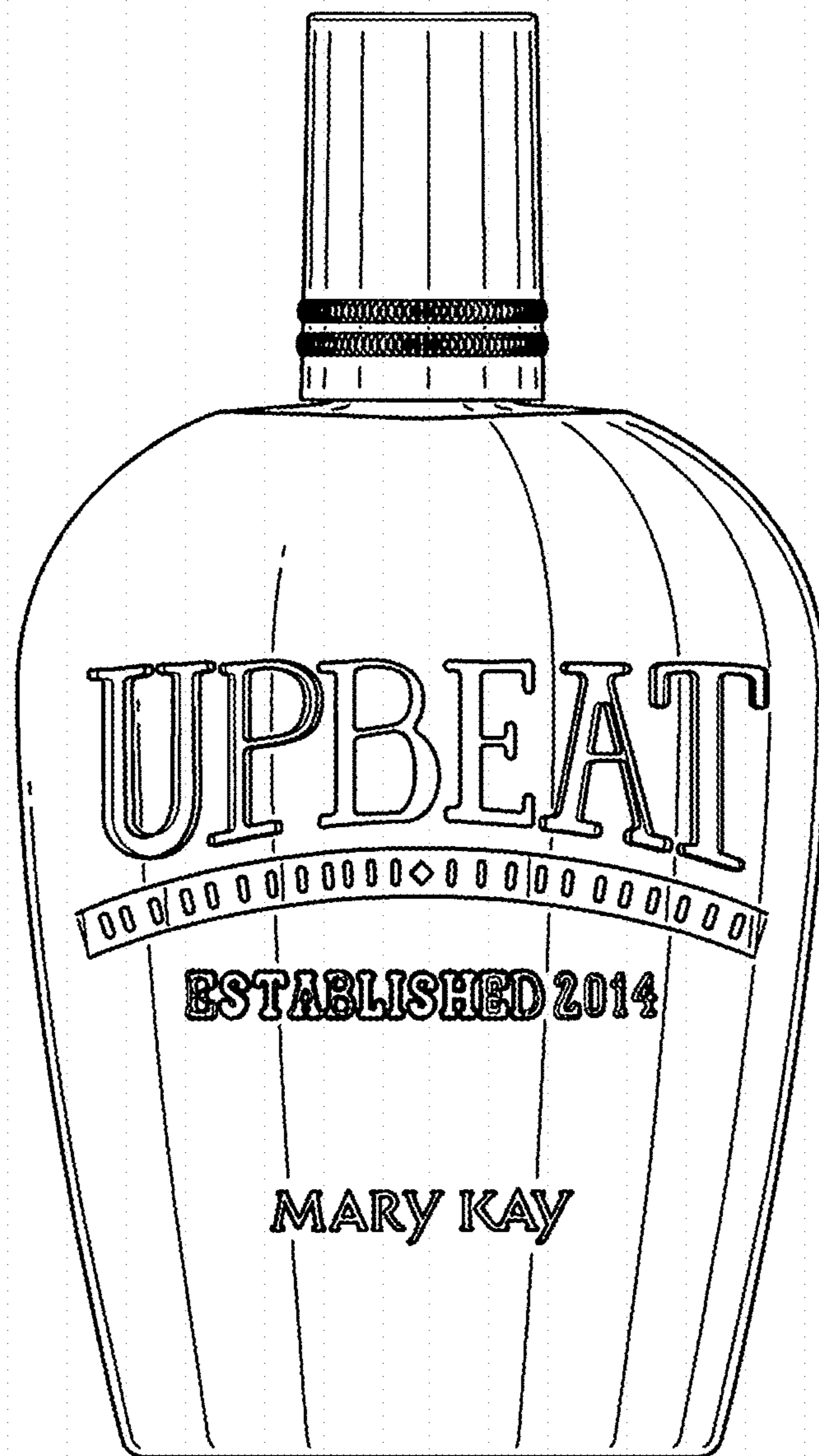


FIG. 2

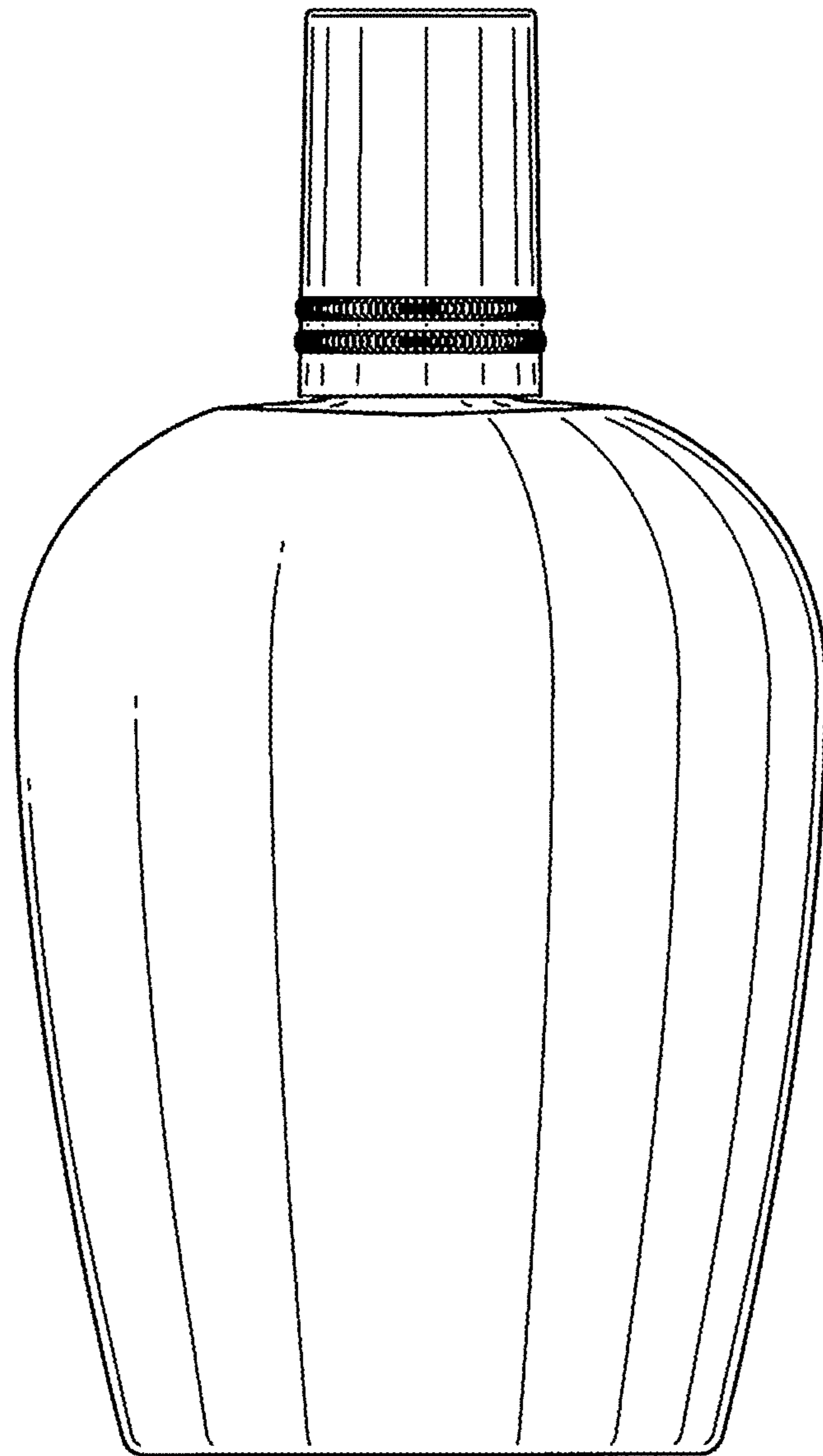


FIG. 3

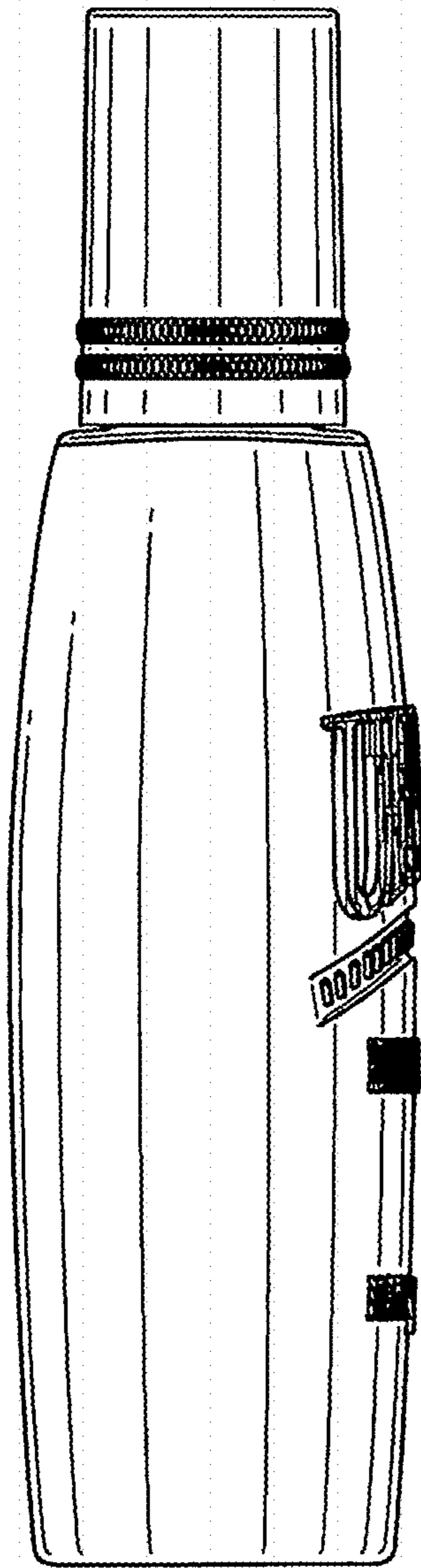


FIG. 4

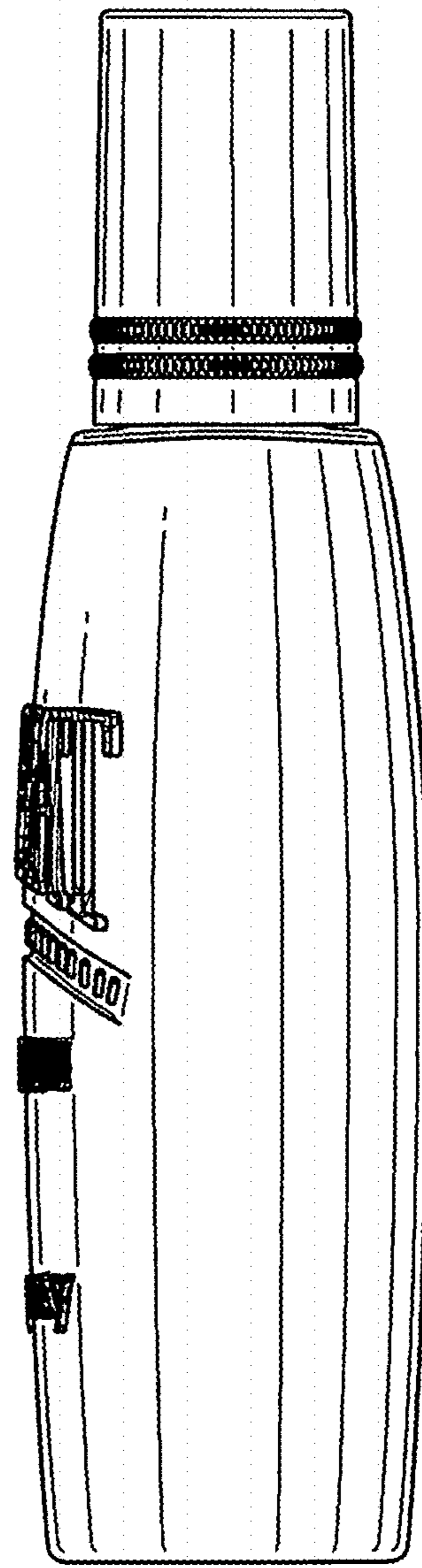


FIG. 5

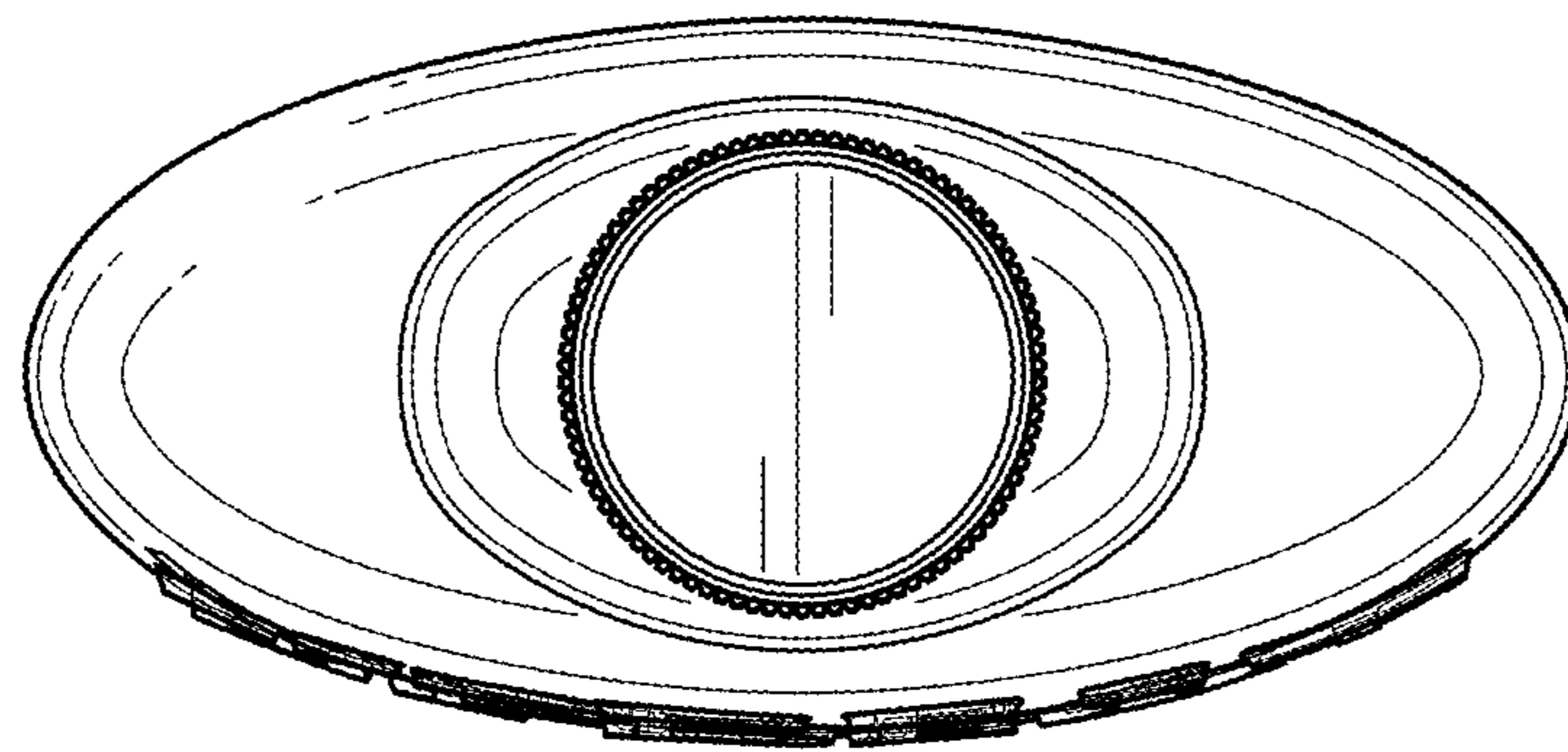


FIG. 6



FIG. 7





FIG. 8

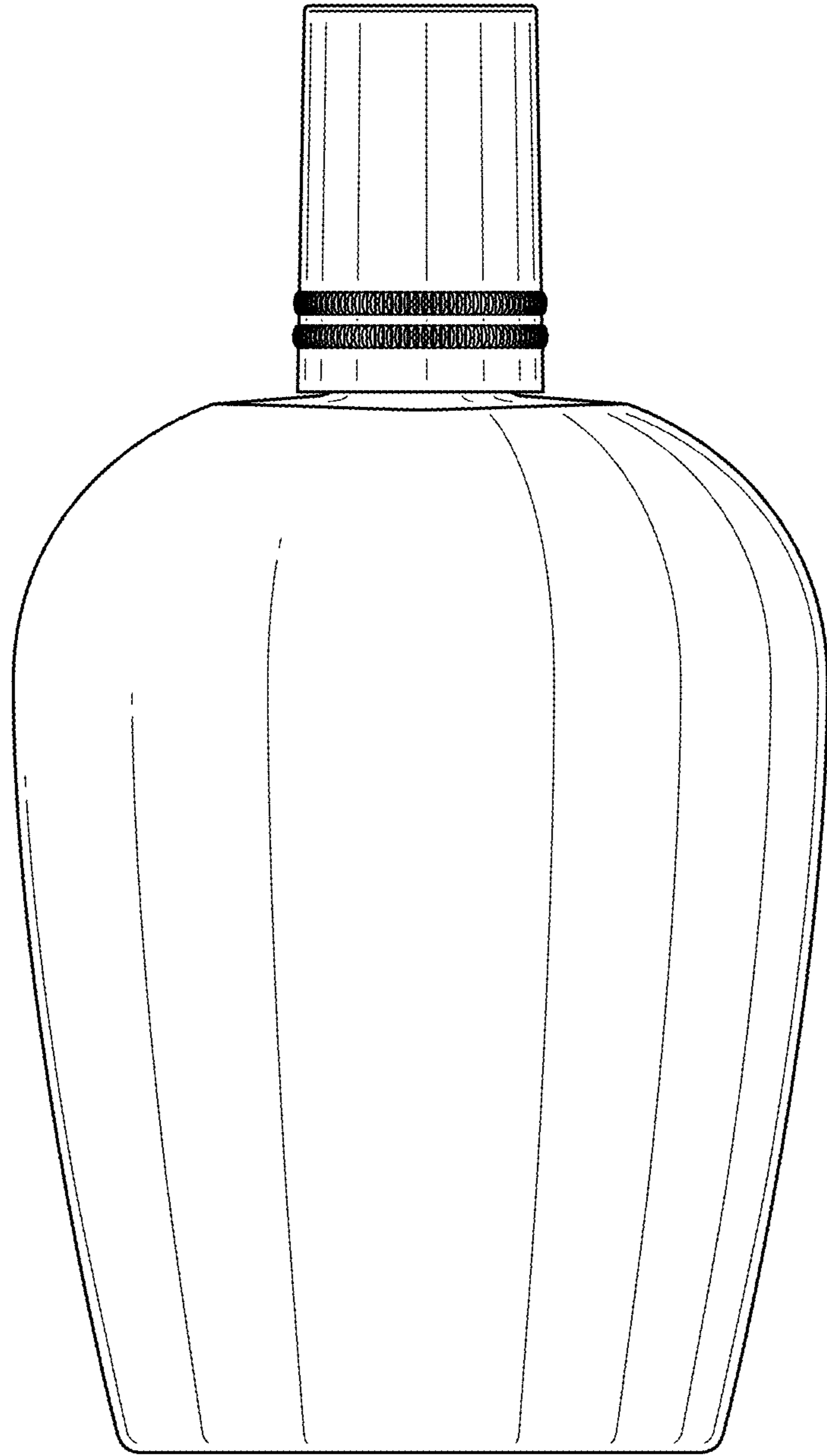


FIG. 9

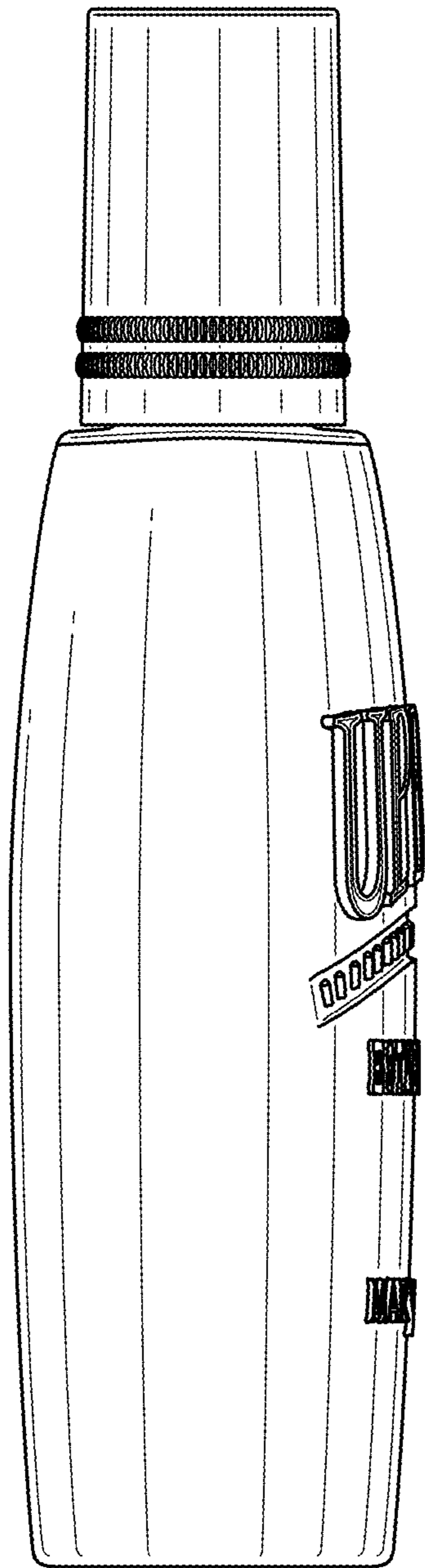


FIG. 10

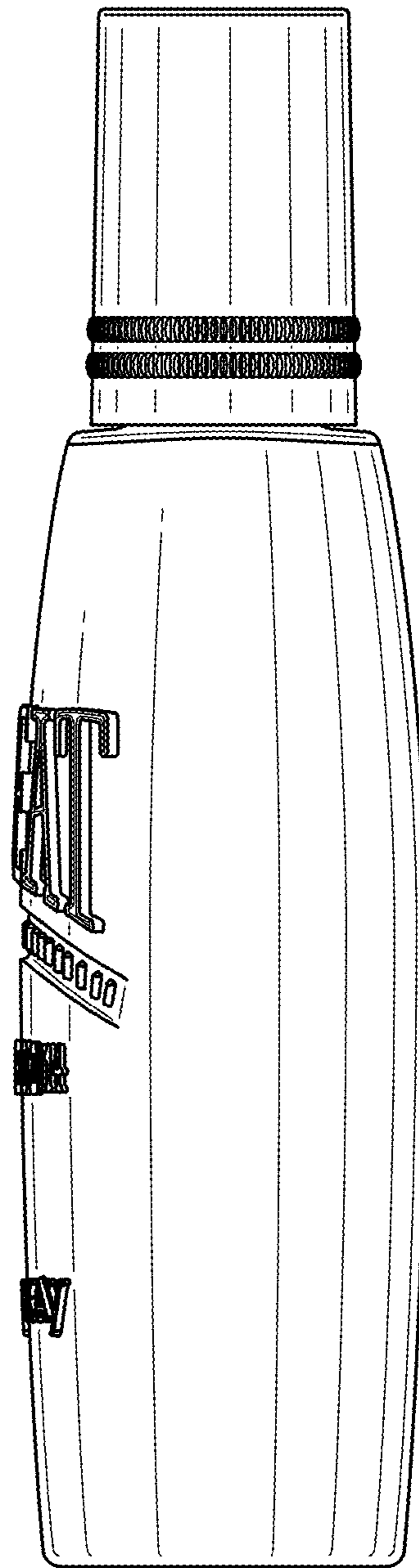


FIG. 11

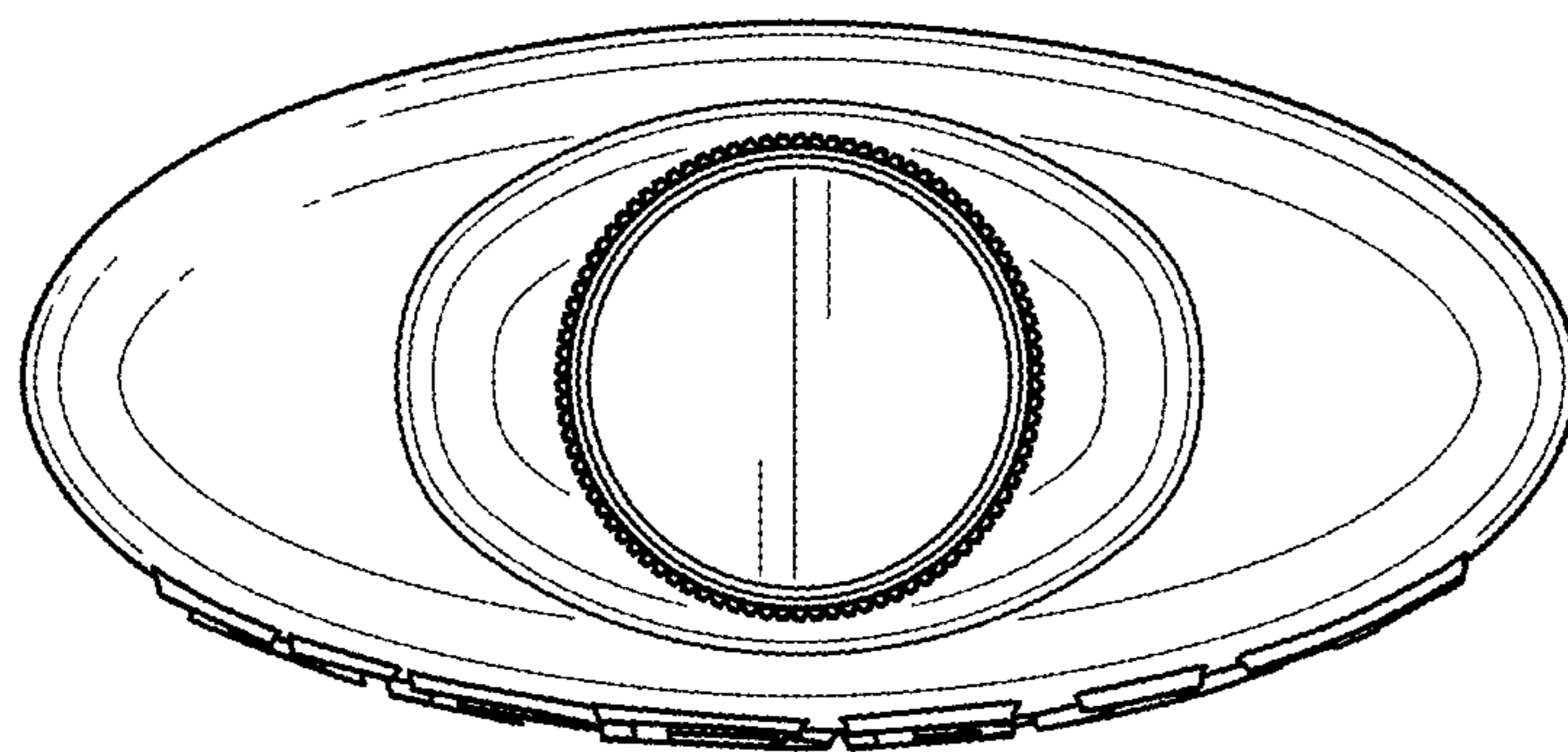


FIG. 12



FIG. 13



FIG. 14



FIG. 15



FIG. 16



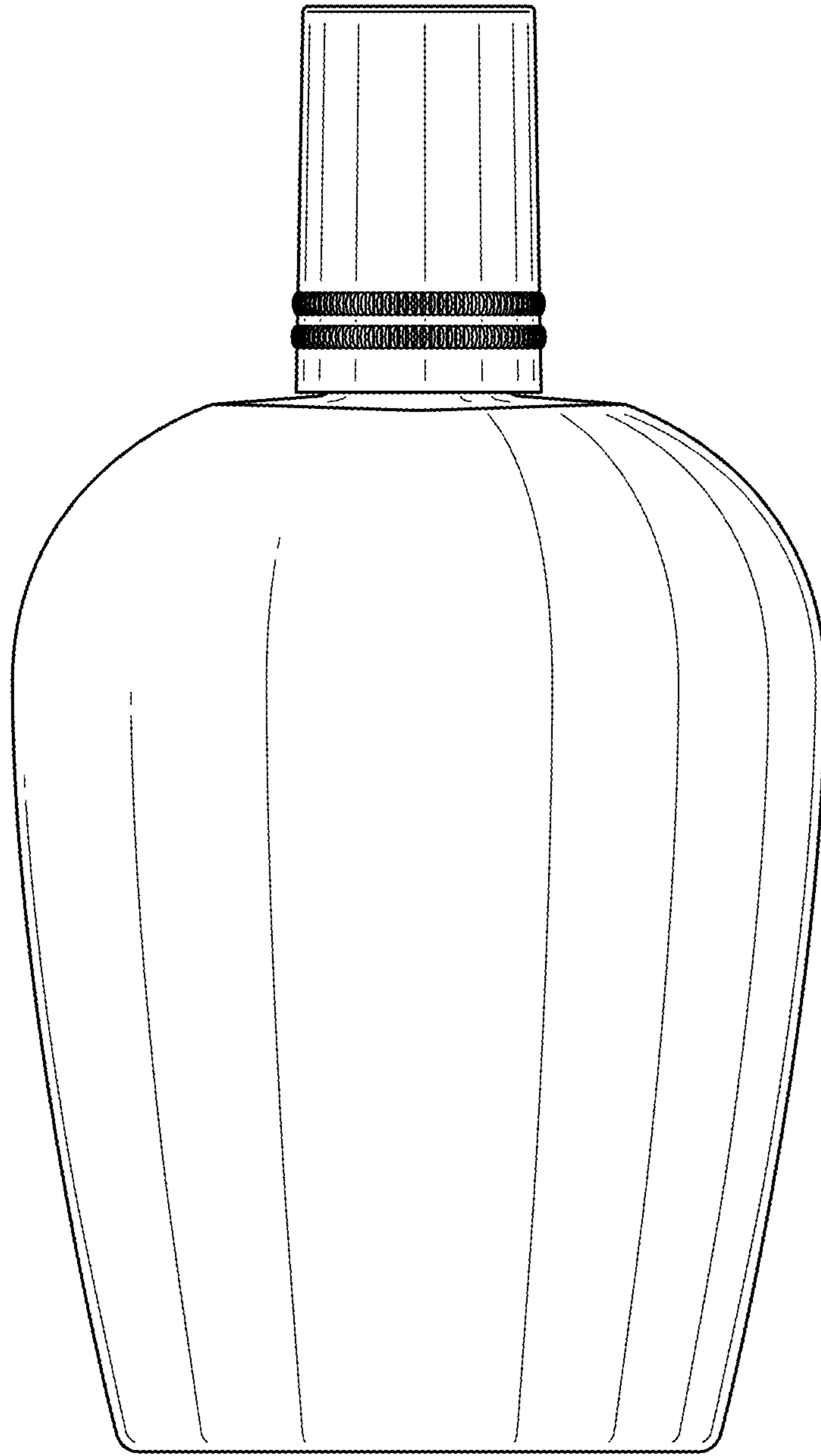


FIG. 17

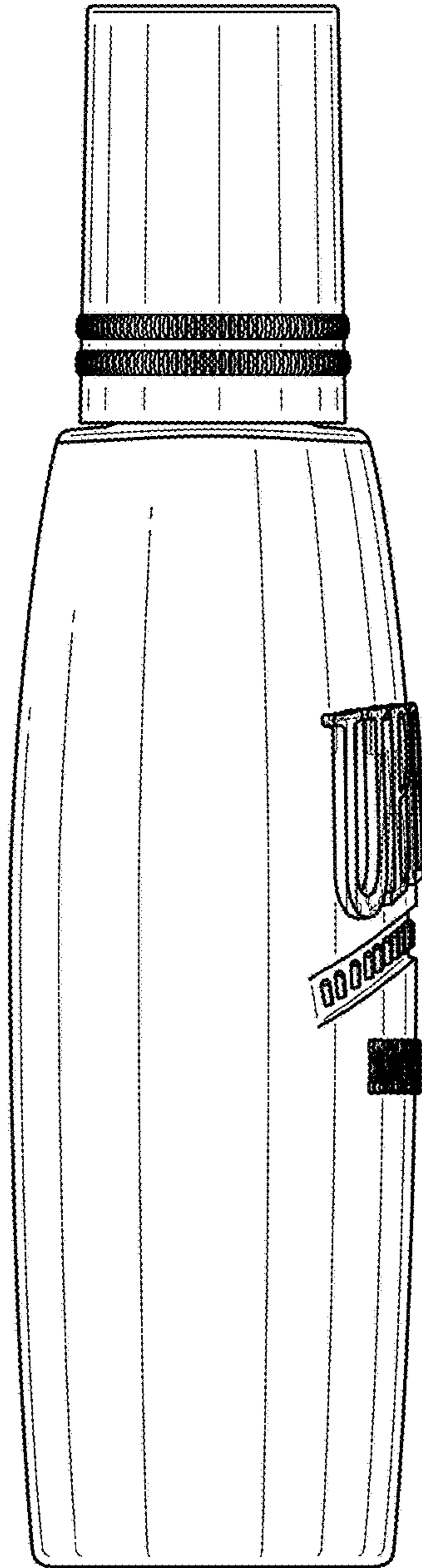


FIG. 18

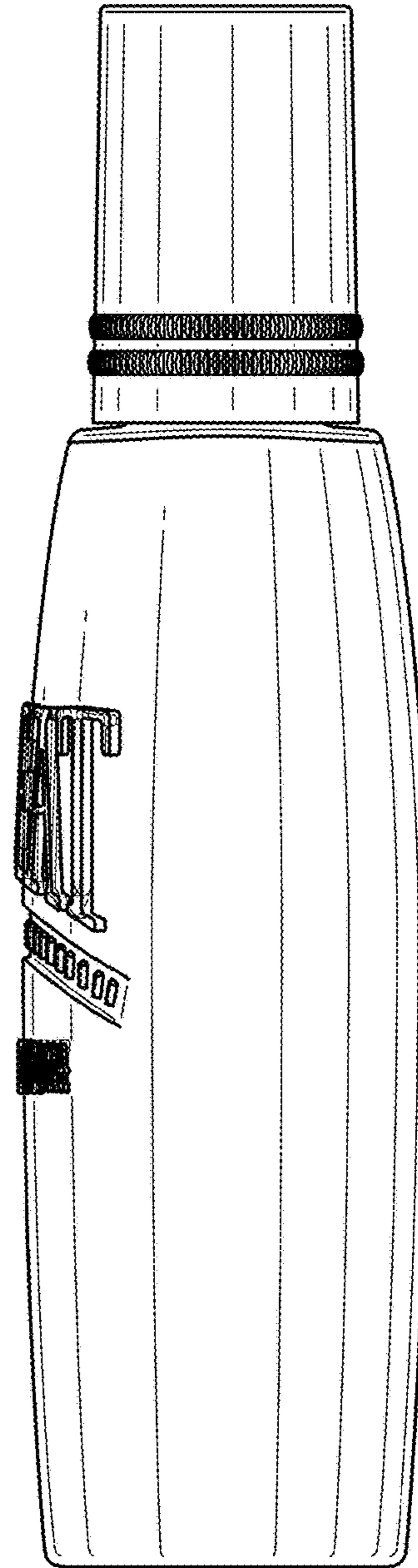


FIG. 19

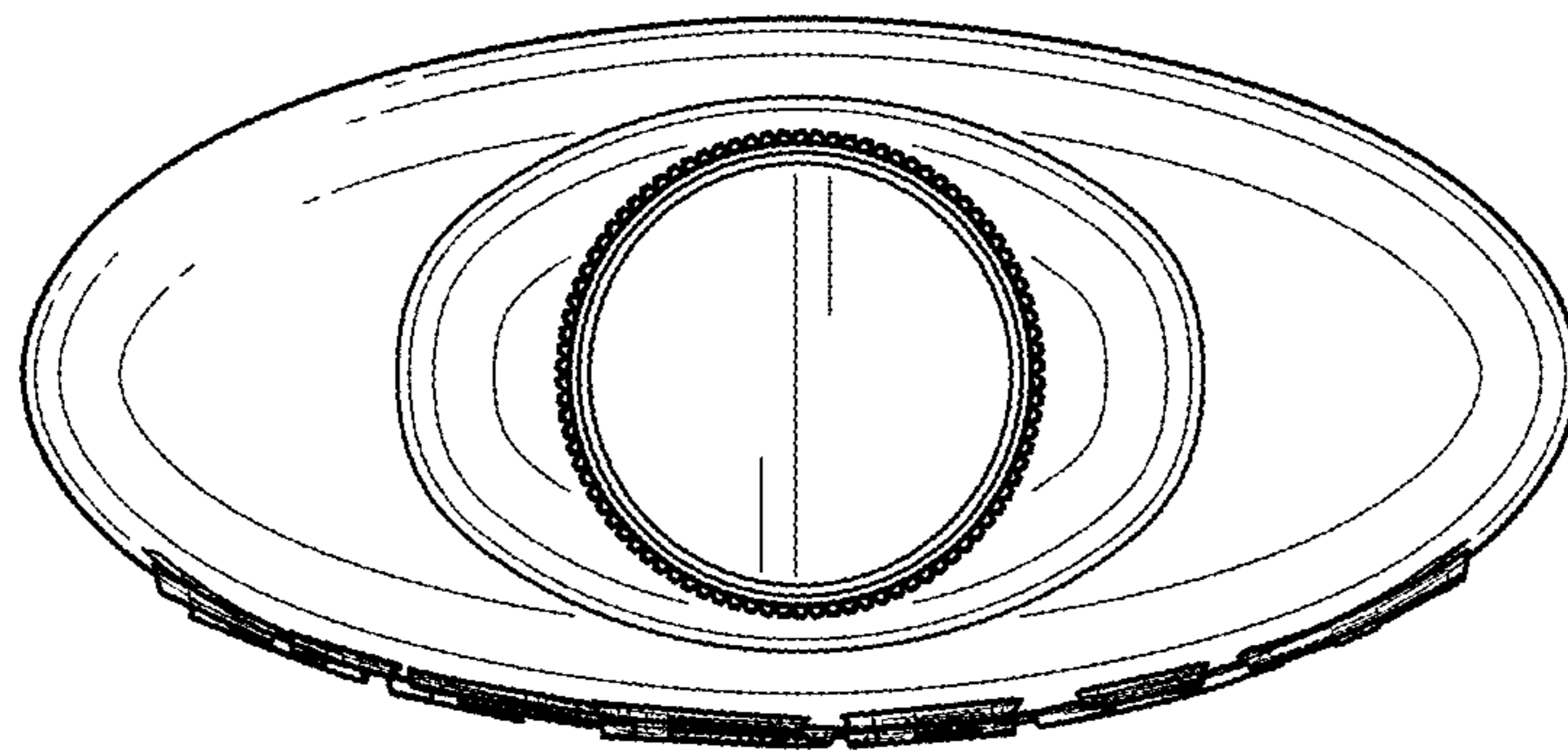


FIG. 20



FIG. 21



FIG. 22

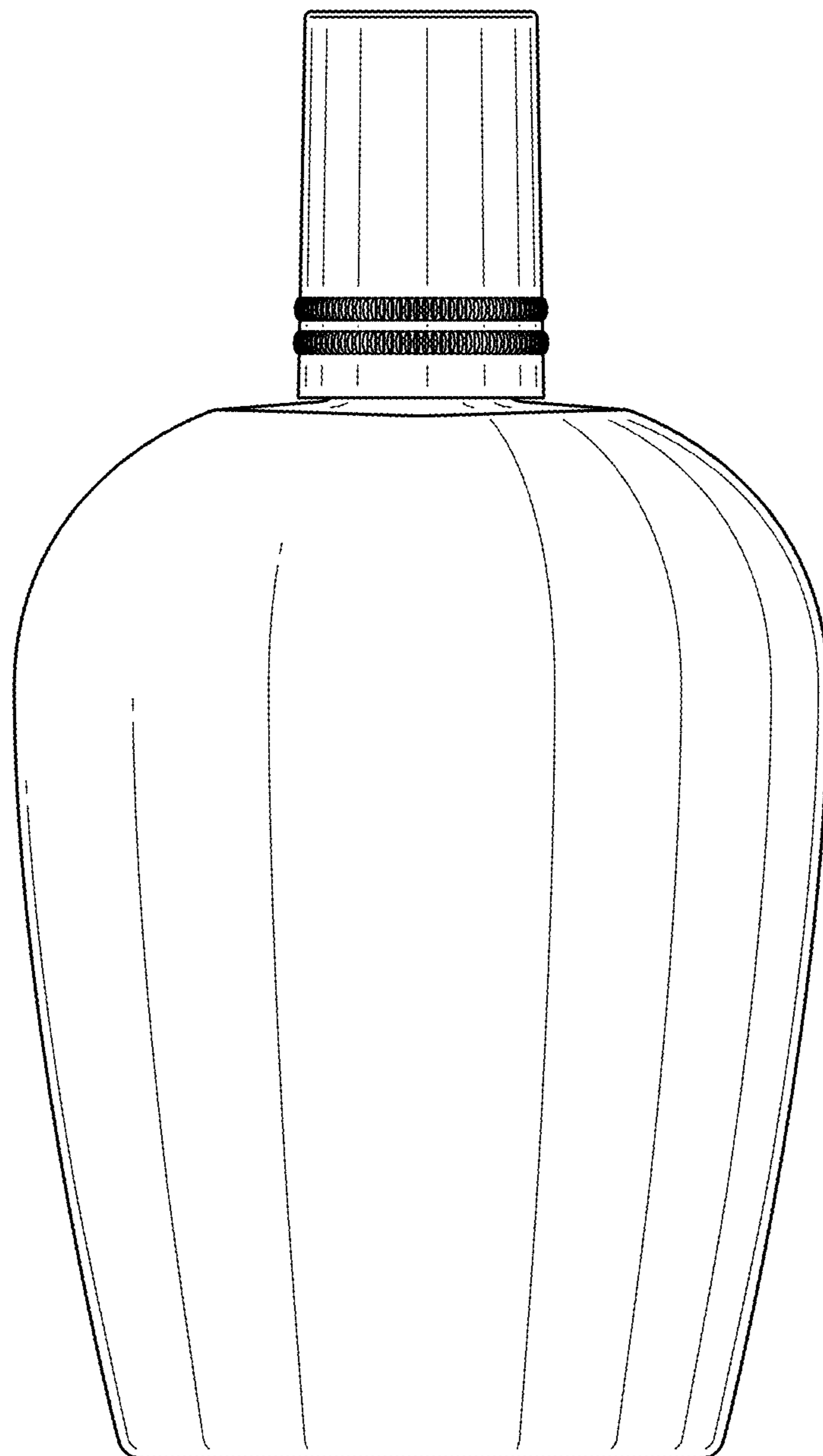


FIG. 23

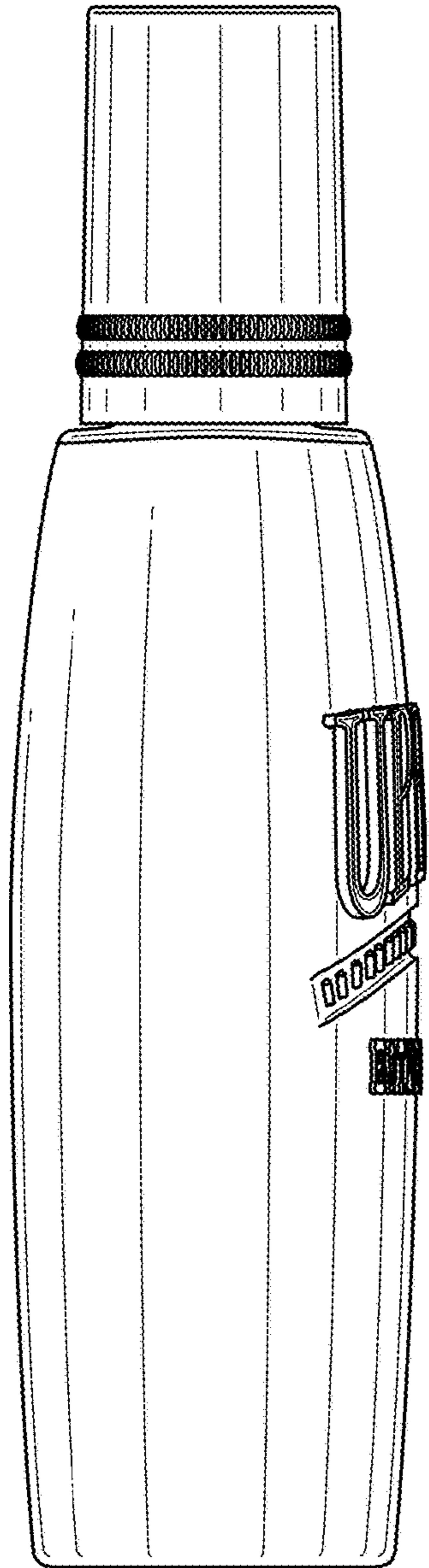


FIG. 24

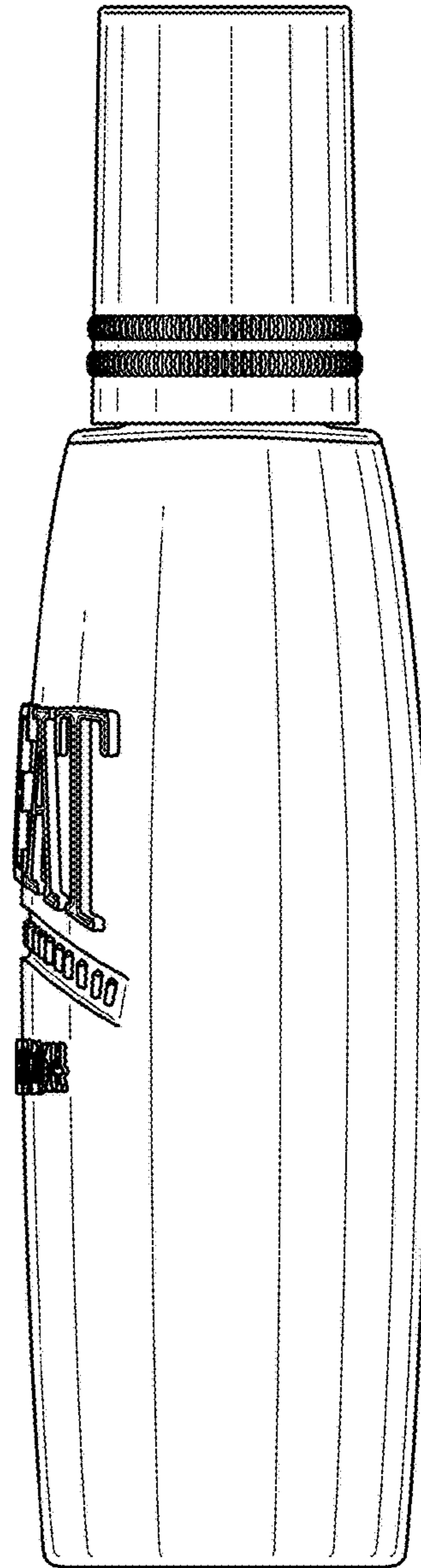


FIG. 25

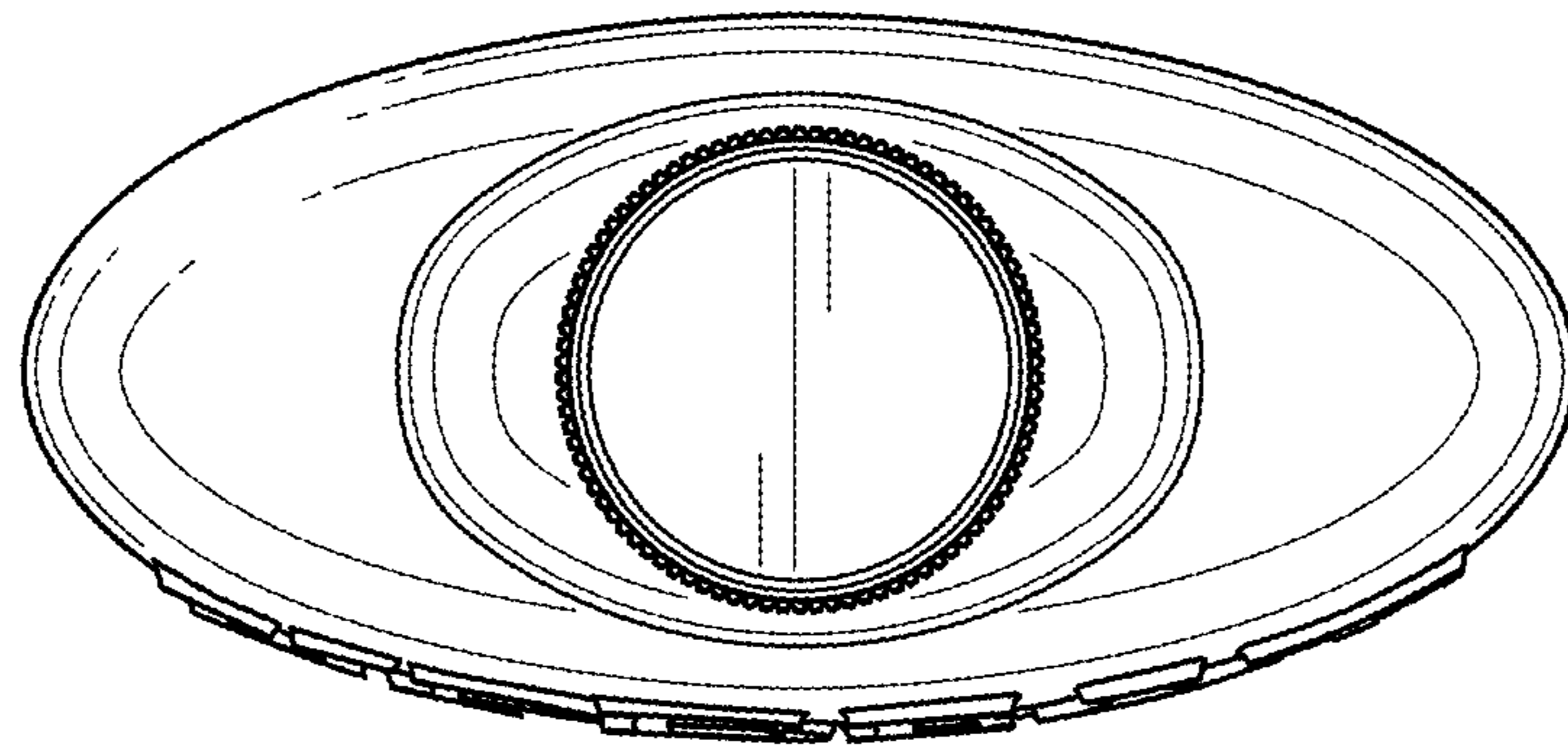


FIG. 26





FIG. 27



FIG. 28