



US00D785458S

(12) **United States Design Patent**
Futagami et al.

(10) **Patent No.:** **US D785,458 S**

(45) **Date of Patent:** **** May 2, 2017**

(54) **CONTAINER**

(71) Applicant: **KOSE Corporation**, Tokyo (JP)

(72) Inventors: **Mami Futagami**, Tokyo (JP); **Naoko Akai**, Tokyo (JP); **Kazuhiro Niikura**, Tokyo (JP)

(73) Assignee: **KOSE CORPORATION**, Tokyo (JP)

(**) Term: **15 Years**

(21) Appl. No.: **29/528,327**

(22) Filed: **May 28, 2015**

(30) **Foreign Application Priority Data**

Dec. 2, 2014 (JP) 2014-026935

(51) **LOC (10) Cl.** **09-01**

(52) **U.S. Cl.**
USPC **D9/529**; D9/560; D9/574

(58) **Field of Classification Search**
USPC D9/434, 435, 436, 449, 454, 500-505,
D9/516, 529, 549, 558, 682, 686, 688,
D9/690, 715; D28/4, 73, 76, 82, 85, 91.1
CPC B65D 83/205; B65D 83/384; B65D 83/75;
B65D 2543/00092
See application file for complete search history.

(56) **References Cited**

U.S. PATENT DOCUMENTS

D225,327 S *	12/1972	marsh	D23/207
D264,311 S *	5/1982	Thompson	D9/529
D293,833 S *	1/1988	White	D28/76
D391,857 S *	3/1998	Fiore	D9/529
5,937,866 A *	8/1999	Magharehi	A45D 19/02
				132/114
D419,075 S *	1/2000	Gavin	D9/529
D459,553 S *	6/2002	Bak	D28/85

D462,144 S *	8/2002	Gaydon	D28/76
D478,690 S *	8/2003	Sgariboldi	D28/85
D498,421 S *	11/2004	Kostow	D9/529
D501,279 S *	1/2005	Dittmer	D28/85
D510,863 S *	10/2005	Juhng	D9/436
D535,104 S *	1/2007	Chen	D4/116
D545,208 S *	6/2007	Modjeski	D9/452
D571,219 S *	6/2008	McCoy	D9/544
D579,336 S *	10/2008	Gurciniene	D9/529
D601,027 S *	9/2009	Courtaigne Delalande	...	D9/529
D610,459 S *	2/2010	Nagata	D9/504
D611,823 S *	3/2010	Sindler	D9/520
D644,108 S *	8/2011	Vila Calvo	D9/529
D679,428 S *	4/2013	Bonang	D26/27
D680,878 S *	4/2013	Ford	D9/529
D703,061 S *	4/2014	de Lima Paschoal	D28/76
D704,065 S *	5/2014	de Lima Paschoal	D28/76

(Continued)

Primary Examiner — Ian Simmons

Assistant Examiner — Keith Frank

(74) *Attorney, Agent, or Firm* — Bacon & Thomas, PLLC

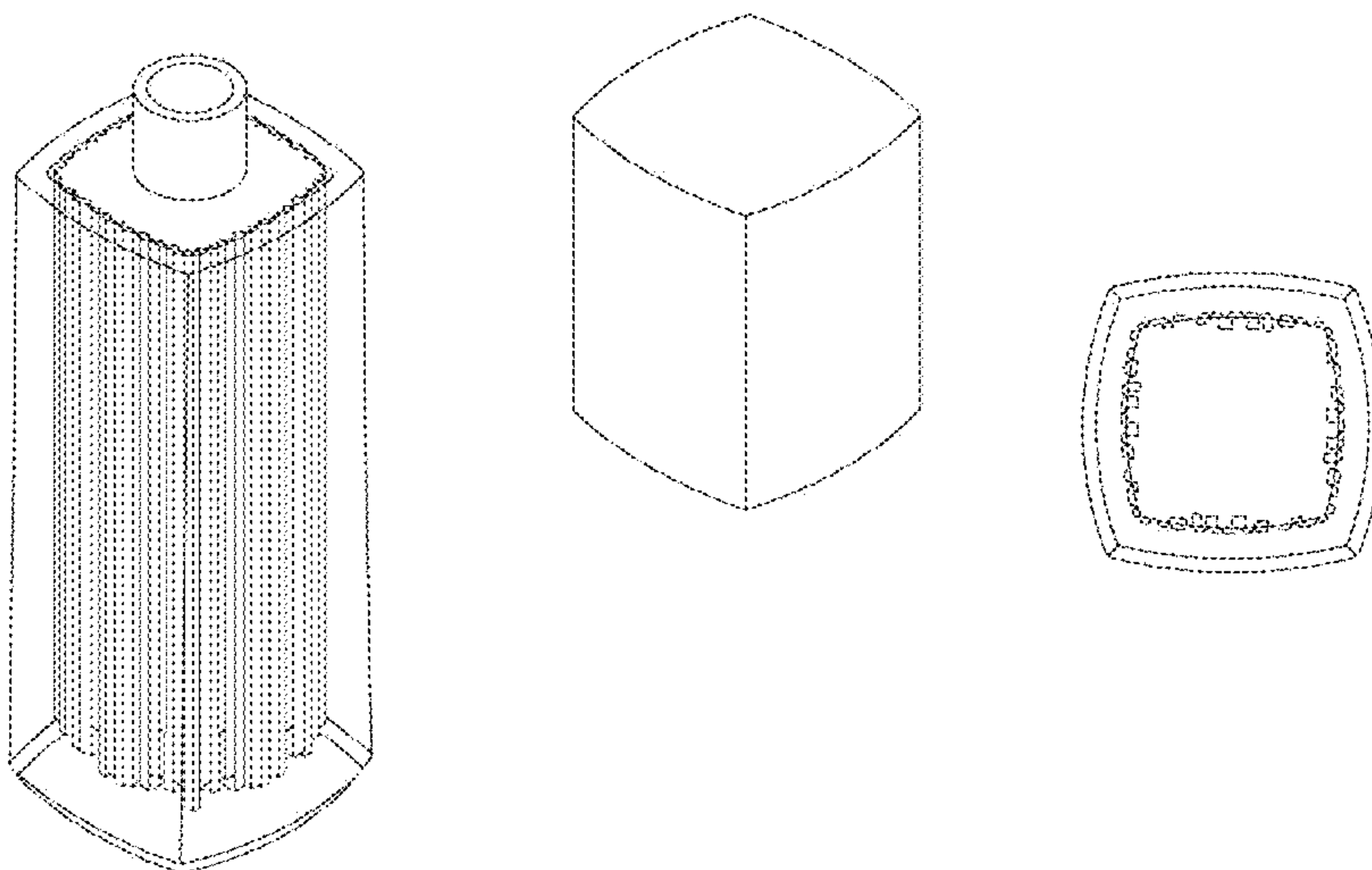
(57) **CLAIM**

The ornamental design for a container, as shown and described.

DESCRIPTION

FIG. 1 is a perspective view of the Invention.
FIG. 2 is an exploded perspective view of the Invention.
FIG. 3 is a front view of the Invention, the rear view of the Invention appears identical with the front view.
FIG. 4 is a top plan view of the Invention.
FIG. 5 is a bottom plan view of the Invention.
FIG. 6 is a right side view of the Invention, the left side view of the Invention appears identical with the right side view.
FIG. 7 is a sectional view taken in the direction of line 7-7 of FIG. 3; and,
FIG. 8 is a sectional view taken in the direction of line 8-8 of FIG. 3.

1 Claim, 8 Drawing Sheets



(56)

References Cited

U.S. PATENT DOCUMENTS

D712,596 S * 9/2014 Lee D28/77
2002/0181248 A1 * 12/2002 Chen A63H 33/22
362/567

* cited by examiner

FIG. 1

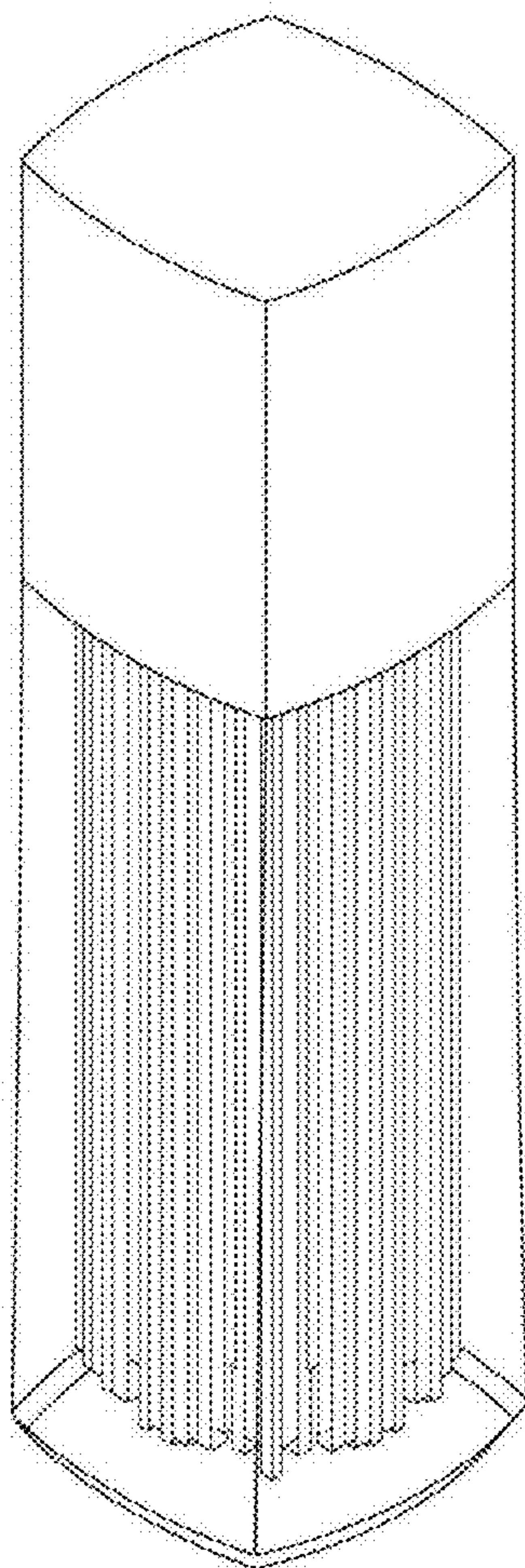


FIG. 2

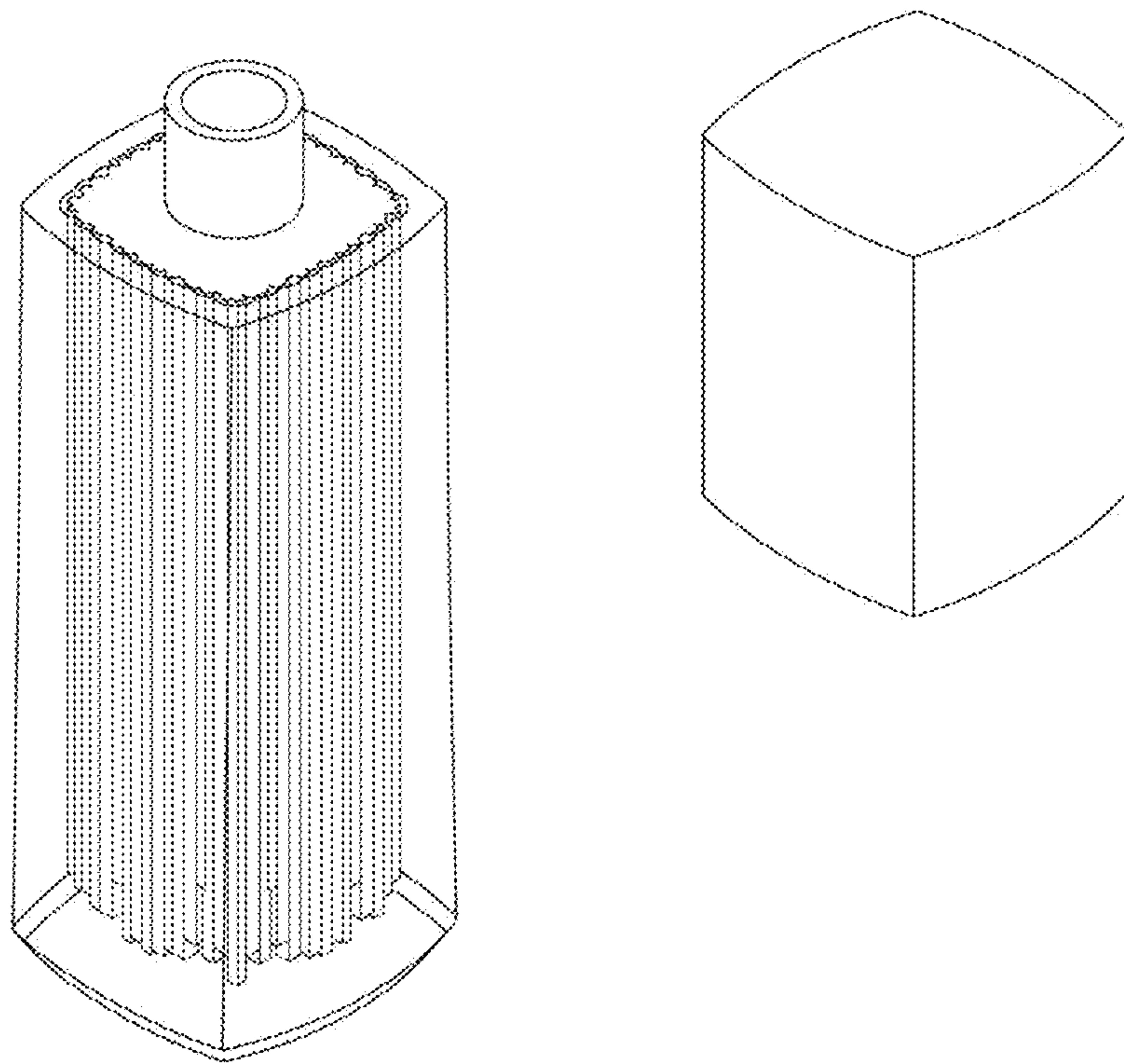


FIG. 3

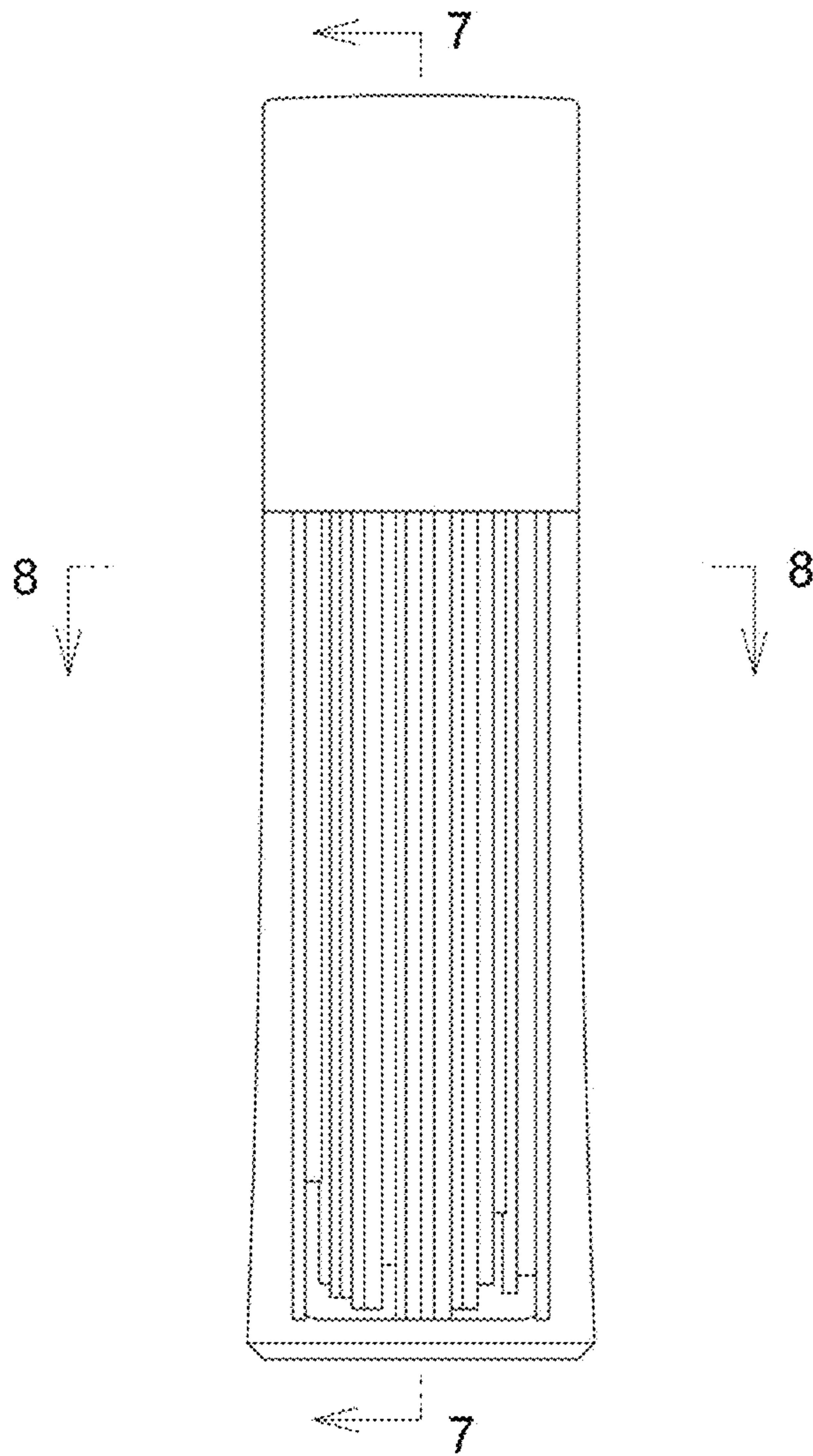


FIG. 4

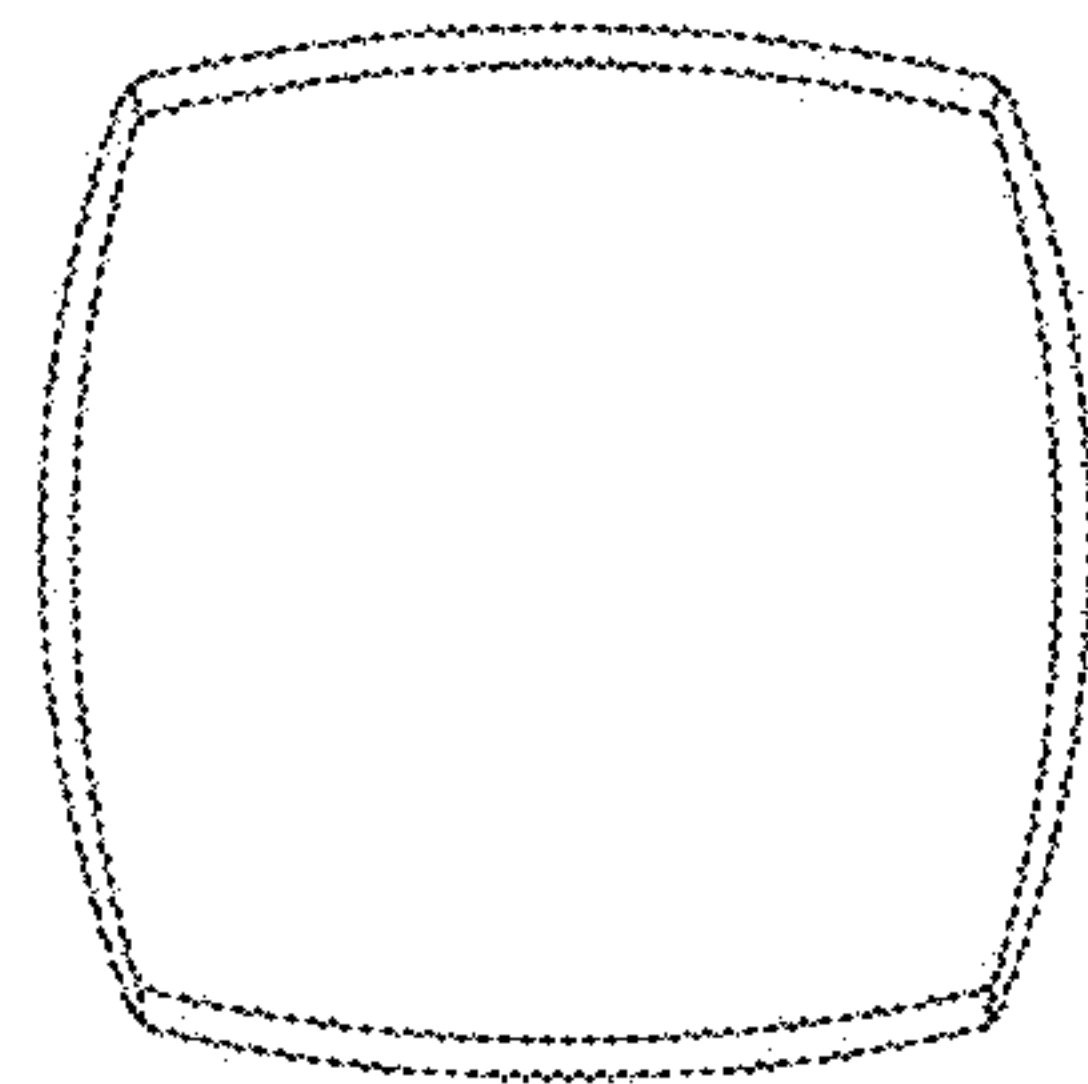


FIG. 5

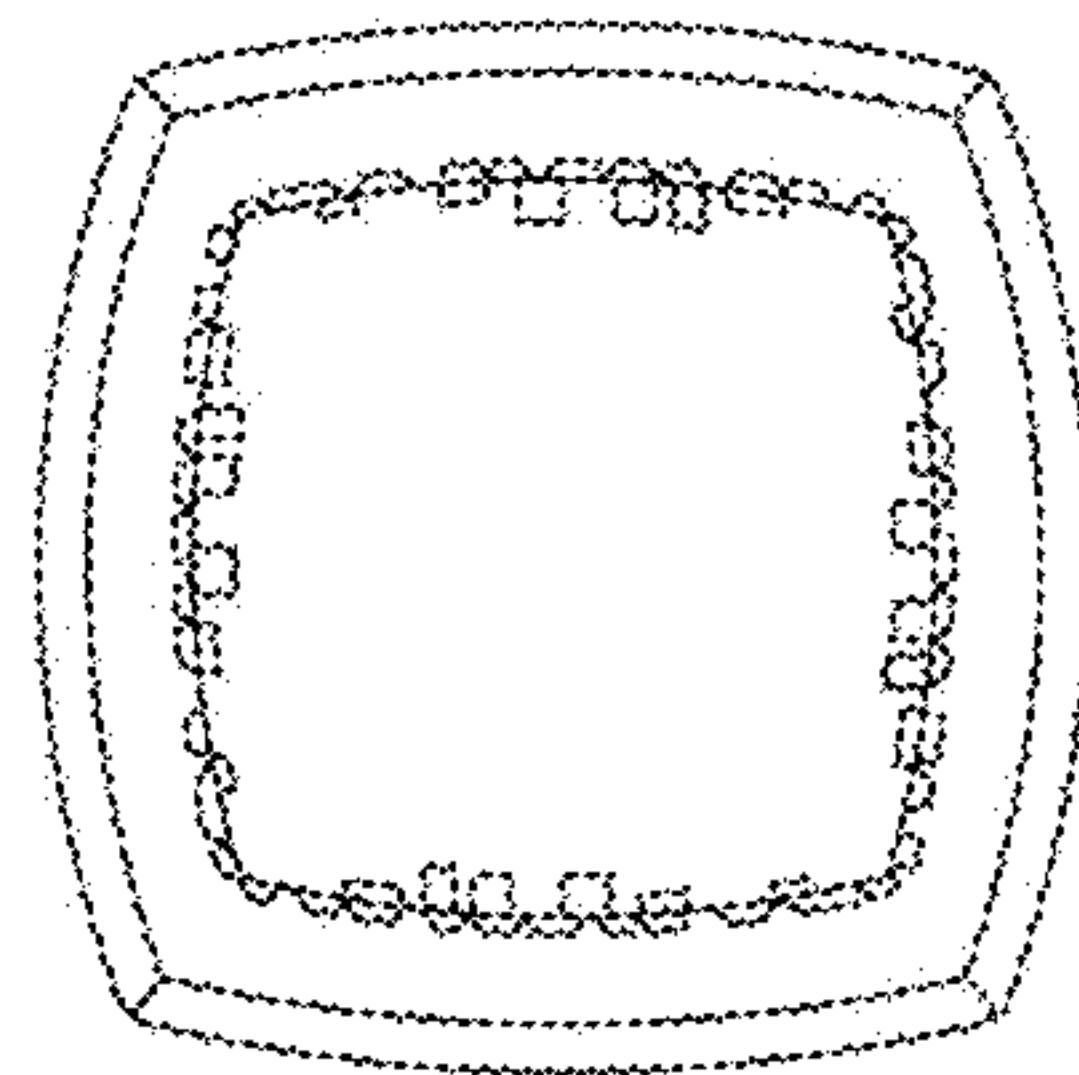


FIG. 6

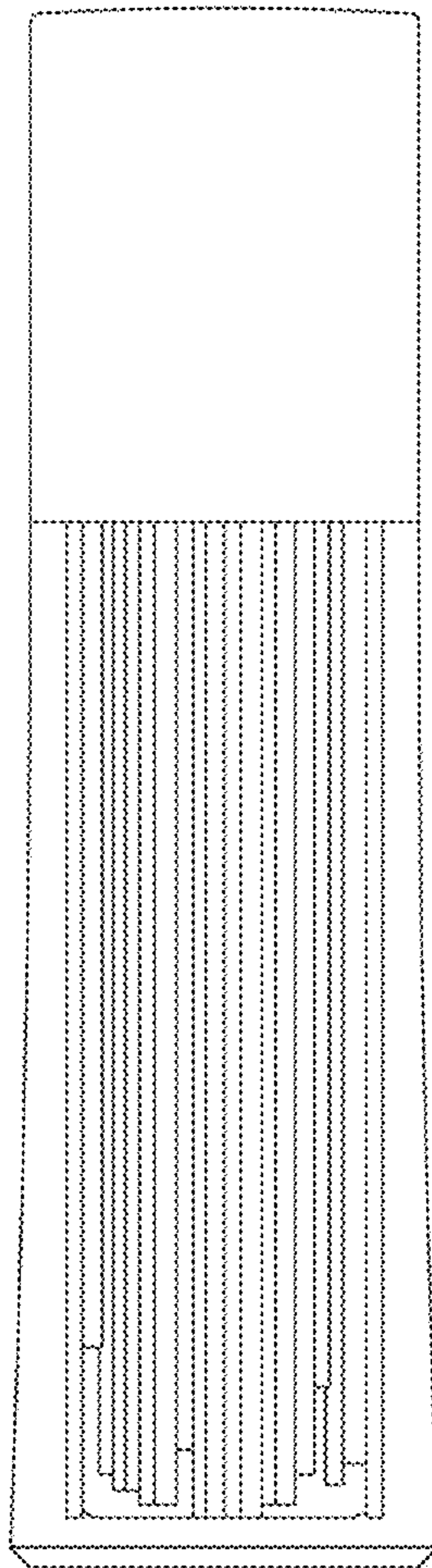


FIG. 7

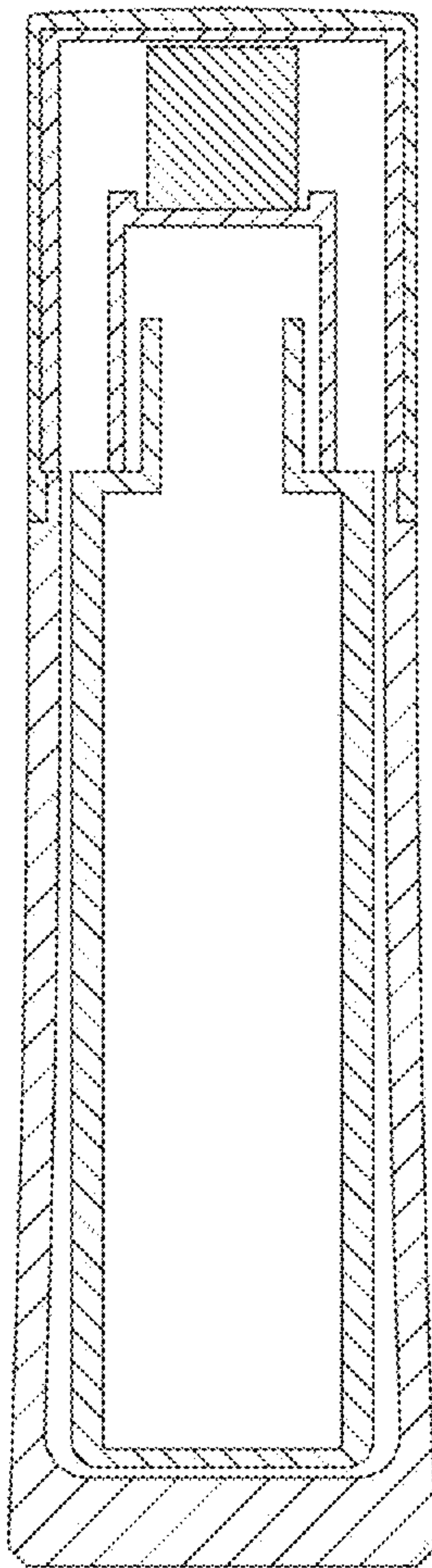


FIG. 8

