



US00D785452S

(12) **United States Design Patent**
Lee et al.

(10) **Patent No.:** **US D785,452 S**
(45) **Date of Patent:** **** May 2, 2017**

(54) **PACKAGE**

- (71) Applicant: **Samsung Electronics Co., Ltd.**,
Suwon-si, Gyeonggi-do (KR)
- (72) Inventors: **Sanghyun Lee**, Seoul (KR); **Sunghoon Chung**, Seoul (KR); **Seolhee Yoon**,
Seoul (KR)
- (73) Assignee: **SAMSUNG ELECTRONICS CO., LTD.**,
Gyeonggi-Do (KR)
- (**) Term: **15 Years**
- (21) Appl. No.: **29/558,837**
- (22) Filed: **Mar. 22, 2016**
- (30) **Foreign Application Priority Data**

Dec. 1, 2015 (KR) 30-2015-0060874

(51) **LOC (10) Cl.** **09-03**

(52) **U.S. Cl.**
USPC **D9/432**

(58) **Field of Classification Search**

USPC D9/414-434, 442-445, 456, 457, 542,
D9/563, 600, 614-624, 655, 657, 658,
D9/661, 695, 697-699, 707, 708, 711,
D9/759, 772-776; D3/273, 276, 304,
D3/310-313; D7/601, 602
CPC B65D 5/00; B65D 5/001; B65D 5/0015;
B65D 5/1209; B65D 5/0227-5/0254;
B65D 5/18

See application file for complete search history.

(56) **References Cited**

U.S. PATENT DOCUMENTS

- D201,317 S * 6/1965 Tamarin D9/418
- 3,302,844 A * 2/1967 Warren B65D 5/38
229/120.18
- 3,877,573 A * 4/1975 Scott B65D 5/4804
206/236
- 4,911,298 A * 3/1990 Miyagawa G11B 23/0233
206/387.1

(Continued)

FOREIGN PATENT DOCUMENTS

- EM 000582739-0001 8/2006
- EM 001175087-0001 10/2009

(Continued)

Primary Examiner — Vy Koenig

Assistant Examiner — Omeed Agilee

(74) *Attorney, Agent, or Firm* — Cantor Colburn LLP

(57) **CLAIM**

The ornamental design for a package, as shown and described.

DESCRIPTION

FIG. 1 is a perspective view of a package, consisting of an inner and outer case, showing our new design;

FIG. 2 is a front view thereof;

FIG. 3 is a rear view thereof;

FIG. 4 is a side view thereof;

FIG. 5 is another side view thereof;

FIG. 6 is a top view thereof;

FIG. 7 is a bottom view thereof;

FIG. 8 is a perspective view of the inner case of the package, shown separately for ease of illustration, with the cover open;

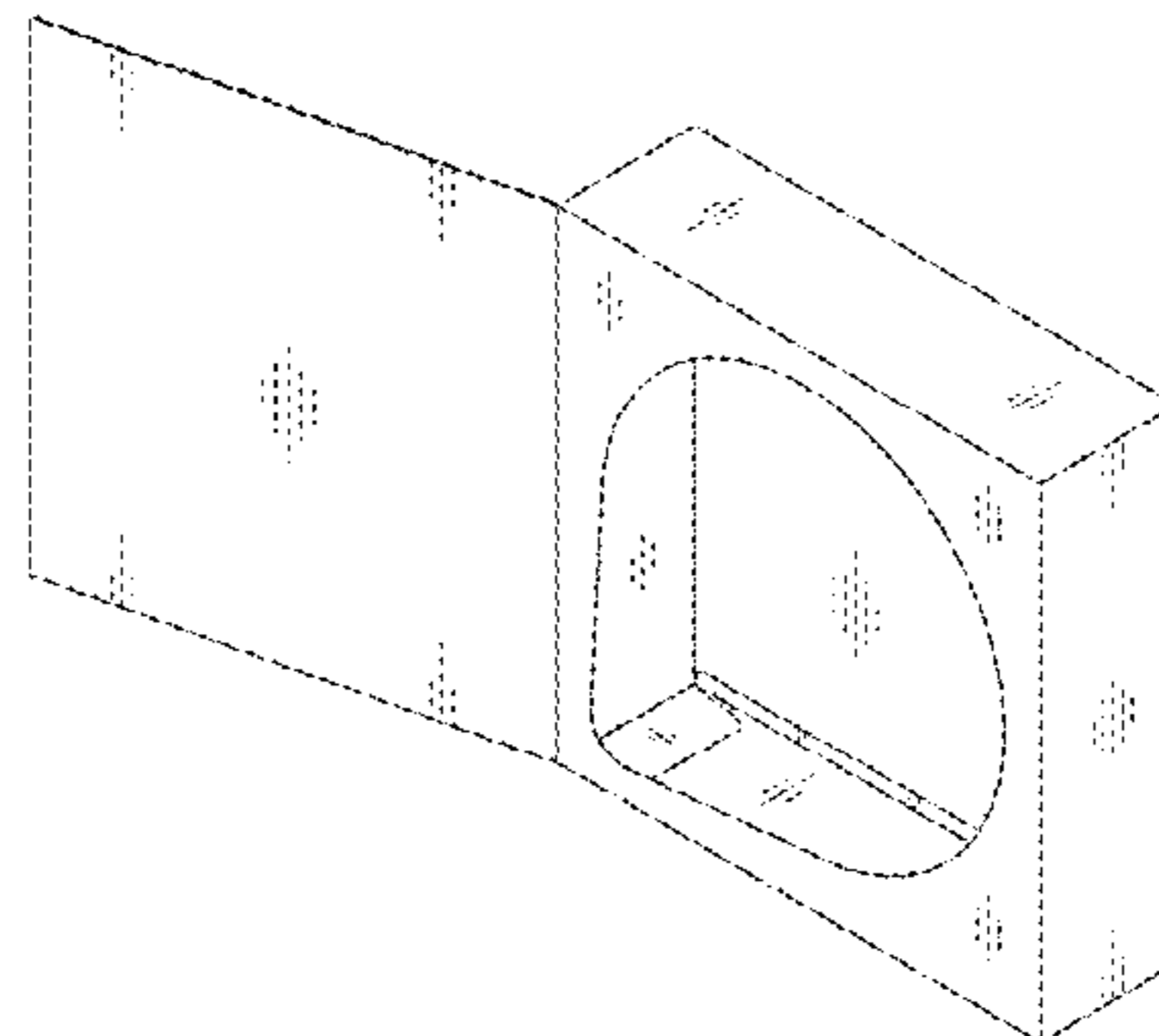
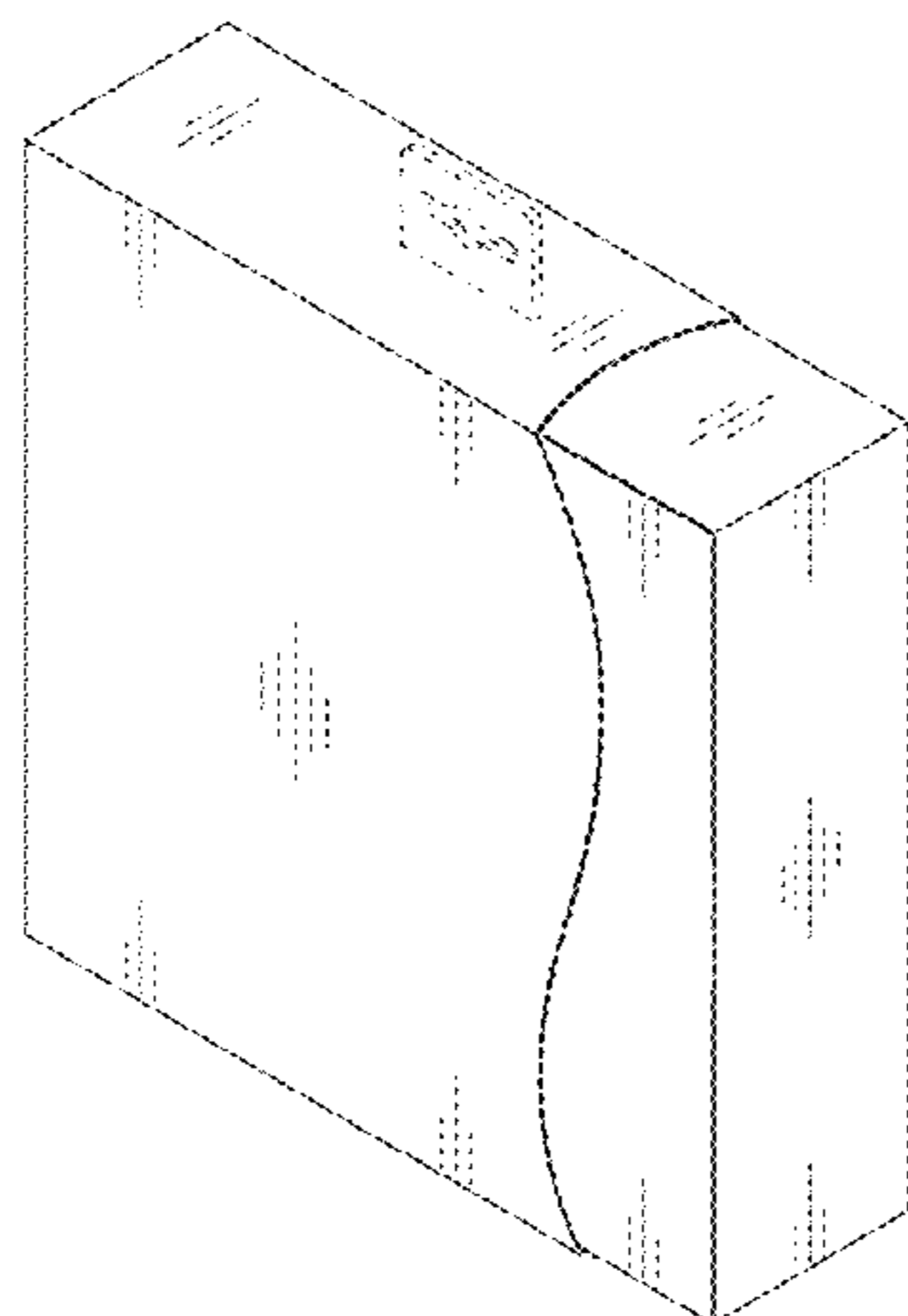
FIG. 9 is a top plan view of an outer case of the package in a flat, blank configuration;

FIG. 10 is a top plan view of an inner case of the package in a flat, blank configuration; and,

FIG. 11 is another perspective view showing a state in which the inner case of the package is slightly pulled out of the outer case of the package.

The broken lines illustrating portions of the package form no part of the claimed design.

1 Claim, 11 Drawing Sheets



(56)

References Cited

U.S. PATENT DOCUMENTS

5,816,394 A * 10/1998 O'Brien B65D 5/5088
206/308.1
D450,444 S * 11/2001 Nott D3/201
D553,984 S * 10/2007 Berger
D580,751 S * 11/2008 Blick D9/432
D581,267 S * 11/2008 Tearle D9/432
D608,635 S * 1/2010 Blick D9/711
D614,025 S * 4/2010 Paredes D9/432
D623,937 S * 9/2010 Tearle D9/423
D624,816 S * 10/2010 Lutzig D27/187
D651,912 S * 1/2012 Boyer D9/433
D652,294 S * 1/2012 Seneca D9/418
D713,716 S * 9/2014 Oja D9/418
9,033,141 B2 * 5/2015 Ghini B65B 61/18
206/264
D732,952 S * 6/2015 Ghini D9/423
D751,756 S * 3/2016 Hearn D27/189
2004/0232013 A1 * 11/2004 Renhed A61F 15/001
206/229

FOREIGN PATENT DOCUMENTS

KR 300552871 S 2/2010
KR 300688830 S 4/2013

* cited by examiner

FIG. 1

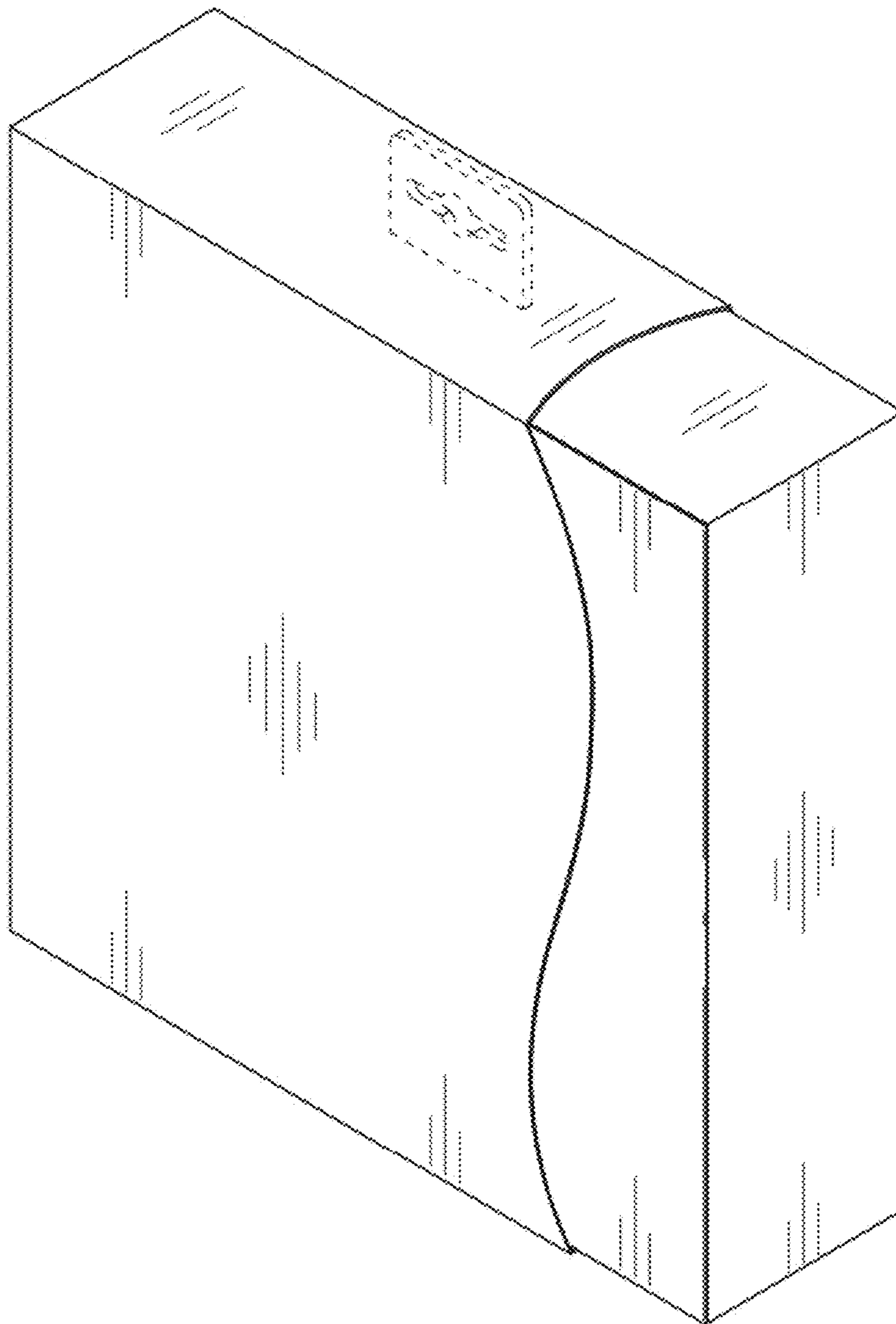


FIG. 2

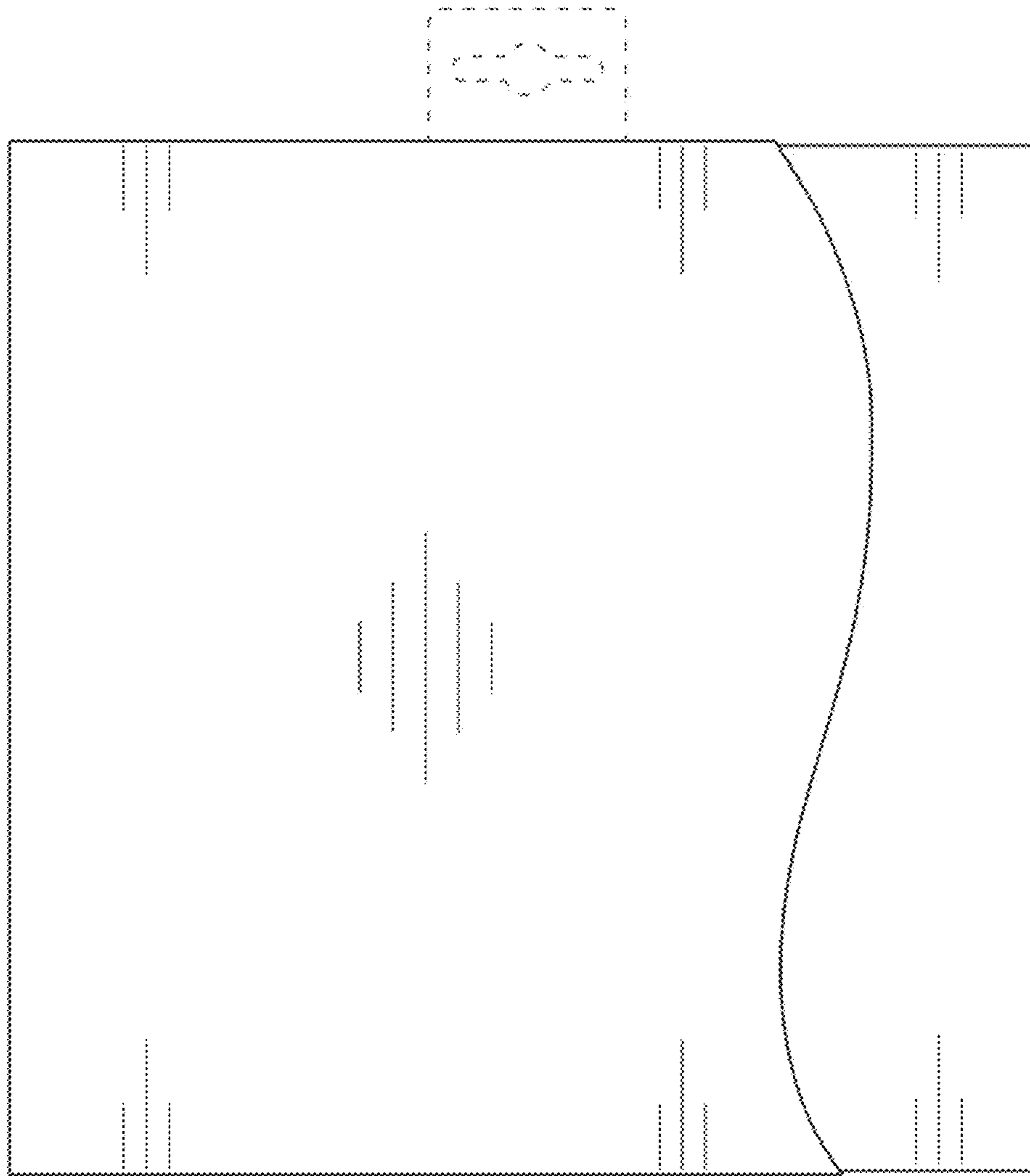


FIG. 3

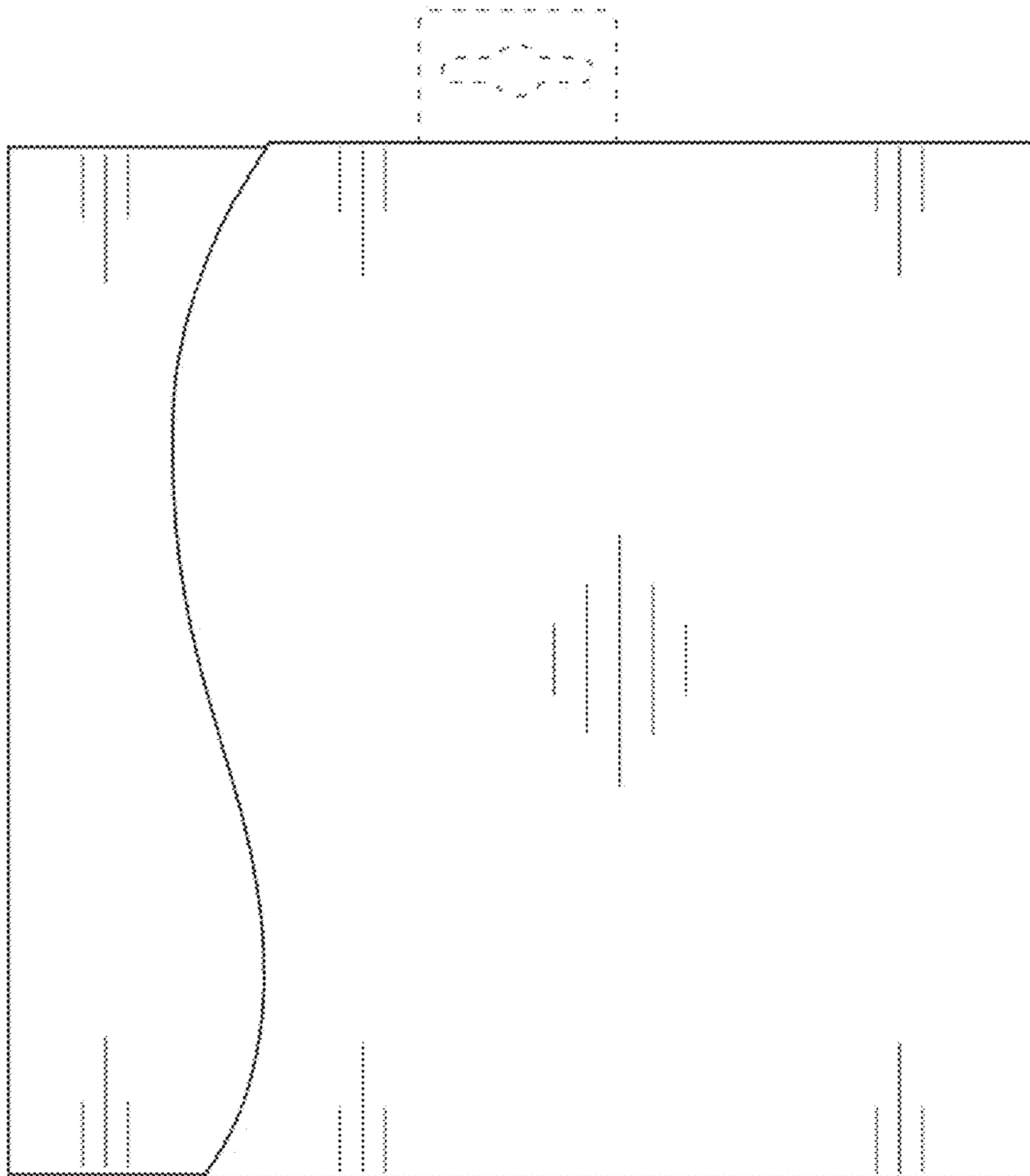


FIG. 4

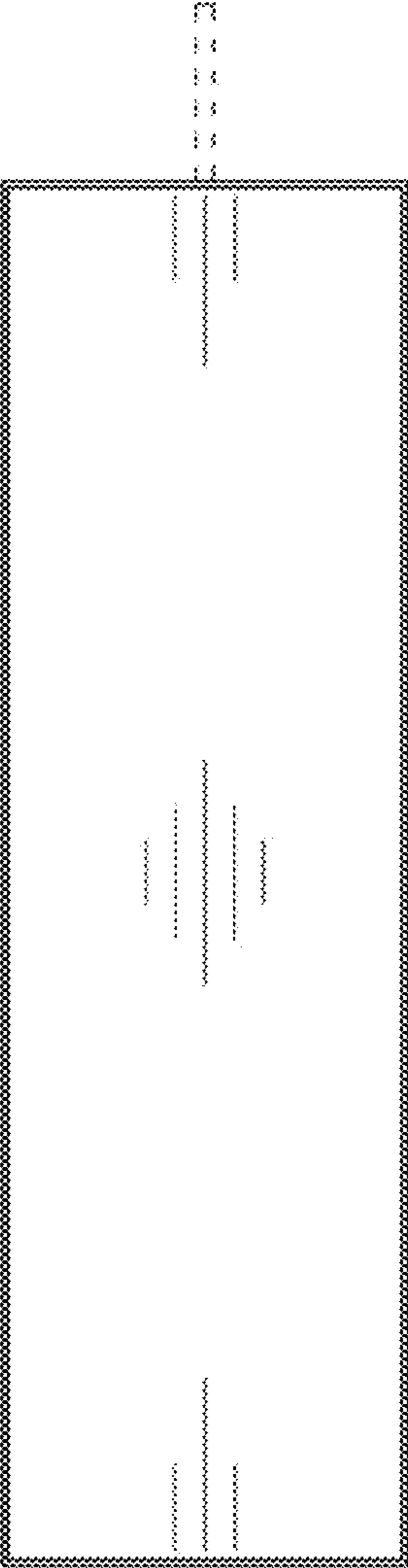


FIG. 5

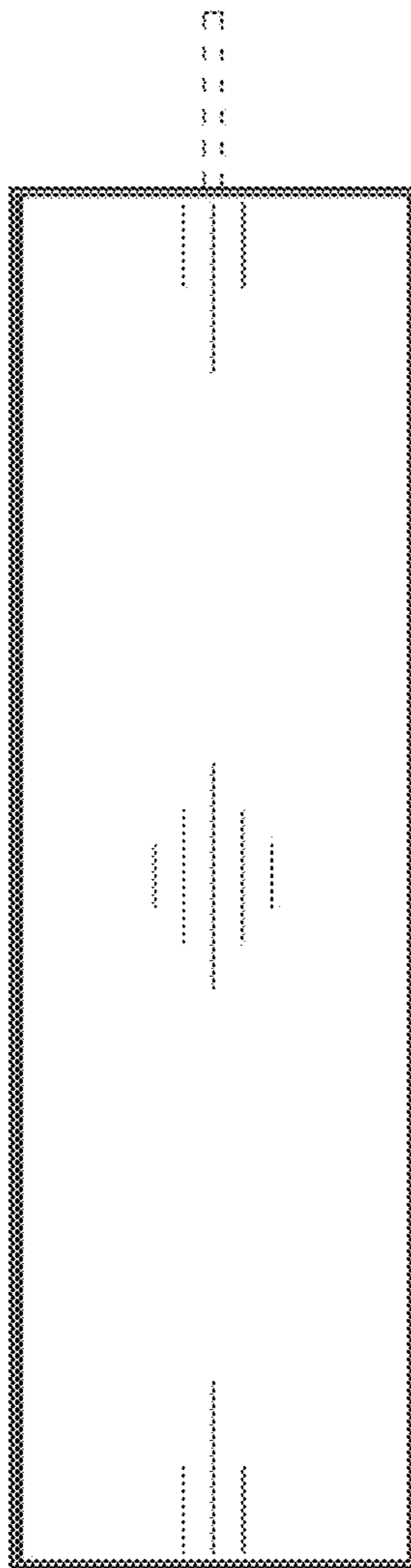


FIG. 6

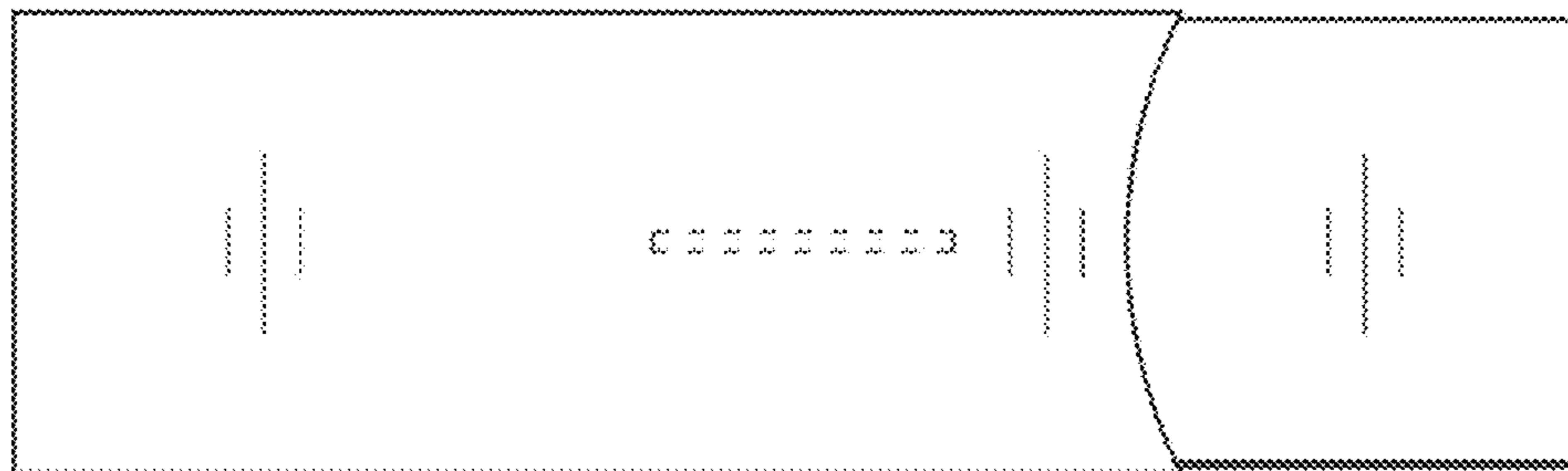


FIG. 7

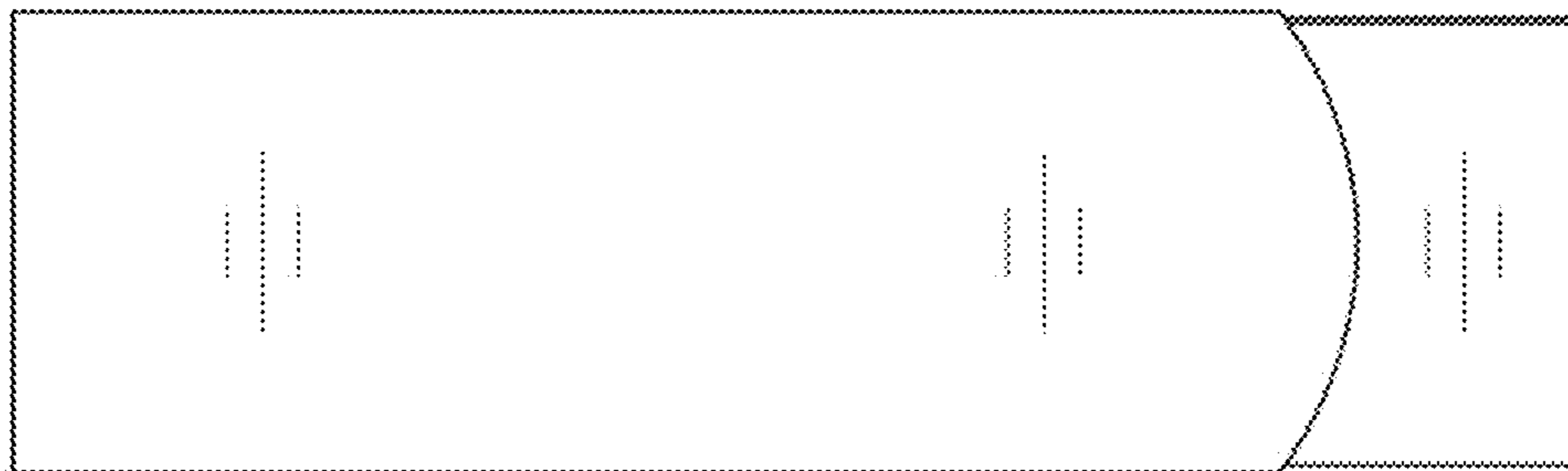


FIG. 8

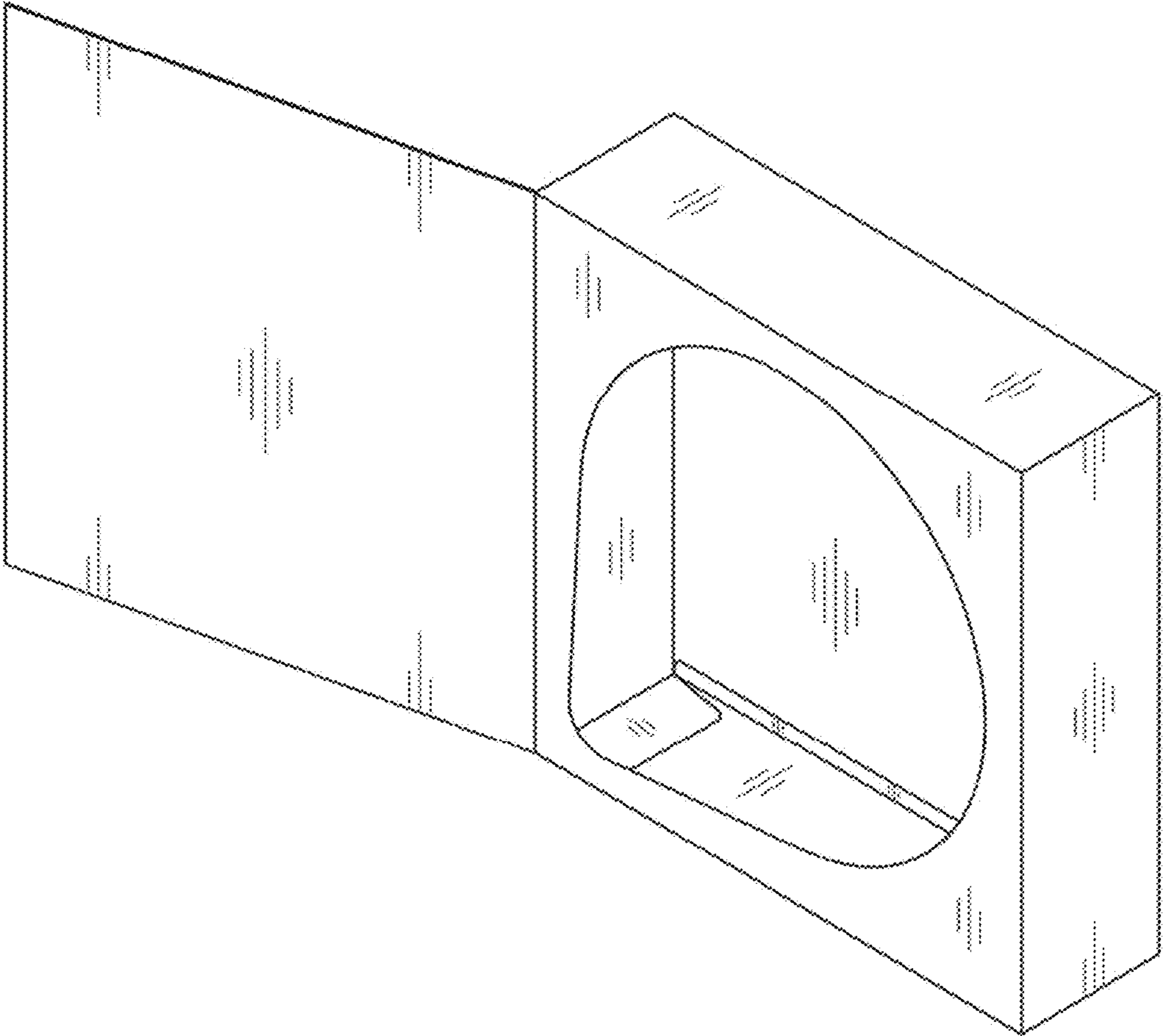


FIG. 9

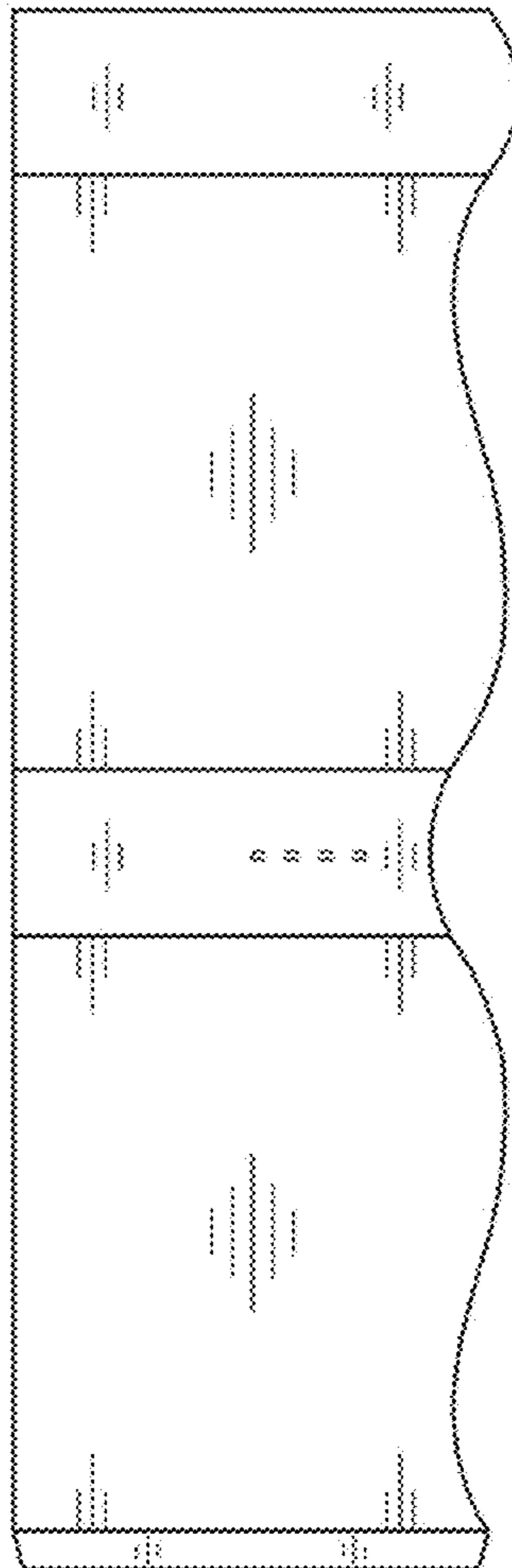


FIG. 10

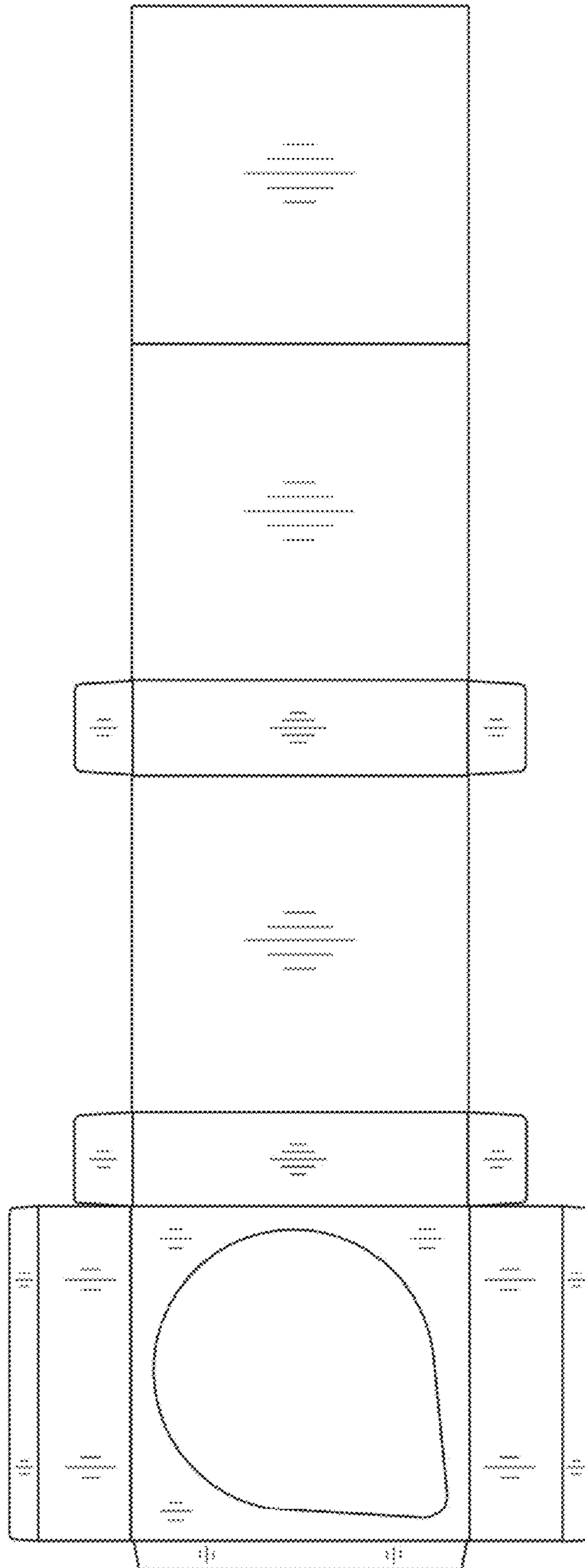


FIG. 11

