



US00D785450S

(12) **United States Design Patent** (10) **Patent No.:** **US D785,450 S**
Purciello (45) **Date of Patent:** **** May 2, 2017**

(54) **SPORTS BALL DISPLAY CARTON**
(71) Applicant: **Franklin Sports, Inc.**, Stoughton, MA (US)
(72) Inventor: **John F Purciello**, Weymouth, MA (US)
(73) Assignee: **FRANKLIN SPORTS, INC.**, Stoughton, MA (US)
(**) Term: **15 Years**

D505,321 S * 5/2005 Bechard D9/418
D597,832 S * 8/2009 Bischoff D9/431
D653,534 S * 2/2012 Shinn D9/415
D682,113 S * 5/2013 Lee D9/431
D701,455 S * 3/2014 Shepherd D9/418
D753,993 S * 4/2016 Simmons D9/430
2002/0084201 A1 * 7/2002 Murray B65D 5/5019
206/315.9
2003/0057121 A1 * 3/2003 Kohler B65D 5/00
206/315.9
2007/0000806 A1 * 1/2007 Oliveira B65D 5/2009
206/779
2008/0047858 A1 * 2/2008 Conklin B65D 5/10
206/315.9

(21) Appl. No.: **29/565,828**

* cited by examiner

(22) Filed: **May 24, 2016**

(51) **LOC (10) Cl.** **09-03**

(52) **U.S. Cl.**
USPC **D9/418**

(58) **Field of Classification Search**
USPC D9/414, 415, 418, 469; D6/672;
D7/590, 601; D3/201, 203.1-7, 231, 232;
206/315.9, 799, 780
CPC . B65D 1/00; B65D 1/22; B65D 1/225; B65D
5/00; B65D 5/008
See application file for complete search history.

Primary Examiner — Wan Laymon

Assistant Examiner — Clint A Samuel

(74) *Attorney, Agent, or Firm* — Joseph B. Bowman

(57) **CLAIM**

The ornamental design for a sports ball display carton, as shown and described.

DESCRIPTION

FIG. 1 is a perspective view of a sports ball display carton showing a preferred embodiment of my new design with a sports ball shown in phantom lines;
FIG. 2 is a front elevational view thereof;
FIG. 3 is a rear elevational view thereof;
FIG. 4 is a right side elevational view thereof;
FIG. 5 is a left side elevational view thereof; and
FIG. 6 is a top plan view thereof; and,
FIG. 7 is a bottom plan view thereof.

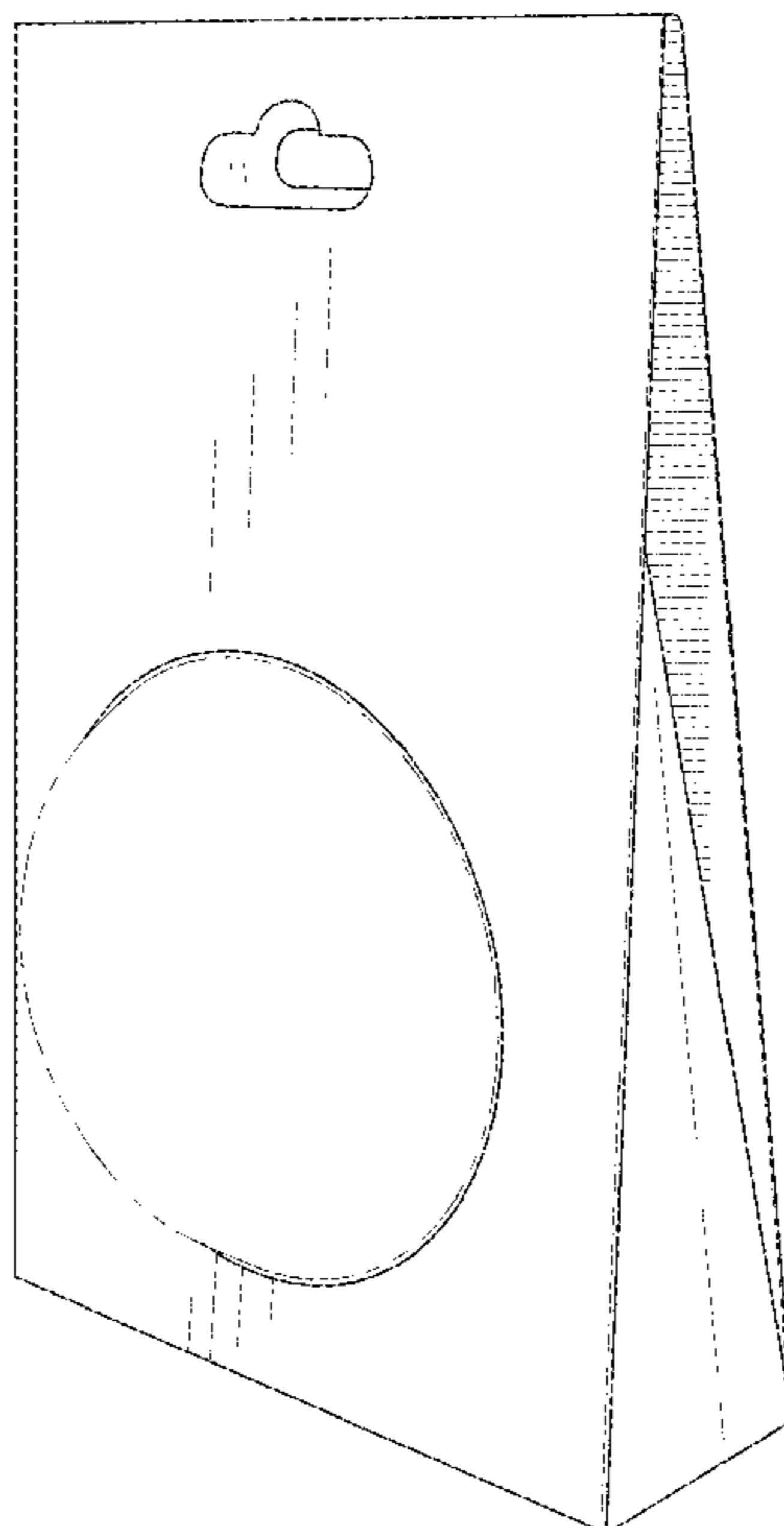
The phantom lines shown in FIG. 1 are included for the purpose of illustrating portions of the sports ball display carton and form no part of the claimed design.

(56) **References Cited**

U.S. PATENT DOCUMENTS

3,815,735 A 6/1974 Cucuo
D255,547 S * 6/1980 Grodin D9/418
D271,943 S * 12/1983 Beise D9/415
D293,212 S * 12/1987 Zuliani D9/418
D309,262 S * 7/1990 Coiner D9/418
5,322,210 A * 6/1994 Chila B65D 5/029
206/315.9
D464,878 S * 10/2002 Thompson D9/415
D469,687 S * 2/2003 Larian D9/415
6,644,473 B2 11/2003 Kohler

1 Claim, 5 Drawing Sheets



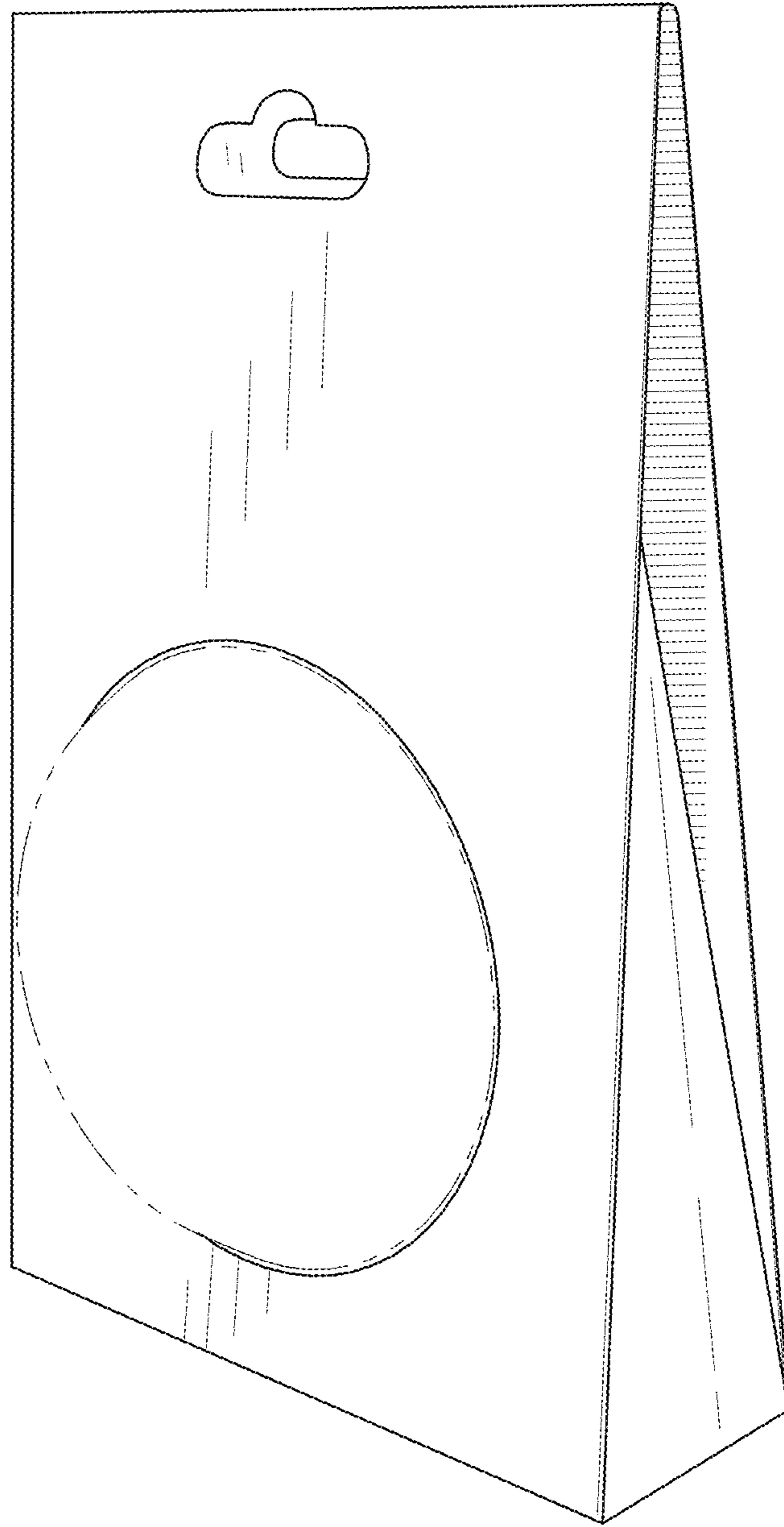


FIG. 1

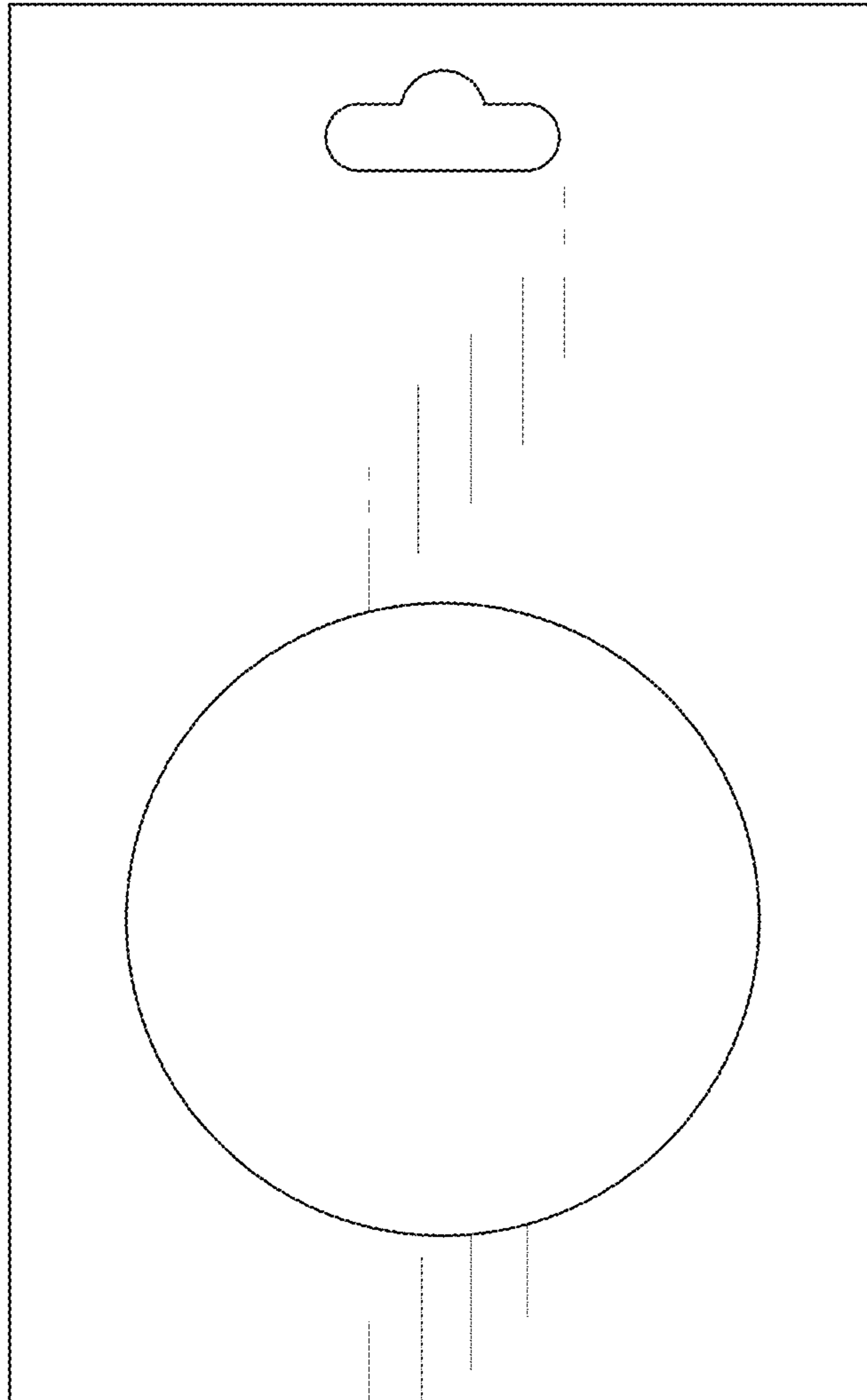


FIG. 2

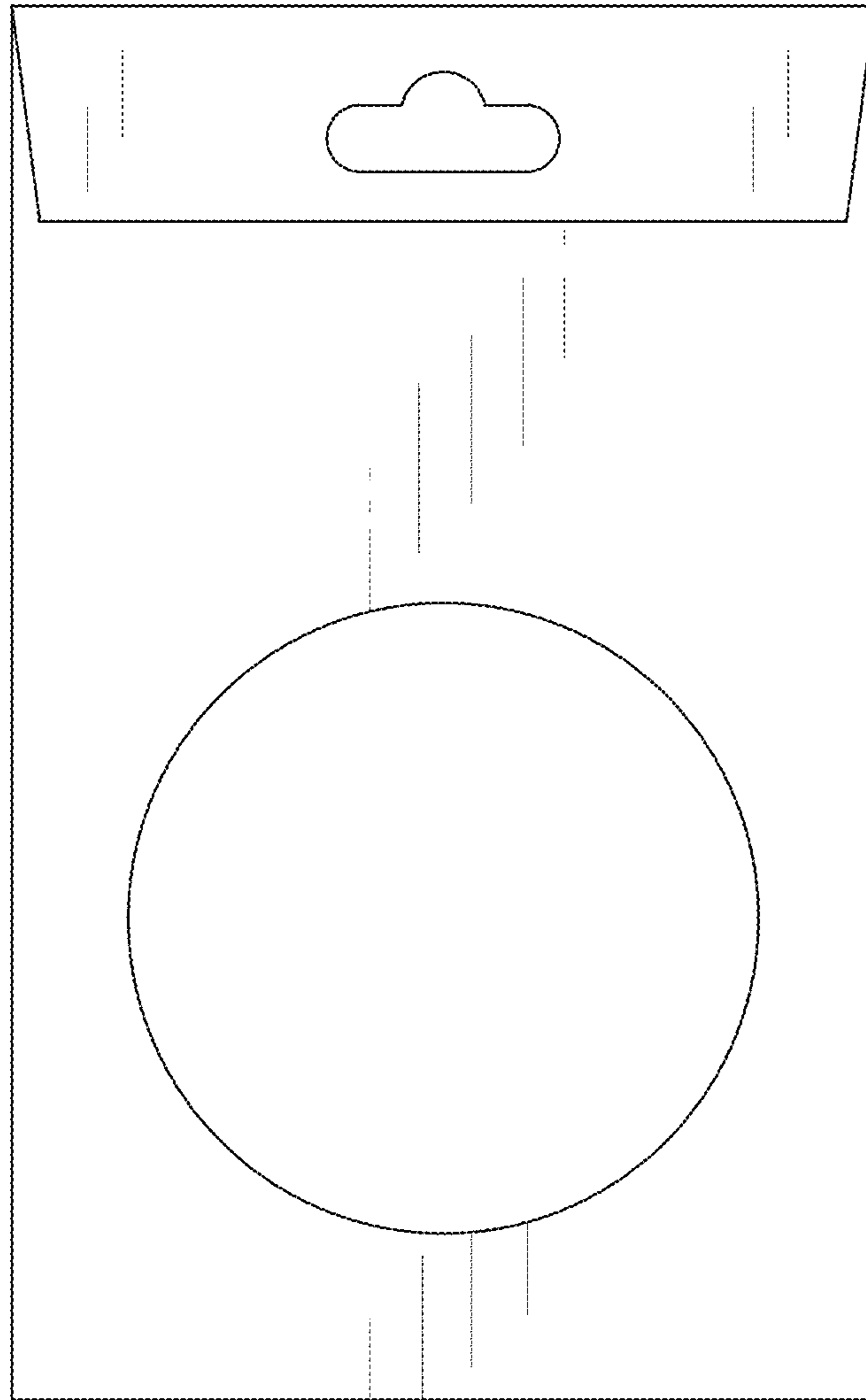


FIG. 3

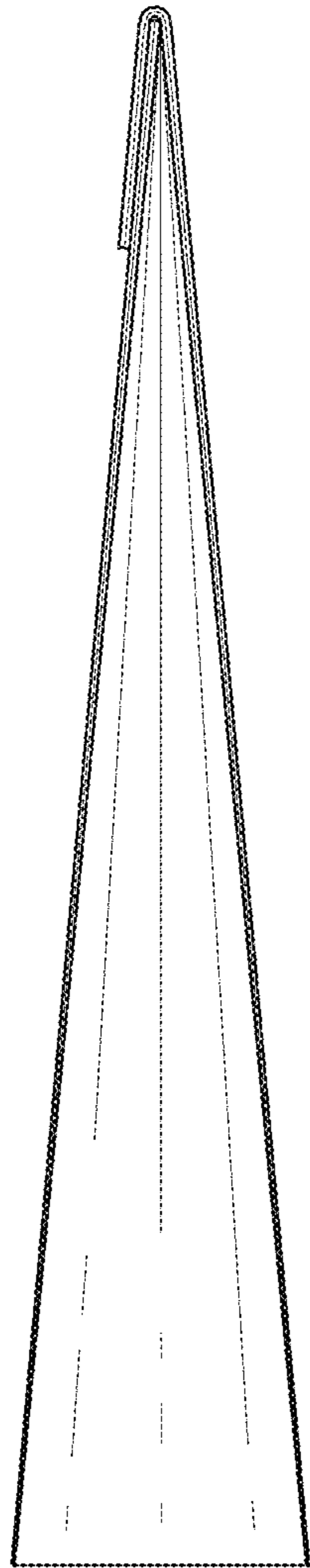


FIG. 4

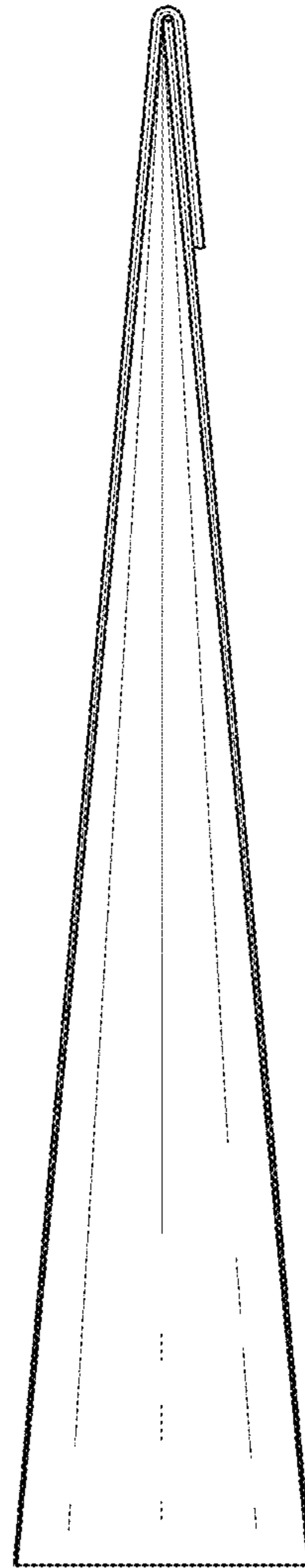


FIG. 5

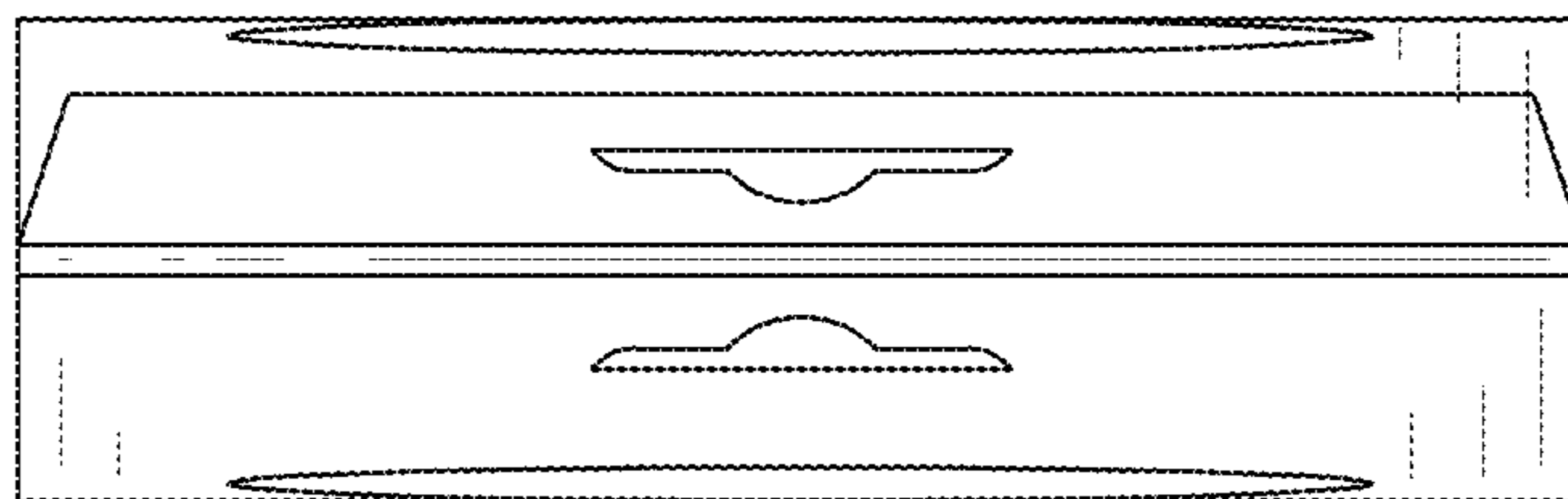


FIG. 6

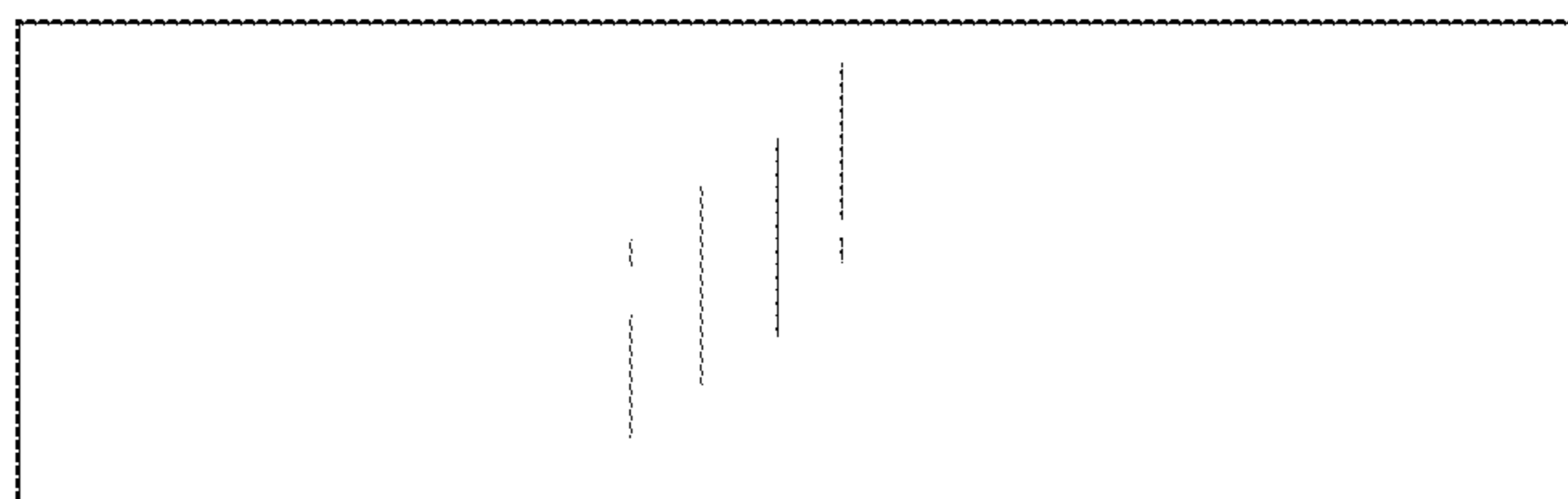


FIG. 7