



US00D785448S

(12) **United States Design Patent** (10) **Patent No.:** **US D785,448 S**  
**Wolf** (45) **Date of Patent:** **\*\* May 2, 2017**

(54) **BEVERAGE CONTAINER**  
(71) Applicant: **LBP Manufacturing, Inc.**, Cicero, IL (US)

D267,475 S \* 1/1983 Maroszek ..... D9/418  
D271,944 S \* 12/1983 Wood ..... D9/416  
4,471,884 A 9/1984 Kuchenbecker  
(Continued)

(72) Inventor: **Kurt Wolf**, Chicago, IL (US)  
(73) Assignee: **LBP Manufacturing LLC**, Cicero, IL (US)

FOREIGN PATENT DOCUMENTS

AU 493047 3/1976  
EP 1127807 8/2001  
(Continued)

(\*\*) Term: **14 Years**

OTHER PUBLICATIONS

(21) Appl. No.: **29/518,788**  
(22) Filed: **Feb. 27, 2015**  
(51) **LOC (10) Cl.** ..... **09-03**  
(52) **U.S. Cl.**  
USPC ..... **D9/414**  
(58) **Field of Classification Search**  
USPC ..... D9/414-418, 431, 430, 523, 753, 560;  
206/815, 485; 229/117.14, 117.06;  
119/168  
CPC ..... B65D 27/00; B65D 5/18; B65D 5/3628;  
B65D 5/4204; A01K 1/0125  
See application file for complete search history.

Examination Report issued in related Taiwan Application No. 104304666 dated Feb. 19, 2016 and English translation of the same (6 pages).

(Continued)

*Primary Examiner* — Rhea Shields  
(74) *Attorney, Agent, or Firm* — Fitch, Even, Tabin & Flannery LLP

(57) **CLAIM**

I claim the ornamental design for a beverage container, as shown and described.

**DESCRIPTION**

(56) **References Cited**

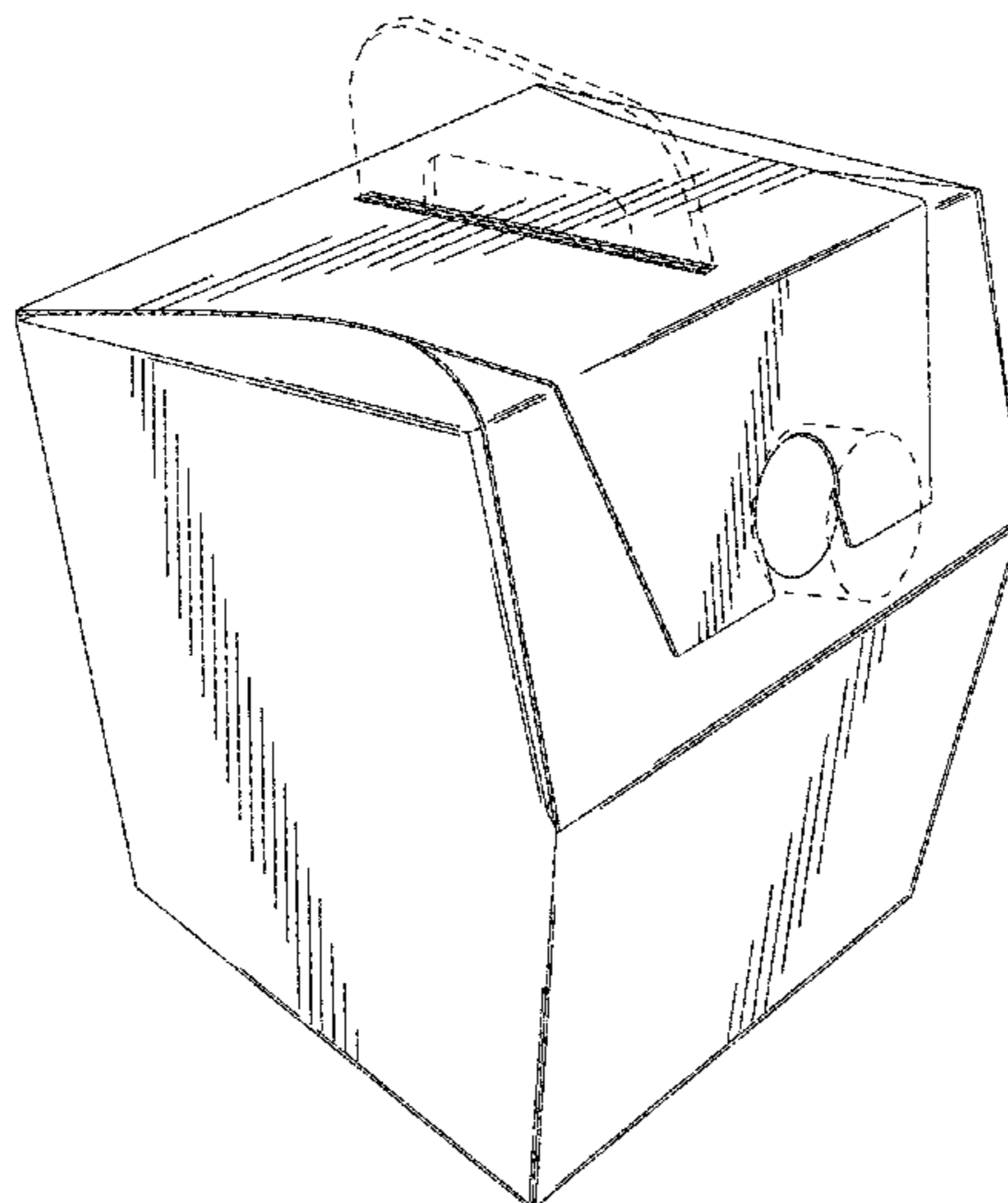
U.S. PATENT DOCUMENTS

720,864 A \* 2/1903 Walter ..... B65D 27/00  
206/815  
1,527,399 A \* 2/1925 Davidson ..... B65D 5/18  
229/117.14  
1,532,316 A \* 4/1925 Kaufman ..... B65D 5/3628  
229/117.06  
2,638,210 A \* 5/1953 Sparks ..... B65D 5/4204  
206/485  
2,714,982 A 8/1955 Strauss  
3,087,655 A 4/1963 Scholle  
3,227,322 A 1/1966 Crain  
3,363,807 A 1/1968 Powell  
3,785,254 A 1/1974 Mann  
D261,861 S \* 11/1981 Carter ..... D9/418

FIG. 1 is a perspective view of a beverage container showing my new design;  
FIG. 2 is a left side elevational view thereof;  
FIG. 3 is a right side elevational view thereof;  
FIG. 4 is a rear elevational view thereof;  
FIG. 5 is a front elevational view thereof;  
FIG. 6 is top plan view thereof;  
FIG. 7 is a bottom plan view thereof; and,  
FIG. 8 is an enlarged left side view of the encircled area shown in FIG. 2.

In the drawings, the broken lines are for the purpose of illustrating environment only and form no part of the claimed design.

**1 Claim, 8 Drawing Sheets**



(56)

References Cited

U.S. PATENT DOCUMENTS

4,658,961 A 4/1987 Tamura  
 4,815,631 A 3/1989 Eeg  
 5,074,429 A 12/1991 Konkel  
 5,092,486 A 3/1992 vomHofe  
 5,147,062 A 9/1992 Heuberger  
 5,193,712 A 3/1993 Kuppertsbusch  
 5,201,462 A 4/1993 Sada  
 5,263,339 A 11/1993 Evans  
 5,265,753 A 11/1993 Moorman  
 D346,738 S \* 5/1994 Kinigakis ..... D9/418  
 D350,692 S \* 9/1994 Seki ..... D9/414  
 5,704,541 A 1/1998 Mogard  
 5,715,992 A 2/1998 Andrews, Sr.  
 5,769,028 A 6/1998 Deckys  
 D396,805 S \* 8/1998 Broyles ..... D9/432  
 D401,148 S \* 11/1998 Bouraoui ..... D9/432  
 5,909,841 A 6/1999 Andrews, Sr.  
 5,950,831 A 9/1999 Millet  
 D418,751 S \* 1/2000 Wolf ..... D9/432  
 6,053,401 A 4/2000 Andrews, Sr.  
 D424,433 S \* 5/2000 Perkins ..... D9/431  
 D425,413 S \* 5/2000 Heeley ..... D9/415  
 6,062,431 A 5/2000 Geshay  
 6,168,074 B1 1/2001 Petriekis  
 D437,218 S \* 2/2001 Ljunstrom ..... D9/417  
 6,182,887 B1 2/2001 Ljunstrom  
 6,196,452 B1 3/2001 Andrews, Sr.  
 6,209,781 B1 4/2001 Sylvester  
 D442,859 S \* 5/2001 Hirschey ..... D9/418  
 6,223,981 B1 5/2001 Gunder  
 6,253,993 B1 7/2001 Lloyd  
 6,290,124 B2 9/2001 Andrews, Sr.  
 D454,492 S \* 3/2002 Dammers ..... D9/417  
 D475,284 S \* 6/2003 Bomer ..... D9/523  
 RE38,377 E 1/2004 Geshay  
 D494,861 S \* 8/2004 Guidotti ..... D9/431  
 7,066,869 B2 6/2006 Cook  
 7,077,309 B2 7/2006 Andrews, Sr.  
 D526,206 S \* 8/2006 Varlet ..... D9/560  
 D527,998 S \* 9/2006 Nixon ..... D9/431  
 D548,071 S \* 8/2007 Chen ..... D9/432

7,255,261 B2 \* 8/2007 Mesly ..... A01K 1/0125  
 119/168  
 D567,079 S \* 4/2008 Fant ..... D9/753  
 D578,876 S \* 10/2008 Ambelang ..... D9/418  
 D586,221 S \* 2/2009 Shaikh ..... D9/523  
 7,571,835 B2 8/2009 Hill  
 D609,088 S \* 2/2010 Kvam ..... D9/431  
 7,681,783 B2 3/2010 Stephenson  
 D616,739 S \* 6/2010 Kalberer ..... D9/431  
 D617,635 S 6/2010 Gould  
 D622,139 S \* 8/2010 Marcott ..... D9/418  
 D625,600 S \* 10/2010 Hill ..... D9/431  
 D652,293 S \* 1/2012 Sander ..... D9/430  
 D670,163 S \* 11/2012 Lauritzen ..... D9/431  
 D674,690 S \* 1/2013 Sill ..... D9/431  
 D680,425 S \* 4/2013 Boswell ..... D9/431  
 D684,853 S \* 6/2013 Dagnino ..... D9/417  
 D685,633 S \* 7/2013 Thomas ..... D9/416  
 D686,882 S 7/2013 Chiu et al.  
 D688,939 S \* 9/2013 Pearson ..... D9/431  
 D690,590 S \* 10/2013 Fux ..... D9/431  
 D693,677 S \* 11/2013 Pearson ..... D9/431  
 8,627,999 B2 1/2014 Wolf  
 D701,455 S \* 3/2014 Shepherd ..... D9/418  
 D702,117 S \* 4/2014 Dagnino ..... D9/417  
 2002/0047040 A1 4/2002 Andrews  
 2005/0211754 A1 9/2005 Fulcher  
 2006/0202005 A1 9/2006 Andrews  
 2006/0243783 A1 11/2006 Spivey  
 2010/0127057 A1 5/2010 Burke

FOREIGN PATENT DOCUMENTS

GB 1161713 8/1969  
 JP 9164609 6/1997  
 JP D1400012 11/2010  
 JP D1450074 9/2012

OTHER PUBLICATIONS

Examination Report issued in related Taiwan Application No. 104305390 dated Mar. 11, 2016 and English translation of the same (6 pages).

\* cited by examiner

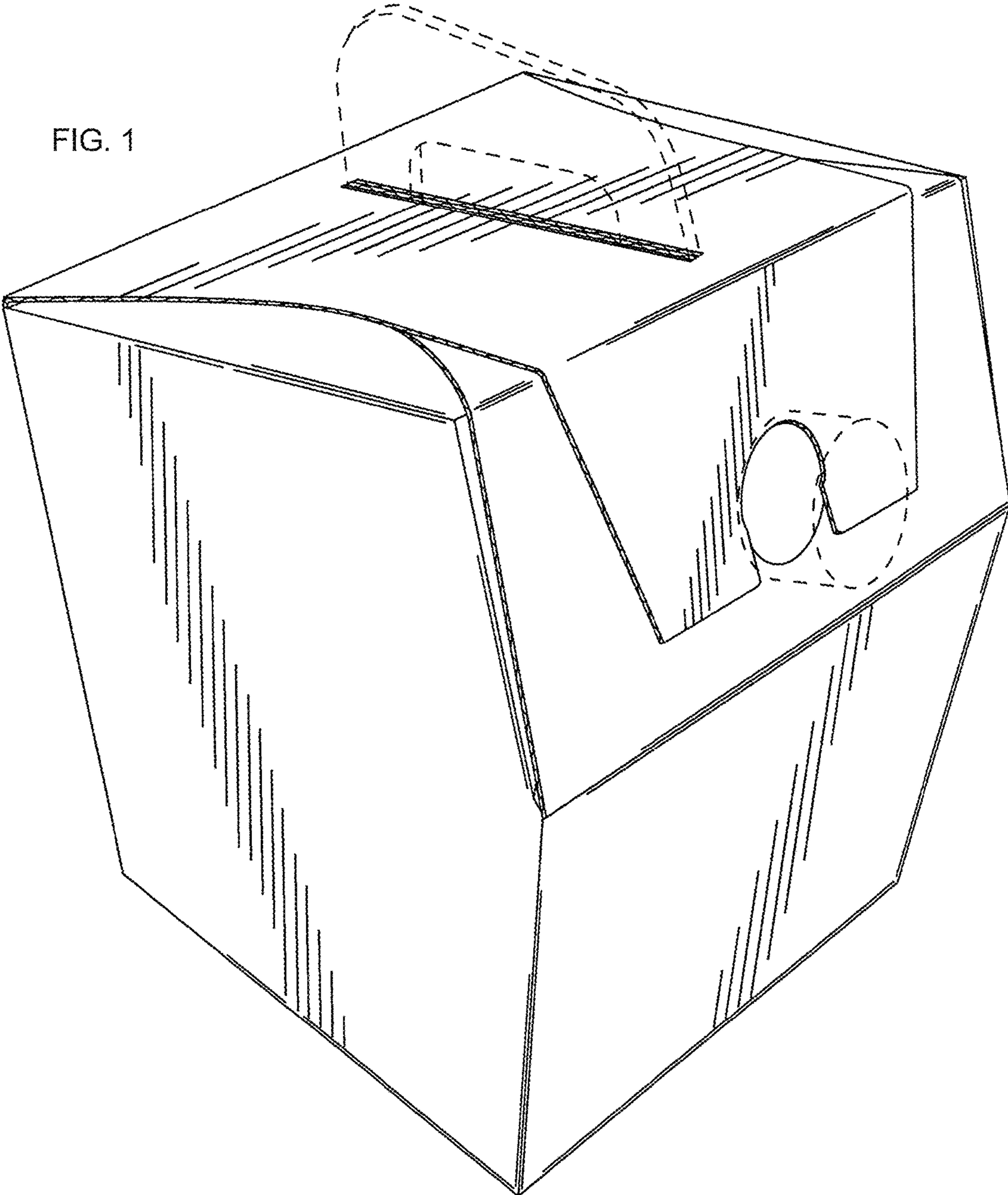
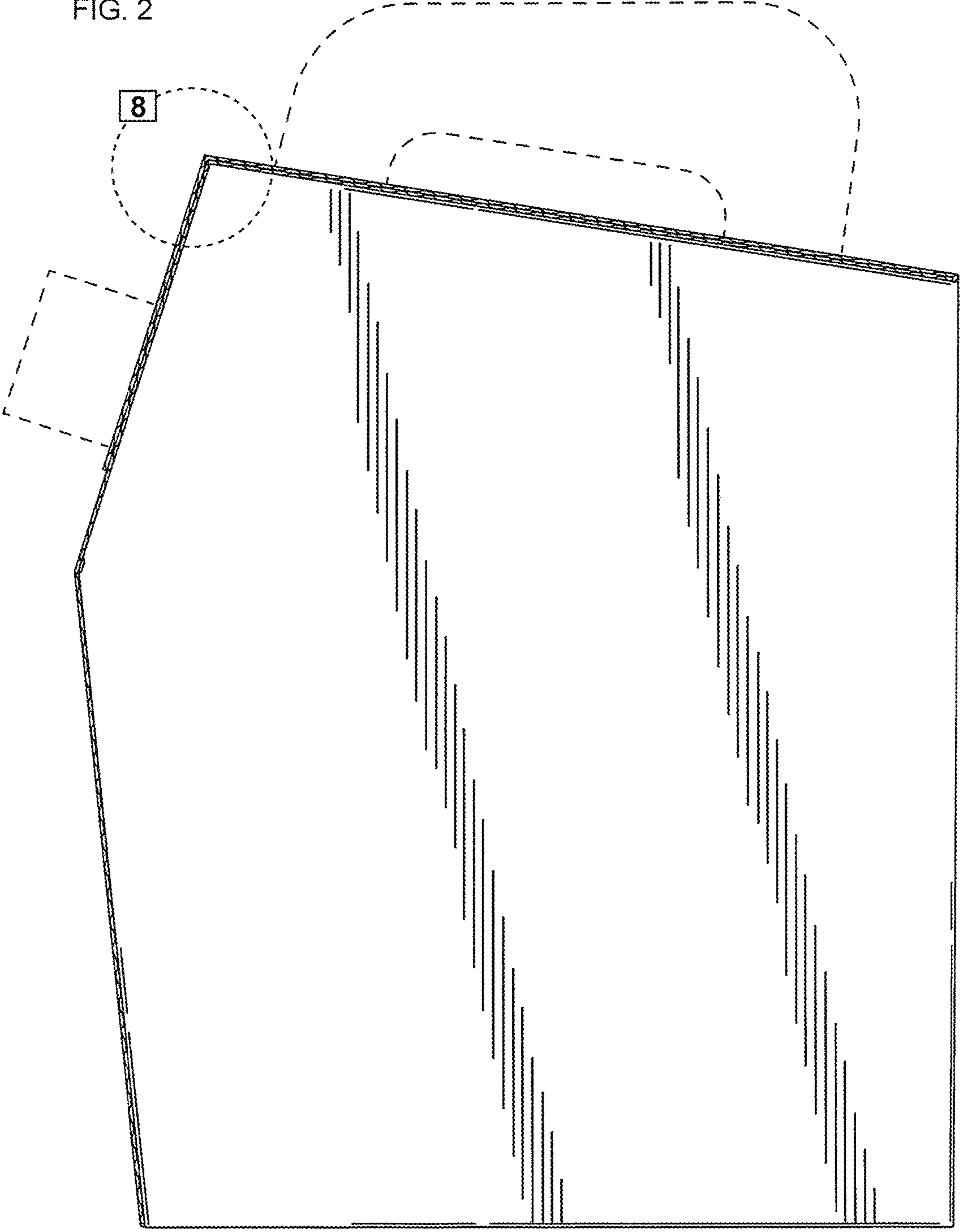


FIG. 1

FIG. 2



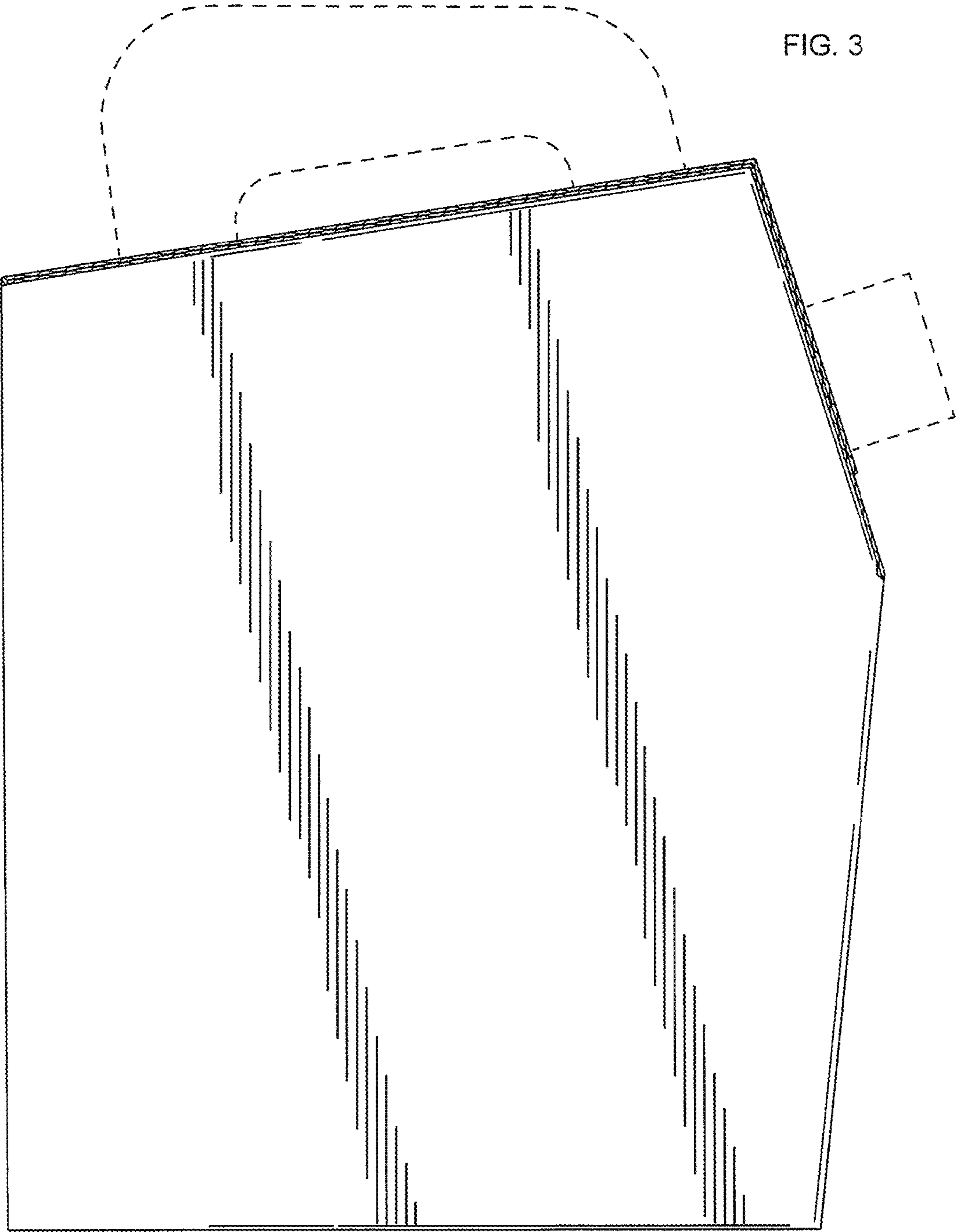


FIG. 4

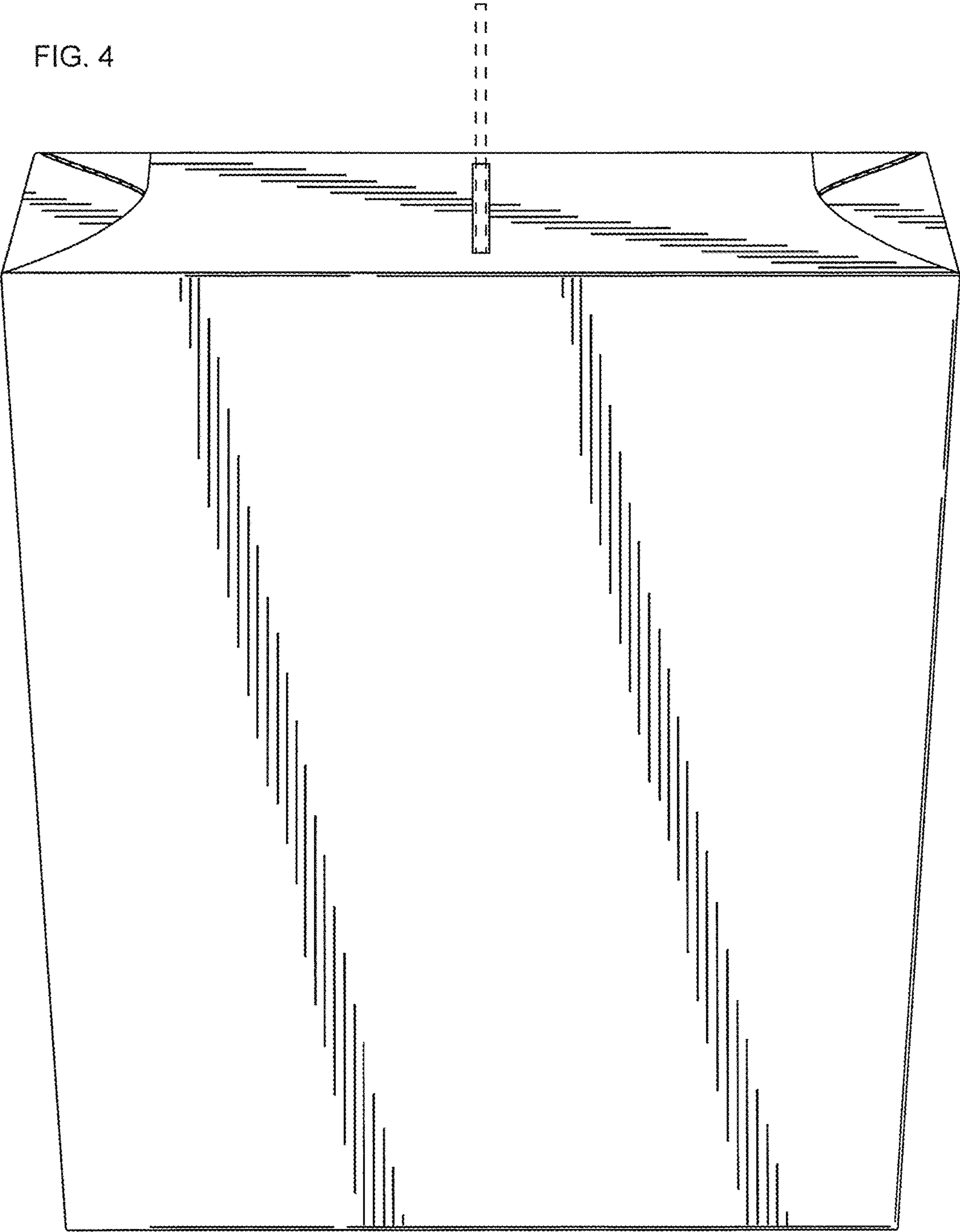


FIG. 5

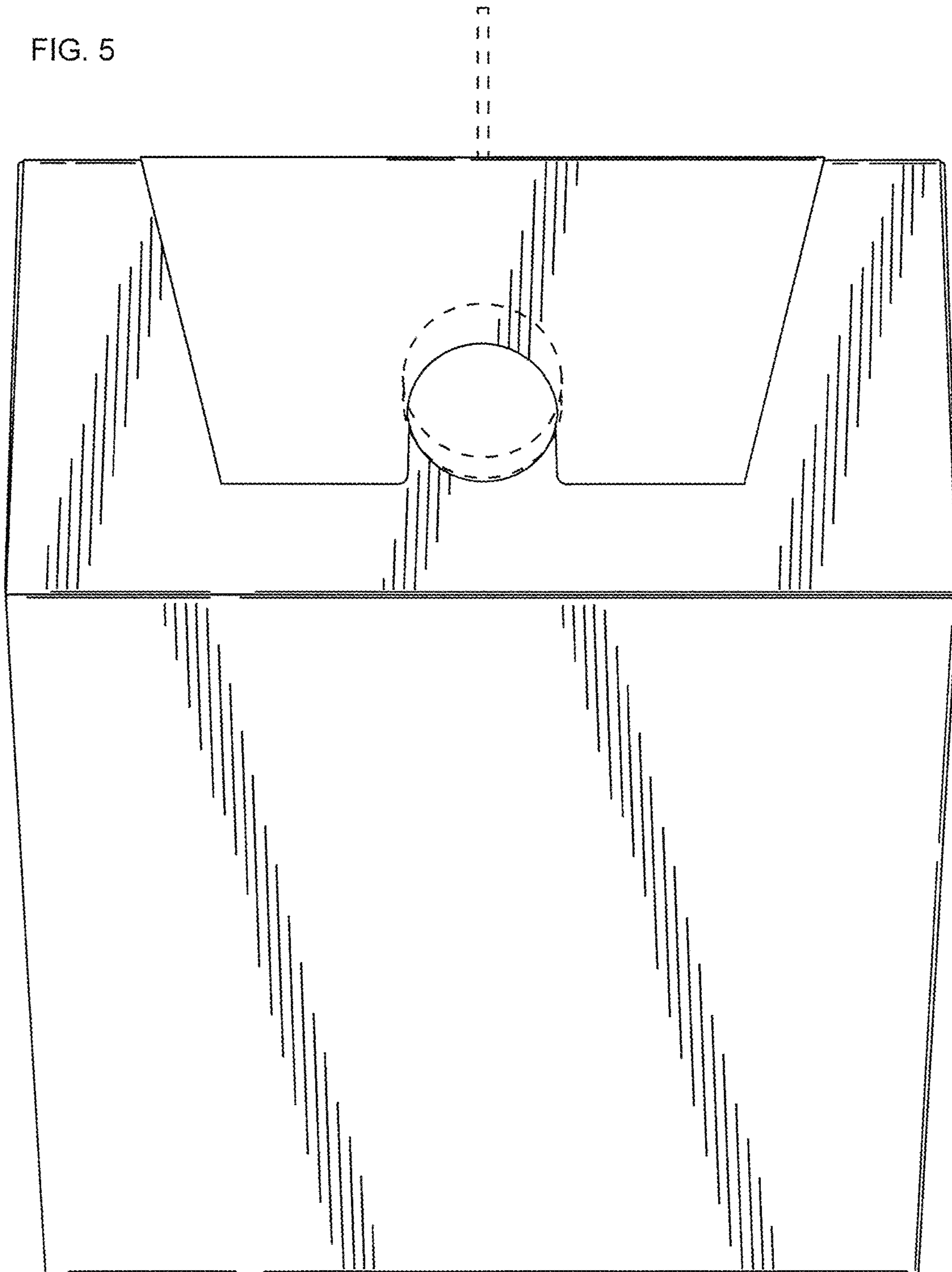


FIG. 6

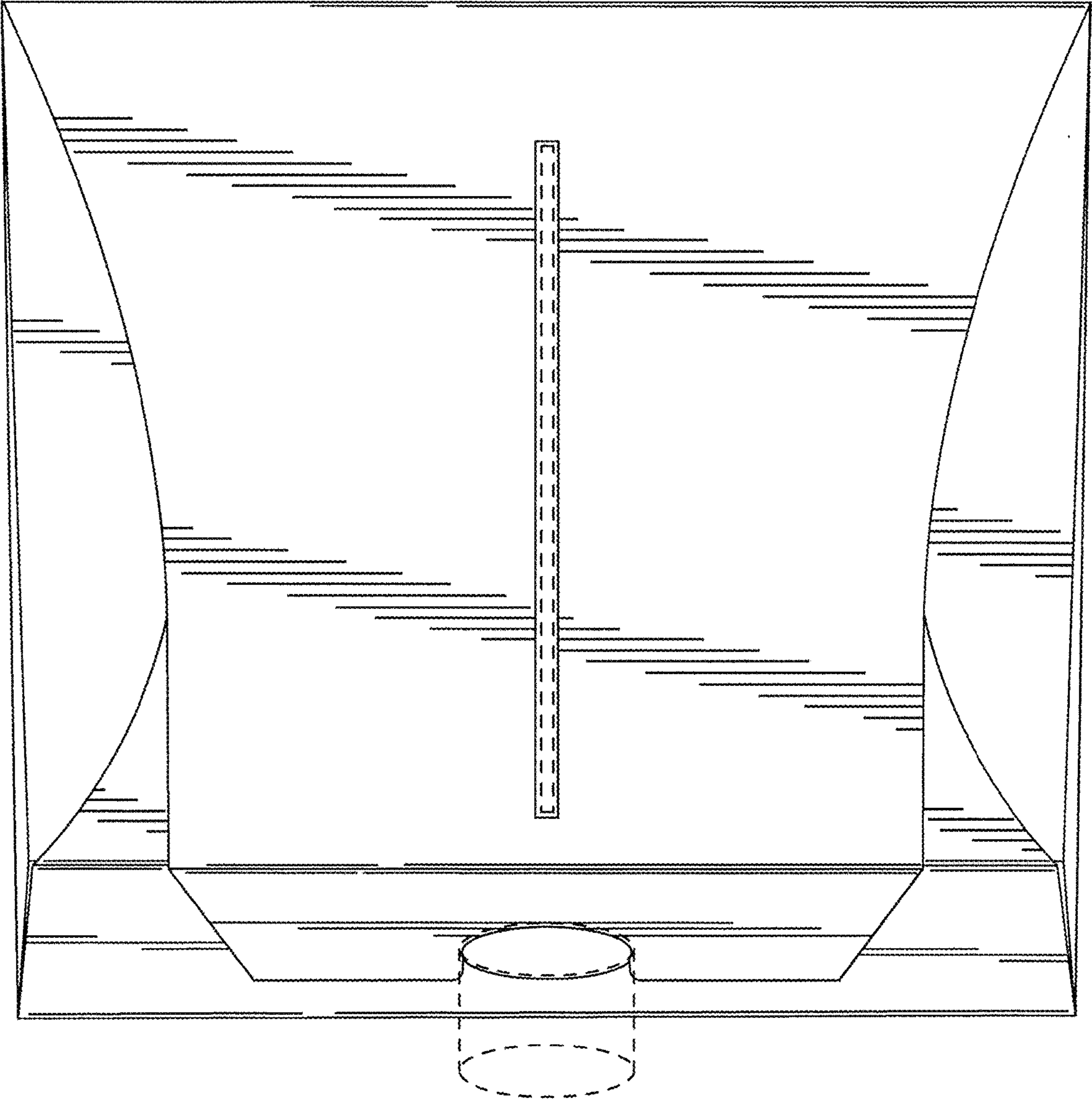




FIG. 7

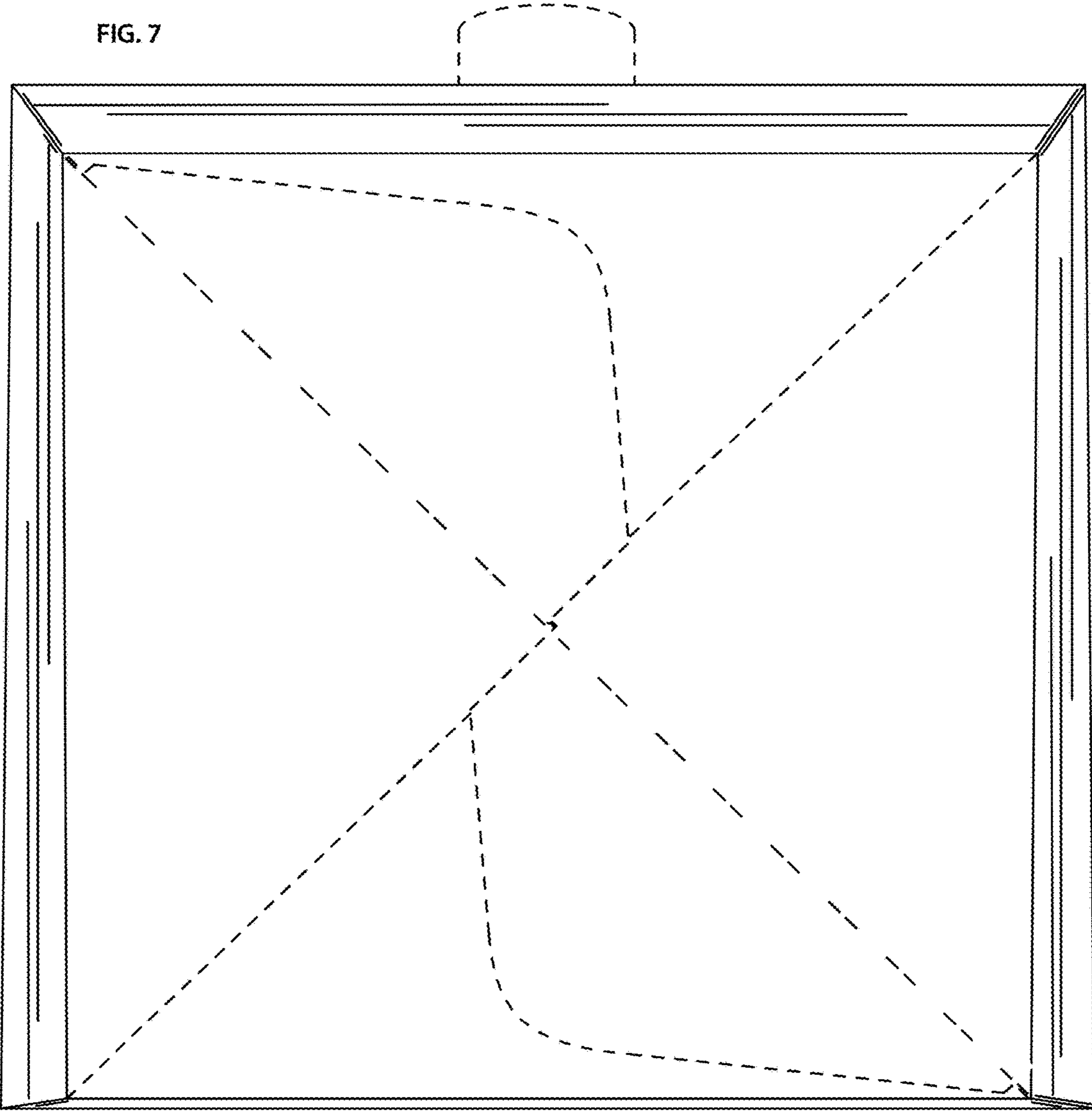


FIG. 8

