



US00D785445S

(12) **United States Design Patent**
Hong et al.

(10) **Patent No.:** **US D785,445 S**

(45) **Date of Patent:** **** May 2, 2017**

(54) **NAMETAG CLIP**

(71) Applicant: **CCL Label, Inc.**, Framingham, MA
(US)

(72) Inventors: **Le-Hoa Hong**, Temple City, CA (US);
Manuel Amaya, San Diego, CA (US);
Tina Huff, Mission Viejo, CA (US);
Chang Yan, Ningbo (CN); **Yangfang Cheng**, Ningbo (CN)

(73) Assignee: **CCL Label, Inc.**, Framingham, MA
(US)

(**) Term: **15 Years**

(21) Appl. No.: **29/554,983**

(22) Filed: **Feb. 17, 2016**

(51) **LOC (10) Cl.** **08-08**

(52) **U.S. Cl.**
USPC **D8/395**

(58) **Field of Classification Search**
USPC D30/161-162, 199; D8/394-396, 367;
D11/24, 9, 78.1, 40; D19/65
CPC B65D 33/16; B42F 9/001; D06F 55/00
See application file for complete search history.

(56) **References Cited**

U.S. PATENT DOCUMENTS

- 327,553 A * 10/1885 Heysinger A47G 25/485
211/57.1
- 358,243 A * 2/1887 Adt B42F 9/001
24/67.5
- 499,924 A * 6/1893 Keep A44B 99/00
132/277
- 1,259,458 A * 3/1918 Norris D06F 55/00
24/507
- D251,124 S * 2/1979 Takeuchi D19/65
- 4,228,569 A * 10/1980 Snyder A44B 99/00
24/489
- D277,534 S * 2/1985 Warmath D32/61
- D288,901 S * 3/1987 Zamek D8/395

- 4,662,039 A * 5/1987 Richardson A44B 99/00
24/346
- D315,864 S * 4/1991 Embree D8/373
- 5,079,808 A * 1/1992 Brown B42F 1/02
24/499
- D328,668 S * 8/1992 Legrand D2/978
- D393,797 S * 4/1998 Kostigian D32/64

(Continued)

FOREIGN PATENT DOCUMENTS

JP D1224004 * 11/2004

OTHER PUBLICATIONS

Wholesale office supplies Plastic ID Card Name Tag Holder Badge hook Clip | eBay, site update Oct. 15, 2016, <http://www.ebay.com/itm/Wholesale-office-supplies-Plastic-ID-Card-Name-Tag-Holder-Badge-hook-Clip-/252000594671>, [site visited Jan. 5, 2017 10:29:25 PM].*

Primary Examiner — John Windmuller

Assistant Examiner — John R Yeh

(74) *Attorney, Agent, or Firm* — McDonald Hopkins LLC

(57) **CLAIM**

The ornamental design for a nametag clip, as shown and described.

DESCRIPTION

FIG. 1 is a perspective view of a nametag clip showing our new design;

FIG. 2 is a first side view thereof;

FIG. 3 is a second side view thereof;

FIG. 4 is a rear view thereof;

FIG. 5 is a front view thereof;

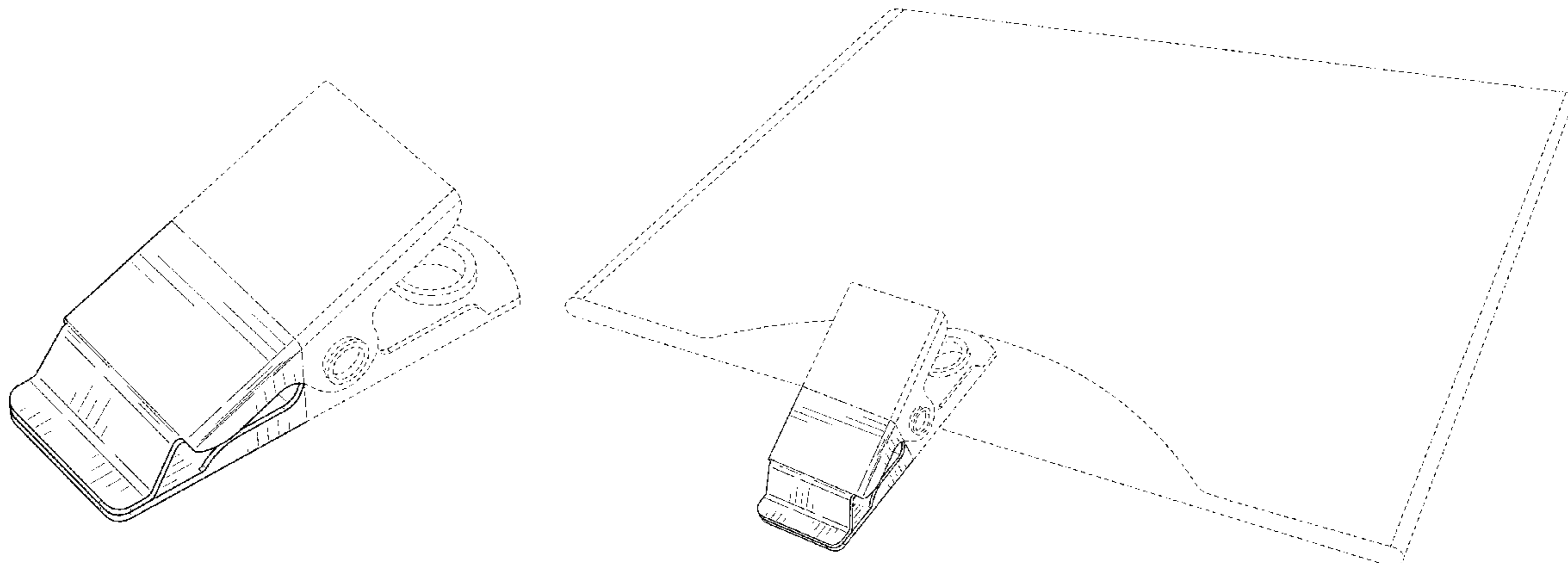
FIG. 6 is a top view thereof;

FIG. 7 is a bottom view thereof; and,

FIG. 8 is a perspective view of the nametag clip attached to a nametag member.

The broken lines shown in the figures are for illustrative purposes only and form no part of the claimed design.

1 Claim, 4 Drawing Sheets



(56)

References Cited

U.S. PATENT DOCUMENTS

5,941,487	A	*	8/1999	Keely	B60R 7/082
						248/231.51
D447,048	S	*	8/2001	Beloff	D8/395
D536,605	S	*	2/2007	Roychowdhury	D8/395
D574,226	S	*	8/2008	Wolff	D8/395
D590,892	S	*	4/2009	Healy	D20/43
D697,917	S	*	1/2014	Sato	D14/420
D738,200	S	*	9/2015	Forrest	D32/61
D742,354	S	*	11/2015	McNamara	D14/205
D753,991	S	*	4/2016	Pan	D8/395

* cited by examiner

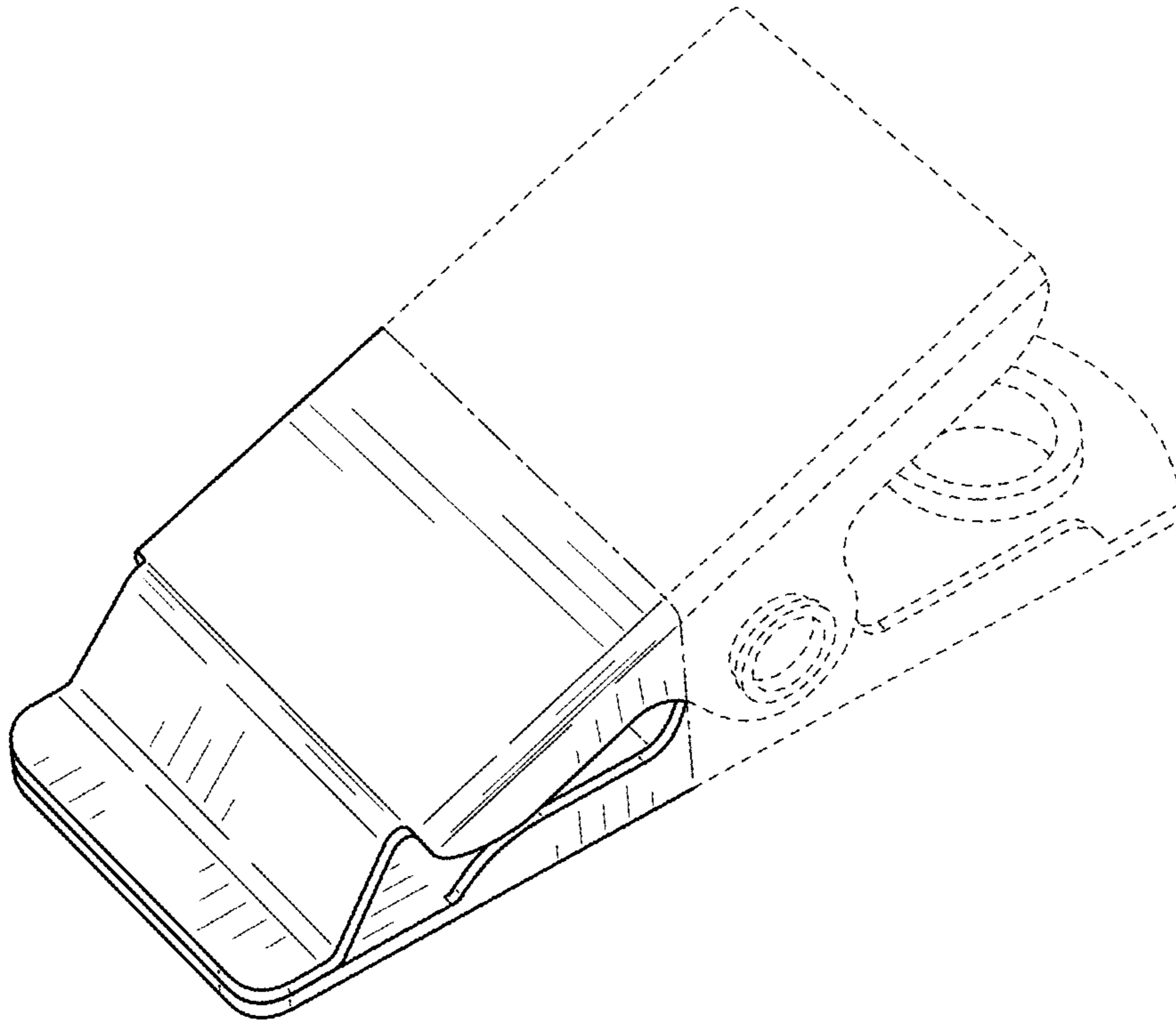


FIG. 1

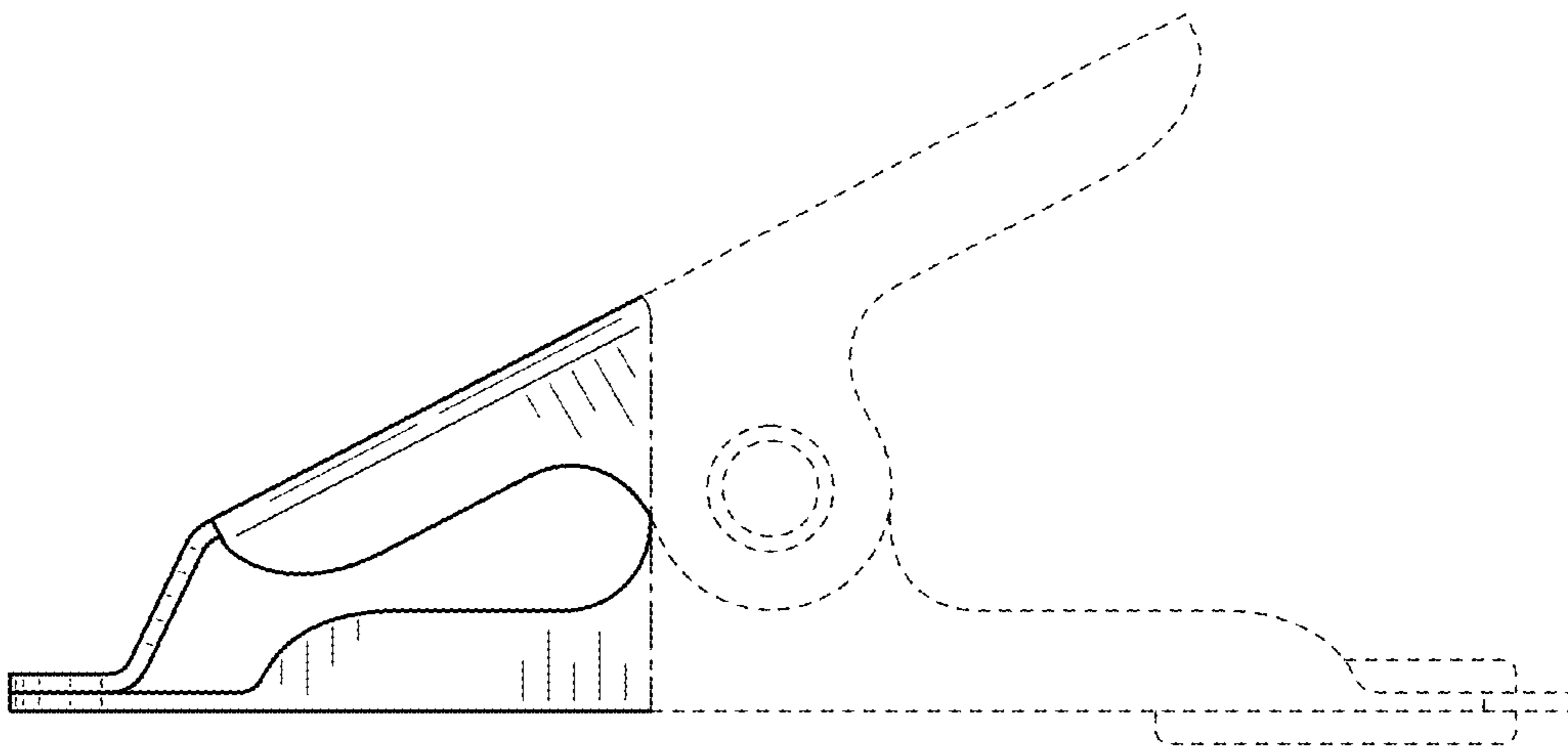


FIG. 2

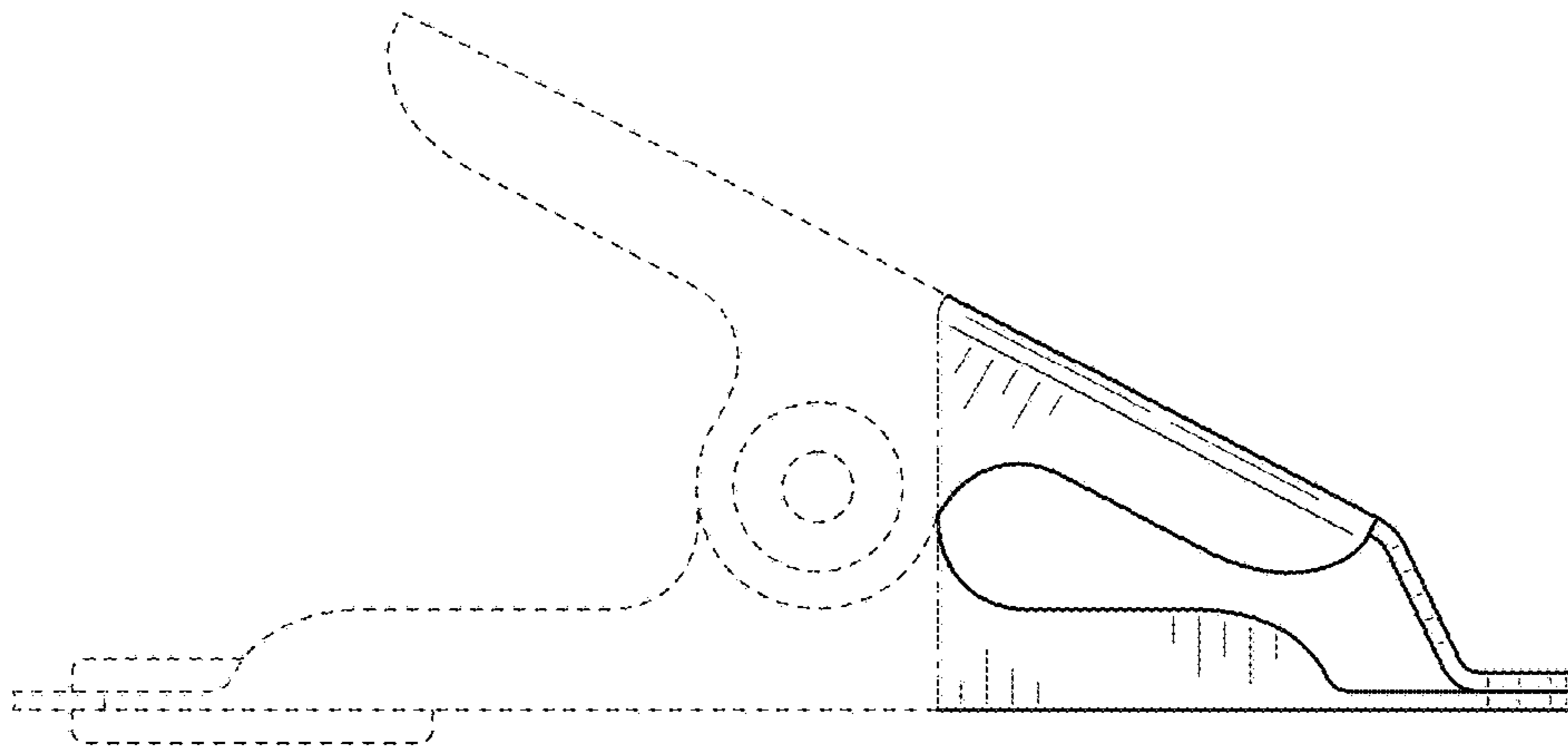


FIG. 3

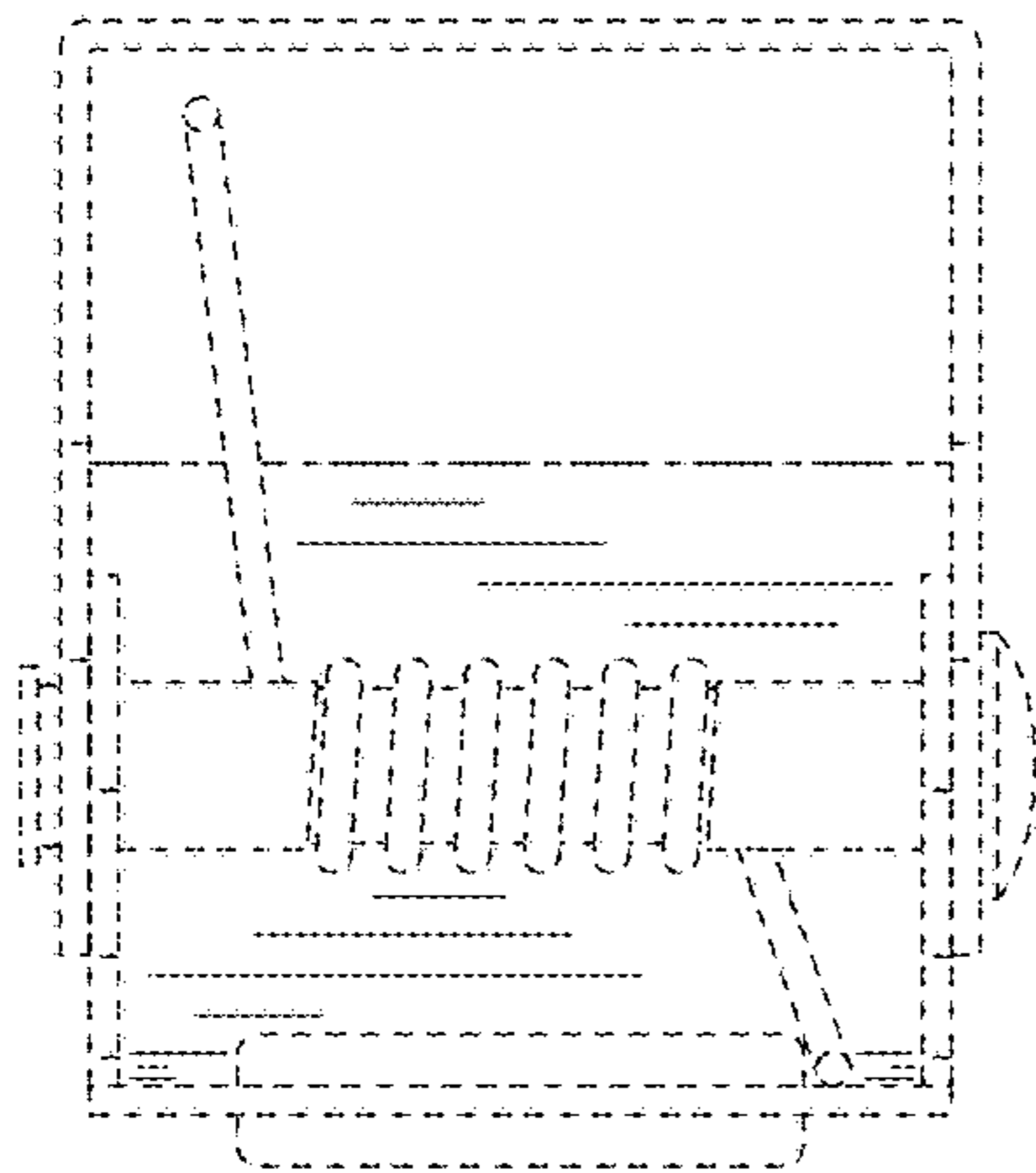


FIG. 4

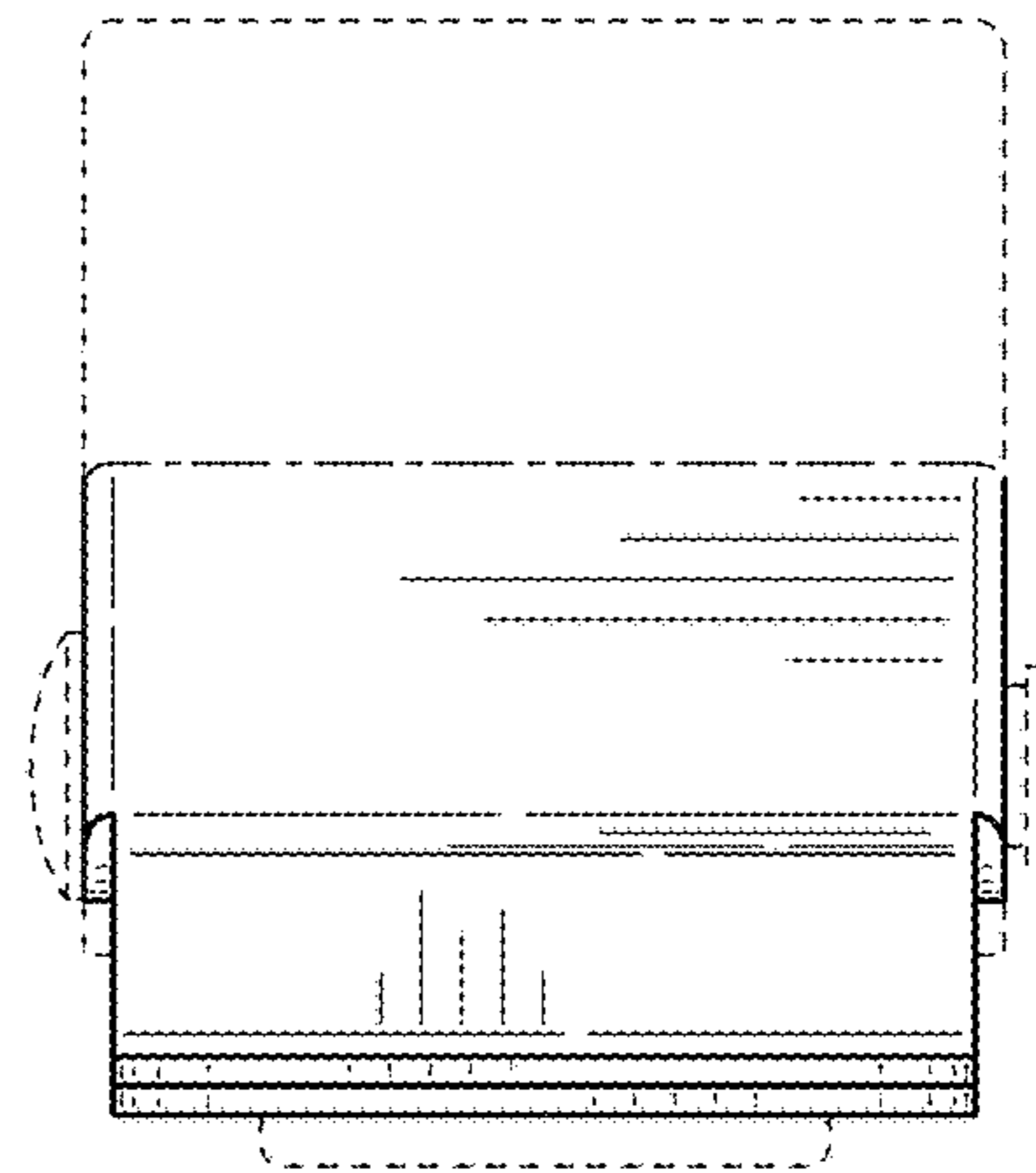


FIG. 5

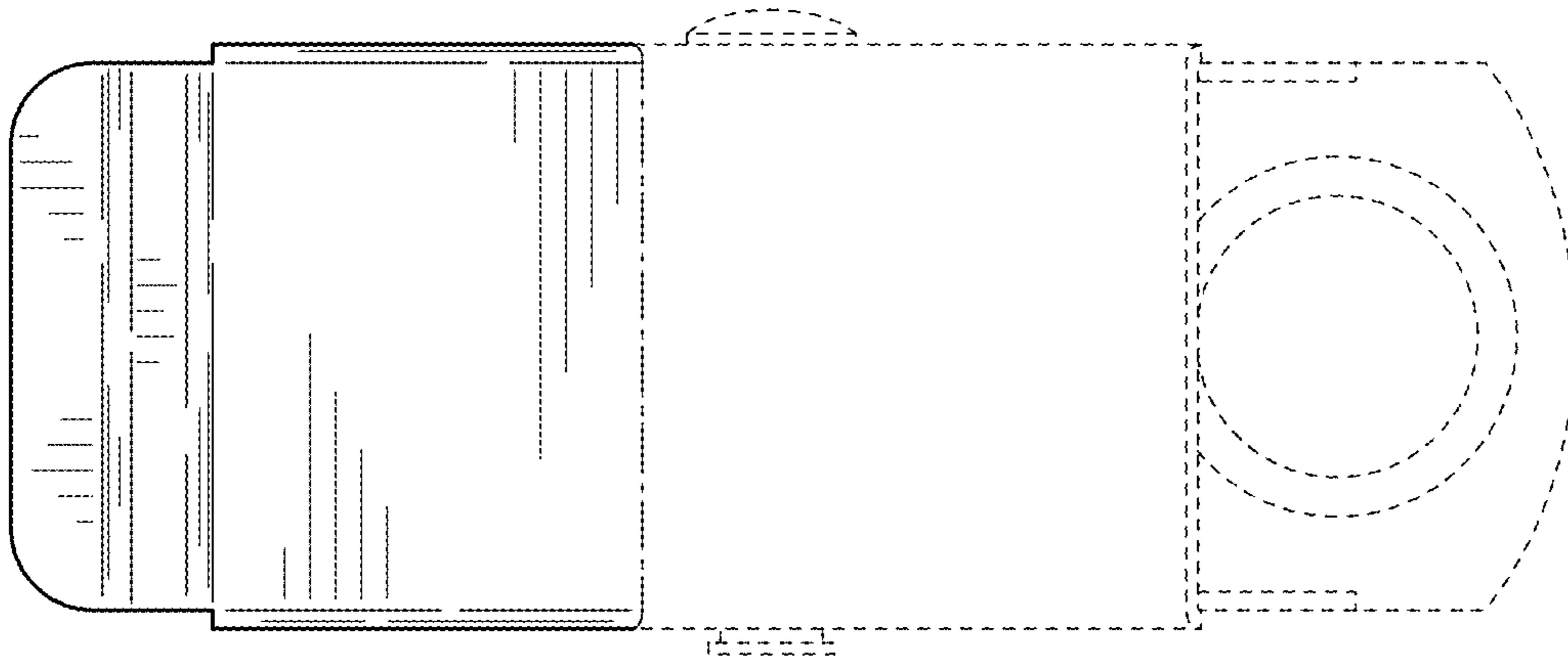


FIG. 6

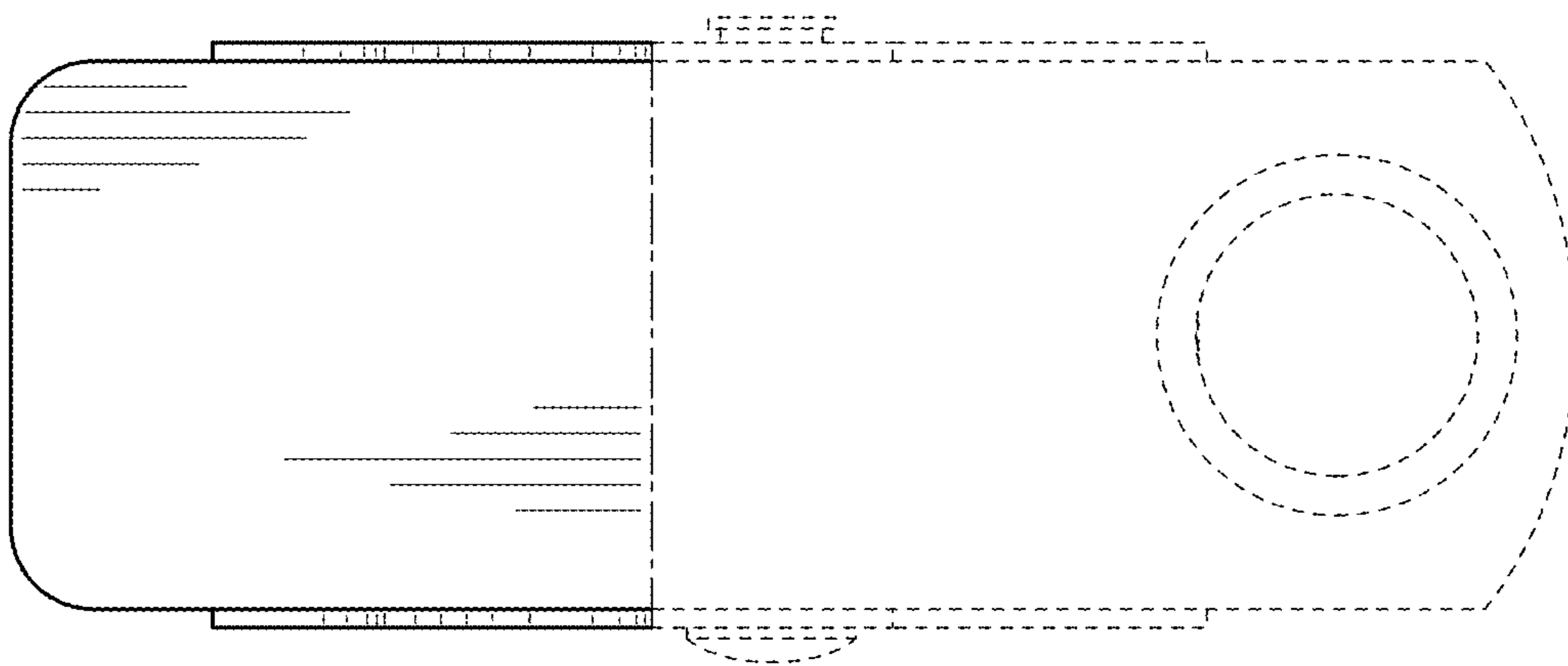


FIG. 7

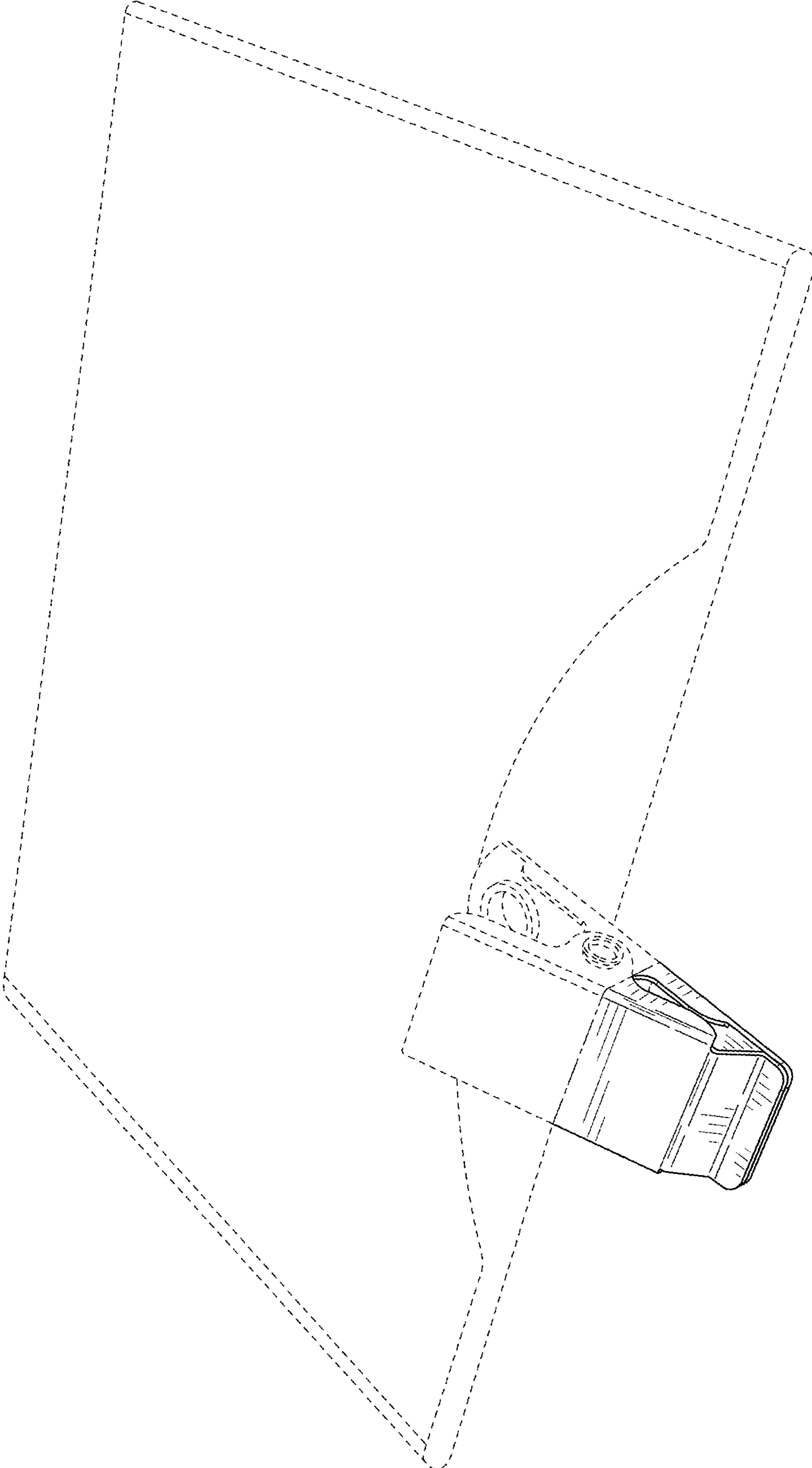


FIG. 8